

**NOTE: For installation of Somerton Smart Back Outlet Bowl, please refer to installation instructions included with the Somerton Smart Back Outlet bowl.**

# caroma®



**Somerton Smart**  
**1.28/0.8 gpf (4.8/3 lpf)**  
**Easy Height Elongated**  
**Dual Flush Toilet**  
**Bowl #829109**  
**Tank #810788**  
**Vitreous China Dual Flush**  
**Two Piece Washdown Toilet**

**PLUMBER'S INSTALLATION INSTRUCTIONS. PLEASE READ CAREFULLY BEFORE INSTALLATION.**

**Rough in:**

It is possible to fix the toilet into 10" (255mm) or 12" (305mm) rough in positions by rotating the offset adaptor.

**IMPORTANT:**

Reducing wax ring **MUST NOT** be used when installing this toilet bowl as detailed in Fig.2.

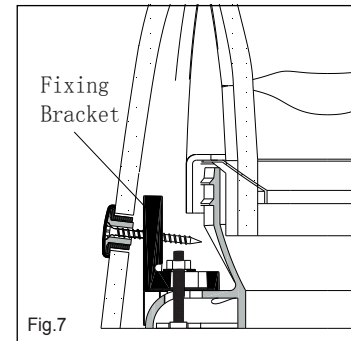
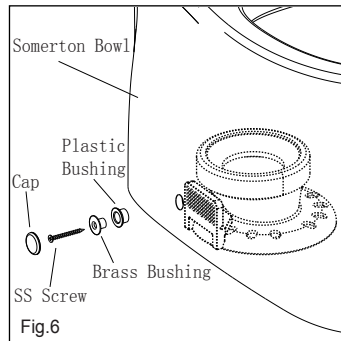
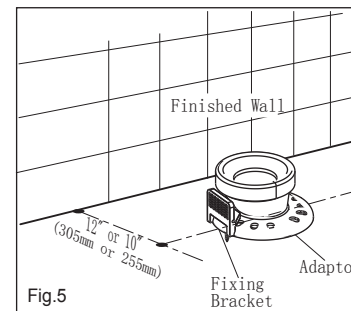
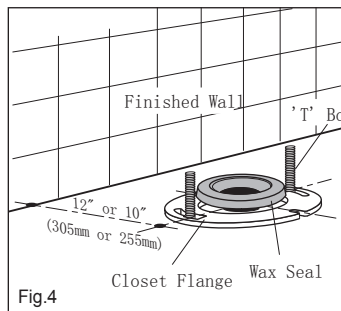
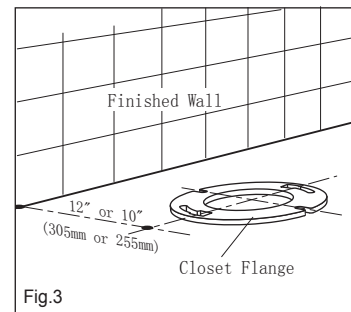
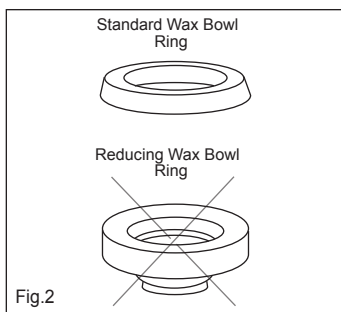
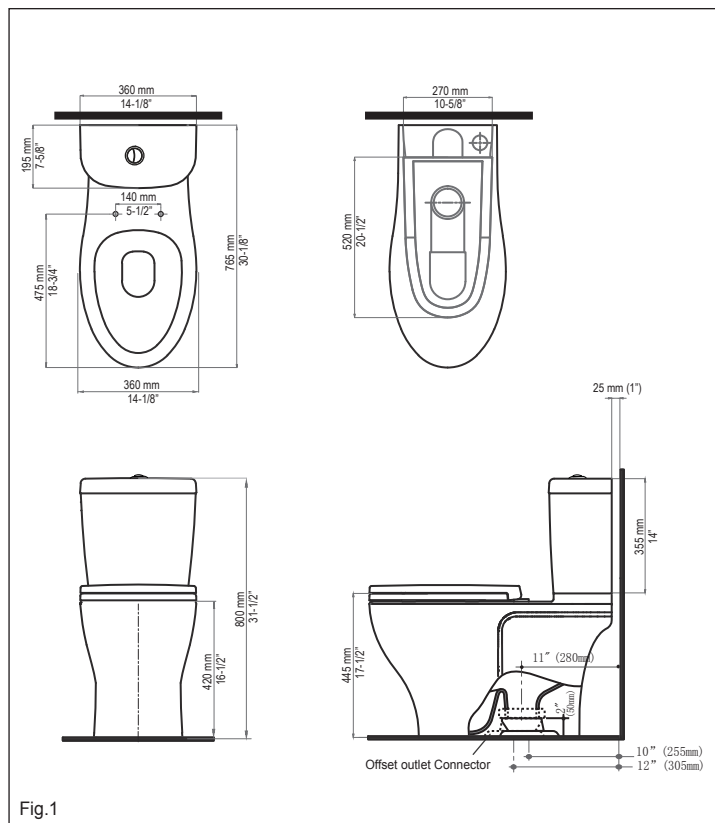
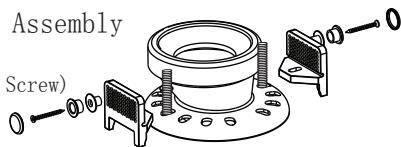
**Working Water Pressure:**

USA & Canada: Recommended working water pressure is 20-80psi (140-550Kpa).

**Closest Bowl Fixing Procedure:**

1. It is important for the installation of Somerton Smart Two Piece Washdown toilet that the closet flange be accurately set out from the finished wall as detailed in Fig.3.
2. Position wax seal and offset adaptor onto 'T' bolts as detailed in Fig. 4 and 5, ensuring that the offset adaptor is positioned for 10" (255mm) or 12" (305mm) rough in as detailed in Fig.1.
3. Place fixing bracket onto 'T' bolt and secure it by hand tightening nuts and washers onto the 'T' bolts. Apply an additional turn for final installation as detailed in Fig.5.
4. Ensure that the area around the closet bowl is clean and free from building materials.
5. Accurately align the closet bowl over the offset adaptor and lower into position.
6. Insert the plastic bushing and brass bushing into the Bowl fixing hole as shown in Fig.6. Secure the bushings through the holes in fixing bracket with SS screws as shown in Fig. 7. Spacing between the outside of the Somerton bowl and the fixing bracket can vary. To ensure the best possible installation 2 lengths of SS screws have been supplied. Start with the shorter 30mm (1-3/16") set of SS screws and fasten as shown in Fig. 7. If when fastening there is no resistance, (meaning that the screw has not sufficiently fastened into the fixing bracket), substitute the longer 55mm (2-3/16") screws. Do not start with the longer hardware as you do not want the screws to insert past the fixing bracket into the offset adaptor, as this can affect your seal. Cover it with cap.
7. It is recommended that a bead of silicone caulking is applied fully around base of the closet bowl.
8. Remove any excess silicone caulking.

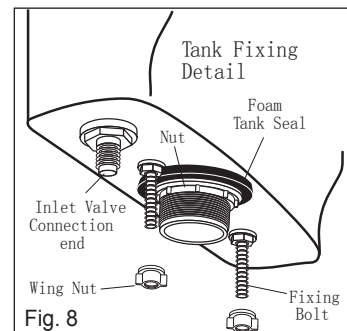
**Fixing Bracket Assembly**  
**687088**  
 (w/ 30 & 55mm Long Screw)



## Somerton Smart 1.28/0.8 gpf (4.8/3 lpf) Easy Height Elongated Dual Flush Two Piece Washdown Toilet Bowl #829109 Tank #810788

### Tank Fixing Procedure:

1. Determine type of water supply connection. Note: Tapered rubber seal and wing nut assembled at inlet valve connection end is for 3/8" hard tube/pipe connection. Remove them if the braided toilet supply line is used.
2. Connect the supplied braided toilet supply line to the end of inlet valve connection. Tighten with a wrench by 1/4 turn. Do not overtighten.
3. Ensure that the foam seal is fitted onto the tail piece on the underside of the tank as detailed in Fig. 8.
4. Lower tank onto closet bowl, allowing the braided toilet supply line and the two tank fixing bolts protruding below the tank to fit through the corresponding holes in the closet bowl.
5. Fit the plastic wing nuts provided onto the tank fixing bolts which are protruding through the closet bowl and gradually tighten the left and right wing nuts by hand to evenly secure tank to closet bowl.
6. Connect water supply and check operation.



All measurements are subject to accepted manufacturing tolerances. To ensure complete accuracy please check actual product dimensions before drilling for installation.

The manufacturer reserves the right to change specifications at any time without giving prior notification.

The product should be installed by a qualified plumber. Local authority, Water Board, and Building Regulations may apply to the installation of this product, and you should consult the appropriate bodies on these requirements. Failure to comply may invalidate the product warranty.

### Tank Spare Parts

#### Inlet Valve Replacement Parts

Code	Part Description
ARA1290002	Rubber Washer
APA1270004	Plastic Housing
A1280	Inlet Valve

#### Outlet Valve Replacement Parts

Code	Part Description
ARA2419001	Outlet Valve Diaphragm Seal
A2423	Outlet Valve
A361051	Top Button

### CLEANING INSTRUCTIONS FOR VITREOUS CHINA:

To preserve the glazed surface, this toilet should be cleaned only with a mild household detergent or warm soapy water. Do not use any abrasive cleaners in the tank or bowl as this can damage the glazing. Use of in tank cleaners or bleach tablets may void warranty. For spare parts contact:

## Sustainable Solutions

Under license from Caroma Industries Limited, Australia  
 Manufactured by Sustainable Solutions  
 Los Angeles, CA + Vancouver, BC  
 Telephone: (604) 430.2020  
 Fax: (604) 430.5050  
 Toll Free: (800) 460.7019  
 help@sustainablesolutions.com  
 www.caromausa.com www.sustainablesolutions.com

