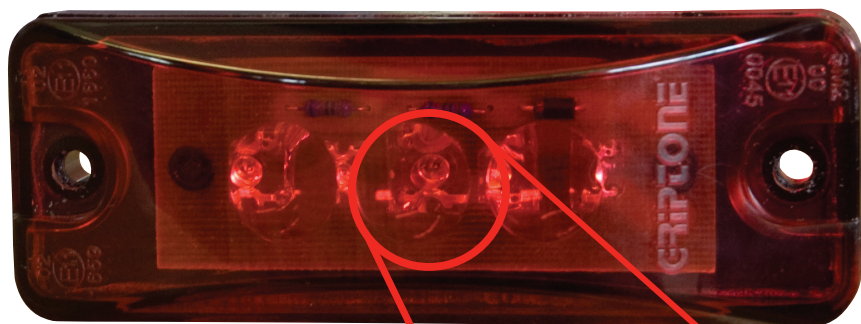


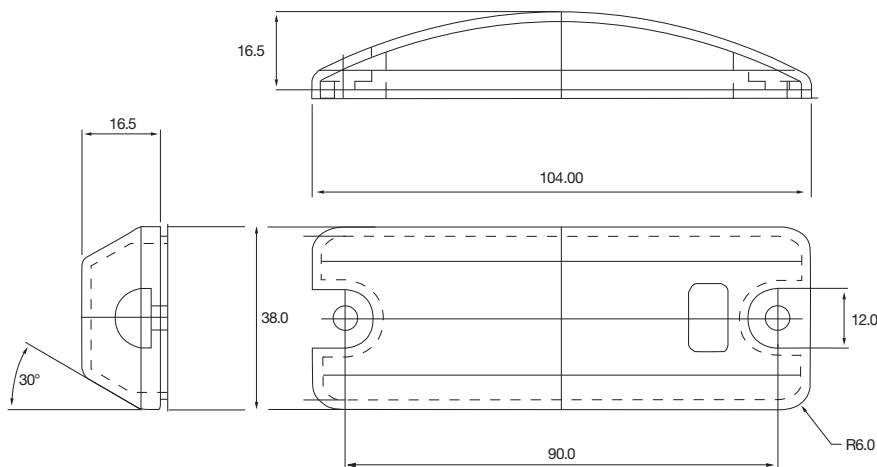
LED

'outline marker lights'



- Low voltage LED
- Optional flashing feature
- Slimline, easy fit

dimensions



variants

- 3 LED (front) in White part no. 2000 LW
- 5 LED (rear) in Red part no. 2000 LR
- 3 LED (side) in Amber part no. 2000 LA

technical information

SUPPLY	POWER
12.0V / 24.0V	0.47W / 0.66W
VOLTAGE	CONSUMPTION
14.5V / 28.0V	0.66W / 0.95W

GRIP TONE[®]
the automotive **electrical** component specialist

product

The latest in LED technology and functionality has been developed to produce a series of LED Outline Marker Lights. Designed and manufactured in conjunction with the new and aftermarket industry in mind to ensure we meet the highest standard of customer expectation, whilst bringing to the market a product which will dramatically reduce consumption, ongoing product replacement and maintenance cost.

design features

- offer a minimum of 7 years life - drastically reducing maintenance costs
- current consumption a fraction of a tungsten filament lamp
- can be vertically or horizontally mounted - and cannot be fitted incorrectly
- covered by a standard 3 year warranty
- completely watertight
- reverse polarity protection
- suitable for use on nominal 24V or 12V supply
- manufactured in ABS (base) and acrylic (lens)
- cable entry is potted
- designed for Retrofit 90mm between fixing points as standard fitment