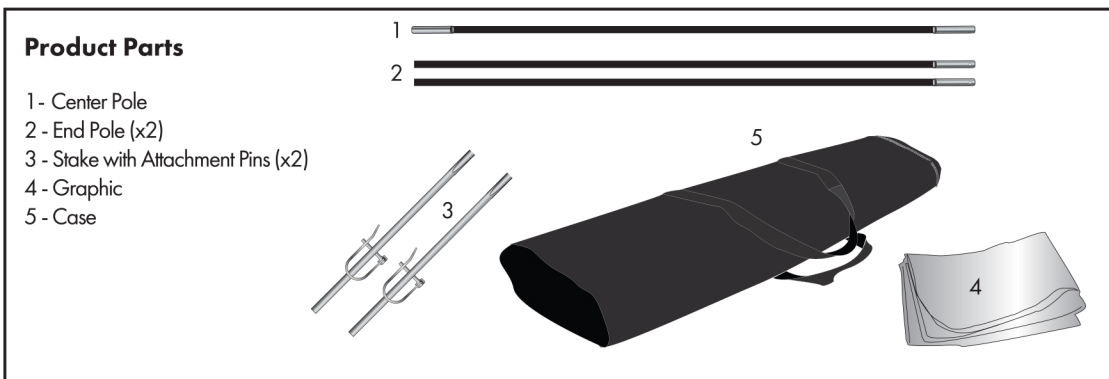


Sunrise Lawn Sign



Display Set-Up

Step 1

Assemble End Poles (2) to Center Pole (1).

Step 2

Push assembled pole through pole pocket of Graphic (4).

Step 3

Set End Poles (2) into Stake (3) opening.

Step 4

Unclasp Attachment Pin on Stake (3) and slide loop sewn onto Graphic (4) over pin and re-clasp.



Step 5

Push stakes of assembled display into desired location in ground soft enough to accept Stakes.



Storage & Care

Place all product parts into Carry Case and store in a cool dry location.
Machine wash on gentle cycle using mild detergent. Tumble Dry No Heat. Do NOT dry clean, Do NOT Iron.