

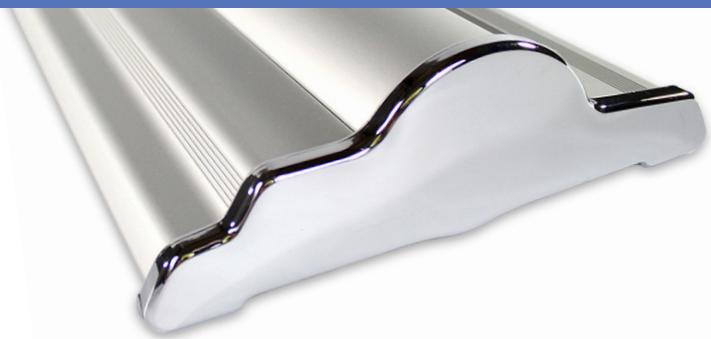
# SILVERSTEP® TABLETOP 24"

RETRACTABLE BANNER STANDS

PRODUCT CODE: SSTT24



On frame On graphic



## PRODUCT DESCRIPTION

Durable and uniquely designed, this aluminum stand is the perfect combination of versatility, appeal, and affordability.

**DISPLAY DIMENSION** 25.5" W x 9.5" H x 3" D

**GRAPHIC DIMENSIONS** 24" W x 85" to 92" H

## GRAPHIC MATERIAL

Super Flat Vinyl or Fabric

## GRAPHIC FINISHING

5" Bleed at the bottom

## DISPLAY CONSTRUCTION

Sturdy Aluminum Construction

## SHIPPING WEIGHTS & DIMENSIONS

SINGLE BOX - 1 Unit

**Shipping Weight** 12 lbs (stand only)  
13 lbs (frame and graphic)

**Shipping Dimensions** 31" H x 13" W x 6" D

MASTER BOX - 4 Units

**Shipping Weight** 51 lbs (stand only)  
52 lbs (frame and graphic)

**Shipping Dimensions** 30" H x 27" W x 12" D

## LARGE QUANTITY FREIGHT

Master Box - Freight Shipping 12 boxes per 48" L x 40" W x 42" H skids

Master Box - Freight Weight 153 lbs (frame only)  
156 lbs (frame & graphic)

## GRAPHIC TURN AROUND TIME

2 to 3 business days after proof approval

## AVAILABLE ACCESSORIES

Silver Clamp Light (35 Watts) Silver Clamp Light LED

Silver Light (50 Watts) Black Light (50 Watts)

Silverstep Magnestic Connector

**AVAILABILITY** CA and PA



Black Base  
(Optional)



Black Clamp Bar  
(Optional for Super Flat Vinyl)



Silverstep Magnetic Connector  
(Optional)

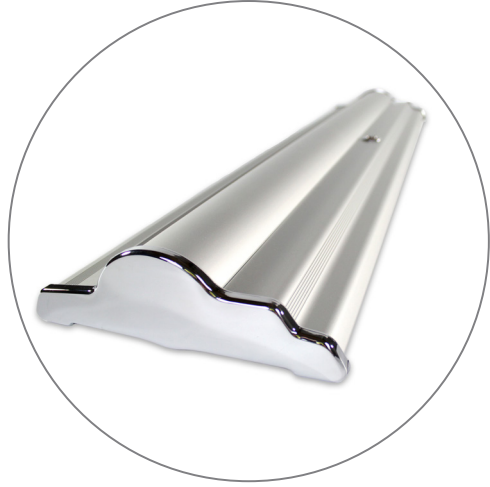


Black Hook & Loop Bar  
(Optional for Fabric)

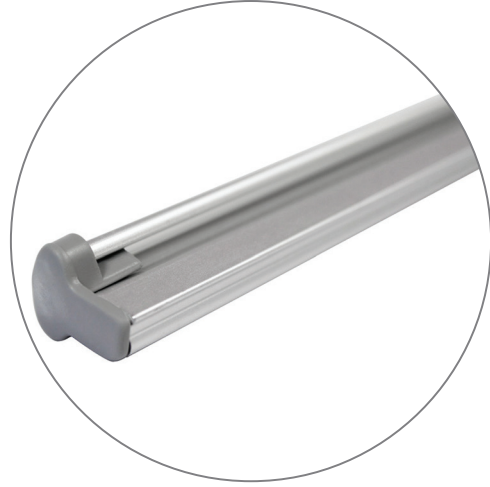


Silver Hook & Loop Bar  
(Optional for Fabric)

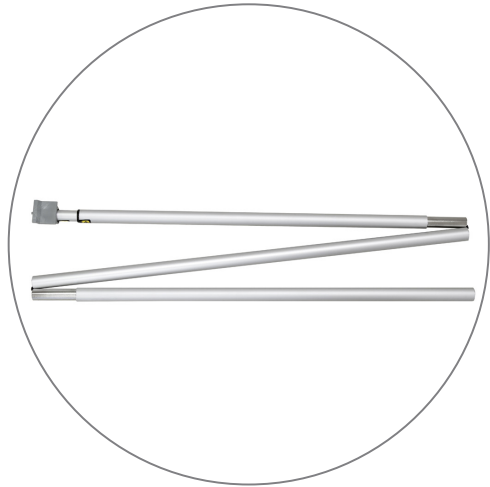
PARTS LIST



Qty 1 - Silverstep Stand



Qty 1 - Clamp Bar



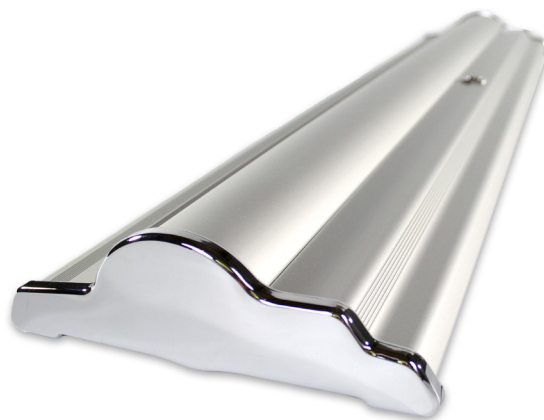
Qty 1 - Telescopic Support Pole  
(2-sectional poles for 45" & 54".  
3-sectional poles for 63" & 76".)



Qty 1 - Silver Travel Bag

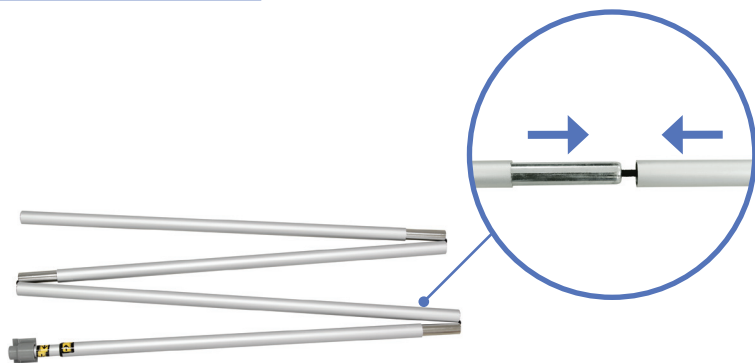
## SET UP INSTRUCTIONS

### Prepare Banner Stand

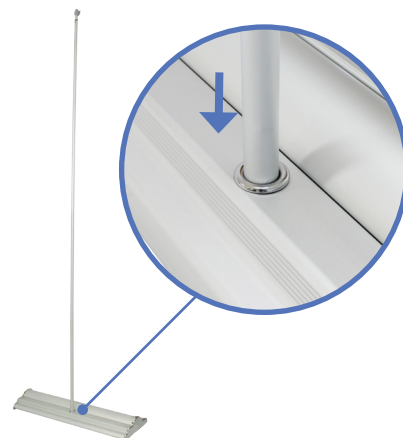


a. Remove Silverstep Stand out of bag.

### Install Telescopic Pole

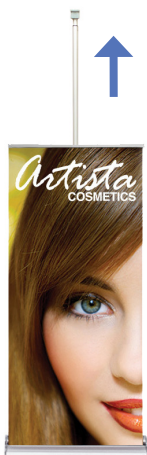


a. Assemble telescopic pole.



b. Insert telescopic pole into hole of the base stand.

### Pull Up Banner



a. Pull banner out of base.



b. Attach telescopic pole to the clamp bar.  
Adjust pole to desired height.



c. Complete stand.

## SET UP INSTRUCTIONS

### Install Magnetic Connector



a. Pull off end caps from Silverstep.



b. Push connector piece until it locks in position.



c. Connect another Silverstep onto it.

### Complete Connection

