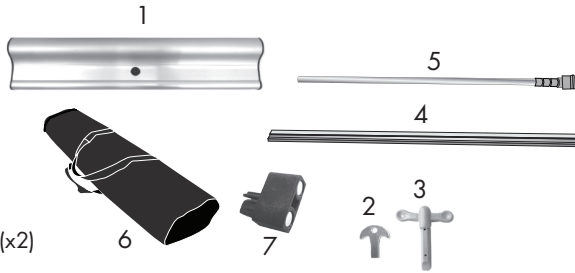


# MagnaLink Retractor

## Product Parts

- 1 - Base
- 2 - Detensioning Key
- 3 - Tensioning Key
- 4 - Snap Rail
- 5 - Telescoping Pole\*
- 6 - Case
- 7 - Magnetic Snap Rail Endcap (x2)



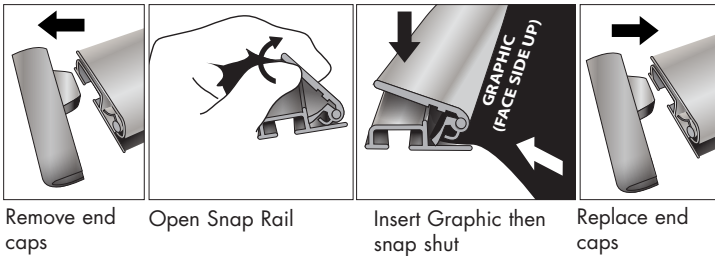
\*Two poles supplied with 60" hardware.



## Graphic Installation

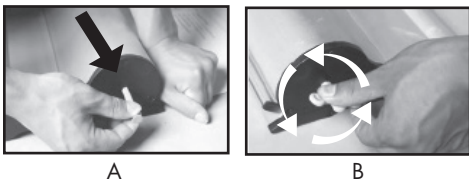
### Step 1

Starting on a clean flat surface remove both Magnetic Snap Rail Endcaps (7) from the Snap Rail (4) and open it. Fully insert the top edge of the graphic into the groove of the Snap Rail (4) and snap it shut. Replace endcaps.



### Step 3

Slightly pull graphic and firmly hold onto it and remove the spring key (A) (locted on right side of Base (1)). Allow the graphic to go into the base. If you desire more tension you can fully insert Tensioning Key (B)(3) into opening. Slowly turn Tensioning Key (3) until enough tension is created, you will hear the spring "click" as you turn the key.



### Step 2

Align the graphic with printed side up to the top of the hook on the leader. Firmly and evenly press the loop on graphic onto the hook of the leader.



## Replacement of Existing Graphic

### Step 1

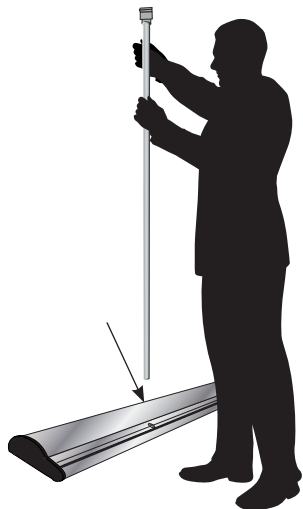
If you are replacing an existing graphic, turn the Base (1) upside down and locate the Tension Release label and slot. Insert the Detensioning Key (2) and press. Expect that the detensioning of the spring will be loud. Once the Base (1) is detensioned repeat steps 1 through 3 for installation.



## Display Set-Up

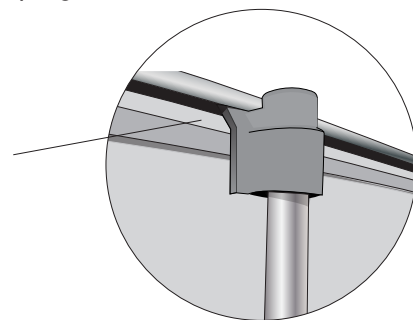
### Step 1

With Base (1) placed at your desired location, insert Telescoping Pole (5) into hole on the back of the Base (1).



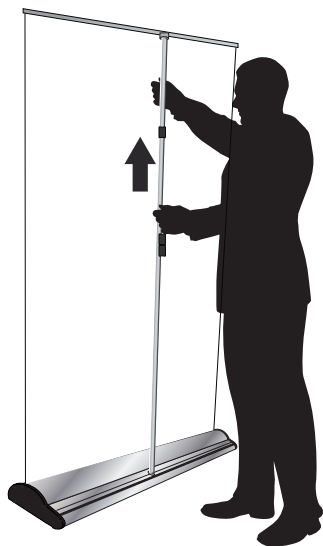
### Step 2

Lift the Snap Rail (4) up by grabbing each side of the rail with both hands. Raise graphic and attach the Snap Rail (4) to the top of the Telescoping Pole (5).



### Step 3

To raise graphic, unlock bottom flip lever on Telescoping Pole (5), raise pole, and relock flip lever. Repeat this step until you reach your desired height.



## Multi Panel Display Set-Up

### Step 1

Butt Bases (1) together and adjust graphics to be same level. Snap Rails (4) and Bases (1) will magnetically connect together.



Note connection will not be seamless.

## Storage and Care

Place all product parts into Soft Carry Case and store in a cool dry location.