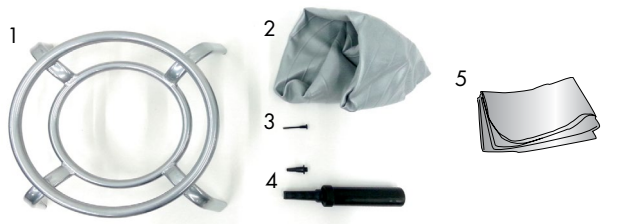


# Boost Ball Chair

## Product Parts

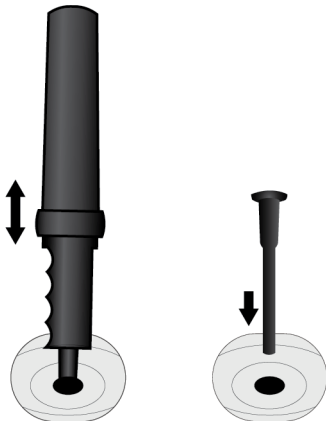
- 1 - Chair Base
- 2 - Inflatable Ball
- 3 - Ball Valve
- 4 - Pump
- 5. Graphic



## Setup

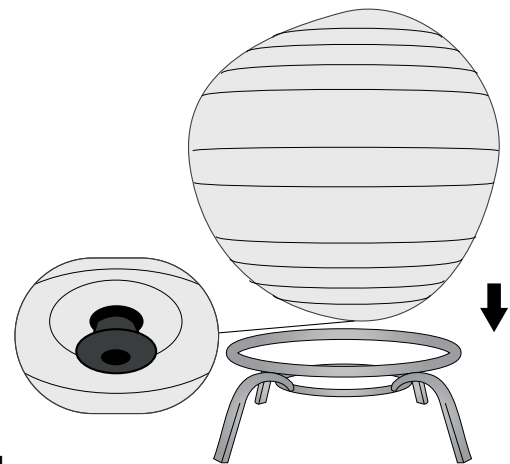
### Step 1

Partially inflate ball roughly quarter way by inserting Pump (4) into hole of Inflatable Ball (2). Press Ball Valve (3) into the Inflatable Ball (2) hole to stop air flow.



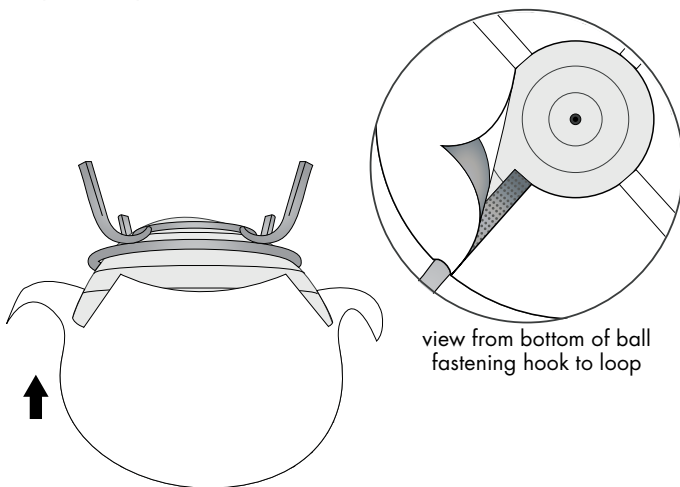
### Step 2

Place partially inflated ball above circles of Chair Base (1) so that the Ball Valve is positioned on the bottom of the ball.



### Step 3

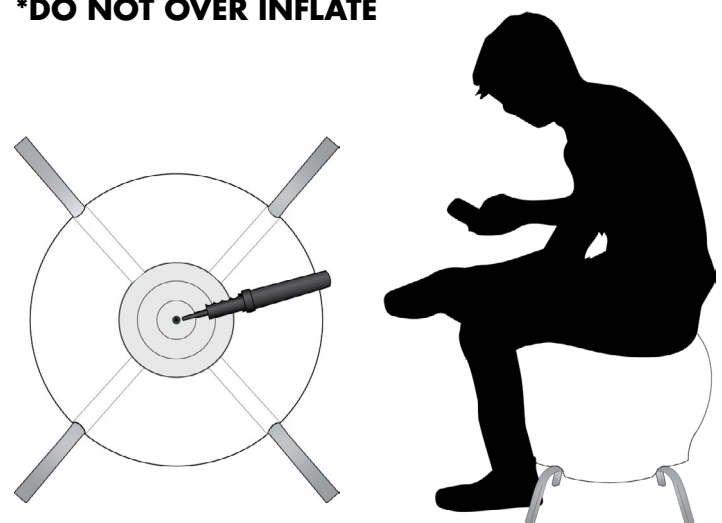
Begin to wrap graphic over the partially inflated ball. Hold onto ball with base and flip both on their end. Fasten hook and loop of graphic over all legs of chair base.



### Step 4

Once graphic is fastened and positioned. Fully inflate ball and flip base on it's feet.

**\*DO NOT OVER INFLATE**



## Storage & Care

Store in a cool dry location. Recommended for indoor use only.