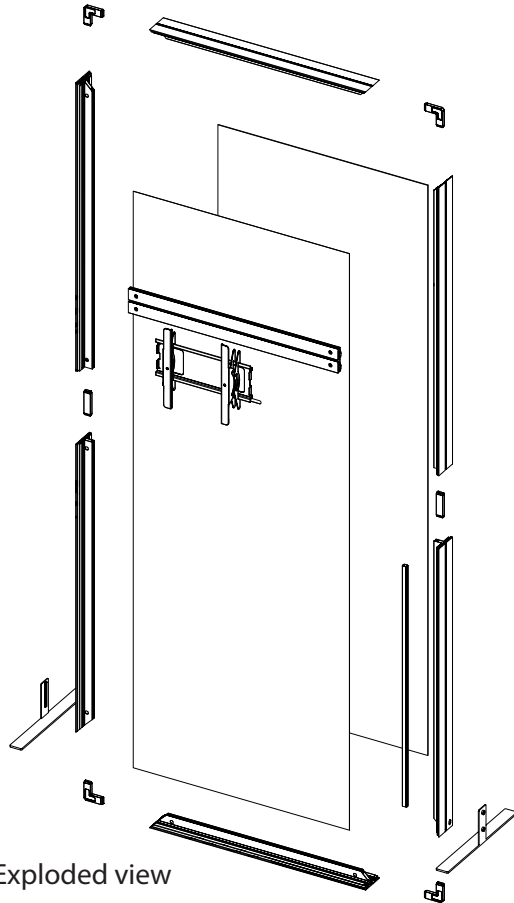
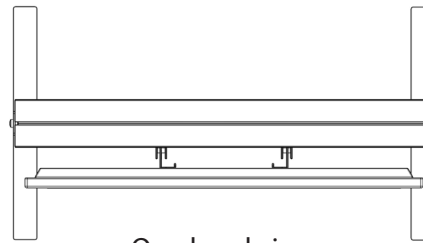


Parts Included

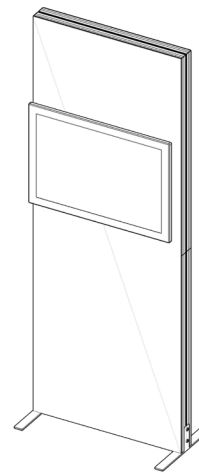
Code	Qty	Description
F29	x2	900MM (35.43") LENGTH OF PHFC4 EXTRUSION - WITH MITRE CUT FOR CB9 BOTH SIDES
F27	x3	1200MM (47.25") LENGTH OF PHFC4 EXTRUSION - WITH MITRE CUT FOR CB9 ONE END - IB2 LOCK HOLES ONE END
F60	x1	1200MM (47.25") LENGTH OF PHFC4 EXTRUSION - WITH MITRE CUT FOR CB9 ONE END - IB2 LOCK HOLES ONE END WITH WIRE CHASE HOLE
VE-94	x1	900MM LENGTH OF PS2 EXTRUSION CUT DOWN TO 873MM WITH LOCKS ON BOTH ENDS (INSIDE)
VF-MK-01-CC-G	x1	900MM (35.43")W X 2400MM (94.5")H FABRIC GRAPHIC W/FEC-2 ALL SIDES
VF-MK-01-OP-LN	x1	900MM (35.43")W X 2400MM (94.5")H OPAQUE LINER W/FEC-2 ALL SIDES
CB9	x4	CB9 CORNER BRACKET
SW-FOOT	x2	VECTOR FRAME SUPPORT FOOT
IB2	x2	PH INLINE CONNECTOR
WME-1000	x2	1000MM (39.37") GREY RPVC WIRE MANAGEMENT EXTRUSION
LN-LCD2-B	x1	MEDIUM MONITOR BRACKET



Exploded view



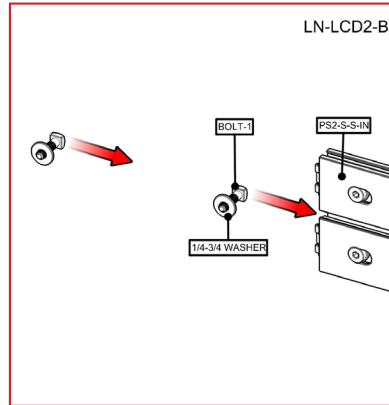
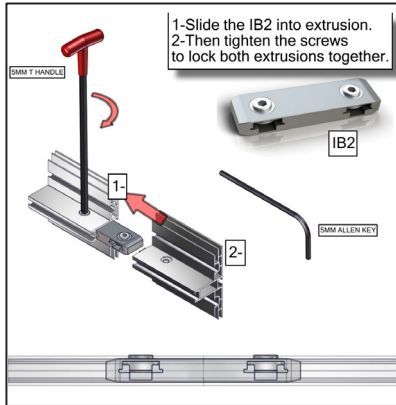
Overhead view



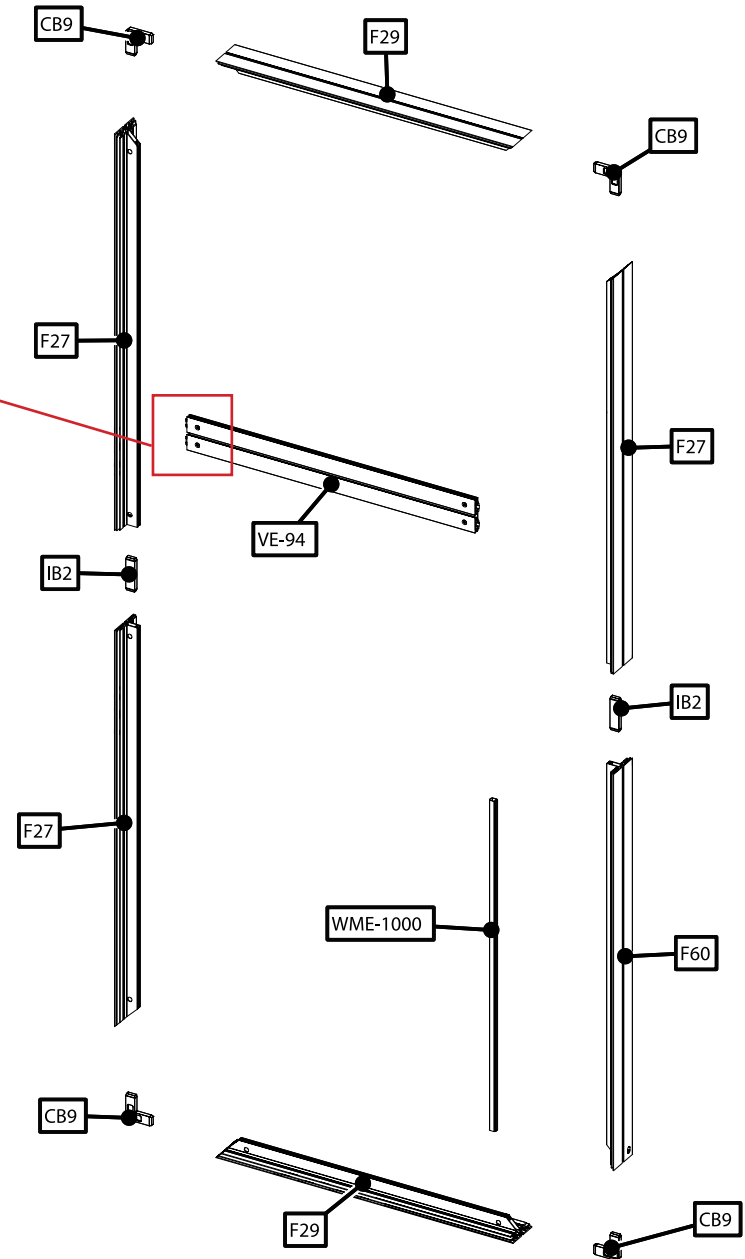
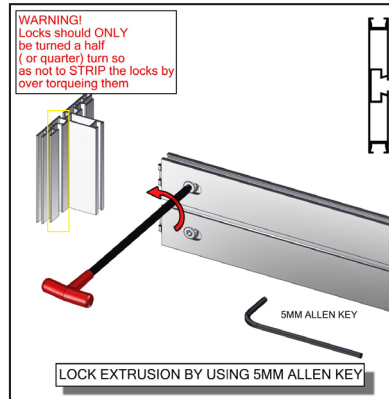
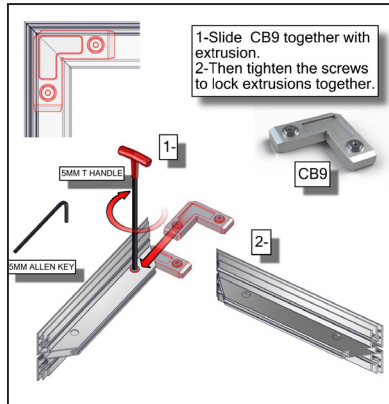
Assembled view

Single Sided Step 1: Assemble Frame

Arrange pieces on the floor as shown in the diagram below. Assemble frame by locking F29s to F27s and F60. When locking be sure to turn each cam a little bit and then go back and tighten to the proper tension. Take care to turn locks only half a turn. Slide two bolts for monitor mount into channel of VE-94 and lock to extrusion at proper height.

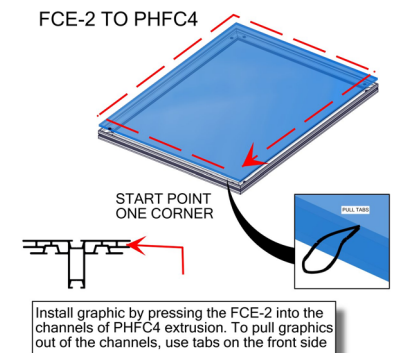
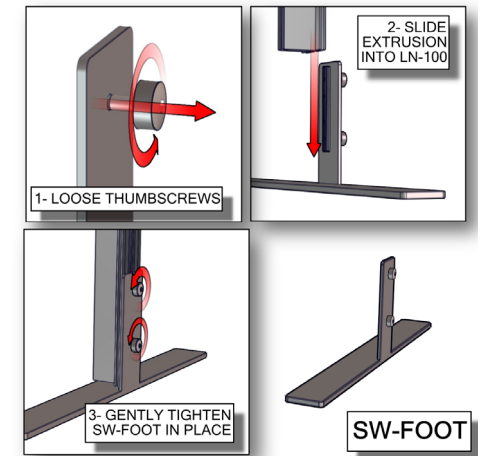
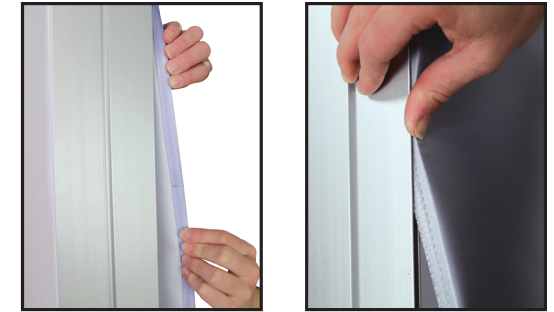
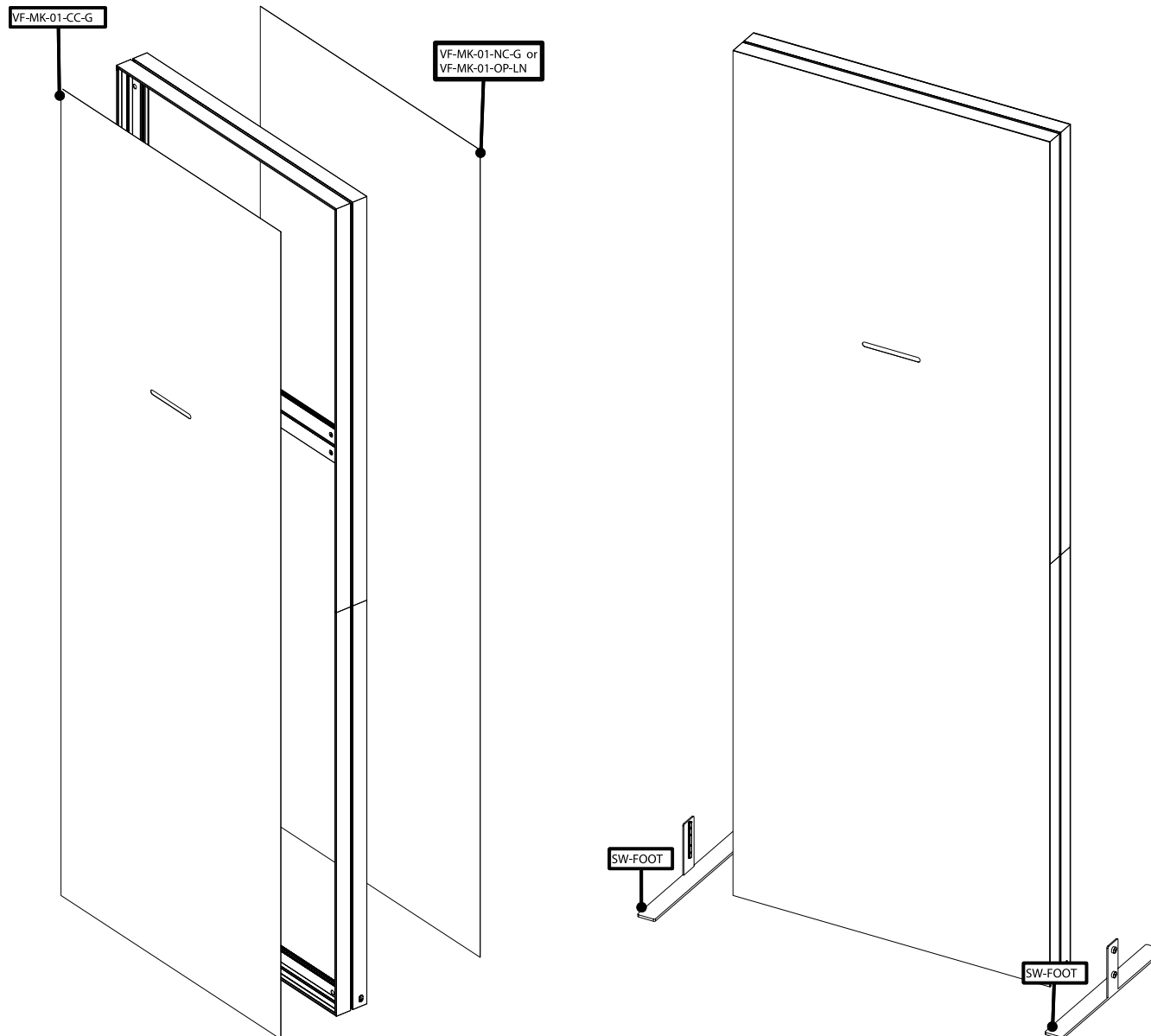


***Very Important!:**
Insert set of
monitor bolts into
VE-95 channel
before securing
extrusion to F27



Single Sided Step 2: Attach feet to frame & apply graphics

To adhere foot to frame, loosen thumbscrews from foot. Slide extrusion into LN-100 groove. Gently tighten the foot into place. Install graphics by pressing the FCE-2 edge of graphic into the channel of the extrusion. Depending on options for back side, graphic will either be opaque or printed fabric. Make sure slit on printed fabric for monitor mount is near top of frame. Start in upper left corner, go across the top and then down the sides to the bottom. Assure each graphic is tightly inserted. When taking graphics off, take care to gently pull by attached pull tab.



Single Sided Step 3: Monitor Mount & Wire Management

Attach monitor mount to bolts in VE-94 at graphic slit. Insert monitor cord into plastic wire management strip and snap on to extrusion channel. Run through hole in frame and connect to power supply.

