

10' Cylinder Tower



features and benefits:

- State-of-the-art 30mm aluminum tube frame with snap button assembly
- Easy to store and ship
- Quick to set up
- Kit includes: one frame and one wheeled molded OCL storage case
- Lifetime hardware warranty against manufacturer defects

dimensions:

Hardware

Assembled unit:
36" w x 120" h x 36" d
914mm(w) x 3048mm(h) x 914mm(d)

Approximate weight:
33.6 lbs / 15.24 kgs

Shipping

Packing case(s):
1 OCL case

Shipping dimensions:
OCL : 57" l x 19" h x 19" d
1448mm(l) x 483mm(h) x 483mm(d)

Approximate shipping weight (with case):
55.6 lbs / 25 kg

Graphic

Refer to related graphic template for more information.

additional information:

Graphic material:
Dye-sublimation zipper pillowcase fabric

When included in a larger kit, a different packaging solution will be listed to accommodate all contents of the kit. Individual packaging no longer provided.

We are continually improving and modifying our product range and reserve the right to vary the specifications without prior notice. All dimensions and weights quoted are approximate and we accept no responsibility for variance. E&OE. See Graphic Templates for graphic bleed specifications.

Included In Your Kit

Connectors, & Tubes



TC-30-S x6



CYL-T1-L x3



CYL-T1-R x3



CYL-02-T1 x3



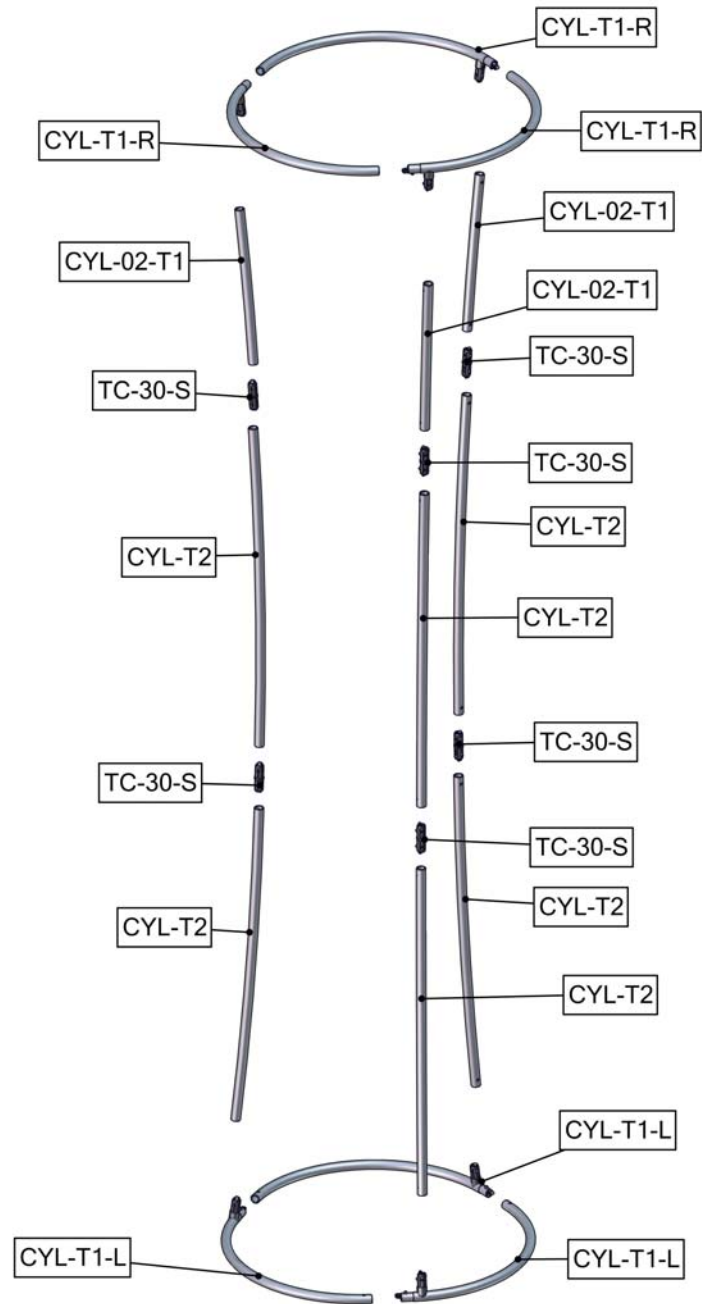
CYL-T2 x6

Graphics

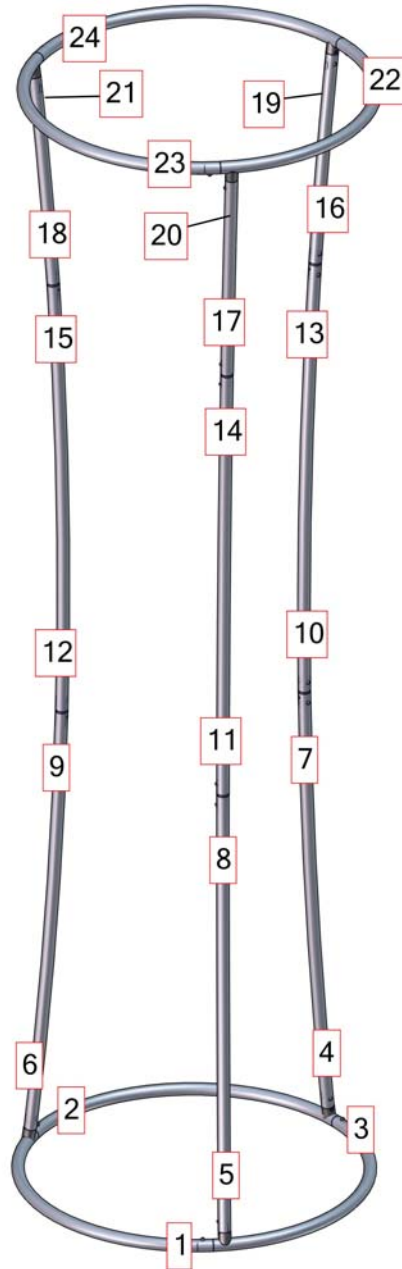


CYL-02-G x1

Exploded View



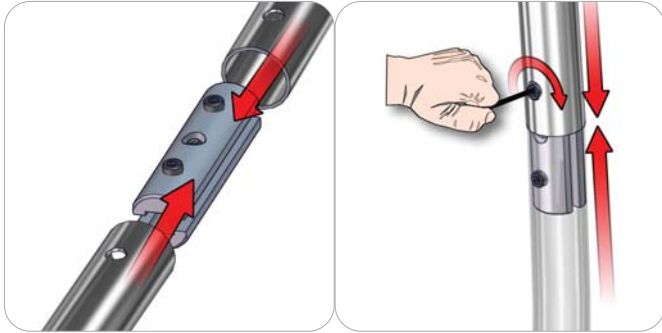
Labeling Diagram



Connection Methods

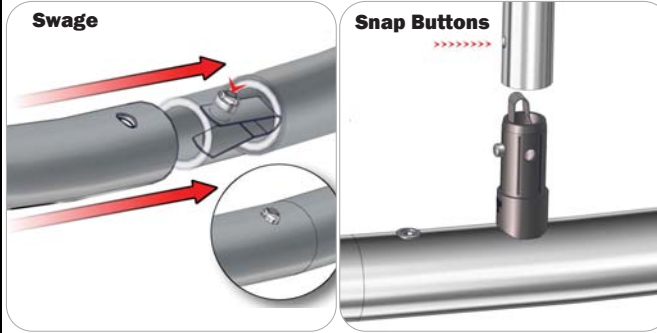
Formulate® structures use a number of different yet simple connection methods. Your kit will include one or more of the connection methods shown below. Steps within the Kit Assembly will reference a specific method for each connection point.

Connection Method 1: ES30 / ES50 / ES75



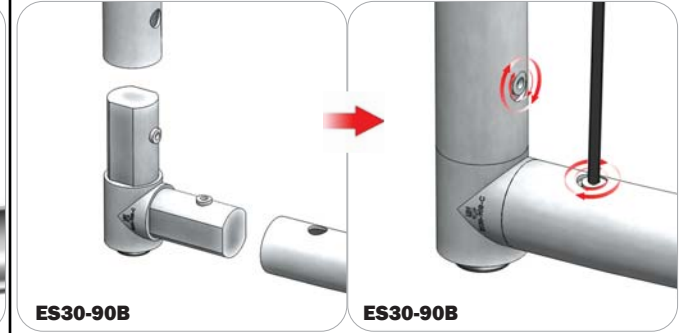
Compress the unlocked connector and slide one tube onto each end. Lock both screws carefully using your allen key tool. Be sure to lock securely, but do not overtighten.

Connection Method 2: Snap Buttons & Swage



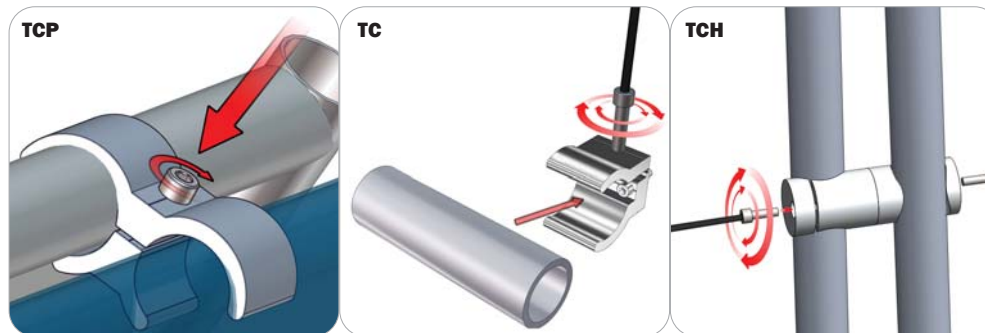
Locate the snap button on the connector or swage tube. Locate the hole on the corresponding tube. Press the snap button with your thumb and slide the tube and connector together so that the snap button snaps fully into the lock hole. To disassemble, press the snap button and pull apart.

Connection Method 3: ES30-90B / ES30-I / ES30-C



Compress one unlocked end of the connector and slide it through one tube end. Compress the other end of the connector and slide on the second tube. Lock both screws carefully using your allen key tool. Be sure to lock securely, but do not overtighten.

Connection Method 4: Tube Clamps



Be sure to fully assemble all frames before using clamps. With the clamp unlocked, place one tube of the first frame into the mouth of the clamp. Place the second tube (if applicable) into the second mouth of the clamp. With both frame's tubes in the clamp, be sure to lock securely, but do not overtighten.

Kit Assembly

Step by Step

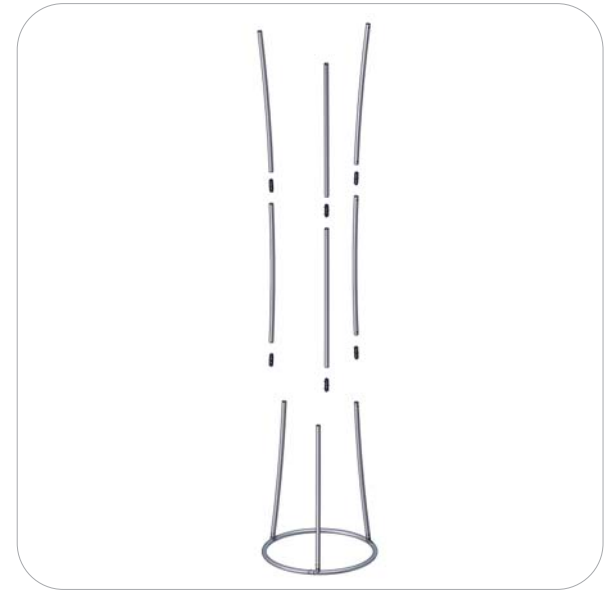
Step 1.

Gather the components necessary for assembling the bottom ring and first section of uprights. Use the exploded and labeling diagrams for component layouts. Reference connection method 2 for more details.



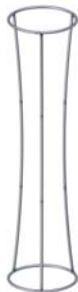
Step 2.

Gather the components necessary for assembling the second and third sections of uprights. Use the exploded and labeling diagrams for component layouts. Reference connection method 2 for more details.



Step 3.

Gather the components necessary for assembling the top ring. Use the exploded and labeling diagrams for component layouts. Reference connection method 2 for more details.



Step 4.

Apply the pillowcase fabric graphic from over the top ring and pulling down to the base ring. Close the zipper located at the bottom ring.

