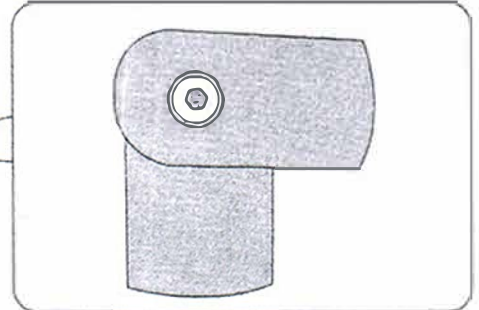
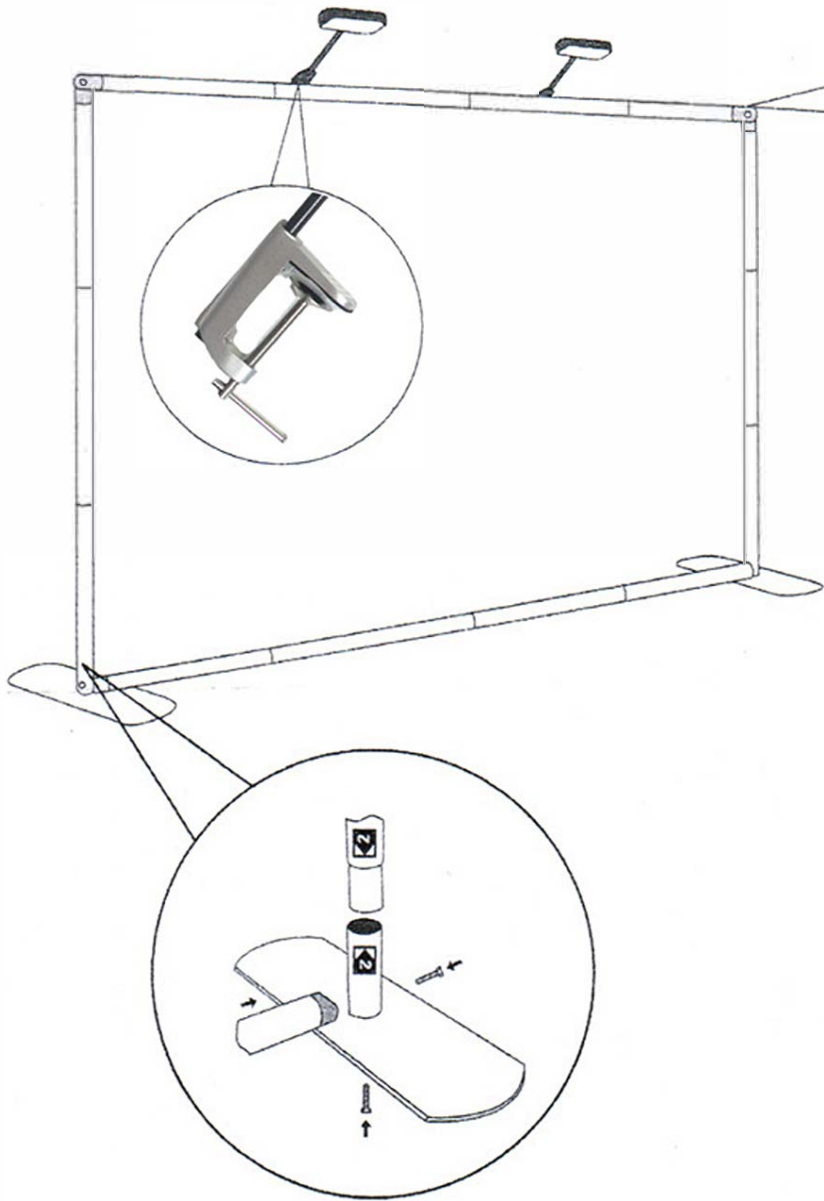


INSTALLATION STEPS

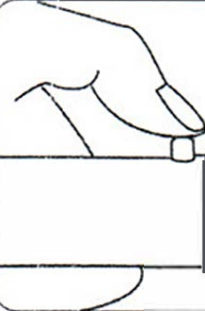


Tighten the screws using the inner hexagon spanner

CONNECT



PRESS



If can't snap when dismantle the frame, Pls push the tube forwardly, then push again.

GRAPHIC



Optional accessories :



EZ Tube LED Light



CAUTION:
PLEASE READ THE INSTRUCTIONS BEFORE INSTALLING PRODUCTS