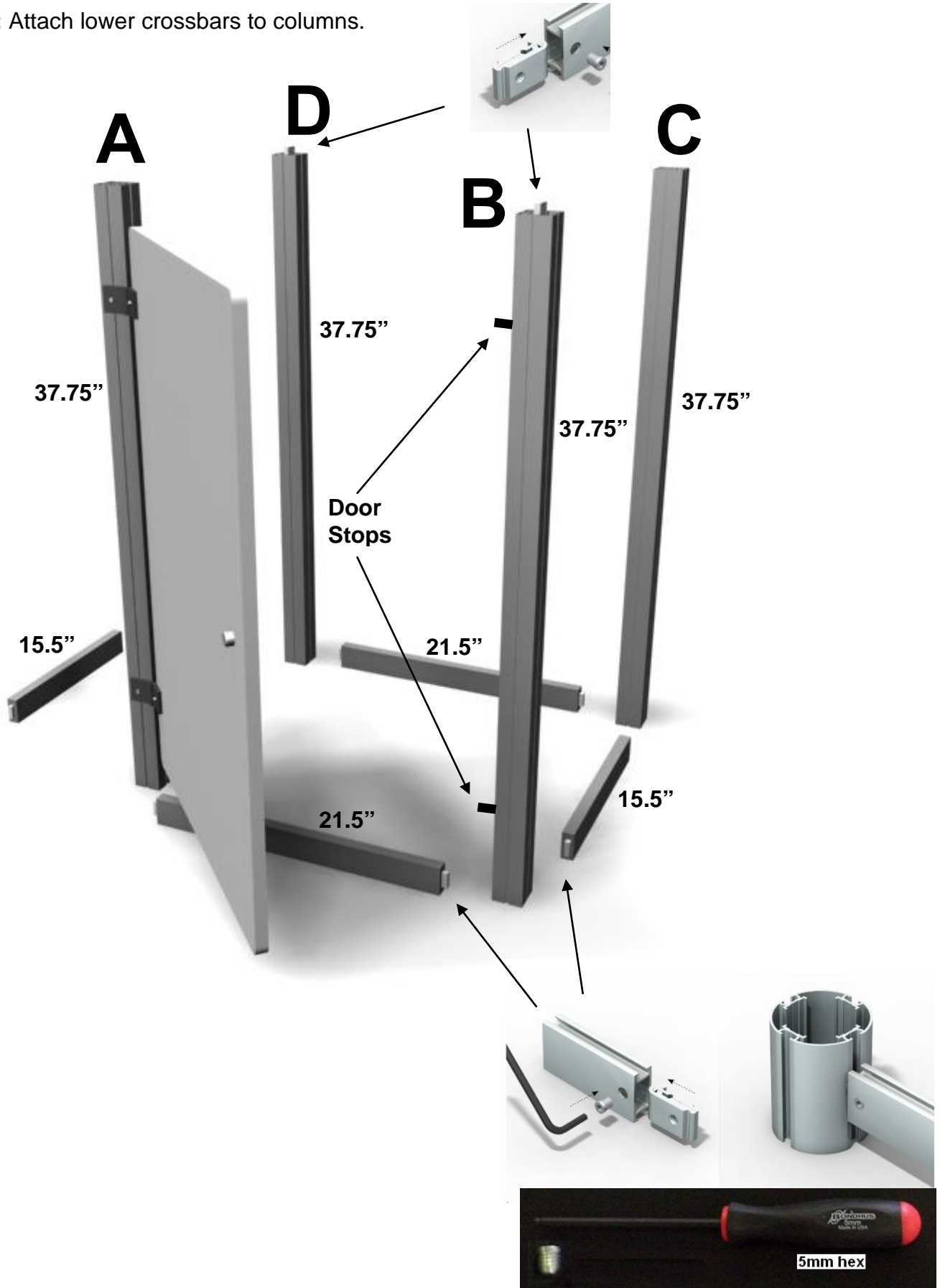
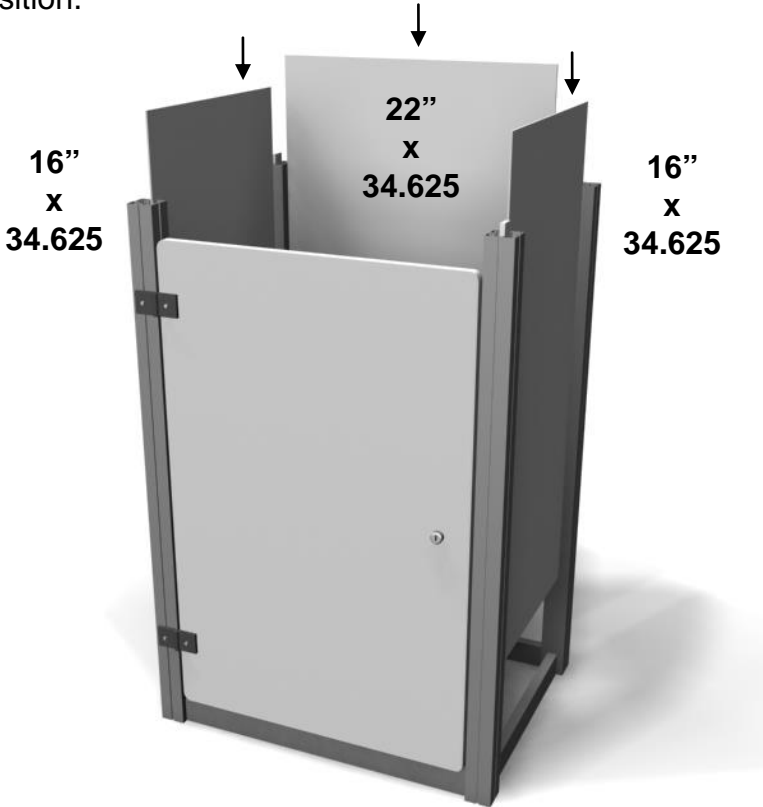


# LGC-XVC4-C

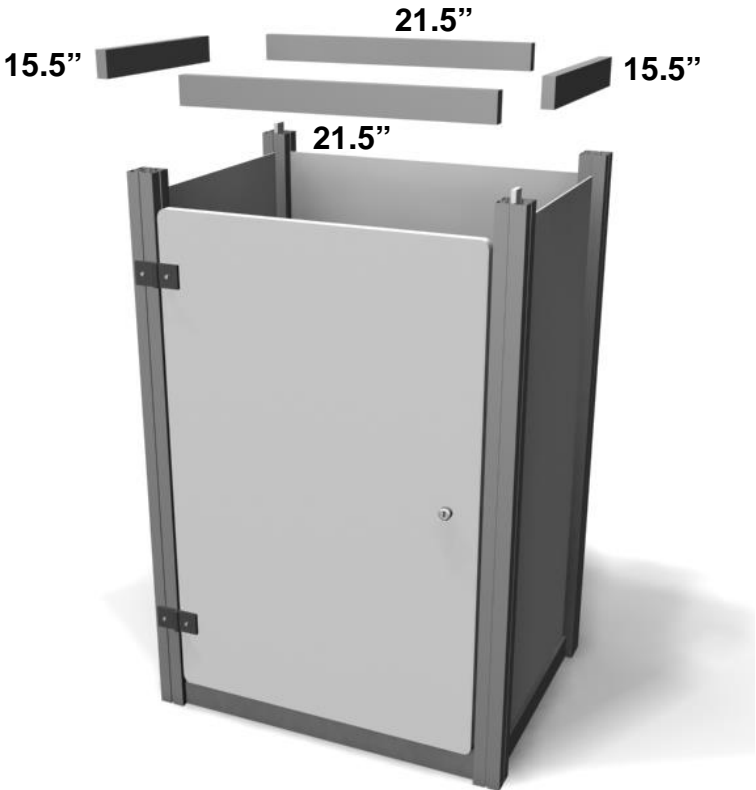
**Step 1: Attach lower crossbars to columns.**



**Step 2.** Slide panels into position.



**Step 3.** Attach upper crossbars.



**Step 4.** Attach counter top to columns.

