

- Assemble both outer rings
- Install base poles
- Install all horizontal poles
- Pull graphics from one end to the other slowly, making sure to evenly covering frame

ARCH

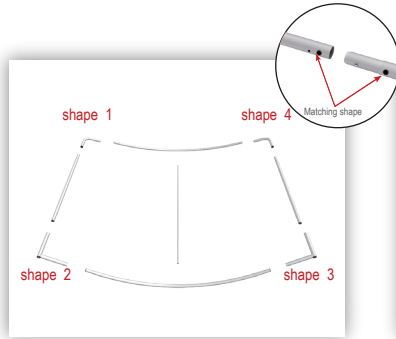
36"d x 228"w x 89"h Curved Arch Display	
Qty.	Part Number
4	WLM#35
4	WLM#113
2	WLM#76
4	WLM#002
2	WLM#11
5	WLM#80
2	WLM#69 base plate
4	WLM#75
1	BGO-FabricXL bag

6' CURVED

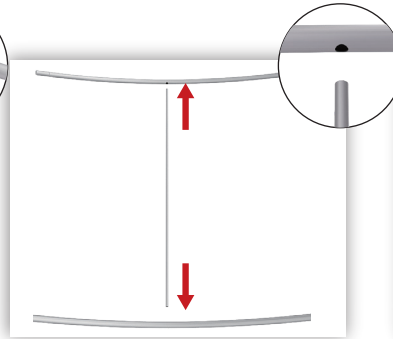
Setup Instructions



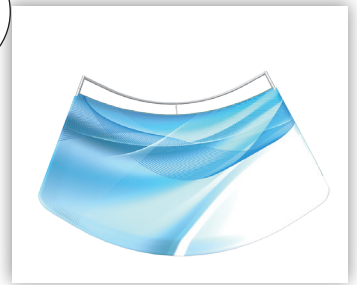
1. Connect poles by pressing and pushing.



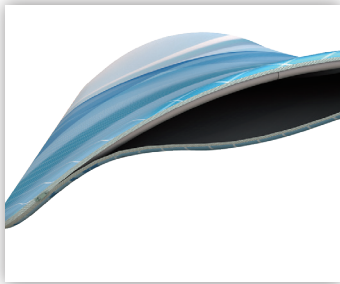
2. Connect corner sections to straight sections with matching shape codes.



3. Insert center support pole



4. Unzip print and lay image face down. Slide print onto frame like a pillow case.



5. Zip the bottom edge of the graphic beyond the center point as shown above. Zip the remaining side and bottom to meet at the corner, attach lights if any.



6. Position lights as desired and clamp in place.



7. Enjoy.



TRIANGLE TOWER

Setup Instructions



1. Extend and lock the support poles.



2. Place the 3 poles with the holes facing up.



3. Insert center support brace. Secure with supplied hex key.



4. Place counter top onto poles. Tap down with hand to secure.



5. Slide fabric graphic wrap onto hardware. Align seam to center of back of counter.



6. Feed the rubber profile in to the groove, make sure the fabric is even all around.



7. Make sure that the fabric seam where the zipper is vertical.



8. The zipper on the back is used to access inside the unit.



9. Now assemble the top 3 poles and make sure that they are secure.



10. Slide the plexiglass shelf in place, you need to press the locking buttons to lower them.



11. Enjoy.



Shipping Case to Counter Setup Instructions



1. Hardcase with wheels and handle



2. Release fasteners



3. Get all parts out



4. Screw the poles into the case



5. Secure all 4 poles



6. Cover the black skirt or graphic on the bottom



7. Connect the top and poles



8. Place top on poles



9. Pull the black skirt or graphic up



10. Place countertop on display

***** Please Note: Fastening the poles into the base incorrectly may result in damage to the unit**