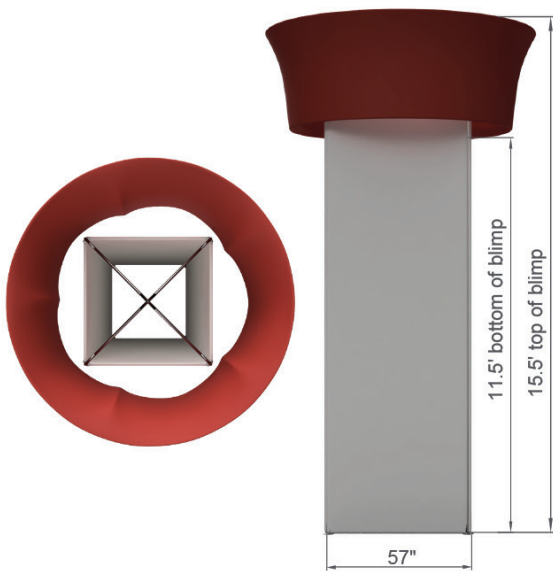
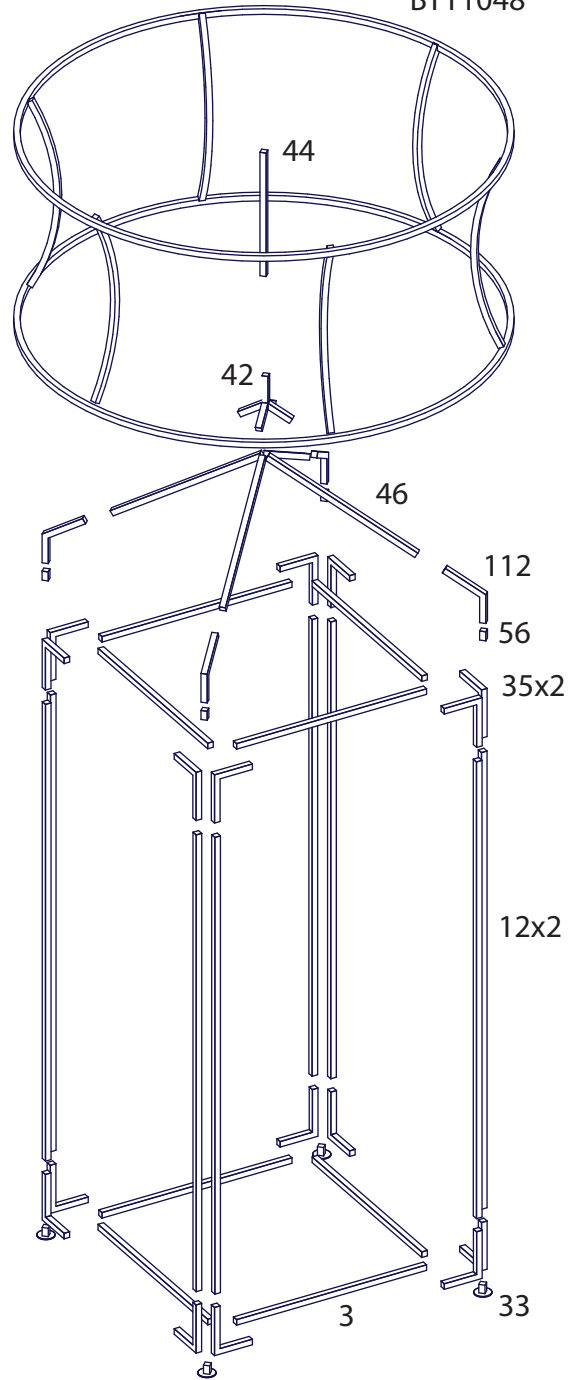


# GODFREY

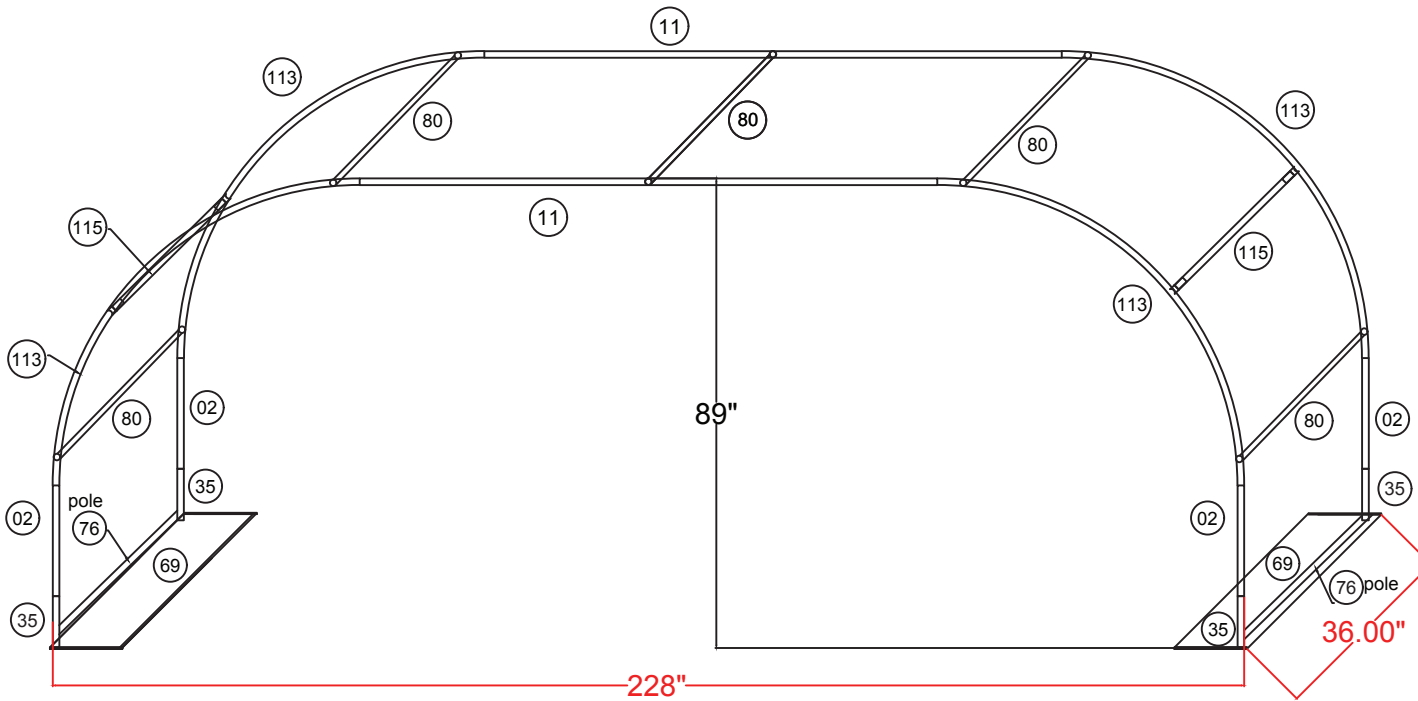
GROUP



BTT1048



Frame			Frame			Frame			Frame			Shipping Case		
33	4		42	1		BTT10	1							NYLON BAG
3	8		44	1		BFP48	6							
35	16		CM90	4		CABLE	1.5	-	3pt.	1				
12	8		56	4										
46	4		112	4										
NO.	Quantity	Confirm	NO.	Quantity	Confirm	NO.	Quantity	Confirm	NO.	Quantity	Confirm	NO.	Quantity	Confirm



- Assemble both outer rings
- Install base poles
- Install all horizontal poles
- Pull graphics from one end to the other slowly, making sure to evenly covering frame

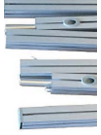
### ARCH

36"d x 228"w x 89"h Curved Arch Display	
Qty.	Part Number
4	WLM#35
4	WLM#113
2	WLM#76
4	WLM#002
2	WLM#11
5	WLM#80
2	WLM#69 base plate
4	WLM#75
1	BGO-FabricXL bag

# Setup Instructions

## Monitor Stand

### Identifying Parts-Monitor Not Included



A - Vertical Supports (x2)



B - Hand Tool



C - Top/Bottom Supports (x2)



D - Cross Supports (x3)



E - Base w/ Mounting Posts



F - Fabric (Black or Printed\*)



G - Monitor Profile Bar



H - T-Bolt w/ Wing Nut (x2)



I - T-Bolt for Monitor  
(size M4, M6, or M8, x2 ea.)



J - Leveling Bolt for Monitor  
(size M4, M6, or M8, x2 ea.)



K - Eye Nut w/ Wing Bolt



L - Eye Bolt



M - Tension Wire



Q - Case\*



R - Case-to-Counter Wrap  
(Black or Printed\*)



S - Case-to-Counter Top

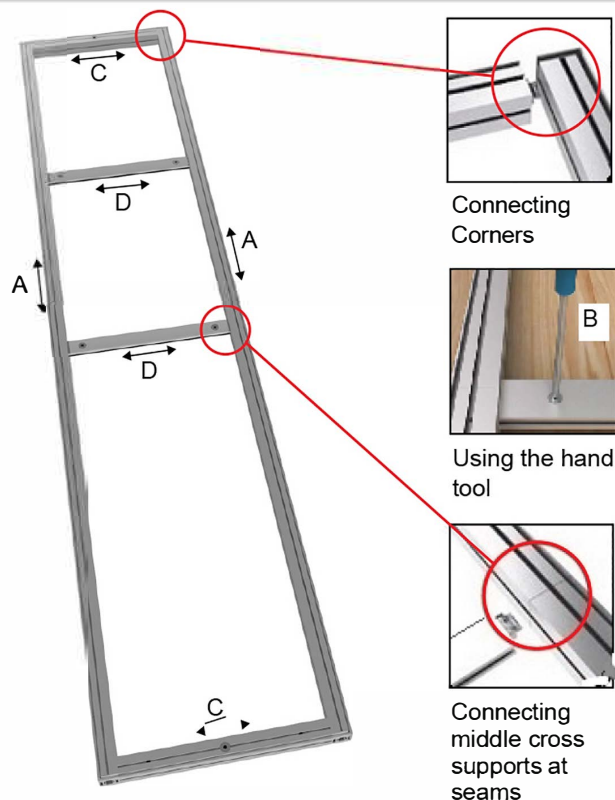
# Setup Instructions

## Monitor Stand

### Frame and Fabric

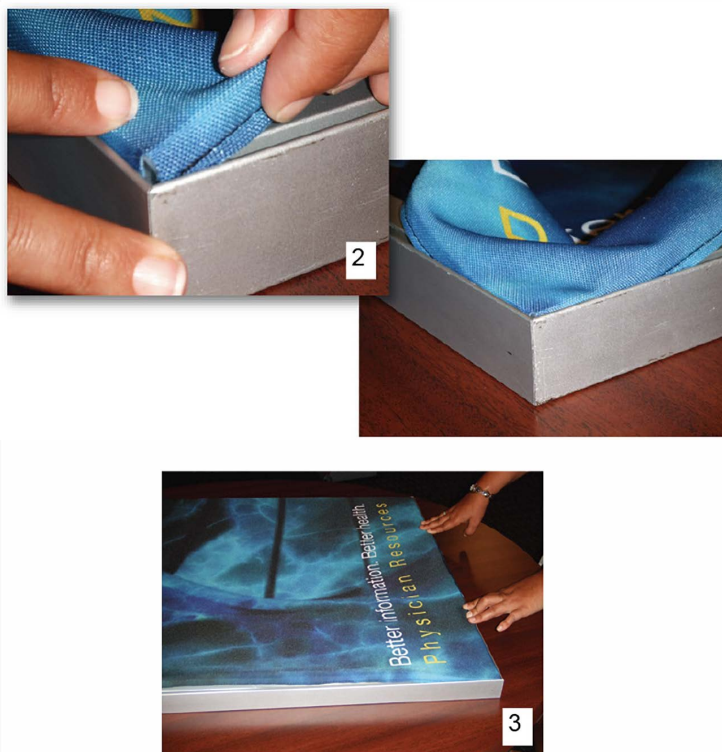
#### Connecting the Frame

1. Connect 3-part Vertical Supports (A) with plastic grommets facing out.
2. Using the Hand Tool (B), attach the top and bottom Horizontal Supports (C) to the Vertical Supports (A) by turning the screw with the star-shaped hole clockwise. PLEASE NOTE : Make sure the thin groove is along the outer edge of each piece so the groove is continuous around the frame.
3. Using the Hand Tool (B), attach the Cross Supports (D) in the same manner at the 2 joints in the Vertical Supports (A). PLEASE NOTE: The 3rd Cross Support (D) is included for added support or for use as a spare replacement piece.



#### Installing the Fabric (F)

1. Make sure the frame is laying flat on the floor and the star-holed screws are facing down.
2. Start with each corner and attach Fabric (F) by rolling fabric in and pushing the rubber beading into the thin groove along the edge of the frame with your thumb.
3. After the corners are secured, continue pushing the rubber beading into the groove along the sides, top and bottom of the frame. PLEASE NOTE: The corners of the stitching should be at the corners of the frame. PLEASE NOTE: Overstretching the fabric will result in uneven bunching of the fabric. Pull the fabric just tight enough to lay flat.



# Setup Instructions

## Monitor Stand

### Frame and Monitor

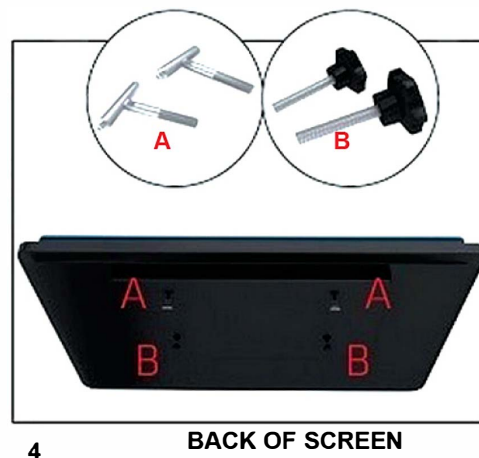
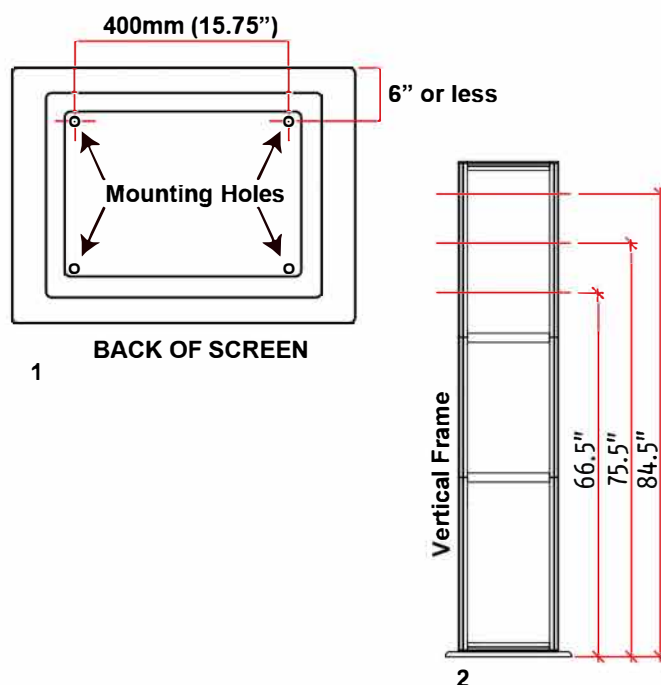
#### Connecting the Frame to the Base (E)

1. Slide assembled Frame and Fabric (with graphic facing forward to the long side of the base) onto protruding the posts of the Base (E).



#### Attaching and Securing the Monitor

1. Before attaching your monitor (not included), be sure the top 2 screw holes on the back are 15.75" (400mm) apart.  
Please Note: The holes on the frame will be at the same height as the screw holes on the monitor.
2. Determine the height you would like your monitor to hang.  
Please Note: The holes on the frame will be at the same height as the screw holes on the monitor.
3. Pull the fabric away from the frame at the location of the desired screw hole and attach the Monitor Profile Bar (G) using the T-Bolt and Wing Nut (H).
4. Attach the appropriate T-Bolts (I) into the top screw holes on the monitor and the correspondingly-sized Leveling Bolts (J) into the lower screw holes.  
Please Note: The extra sets of bolts are for other mount patterns and will not be needed.  
Please Note: Do not screw bolts in too far as it can crack the screen. Most monitors allow for at least 1/4" depth.
5. Attach the monitor by adjust a hook on one side of the Monitor Profile Bar (G) so the ball is outside the groove allowing the T-Bolts (I) to slide into the groove. Once both bolts are secured in the groove, re-adjust the hooks so the ball is in the groove. This prevents the monitor from sliding off.
6. Slowly tighten or loosen the Leveling Bolt for Monitor (J) to adjust the angle of the monitor.



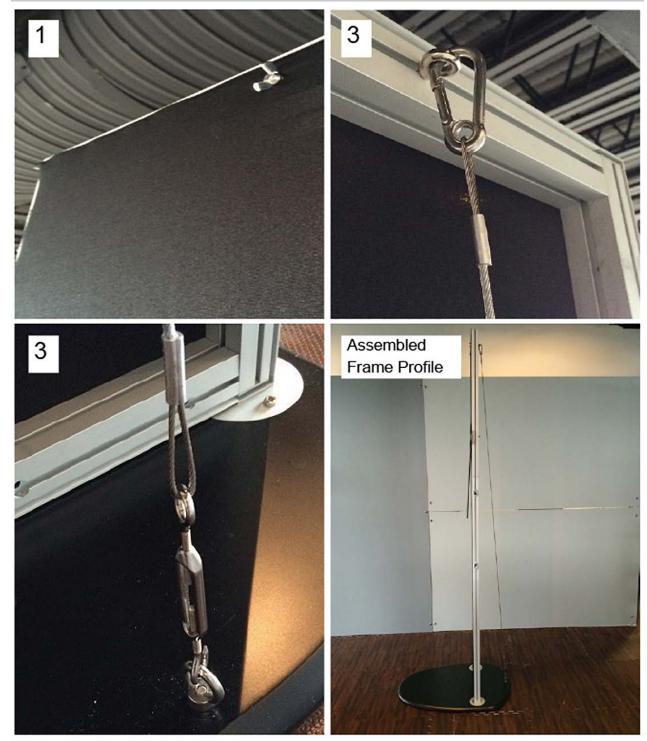
# Setup Instructions

## Monitor Stand

### Frame

#### Securing the Leveling the Frame

1. Attach the Eye Nut with Wing Bolt (K) through the hole in the center of the top Horizontal Support (C).
2. Attach the Eye Bolt (L) to the base at the screw hole insert located at the back.
3. Connect the Tension Wire (M) - First, the the Carabiner to the top Eye Nut (K) and then the Tension Screw to the Eye Bolt (L) on the base.
4. Turn the middle of the tension screw until the wire is tight and the display frame is level.



## Oval Pedestal Setup Instructions

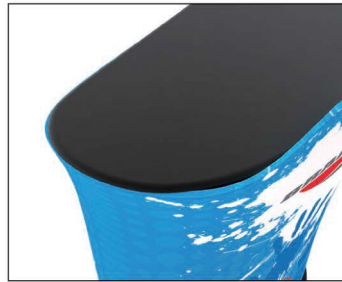


1. Remove the counter from the molded soft bag.

2. Extend and lock the support poles.

3. Place the 3 poles with the holes facing up.

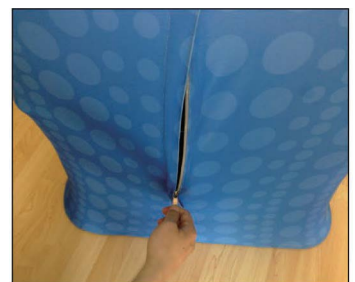
4. Place counter top onto poles. Tap down with hand to secure.



5. Slide fabric graphic wrap onto hardware. Align seam to center of back of counter.

6. Angle and tuck gasket into channel in edge of counter top. Insert graphic gasket all the way around.

7. Turn counter upside-down.



8. Pull graphic taut and angle and tuck gasket into channel in edge of foot. Insert graphic gasket all the way around.

9. Turn counter back over.

10. The zipper on the back is used to access inside the unit.