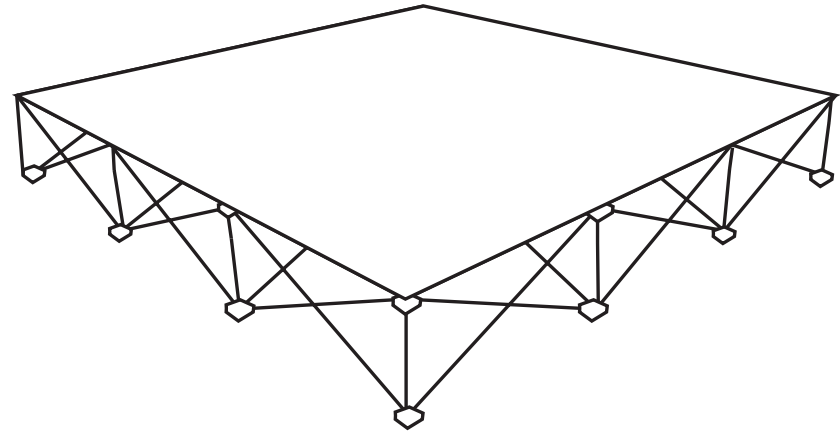
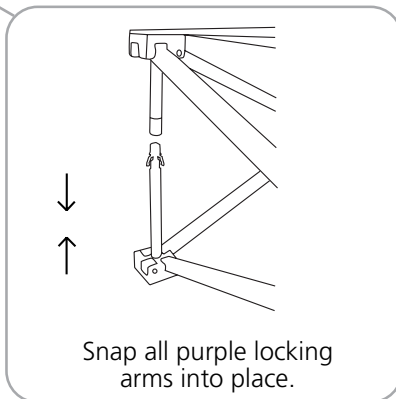
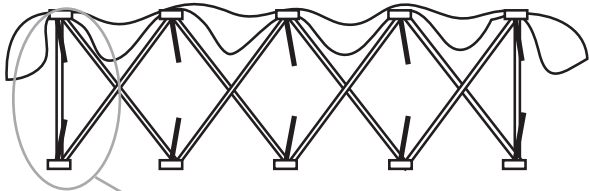
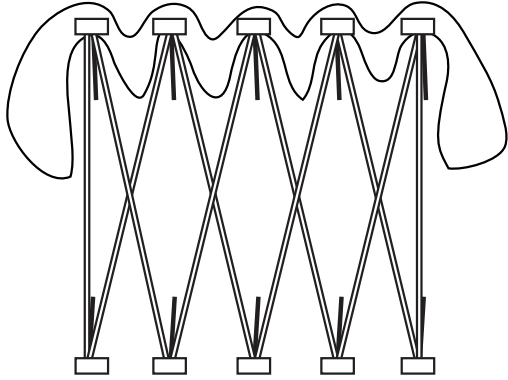


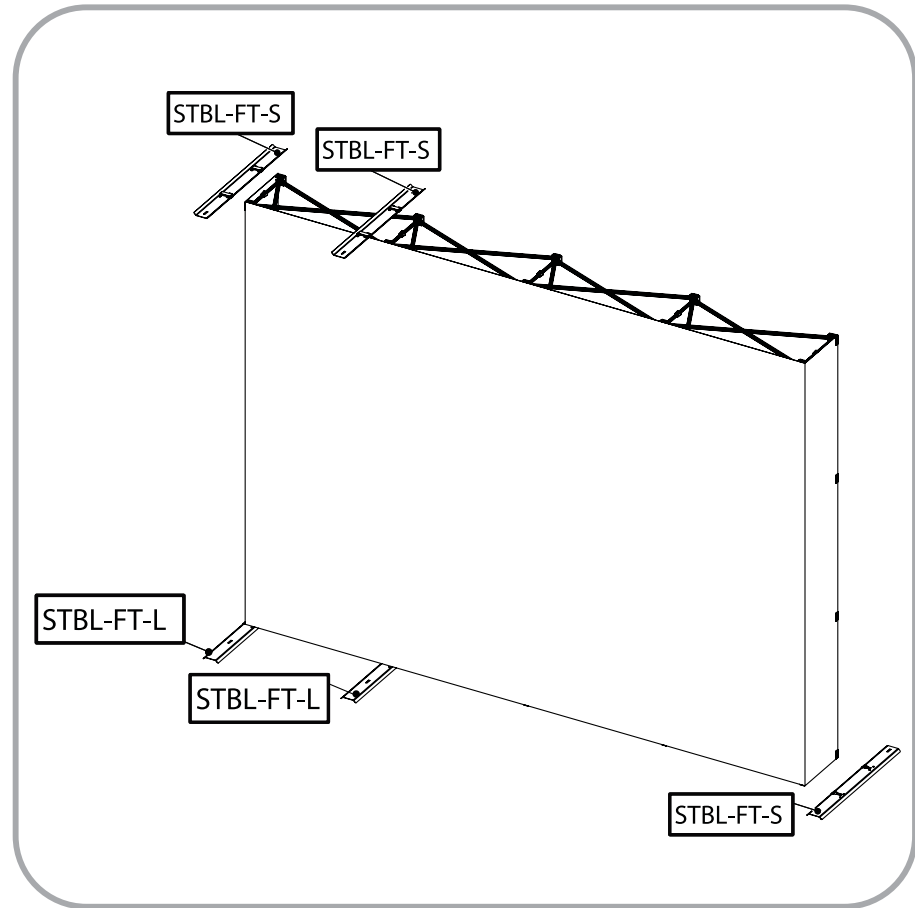
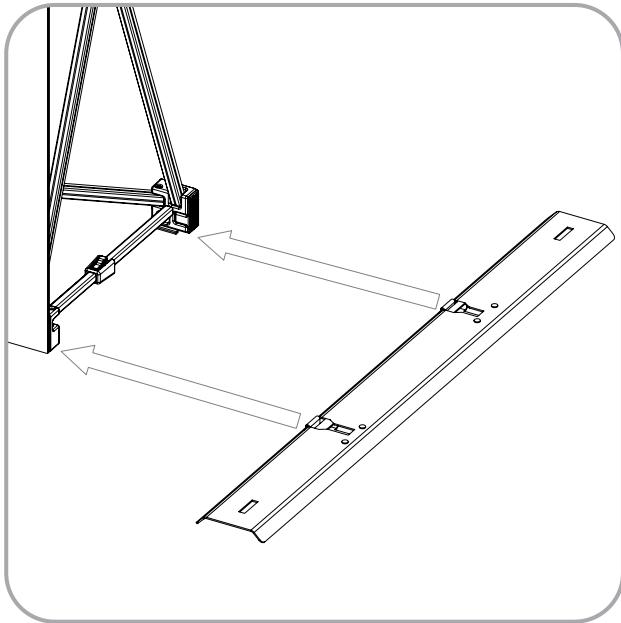
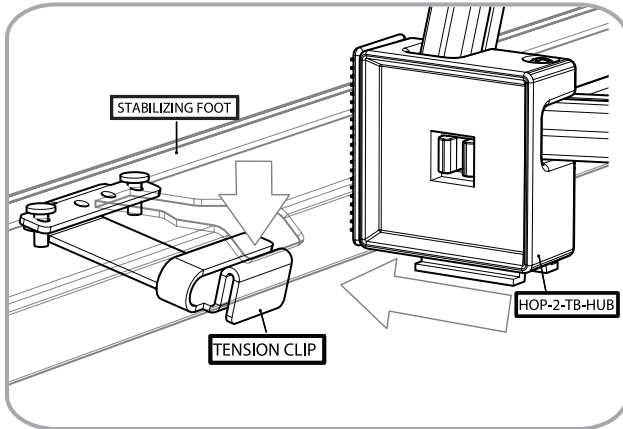
STEP 1: ASSEMBLE FRAME

Remove unit from rolling bag. Stretch frame to size, making sure webbing is not wrapped around purple locking arms. Pull frame outward and align purple locking arms. Snap all purple locking arms into place. Graphic comes pre-attached to Hopup frame. If unit has endcaps, attach endcaps to frame with Velcro.



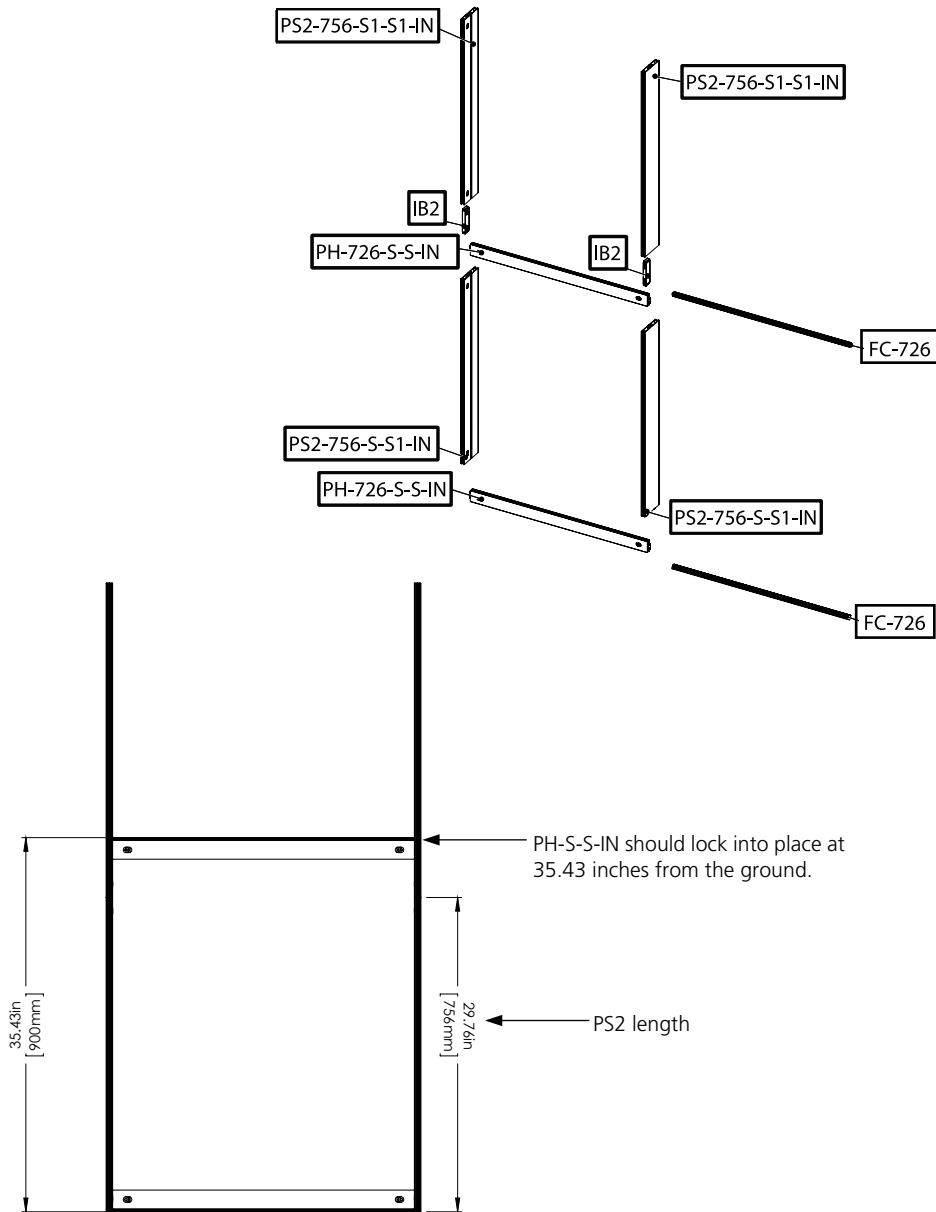
STEP 2: ATTACH STABILIZER FEET

Flip on side to access bottom hubs. Start with the largest end of the opening and slide stabilizer foot over both hubs. Feet will fit snugly. Push down on the tension clip to insert the hub into the stabilizing foot. Stabilizing feet will securely snap lock onto hubs. To release foot press tab and slide. Attach the large stabilizing feet on bottom. Then, attach the three smaller stabilizing feet (labelled call outs in the image at the right).



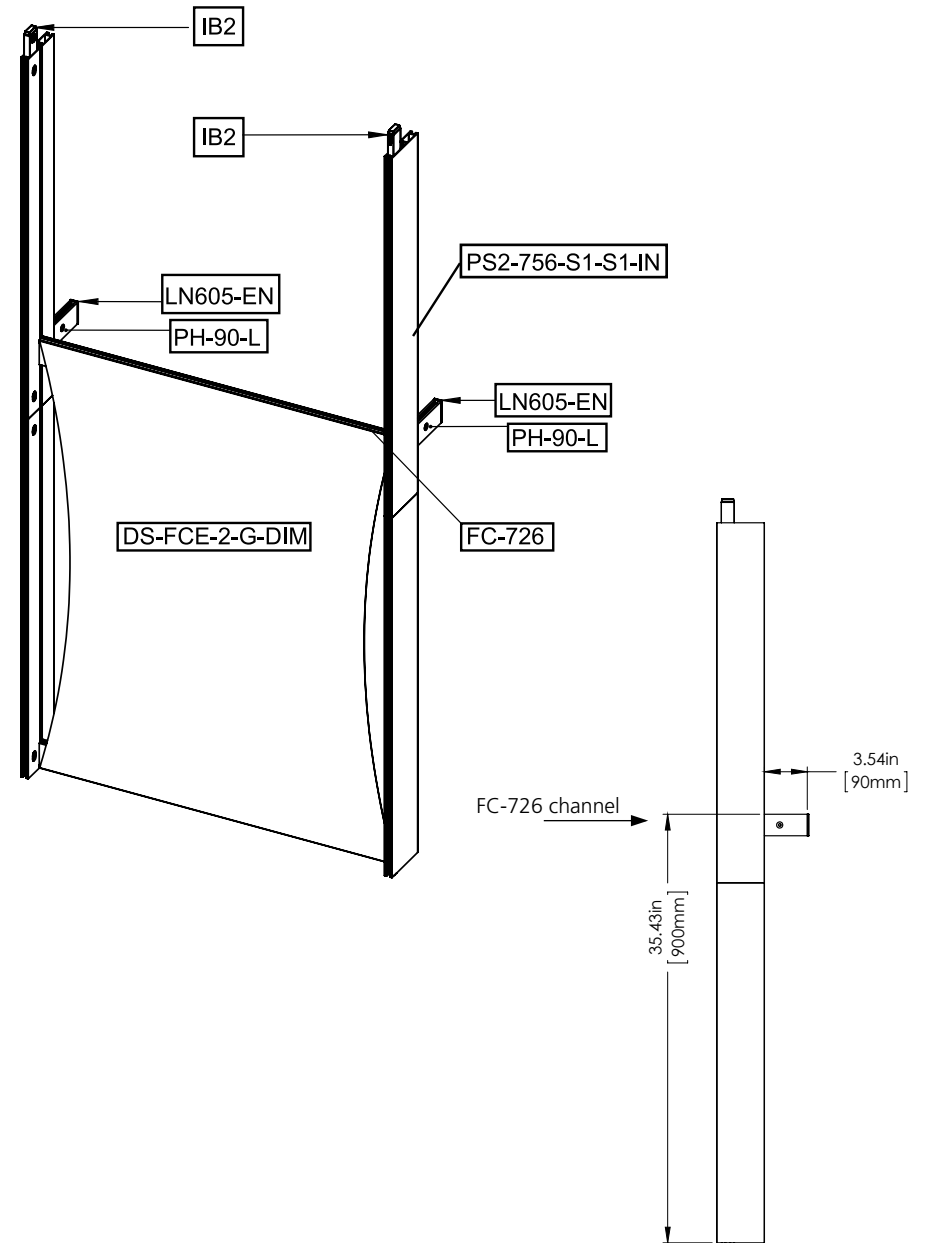
STEP 3: ASSEMBLE COUNTER FRAME

Insert IB2 into hole locations on PS2-756-S1-S1-IN. With Allen Key tool, turn one quarter turn to lock into place. Slide FC-726 into channel PH-726-S-S-IN. Then lock PH-726-S-S-IN into the internal channels on the PS2-756-S1-S1-IN.



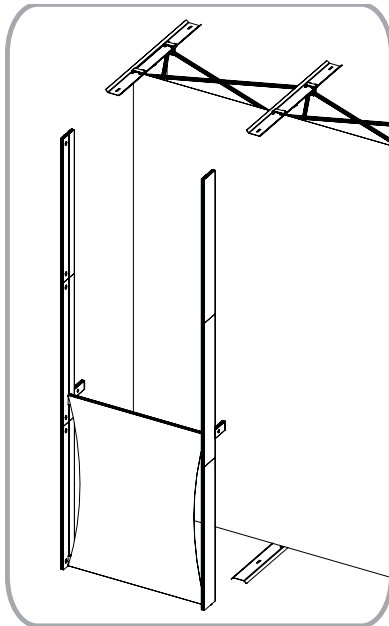
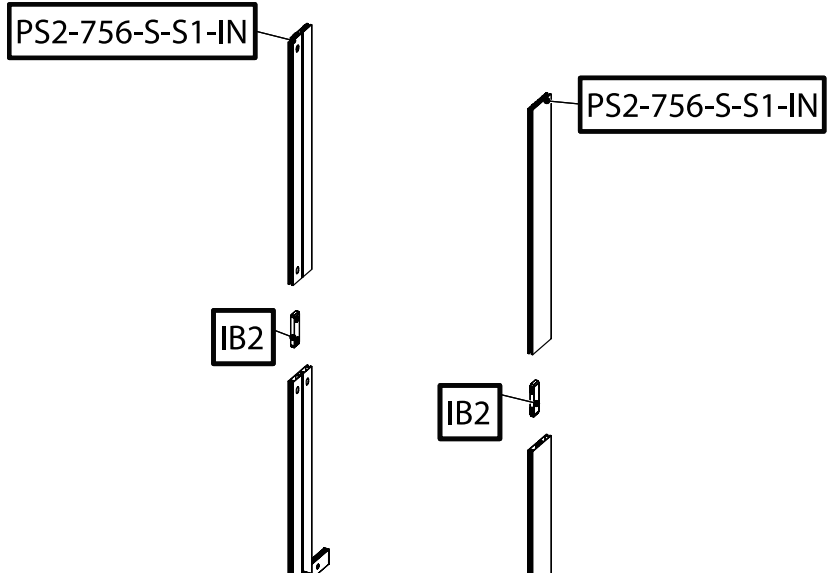
***Note:** All PS2-756-S1-S1-IN pieces are the same length.

Lock PH-90-L onto the rear channel of the PS2-756-S1-S1-IN at location shown in image. With Allen Key tool, turn only one quarter turn to lock into place. Silicon graphic edge (DS-FCE-2-G-DIM) will push into the channel on the FC-726.

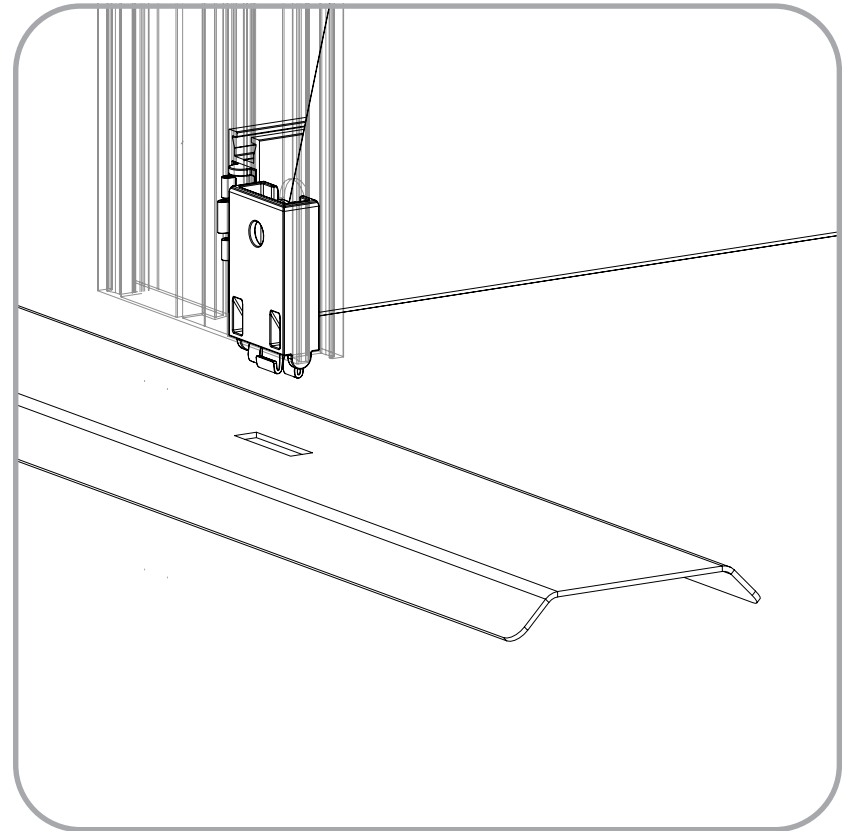


STEP 3 CONTINUED:

Assemble top of frame by inserting IB2 into hole locations on PS2-756-S1-S1-IN. With Allen Key tool, turn one quarter turn to lock into place.

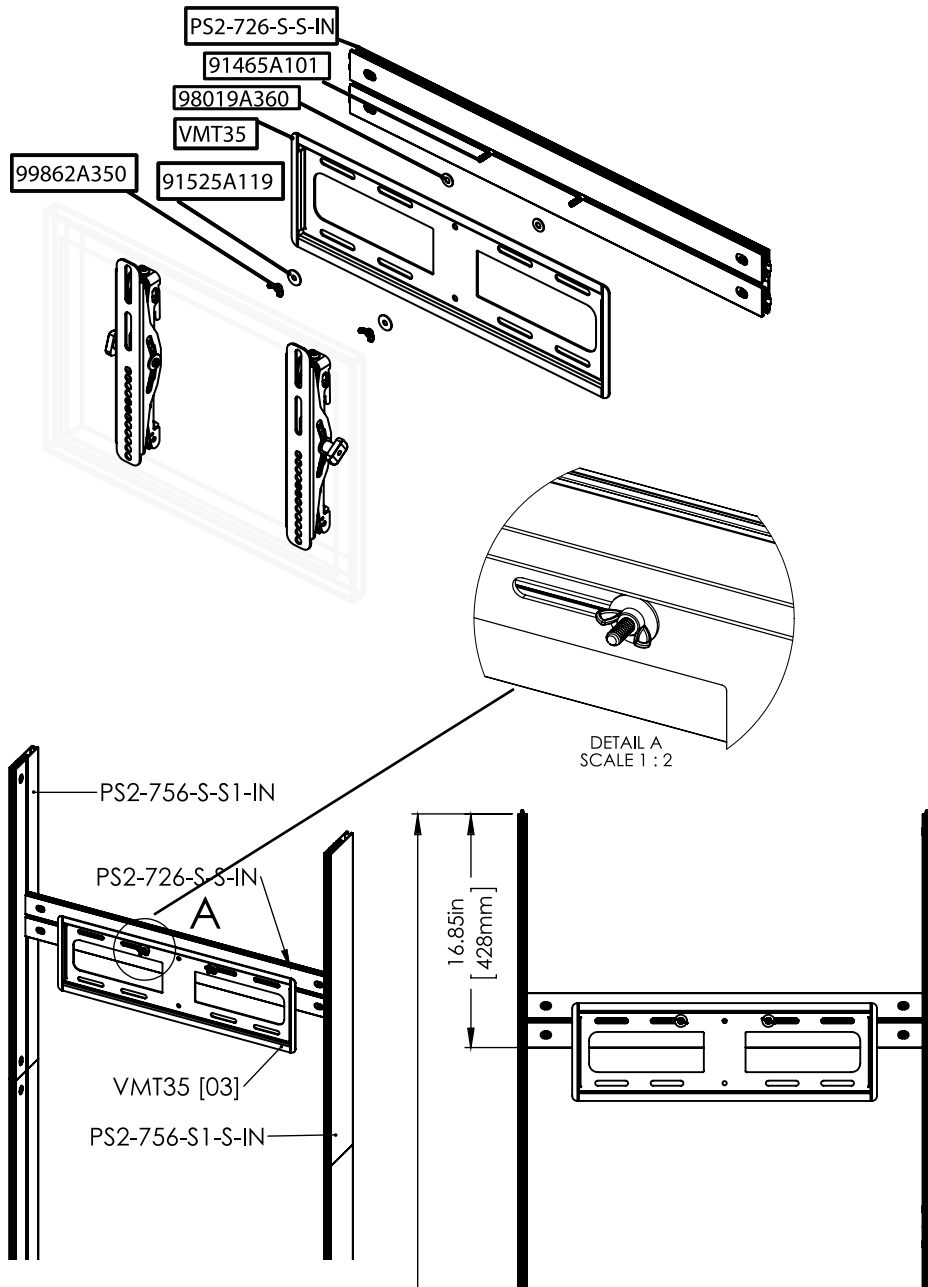


Lock extrusion frame onto top and bottom stabilizing feet, using fixed cam lock. With Allen Key tool, turn one quarter turn to lock into place.

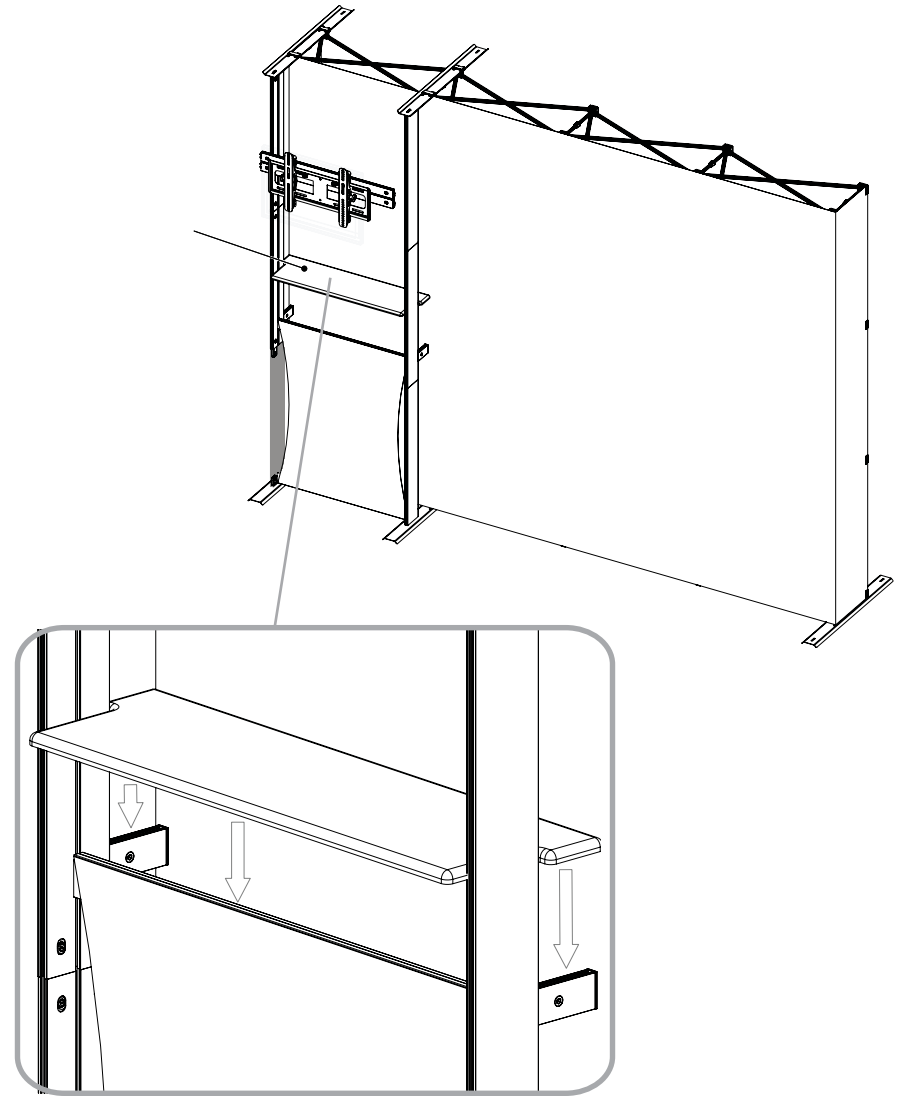


STEP 4: ATTACH ACCESSORIES

Assemble LN-LCD2-B monitor mount, then attach to frame. PS2-726-S-S-IN with monitor mount attachment should lock into place at 16.85 inches from top of unit. With Allen Key tool, turn one quarter turn to lock into place.

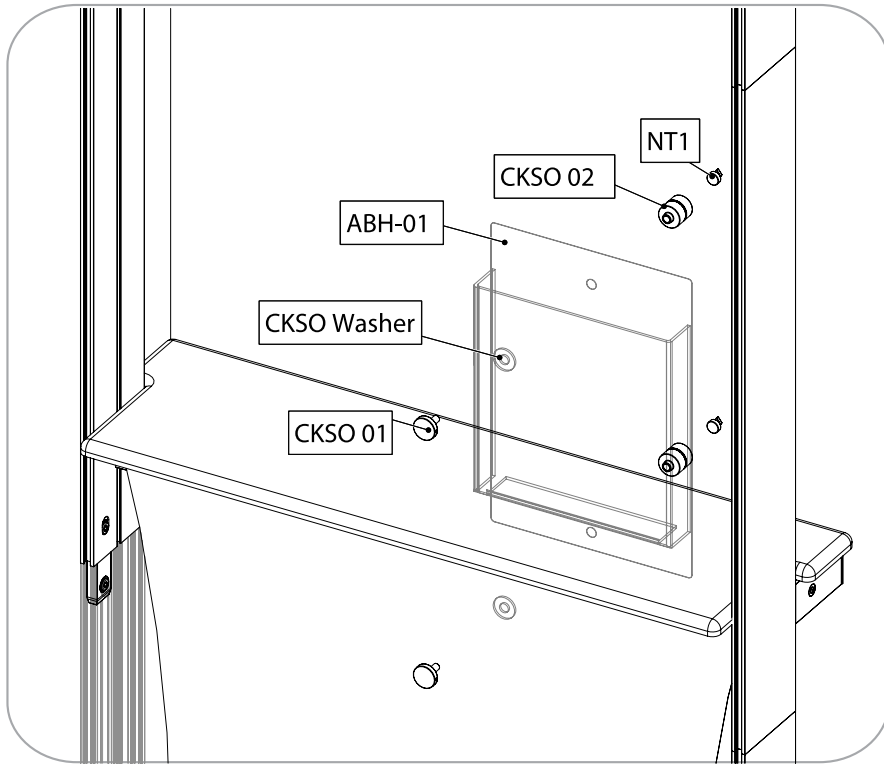


Attach shelf to frame. Lay shelf flat onto counter frame.

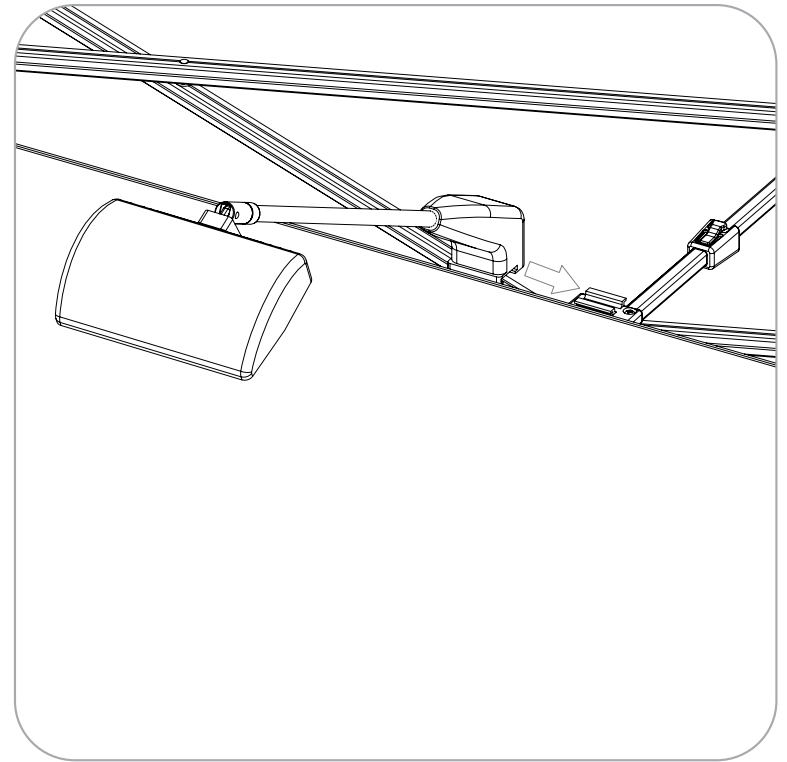


STEP 4 CONTINUED:

Attach the literature pocket to the extrusion.

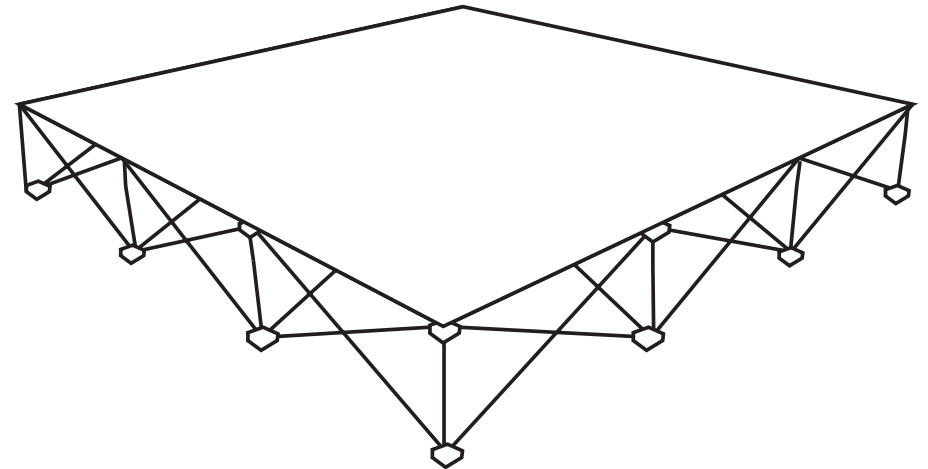
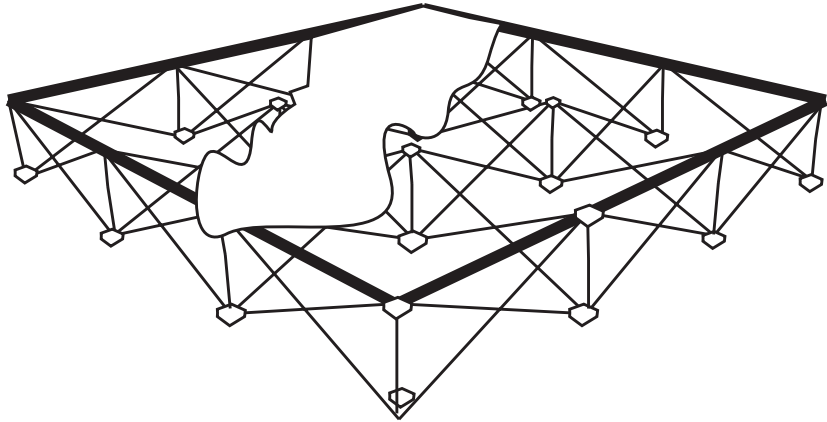


Attach lights by sliding light onto the dovetail on the hub at the top of the frame.



GRAPHIC ATTACHMENT:

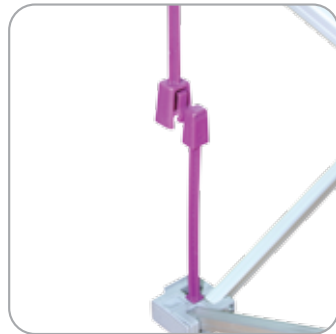
Graphic comes pre-attached to frame. Graphic attaches to the frame with Velcro. To re-attach start in one corner and move on to the next. Graphic application is then complete.



to ensure quality, please note:



If the webbing is wrapped around the purple locking arm, the arm can snap off when opening the unit.



When setting up, ensure that the arms are aligned. If not, the arms will snap when pressure is applied.



When packing unit in the bag, ensure that the strap is not partially wrapped around an arm. If it is, the arm will snap when pulled out of the bag.



When placing in a non-roller bag, ensure that arms are not outside of the bag.



Do not use the purple locking arm to lift unit. ALWAYS lift by the frame.