

Charging Tower Instructions

Product Parts

- 1 - Base
- 2 - Counter Surface
- 3 - Tower Bottom
- 4 - Tower Top
- 5 - Induction Charger
- 6 - Power Cord
- 7 - Spinner (x2)
- 8 - Wrench
- 9 - 4mm Hex Wrench
- 10 - 3mm Hex Wrench
- 11 - Flat Head Bolts (x4)
- 12 - Nuts for Flat Head Bolts (x4)
- 13 - Washers (x4)
- 14 - Long Bolts (x4)
- 15 - Graphics (1 bottom, 1 top)



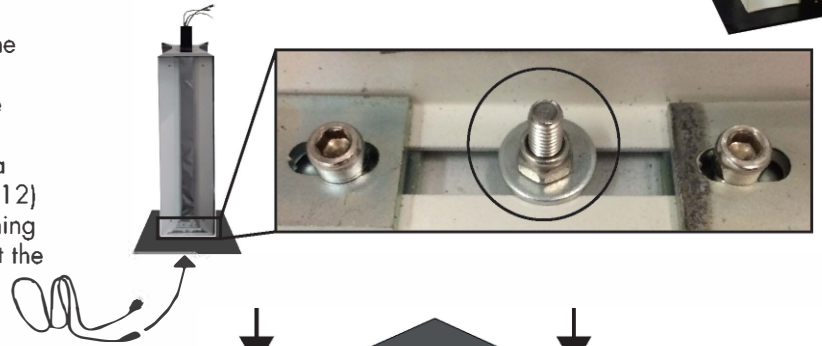
*Parts not to scale



Display Set-Up

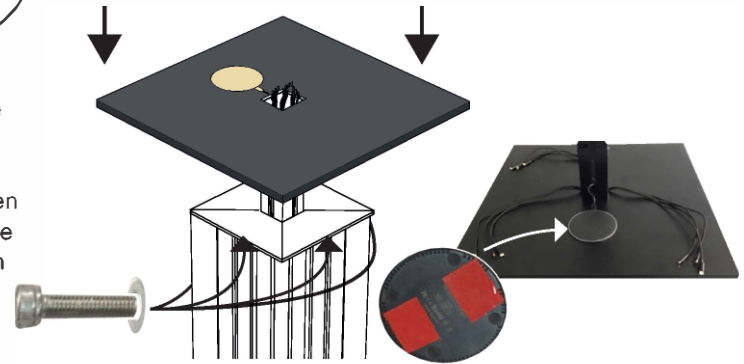
Step 1

Carefully set the Tower Bottom (3) on its side to expose the underside. Line up the Base (1) with the underside of the Tower Bottom and insert the Flat Head Bolts (11) from the Base's underside, through the holes on the Tower Bottom. Find where the Flat Head Bolts come through and place a Washer (13) on each of the four bolt ends. Hold a Nut (12) on top of each Washer with the Wrench (8) while tightening the Flat Head Bolts using the 4mm Hex Wrench (9). Insert the Power Cord (6) into the receiving end on the underside of the Tower Bottom (3), inside the middle support bar.



Step 2

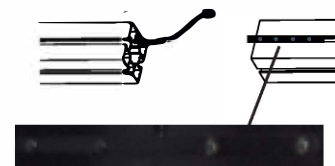
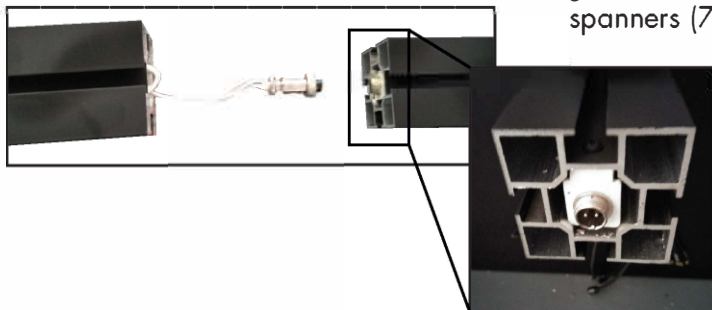
Set the display upright and move all cords so they're tucked inside the middle support bar, but be sure to line up the Surface's empty circle with the *single* Micro USB. Lower the Counter Surface (2) on top of the support bar until it's flat against the Tower Bottom (3). Finger-tighten the Long Bolt (14) from each hole from the Tower Bottom through to the underside of the Counter Surface. Peel the red film off of the Induction Charger (5) and attach it to the Counter Surface with the power port facing the middle support bar. Find the matching cord and plug in the Induction Charger. Pull out all other cords from the middle bar.



Step 3 - 2-person set-up recommended

Both the Tower Top and Tower Bottom have vertical gasket slots on only one of their corners. Find these and plan to align them for the final display. Carefully set the Tower Bottom (3) and the Tower Top (4) on their sides and locate the cords that connect the two, inside the center of their middle support bars (the Bottom's cord is fixed in the bar). Fit them together and twist the connection piece to secure the cords. Find the two

spanners (7) already inserted on one middle support bar portions. Using the 3mm Hex Wrench (10), loosen the headless bolts already in these bars. The bars will move freely in the support bar's grooves. Bring the two portions together and slide the spanners so that they span both sections. Retighten one headless bolt onto each section.



Charging Tower Instructions

Display Set-Up (Cont.)

Step 5

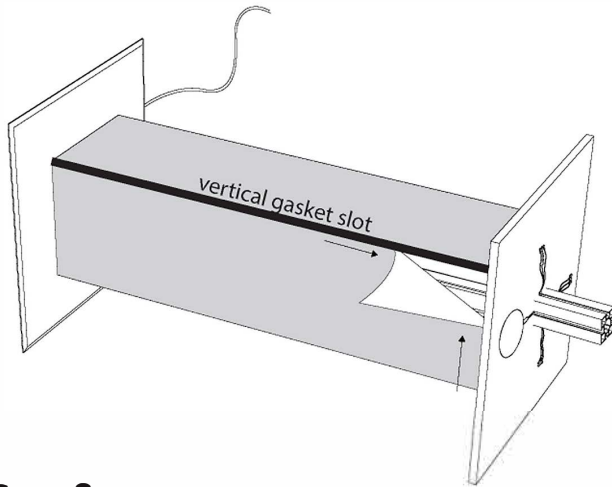
Inside the Tower Bottom (3), find the USB hub and ensure all cords are securely attached.

Flip the switch to 'on' before applying Graphics (15), as it will be inaccessible without removing them.



Step 6

Use the 3mm and 4mm Hex Wrenches (9, 10) to tighten all Flat Head Bolts (11) and Long Bolts (14).



Step 7

Insert the vertical gaskets on the Graphics (15) into the Tower Bottom's (3) vertical slots. Push the horizontal gaskets into the slots on the display as it wraps around.

Keep it taut until it is fully inserted and repeat this step for the Tower Top (4).

To remove the graphics, pull the loop found on the corner.



Step 8

Carefully set the display upright and plug in the cord. It is recommended that a power strip or surge protector (not included) be used so the display can be turned on and off with ease.

Storage

Store in a cool dry location.

Care

To clean the hardware, unplug the display and wipe with a damp cloth. Graphics should never be washed or dry cleaned.