

Parts List

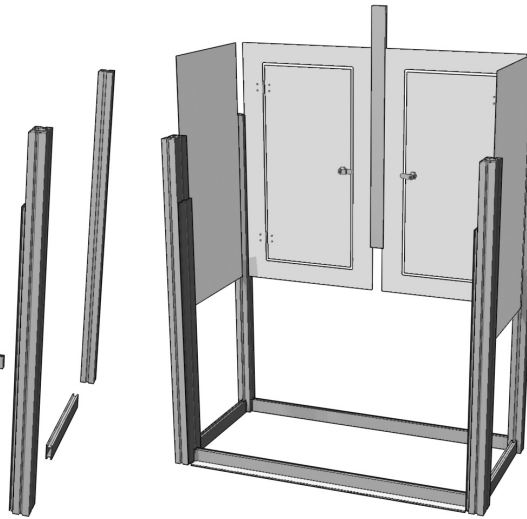
- A.) x2 - Front Columns
- B.) x2 - Back Columns
- C.) x4 - Side Crossbars
- D.) x2 - Front Crossbars
- E.) x2 - Back Crossbars
- F.) x2 - Side Panels

- G.) x2 - Back Doors
- H.) x1 - Shelf
- I.) x1 - Top
- J.) x1 - Secured Top
- K.) x1 - Vertical Support

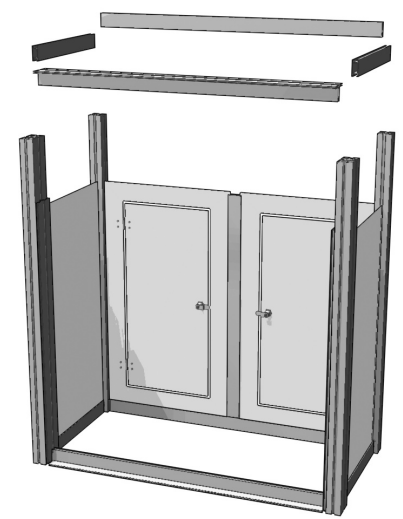
Step 1. Attach bottom crossbars to columns



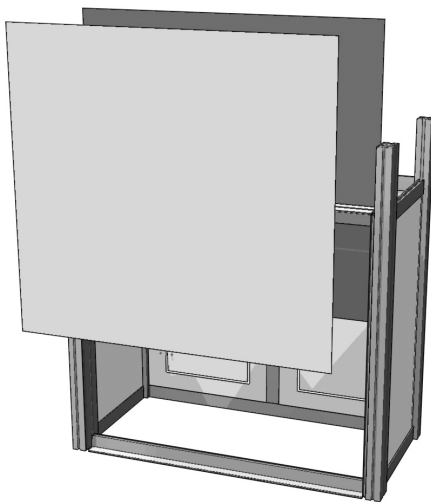
Step 2. Attach vertical support to back crossbars. Slide in panels and doors.



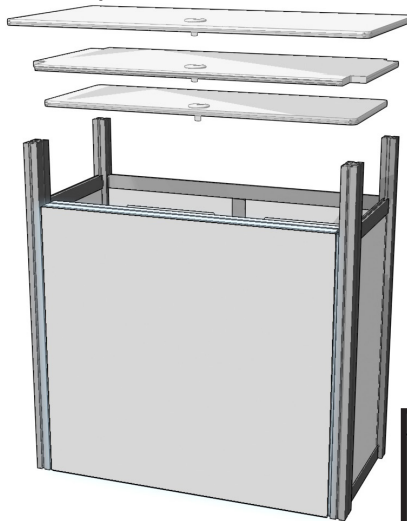
Step 3. Attach top crossbars to columns



Step 4. Attach bottom crossbars to columns



Step 5. Drop shelf onto supports; drop top onto crossbars; Attach secured top.



COMPLETE

