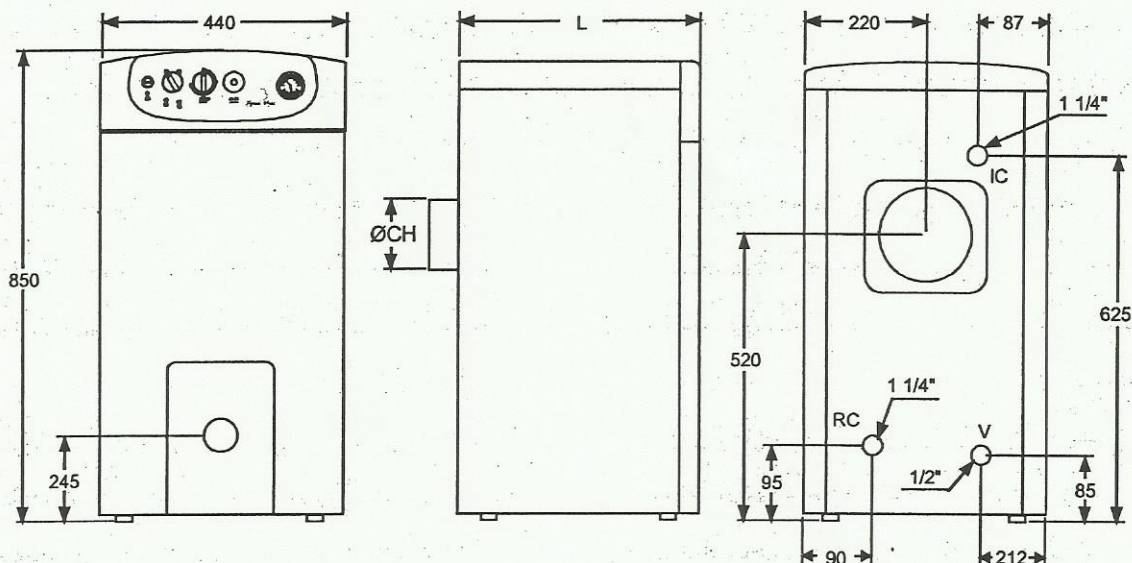


## 12.- DIAGRAMS AND MEASUREMENTS



| MODEL                  | SPAINHEAT 30 | SPAINHEAT 40 | SPAINHEAT 50 | SPAINHEAT 60 | SPAINHEAT 70 | SPAINHEAT 80 |
|------------------------|--------------|--------------|--------------|--------------|--------------|--------------|
| MEAS. L (mm)           | 390          | 490          | 590          | 690          | 790          | 890          |
| MEAS. $\varnothing CH$ | 150          | 150          | 150          | 180          | 180          | 180          |

## 13.- TECHNICAL CHARACTERISTICS

| SPAINHEAT                      |      | 30                           | 40     | 50     | 60     | 70     | 80     |
|--------------------------------|------|------------------------------|--------|--------|--------|--------|--------|
| Nº of cast elements            | -    | 3                            | 4      | 5      | 6      | 7      | 8      |
| Type of boiler                 | -    | standard (heating only)      |        |        |        |        |        |
| Nominal energy consumption     | kW   | 29,3                         | 40,5   | 52     | 63,5   | 75     | 87,5   |
| Nominal working power          | kW   | 27,8                         | 38,5   | 49,7   | 60,7   | 71,4   | 83,3   |
| Heating temperature regulation | °C   | 0-85                         |        |        |        |        |        |
| Maximum safety temperature     | °C   | 110                          |        |        |        |        |        |
| Maximum operating pressure     | bar  | 3                            |        |        |        |        |        |
| Volume of water                | Lts  | 16,2                         | 20,2   | 24,2   | 28,2   | 32,2   | 36,2   |
| Water pressure drop            | mce  | 0,15                         | 0,19   | 0,24   | 0,30   | 0,37   | 0,45   |
| Fume temperature               | °C   | 213                          | 213    | 208    | 200    | 195    | 191    |
| Volume on fume side            | Lts  | 11,4                         | 17,5   | 23,5   | 29,6   | 35,5   | 41,6   |
| Maximum fume flow              | Kg/s | 0,0132                       | 0,0186 | 0,0245 | 0,0299 | 0,0354 | 0,0413 |
| Fume pressure drop             | mmce | 1,7                          | 1,8    | 2,0    | 2,2    | 2,3    | 2,5    |
| Combustion chamber length      | mm   | 300                          | 400    | 500    | 600    | 700    | 800    |
| Combustion chamber type        | -    | wet, with three fume outlets |        |        |        |        |        |
| QSH burner model               | -    | QSH 30                       | QSH 40 | QSH 50 | QSH 60 | QSH 70 | QSH 80 |
| Burner adjustment type         | -    | On / Off                     |        |        |        |        |        |
| Electrical supply              | -    | ~220-230 V - 50 Hz - 200 W   |        |        |        |        |        |
| Gross weight                   | Kg   | 110                          | 135    | 160    | 185    | 210    | 235    |