

4XEM's 15W 2xUSB-C PD Charging Kit with Interchangeable Wall Adapters

4XEM Part- 4XUNICHARGERB



Introducing our Dual USB-C Wall Charger, the ultimate charging solution designed to power up your devices faster and more efficiently than ever before. With its sleek and compact design, this charger is your go-to companion for staying connected and fully charged, whether at home, in the office, or on the go. With our interchangeable wall prongs, this charger is ready to serve you anywhere in the 1st world.

Featuring two USB-C ports, this charger allows you to simultaneously charge two USB-C devices with ease. Say goodbye to the hassle of carrying multiple chargers or waiting for your turn to power up. With our Dual USB-C Wall Charger, you can charge your smartphone, tablet, laptop, or any other USB-C compatible device simultaneously and at maximum speed.



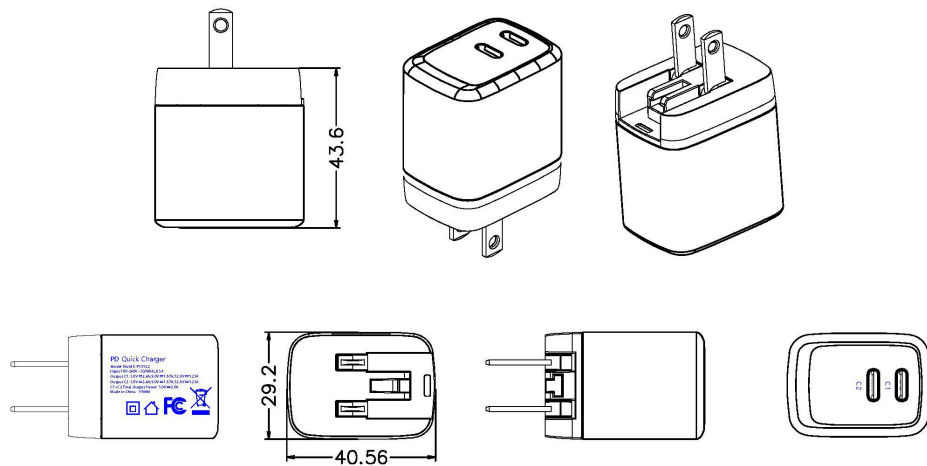
Features

- Compatibility with Samsung, Apple and any USB-C and Micro USB device
- 15Watt power PD fast charging Wall Adapter
- 6x Interchangeable wall outlet plugs for various Countries (India, Australia, China, Argentina, EU-South Africa and UK)
- 2x USB-C port on Wall Charger
- 480Mbps Data Rate
- Meets USB-PD 3.0 and USB 2.0 Industry Standards



Application

- Charging
- At Home
- At the Office
- Travel



| | | |
|--------------------------|--|---|
| Warranty Information | Warranty | 1 year |
| Connector(s) | Charging Port (s) Power | 2x USB Type-C Non-Polarized NEMA 1-15P (Canada, Japan, USA) Fixed with Retractable Prongs Pack of global AC input form adaptors included |
| Performance | Industry Standards | USB-PD 3.0 USB 2.0 |
| Physical Characteristics | Charger Colour Display LED Indicator(s) Charger Width Charger Height Charger Length Charger Weight | Black No None 1.149 in [29.2 mm] 1.59 in [40.56 mm] 1.71 in [43.6 mm] 2.34 in [59.6 mm] (with power prongs out) 1.83 oz [52 g] |
| Power | Total Power Budget Power Delivery Input Voltage Output Voltage (Port 1/2) Output Voltage (Ports 1&2) | 15W 15W 100-240 VAC, 50Hz-60Hz @ 0.8A 5V DC @ 2.4A 9V DC @ 1.67A 12V DC @ 1.25A 5V DC @ 3A (Shared) |
| Environmental | Operating Temperature Storage Temperature Humidity | 32°F to 104°F [0°C to 40°C] -4°F to 176°F [-20°C to 80°C] 5% to 90% (non-condensing) |
| Packaging Information | Package Type Package Width Package Height Package Length Shipping (Package) Weight | Box 4.42 in [112.2 mm] 3.73 in [94.7 mm] 2.85 in [72.5 mm] 7.34 oz [208 g] |
| What's in the Box | Included in Package | 1x 15W Dual USB-C Charger 1x Pack of global AC input form adaptors |
| Notes | Notes | "Included global AC form adaptors are: GB 1002-2008 (China) EN 50075 (EU-South Africa) IS 1293 (India) BS 1363-1 (UK) AS/NZS 3112 (Australia) IRAM 2063 (Argentina) Measurements of charger taken without any of the included global AC input adaptors." |

* Product appearance and specifications are subject to change without notice.

* Same day shipping is only available for orders shipping within the United States.

