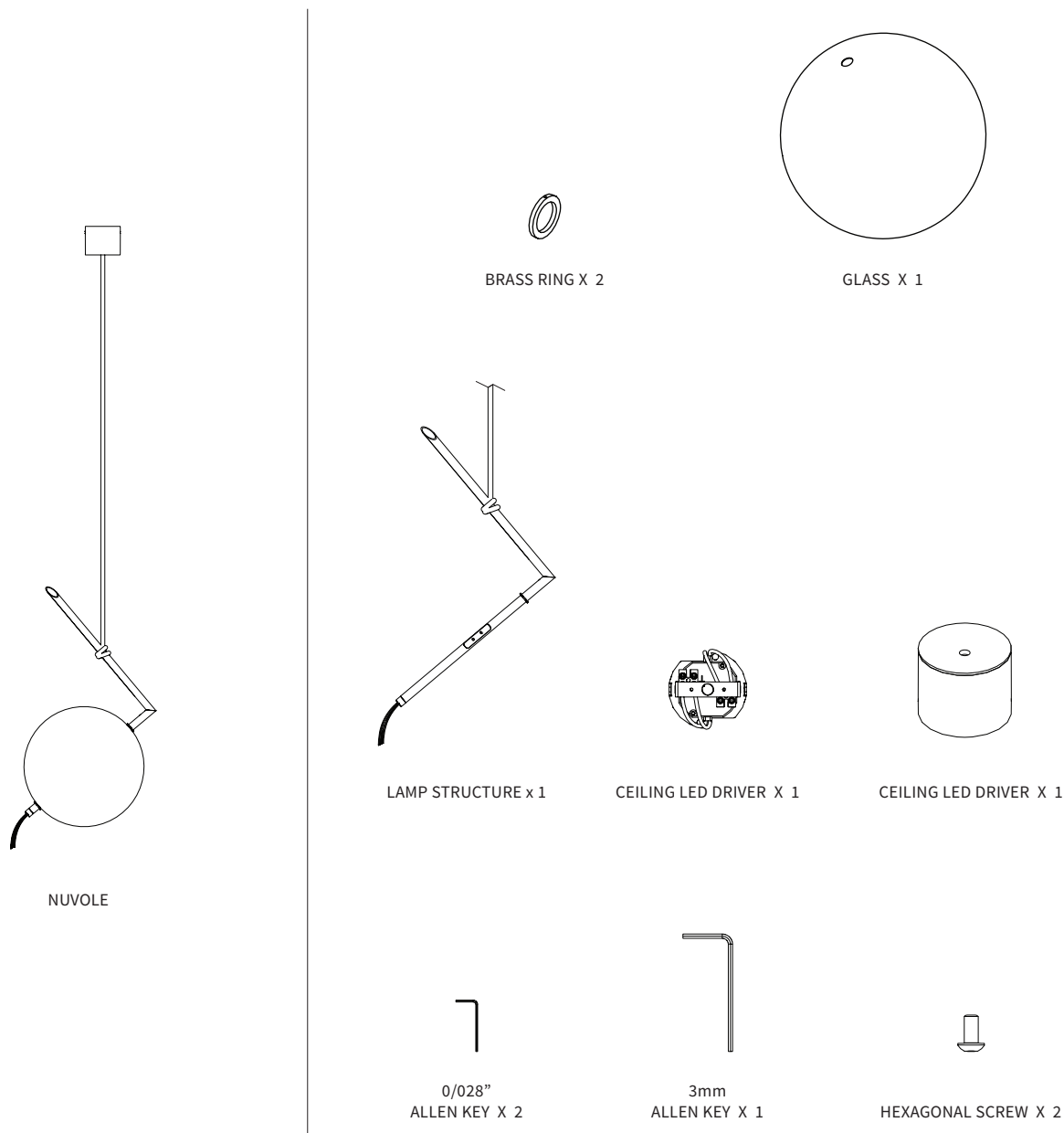


# SilvioMondinoStudio

Nuvole I Light  
Installation Guide - Rev. 01/17

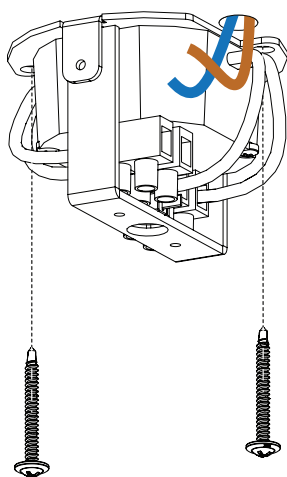
COMPONENTS



SAFETY INFORMATION

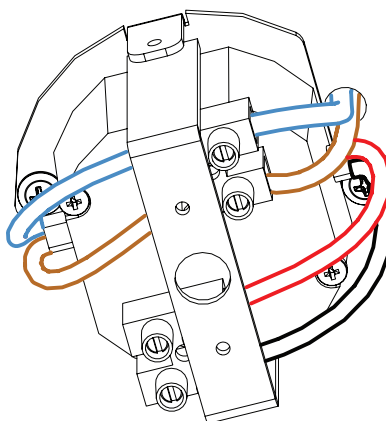
ONLY SUITABLE FOR DIRECT MOUNTING ON NON-COMBUSTIBLE SURFACES.  
SUITABLE FOR DRY, INDOOR USE ONLY.  
MAXIMUM AMBIENT TEMPERATURE: 30°C

## LAMP BRACKET ASSEMBLY



1 - SECURE THE DRIVER PLATE TO THE CEILING USING ANCHORS SCREWS.

MAKE SURE ELECTRICAL WIRES ARE PULLED OUT FROM THE WALL AS PICTURED



2 - CONNECT THE **N-L** INPUT OF THE DRIVER TO THE ELECTRICAL SYSTEM.  
**WRONG CONNECTION WILL DAMAGE IRREPARABLY THE DRIVER.**

## NOTE

PLEASE CONTACT A LICENSED ELECTRICIAN.

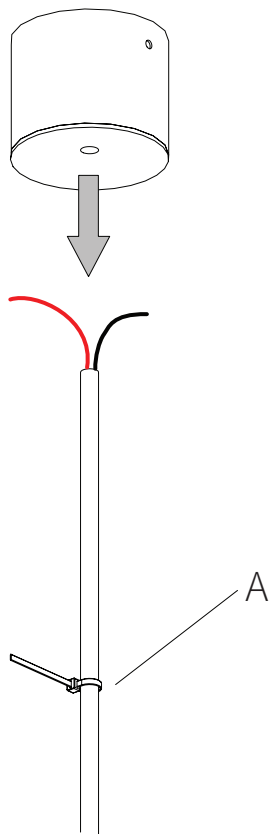
USE NITRILE GLOVES TO HANDLE THE COMPONENTS TO AVOID FINGERPRINTS.

ALL BRASS FINISHES ARE UNLACQUERED AND HAND SEALED WITH A LIGHT LAYER OF WAX.

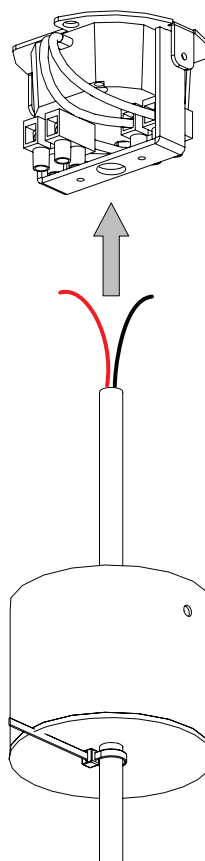
THE FINISH IS LIVE AND IS INTENDED TO PATINA OVER TIME.

WE TRY OUR BEST FOR ALL GOODS TO LEAVE OUR PREMISES IN PRISTINE CONDITION, BUT SOMETIMES PRODUCTS MAY ARRIVE WITH MINOR OXIDISATION MARKS, REVEALING THE HIGH CRAFTSMANSHIP PROCESS.

## LAMP BRACKET ASSEMBLY



3 - FIX A CABLE TIE AROUND THE LEATHER CABLE AND THEN SLIDE THE CANOPY ONTO THE CABLE.



4 - SLIDE THE LEATHER CABLE INTO THE BRACKET HOLE.

## NOTE

PLEASE CONTACT A LICENSED ELECTRICIAN.

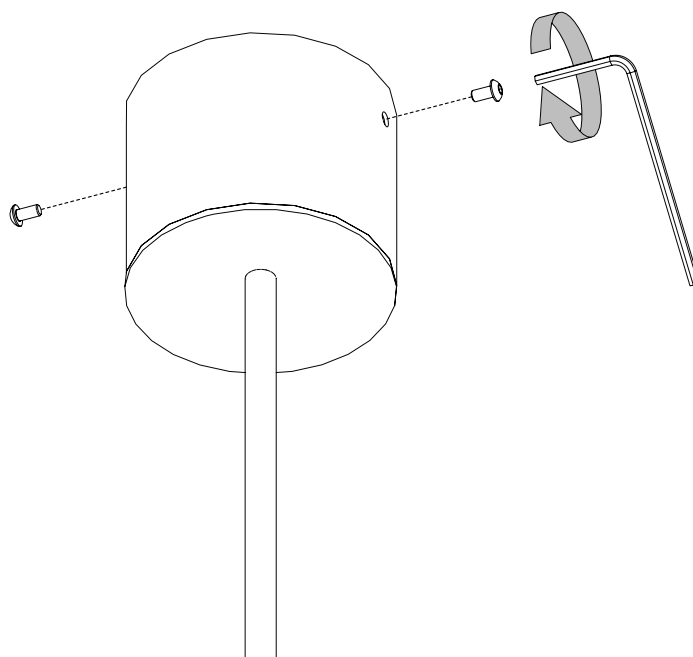
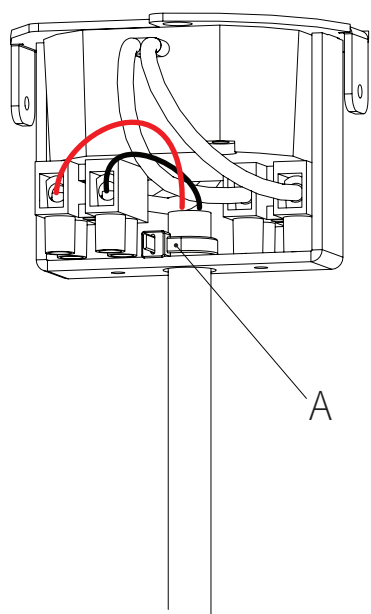
USE NITRILE GLOVES TO HANDLE THE COMPONENTS TO AVOID FINGERPRINTS.

ALL BRASS FINISHES ARE UNLACQUERED AND HAND SEALED WITH A LIGHT LAYER OF WAX.

THE FINISH IS LIVE AND IS INTENDED TO PATINA OVER TIME.

WE TRY OUR BEST FOR ALL GOODS TO LEAVE OUR PREMISES IN PRISTINE CONDITION, BUT SOMETIMES PRODUCTS MAY ARRIVE WITH MINOR OXIDISATION MARKS, REVEALING THE HIGH CRAFTSMANSHIP PROCESS.

LAMP BRACKET ASSEMBLY



5 - BLOCK THE LEATHER CABLE AT THE BRACKET HOLE USING A CABLE-TIE.

6 - CONNECT THE 24V OUTPUT OF THE DRIVER TO THE ELECTRICAL CABLE OF THE LAMP, PAYING ATTENTION TO THE POLARITY.

**WRONG CONNECTION WILL DAMAGE IRREPARABLY THE LAMP.**

7 - RISE THE CANOPY AND FIX IT USING THE HEXAGONAL SCREW PROVIDED USING THE 3MM ALLEN KEY.

NOTE

PLEASE CONTACT A LICENSED ELECTRICIAN.

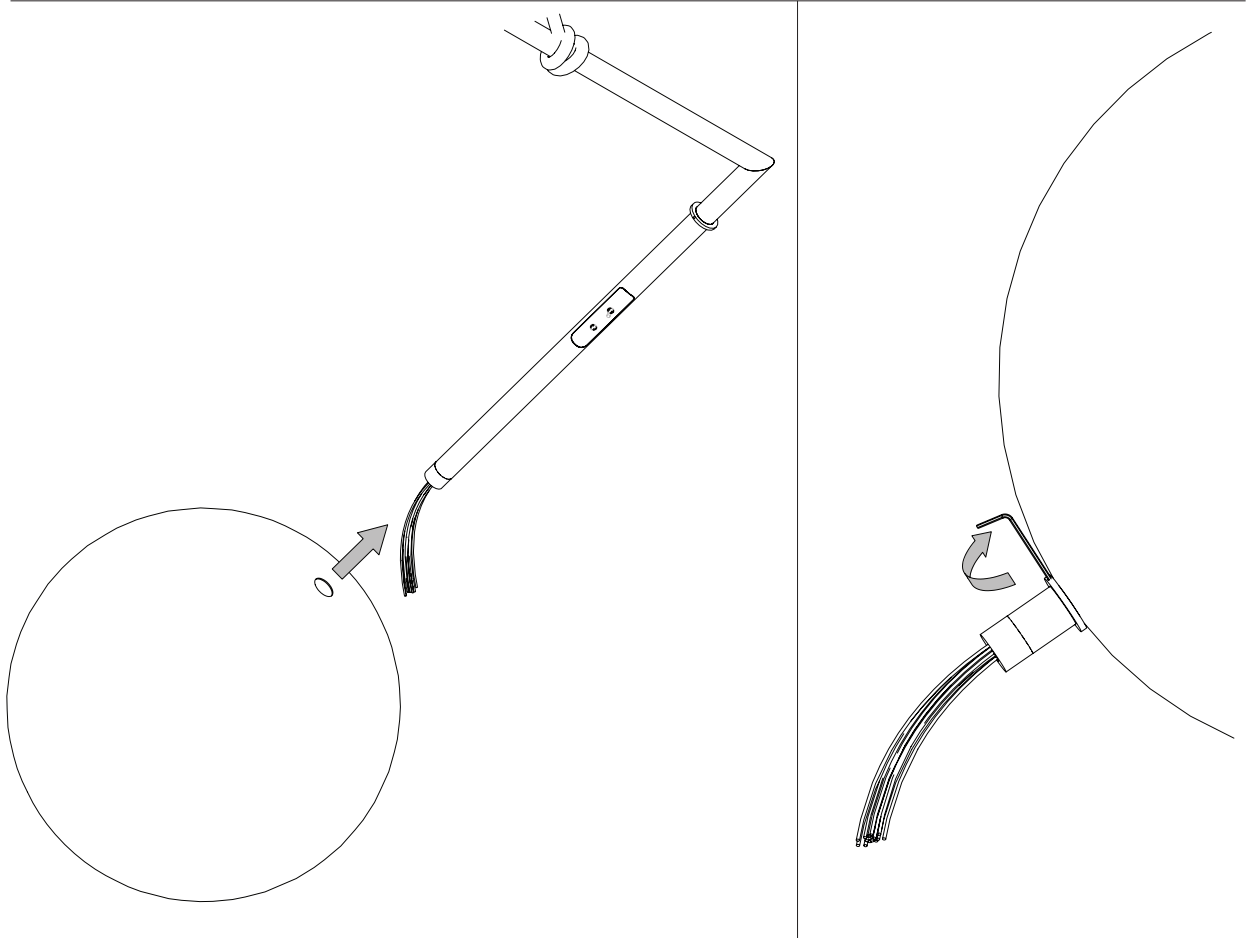
USE NITRILE GLOVES TO HANDLE THE COMPONENTS TO AVOID FINGERPRINTS.

ALL BRASS FINISHES ARE UNLACQUERED AND HAND SEALED WITH A LIGHT LAYER OF WAX.

THE FINISH IS LIVE AND IS INTENDED TO PATINA OVER TIME.

WE TRY OUR BEST FOR ALL GOODS TO LEAVE OUR PREMISES IN PRISTINE CONDITION, BUT SOMETIMES PRODUCTS MAY ARRIVE WITH MINOR OXIDISATION MARKS, REVEALING THE HIGH CRAFTSMANSHIP PROCESS.

## GLASS ASSEMBLY



8 - SLIDE THE GLASS ON THE BRASS ROD.

9 - SLIDE THE RING ON THE BRASS ROD.

10 - GENTLY SECURE IN PLACE WITH SET SCREWS ON TOP USING THE PROVIDED M1.6 ALLEN-KEY

## NOTE

PLEASE CONTACT A LICENSED ELECTRICIAN.

USE NITRILE GLOVES TO HANDLE THE COMPONENTS TO AVOID FINGERPRINTS.

ALL BRASS FINISHES ARE UNLACQUERED AND HAND SEALED WITH A LIGHT LAYER OF WAX.

THE FINISH IS LIVE AND IS INTENDED TO PATINA OVER TIME.

WE TRY OUR BEST FOR ALL GOODS TO LEAVE OUR PREMISES IN PRISTINE CONDITION, BUT SOMETIMES PRODUCTS MAY ARRIVE WITH MINOR OXIDISATION MARKS, REVEALING THE HIGH CRAFTSMANSHIP PROCESS.