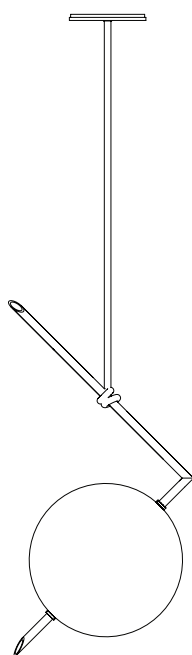


# SilvioMondinoStudio

Nuvola One Light  
Installation Guide - Rev. 01/21

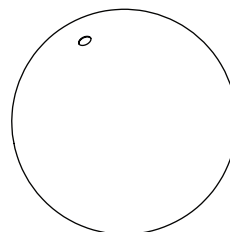
COMPONENTS



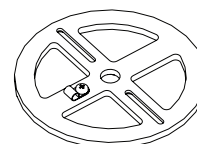
NUVOLA



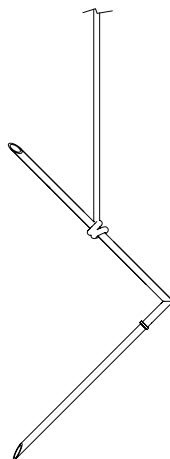
BRASS RING X 2



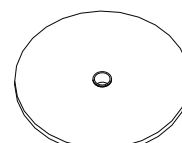
GLASS X 1



CEILING BRACKET X 1



LAMP STRUCTURE x 1



CANOPY X 1



1.5MM  
ALLEN KEY

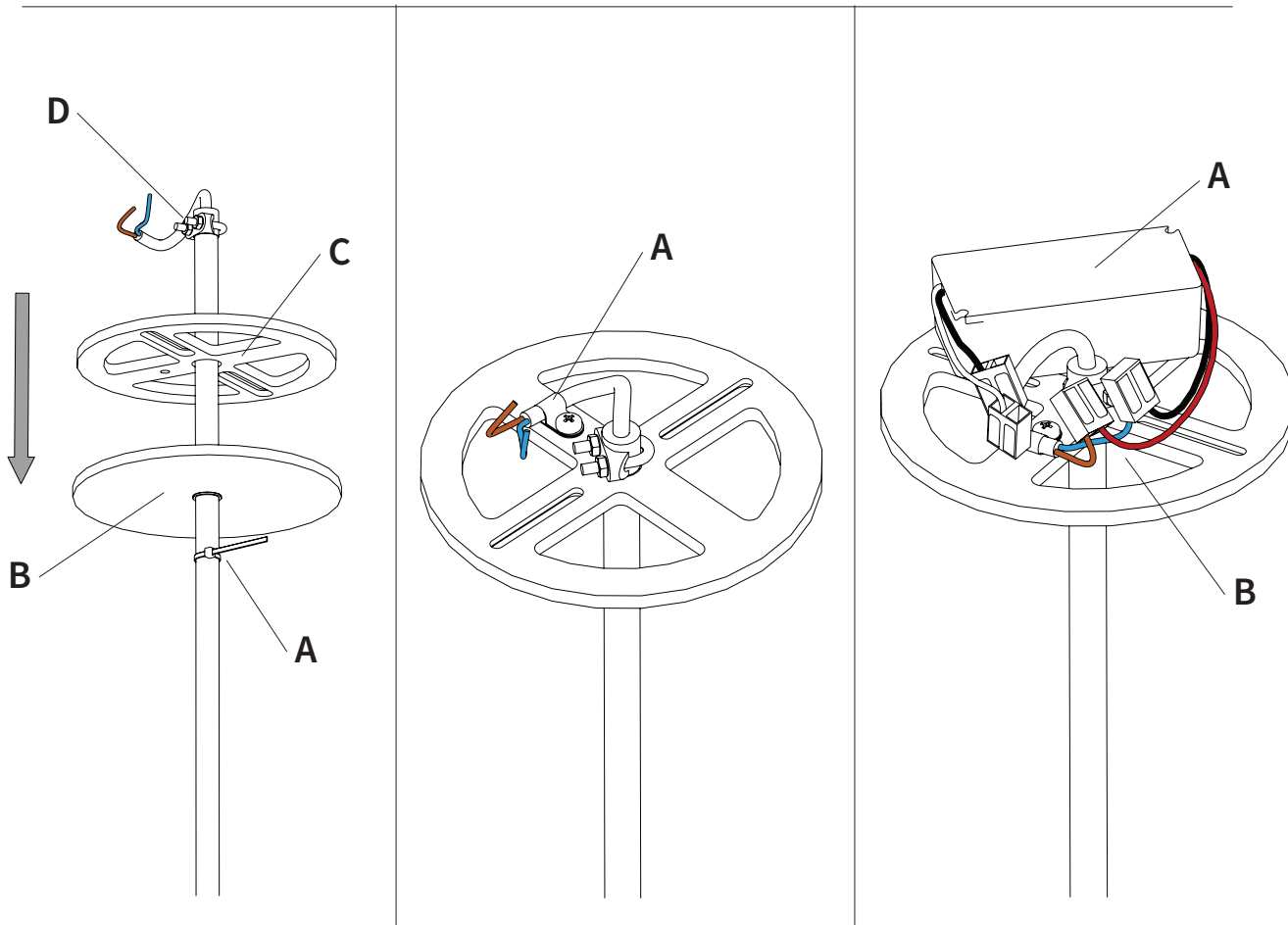


CABLE BLOCKER

SAFETY INFORMATION

ONLY SUITABLE FOR DIRECT MOUNTING ON NON-COMBUSTIBLE SURFACES.  
SUITABLE FOR DRY, INDOOR USE ONLY.  
MAXIMUM AMBIENT TEMPERATURE: 30°C

LAMP BRACKET ASSEMBLY



1 - PLACE A CABLE TIE (A) AROUND THE LEATHER ROPE AND THEN SLIDE THE CANOPY (B) AND THE CEILING BRACKET (C) ONTO THE LEATHER ROPE.

2 - FIRMLY SECURE THE CABLE BLOCKER (D) AT THE ROPE END.

3 - SECURE THE ELECTRIC CABLE TO THE CEILING BRACKET WITH THE NYLON CLAMP (A).

4 - CONNECT THE 24V OUTPUT OF THE LED DRIVER (A) TO THE ELECTRICAL CABLE OF THE FIXTURE USING THE WAGO CONNECTORS (B) (+24VCC BROWN / -24VCC BLUE)

**WRONG CONNECTION WILL DAMAGE IRREPARABLY THE LAMP.**

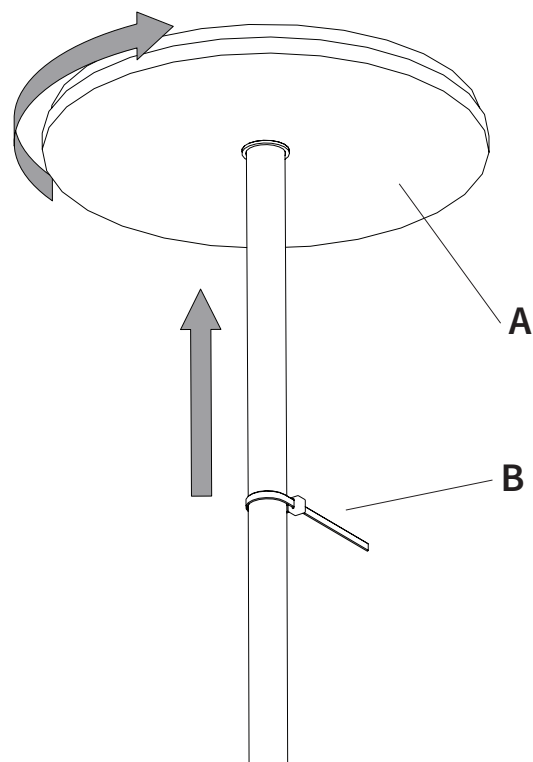
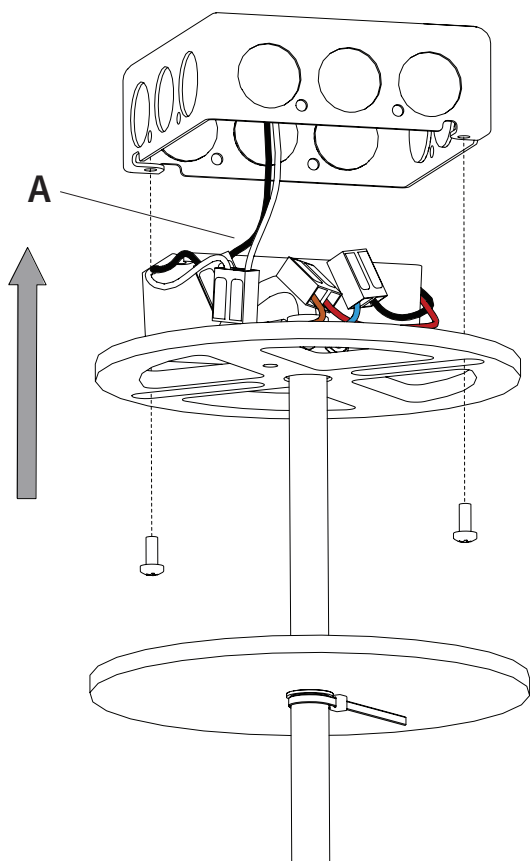
NOTE

PLEASE CONTACT A LICENSED ELECTRICIAN.

**USE NITRILE GLOVES TO HANDLE THE COMPONENTS TO AVOID FINGERPRINTS.**

WE TRY OUR BEST FOR ALL GOODS TO LEAVE OUR PREMISES IN PRISTINE CONDITION, BUT SOMETIMES PRODUCTS MAY ARRIVE WITH MINOR OXIDISATION MARKS, REVEALING THE HIGH CRAFTSMANSHIP PROCESS.

LAMP BRACKET ASSEMBLY



5 - MAKE THE ELECTRICAL CONNECTIONS BETWEEN THE LEAD AC WIRES AND THE LED DRIVER USING THE PROVIDED WAGO CONNECTORS (A)

6 - TUCK THE CONNECTED WIRES AND THE LED DRIVER INTO THE JUNCTION BOX AND SECURE THE CANOPY BRACKET TO THE CEILING JUNCTION-BOX WITH THE APPROPRIATE SCREWS.

7 - RAISE AND SECURE THE CANOPY (A), THREADING THEM ON UNTIL THE CANOPY IS FLUSH WITH THE CEILING BRACKET.

REMOVE THE PLASTIC TIE (B) FROM THE LEATHER ROPE.

**THE CLIENT IS RESPONSIBLE TO ENSURE FASTENERS ARE ATTACHED TO A ROBUST STRUCTURAL SUBSTRATE.**

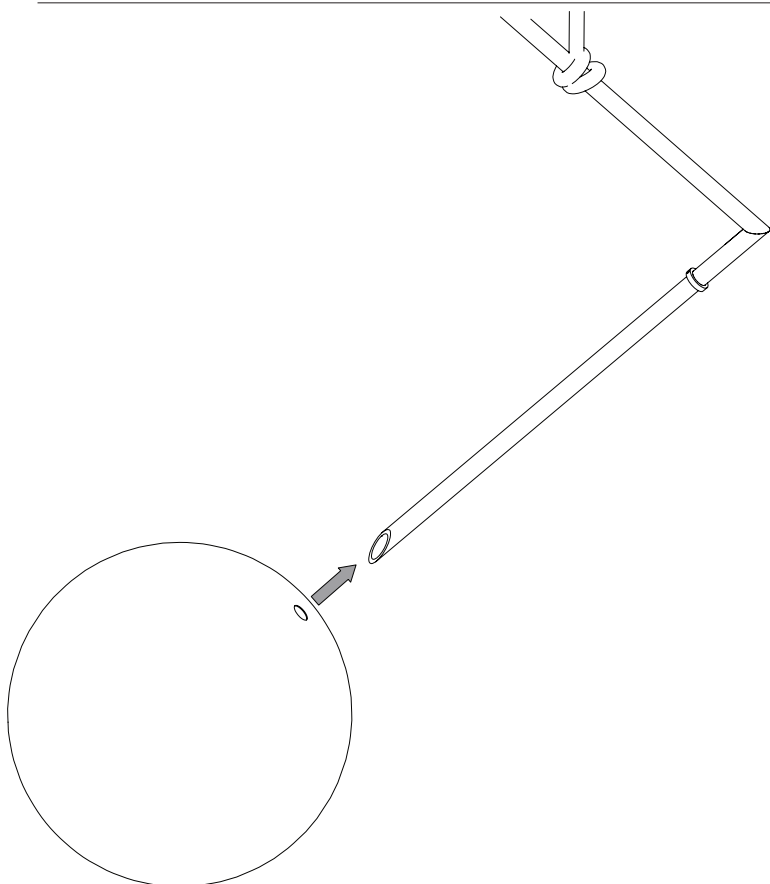
NOTE

PLEASE CONTACT A LICENSED ELECTRICIAN.

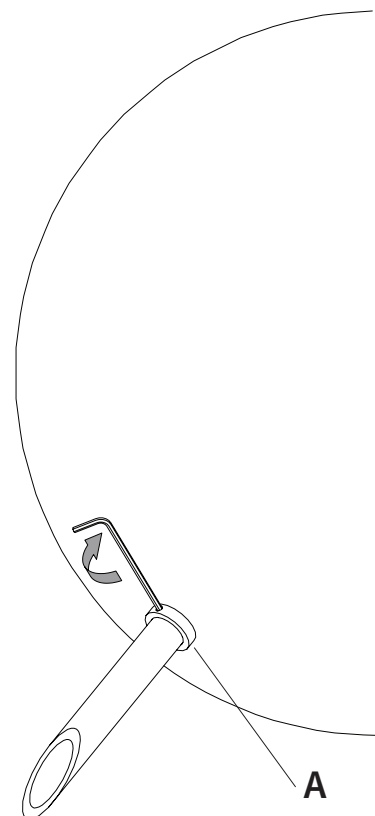
**USE NITRILE GLOVES TO HANDLE THE COMPONENTS TO AVOID FINGERPRINTS.**

WE TRY OUR BEST FOR ALL GOODS TO LEAVE OUR PREMISES IN PRISTINE CONDITION, BUT SOMETIMES PRODUCTS MAY ARRIVE WITH MINOR OXIDISATION MARKS, REVEALING THE HIGH CRAFTSMANSHIP PROCESS.

GLASS ASSEMBLY



8 - GENTLY SLIDE THE GLASS ON THE BRASS ROD.



9 - SLIDE THE RING (A) ON THE BRASS ROD.

10 - GENTLY SECURE IN PLACE WITH SET SCREWS ON TOP USING THE PROVIDED 1.5MM ALLEN-KEY

NOTE

PLEASE CONTACT A LICENSED ELECTRICIAN.

**USE NITRILE GLOVES TO HANDLE THE COMPONENTS TO AVOID FINGERPRINTS.**

WE TRY OUR BEST FOR ALL GOODS TO LEAVE OUR PREMISES IN PRISTINE CONDITION, BUT SOMETIMES PRODUCTS MAY ARRIVE WITH MINOR OXIDISATION MARKS, REVEALING THE HIGH CRAFTSMANSHIP PROCESS.