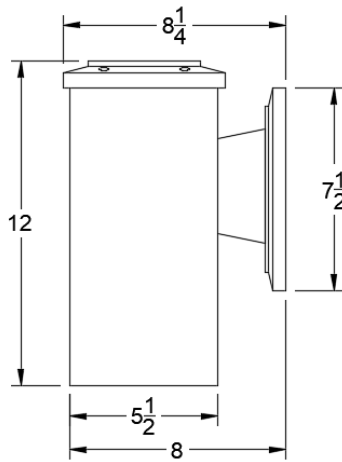


**Front Elevation**



**Side Elevation**

**PRODUCT DETAILS:**

- Can function with or without decorative cap to meet customer's needs.
- Available with eased or drawknife corner detail.
- UL certified to Standard 1598.
- Suitable for use in damp environments without the top cap and wet environments with the top cap.
- Bandsawn finish lamps are sawn to dimension by bandsaw which leaves a textured finish. Great for customers who want a classic look.
- Smooth finish lamps are sanded to a consistent texture, very smooth to the touch. Great for customers who want a near perfect finish.
- Dark Sky compliant with a top cap.

# SPIRIT LAKE COLLECTION

## LAMP 258 - 11"

Lamp 258 brings a touch of effortless elegance to your surroundings. This refined wall lamp, skillfully fashioned from the finest Western Red Cedar, is versatile enough to enhance any indoor or outdoor setting. With its gentle radiance, Lamp 258 creates a cozy and inviting atmosphere, revitalizing any space with a warm ambience.

DETAILS	
MATERIAL:	Western Red Cedar
TEXTURE:	Bandsawn, Smooth
FINISH:	Unfinished, Natural Oil

OVERALL DIMENSIONS	
WIDTH:	5-1/2"
WIDTH WITH TOP:	6"
DEPTH:	8-1/4"
HEIGHT:	11"
HEIGHT WITH TOP:	12"
WEIGHT:	3 lbs.

LIGHTING	
LIGHT SOURCE:	LED A19 Light Bulb
WATTAGE:	9W
VOLTAGE:	120V
COLOR TEMP:	2700k
LUMENS:	800
INCANDESCENT EQUIVALENCY:	60W
DIMMABLE:	Yes

INSTALLATION	
MOUNTING:	Wall Mounted
ELECTRIC WIRE LENGTH:	12"

SHIPPING	
BOX LENGTH:	10"
BOX WIDTH:	10"
BOX HEIGHT:	14"
BOX WEIGHT:	4 lbs.