

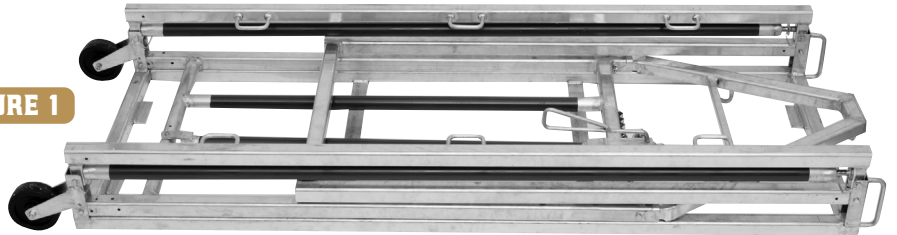


PROFESSIONAL CATTLE CHUTE ASSEMBLY INSTRUCTIONS

We worked closely with industry experts to develop this one-of-a-kind chute and we thank you for making it your chute of choice! This self-contained all aluminum chute is fully collapsible, with the side bars, top bars and triangle head piece fitting securely within the base for easy transportation and storage. Once in upright, in-use position, this easy-to-assemble chute is extremely sturdy and user-friendly.

When your chute arrives, it will be in fully collapsed position (**Figure 1**).

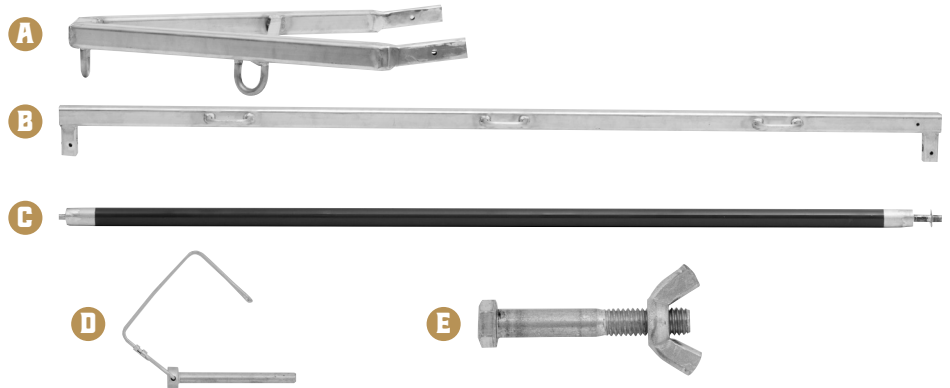
FIGURE 1



Pieces include:

Main Frame (includes Base, Rear Frame and Front Frame with Head Lock)

- (A) Triangle Head Piece
- (B) Top Bars (2)
- (C) Side Bars (2)
- (D) Hinge Pins (6) – will be attached to frame for secure transportation of separate pieces
- (E) Bolts with Wing Nuts (4) – will be attached to frame



Set-Up Instructions:

1. Remove chute from packaging and lay flat with the wheels on the floor (**Figure 1**)
2. Remove hinge pins from each corner of frame; set aside
3. Remove the four bolts with wing nuts from the frame pieces; set aside
4. Lift off top bars (side bars will be connected); set aside (**Figure 2**)
5. Lift Rear Frame piece to vertical position (**Figure 3**) and insert a hinge pin in the side-to-side holes at the base of each side of the Rear Frame and fasten on the outside of the frame
6. Remove remaining two hinge pins and pull out Triangle Head Piece (**Figure 4**); set aside

FIGURE 2



FIGURE 3

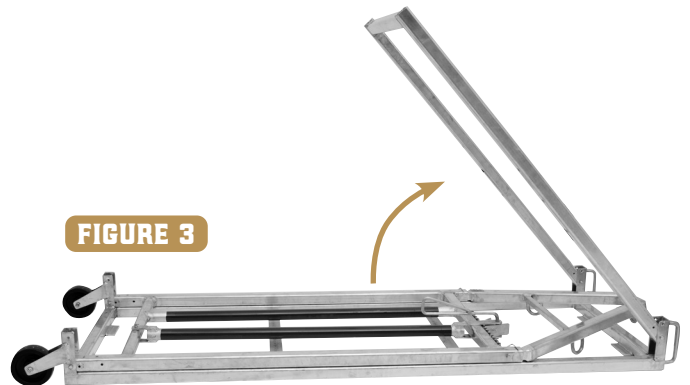


FIGURE 4



7. Lift Front Frame with Head Lock to vertical position (**Figure 5**) and insert a hinge pin in the side-to-side holes at the base of each side of the Front Frame and fasten on the outside of the frame
8. Near the base of both Front and Rear Frames, place bolts in the front-to-back holes and secure wing nut on the outside of the frame
9. Remove Side Bars from Top Bars, as shown (**Figure 6**); Side Bars are spring loaded for easy removal
10. Place Top Bars in Main Frame, with the handles facing inward
11. Insert Triangle Head Piece into top bars and secure with hinge pins from inside out
12. Place Side Bars in a variety of configurations to suit your needs (**Figure 7**)
13. Adjust Head Lock to desired position
14. Your Professional Chute is assembled and ready to use! (**Figure 8**)

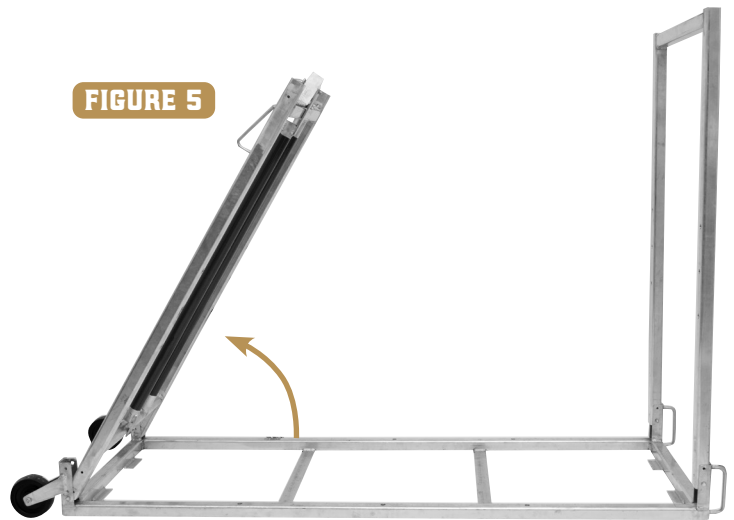


FIGURE 5



FIGURE 6

Tear Down Instructions:

1. Reverse the order of assembly, remembering to insert all hinge pins and bolts with wing nuts back into place for safe, secure transportation.

For questions, please contact our Livestock Division at 800-932-8371.

FIGURE 8



FIGURE 7

