

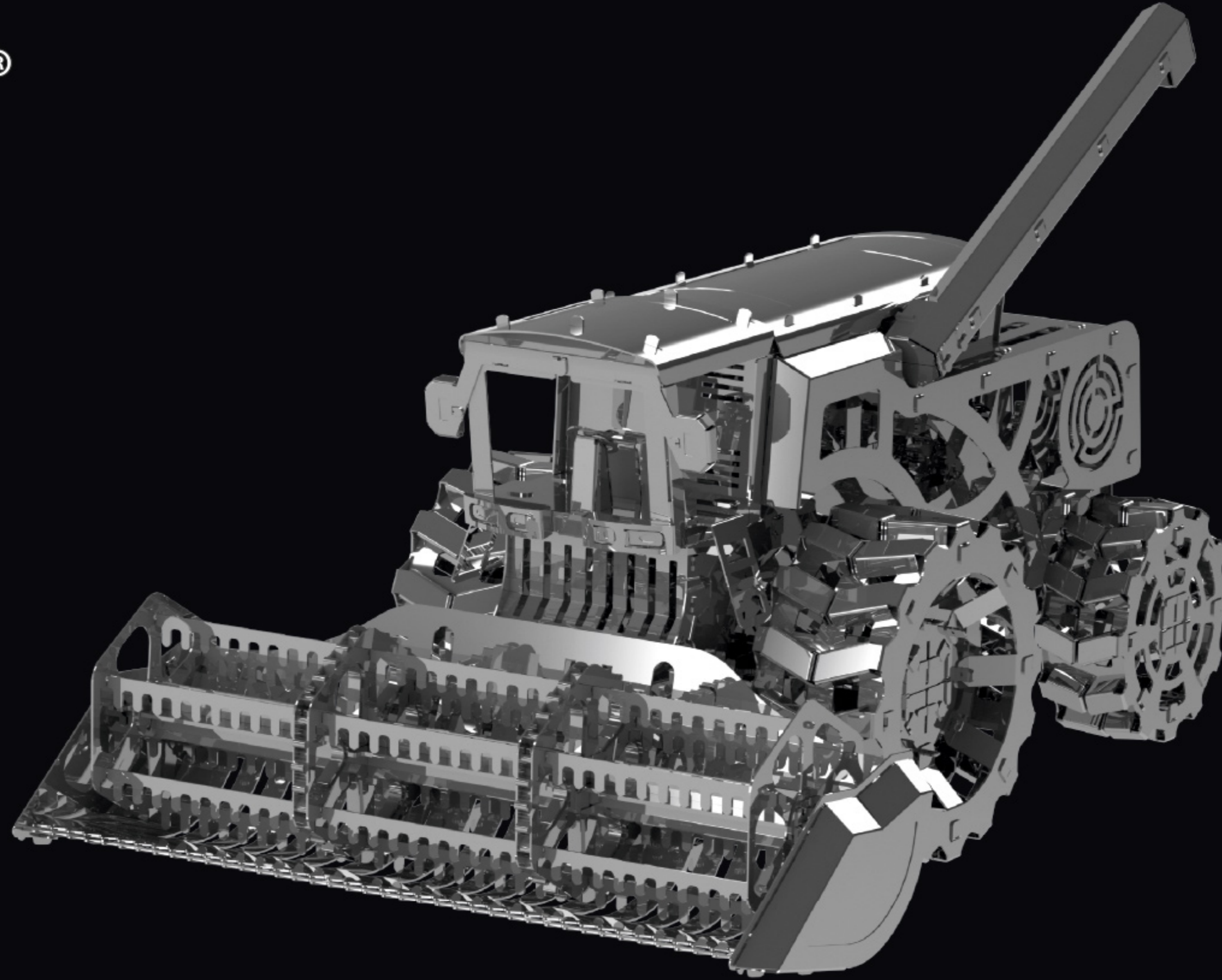


METAL<sup>®</sup>  
TIME

# VORACIOUS HARVESTER

3D Metal Mechanical Model Building Kit

Assembly instructions  
Інструкція зі складання  
Instrukcja montażu  
Istruzioni di montaggio  
Montageanleitung



Instructions de montage  
Instrucciones de montaje  
Instruções de montagem  
Инструкция по сборке  
装配说明书  
조립 설명서  
組立説明書

تعليمات التجميع  
הוראות הרכה

Collect the Best

148 PIECES

10 hours

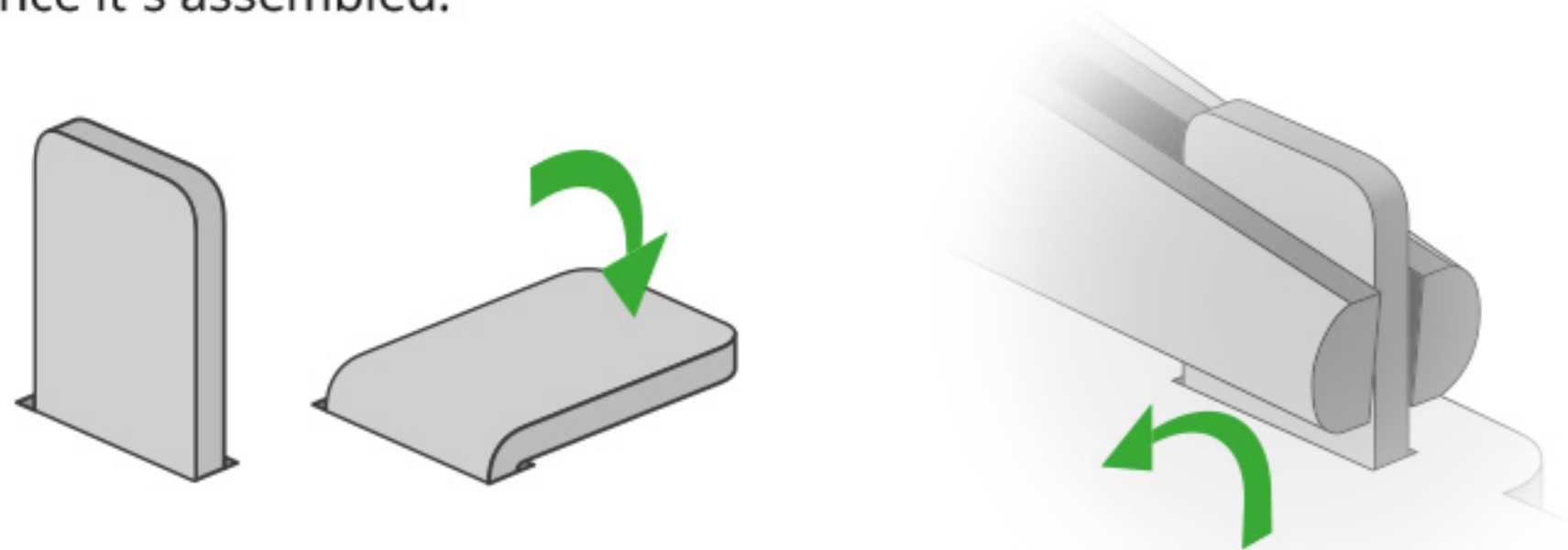
View of mechanism / Auger On-Off  
Spinning reel

AGES  
14+



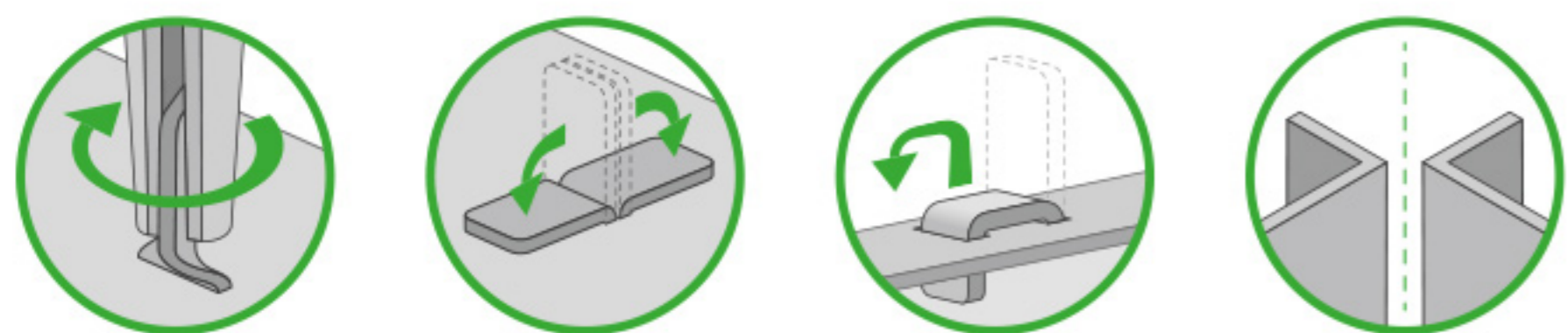
## STANDARD FIXING OF FASTENERS AND SYMBOLS

When assembling the model, don't rush, avoid pointing details at yours or anyone else's face. If one of the parts has a sharp edge, please file it down. Use pliers and additional tools to assemble the model. Each kit contains a cloth for wiping and polishing the model once it's assembled.



If there are no additional designations, use the standard fixing method

Use pliers to bend the fasteners



Twist the eyelet 45°

Bend the ears 90°

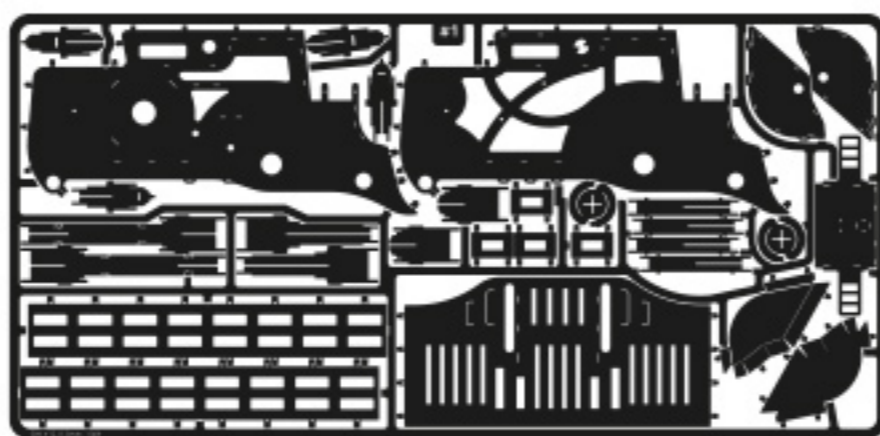
Bend the tip of the ear by 90°, then bend the whole ear by 90°

Assemble/bend parts symmetrically

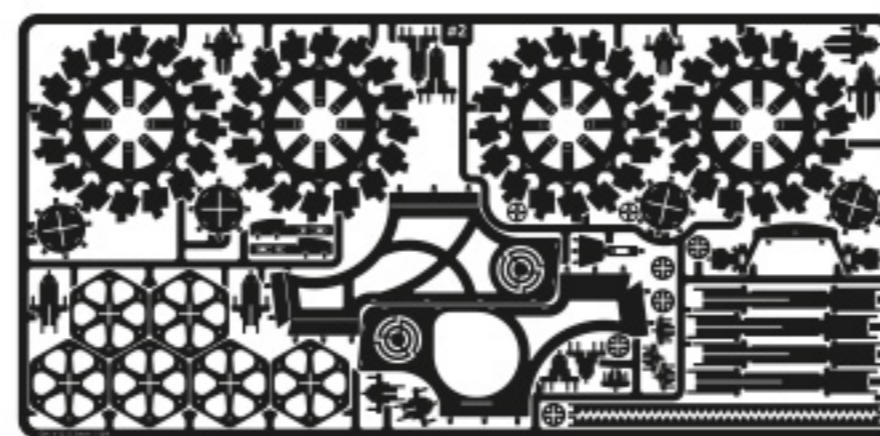
**WARNING!** Product contains small parts and sharp parts. Not suitable for children under 3 years of age. Please read these instructions carefully before assembly and use.

**WARNING!** Cut/remove the band that keeps the spring in place ONLY WITHIN the spring chamber/container. DO NOT cut the restraining band outside the assembled spring chamber, as the spring will unwind with force

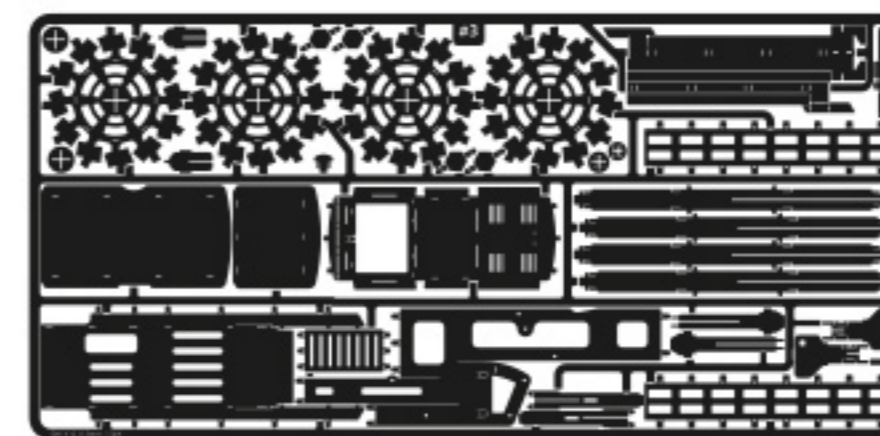
## MODEL PARTS AND ASSEMBLY TOOLS



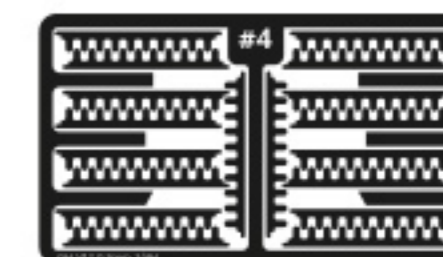
#1



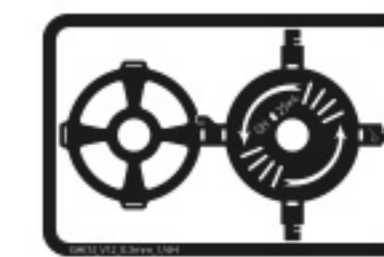
#2



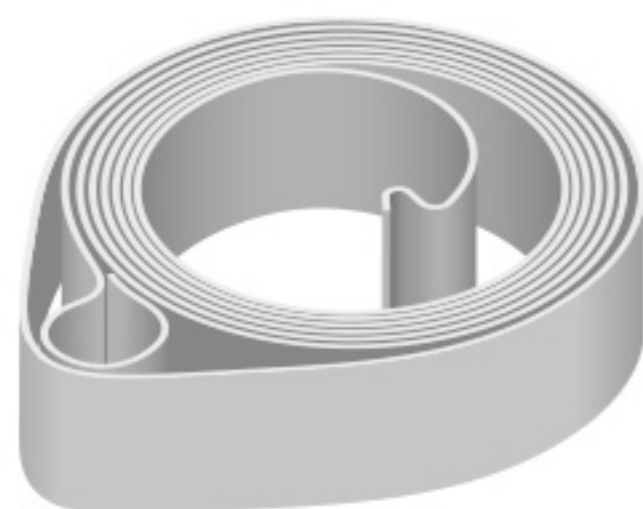
#3



#4



#5



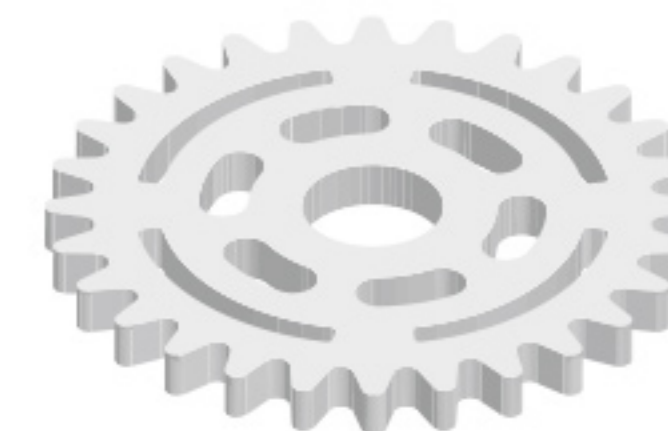
Spring



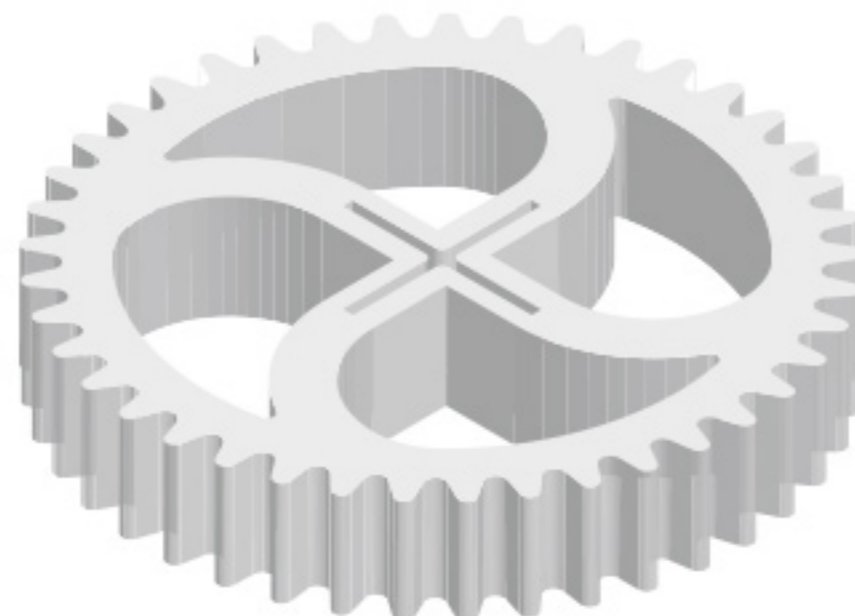
G1



G2



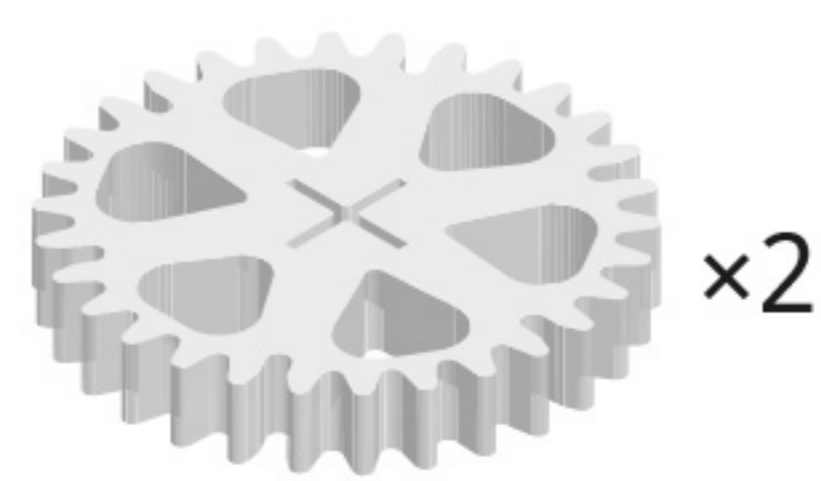
G3



G4



D1



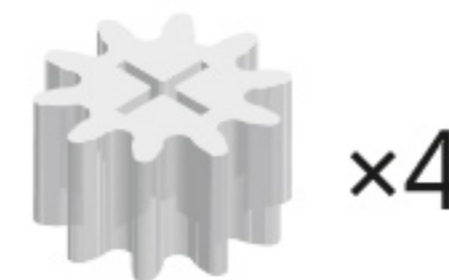
G6



G7



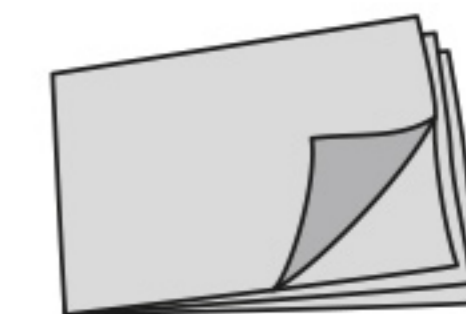
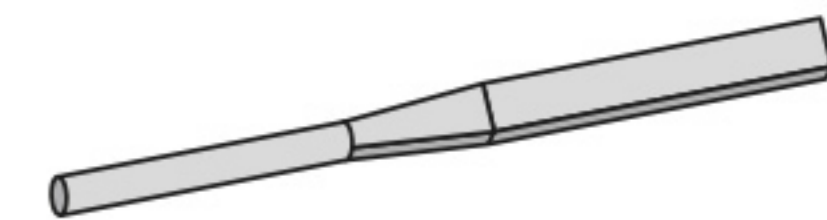
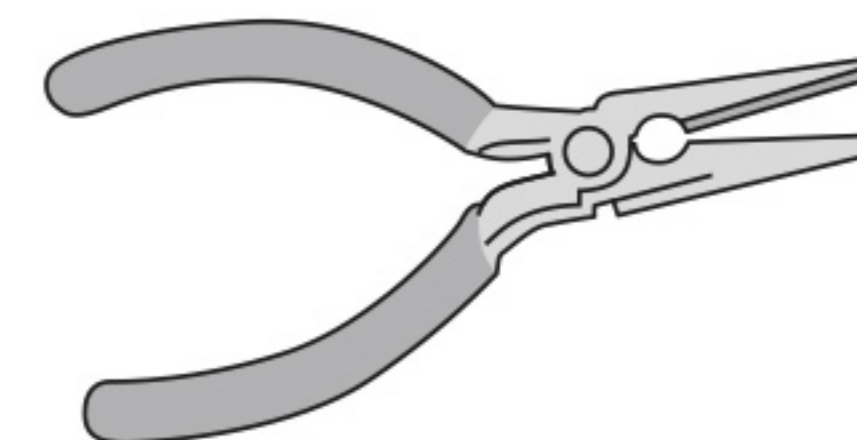
G8



G9

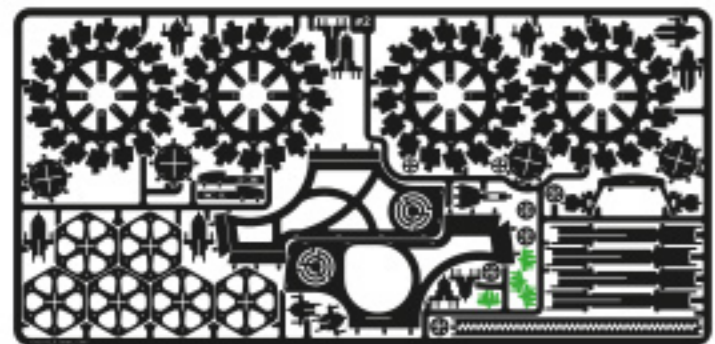


D2



Tools

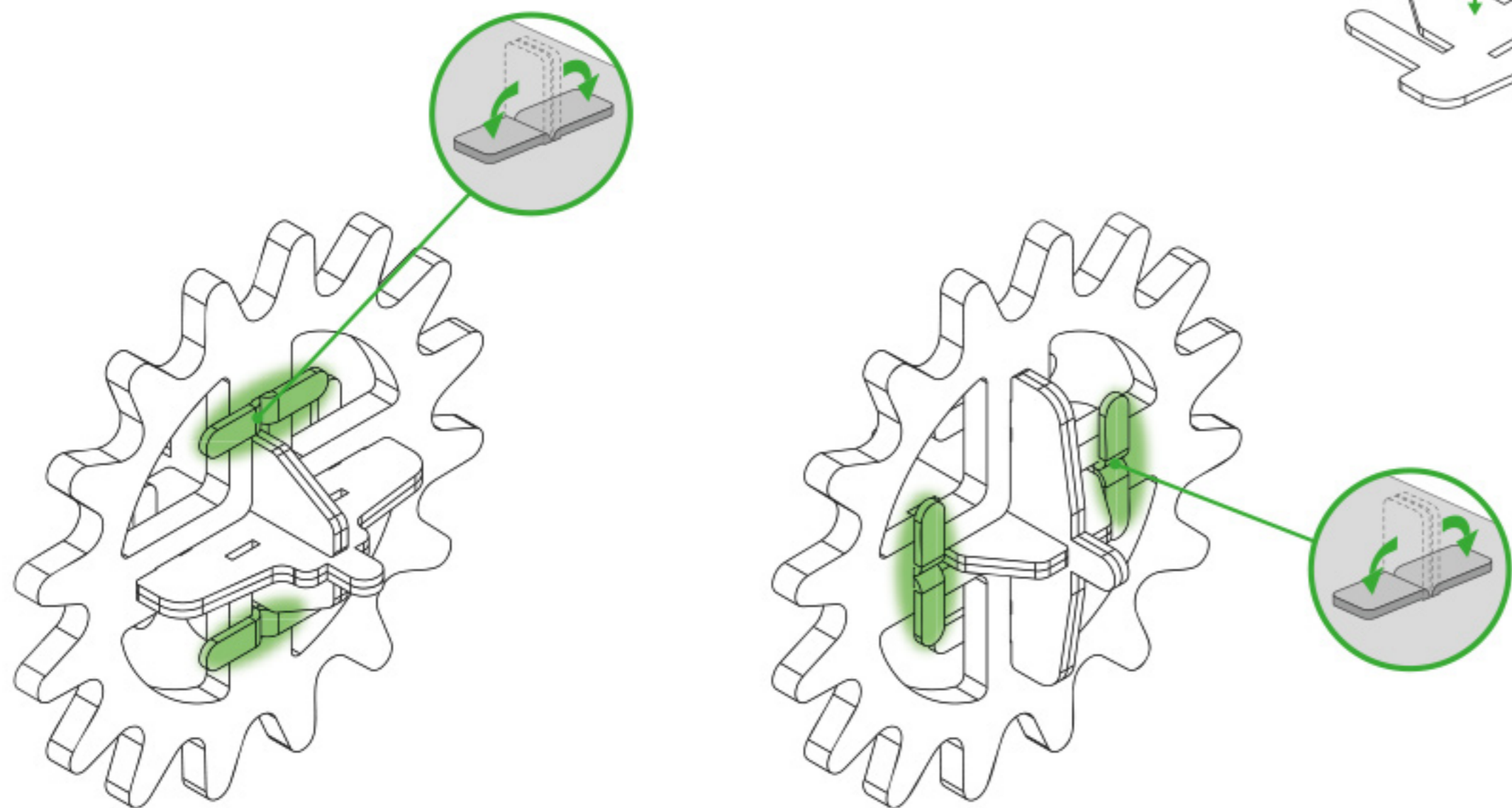
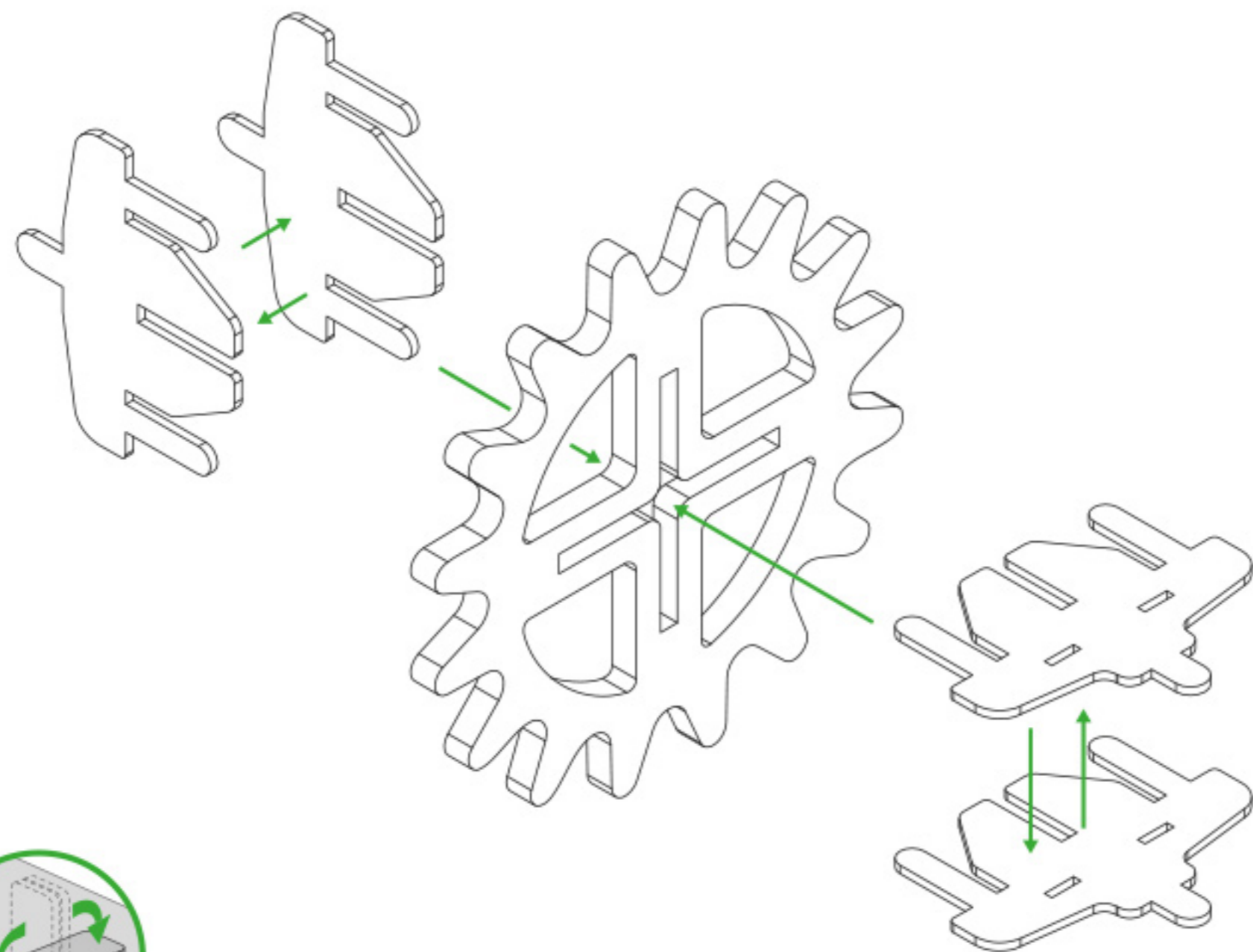




#2



G7



1



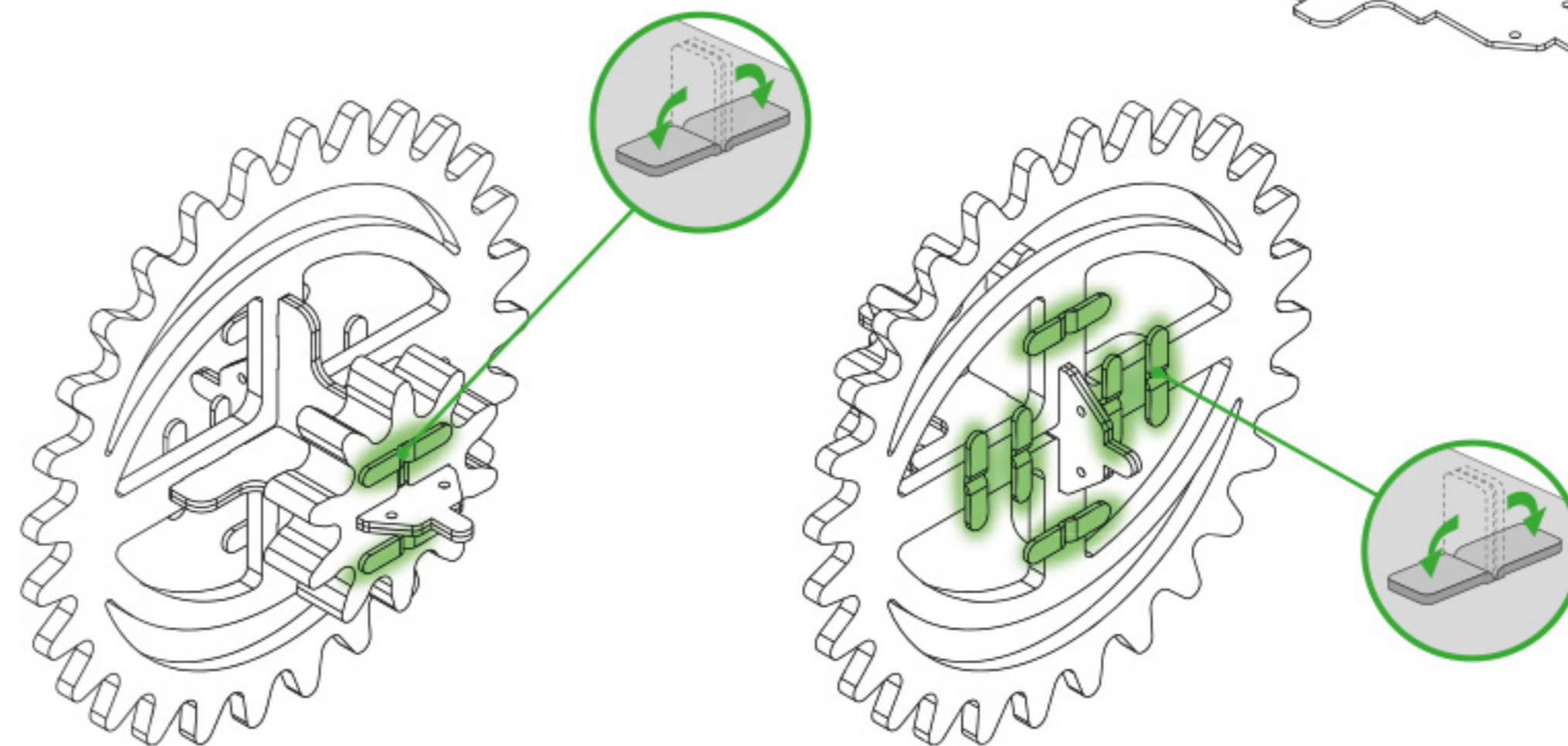
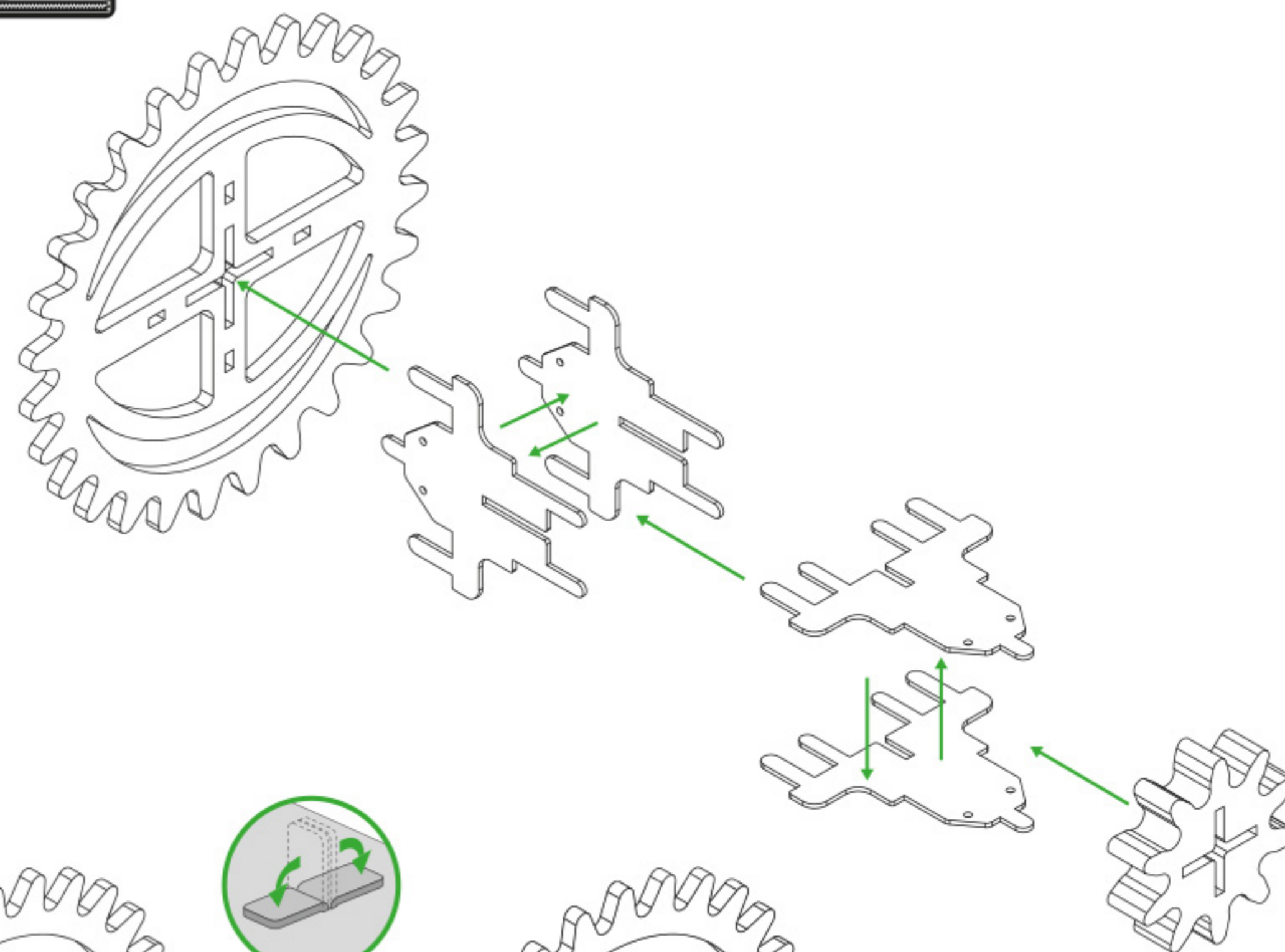
#2



G1



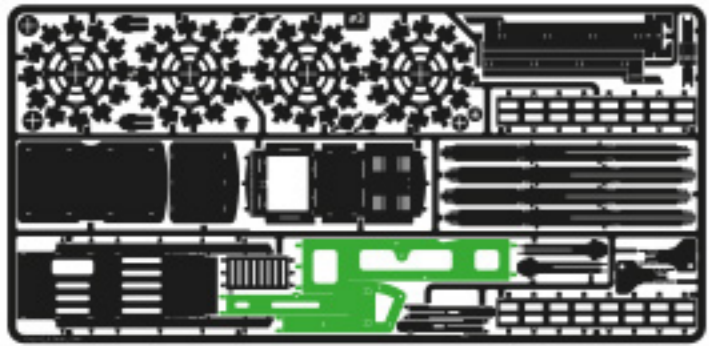
G9



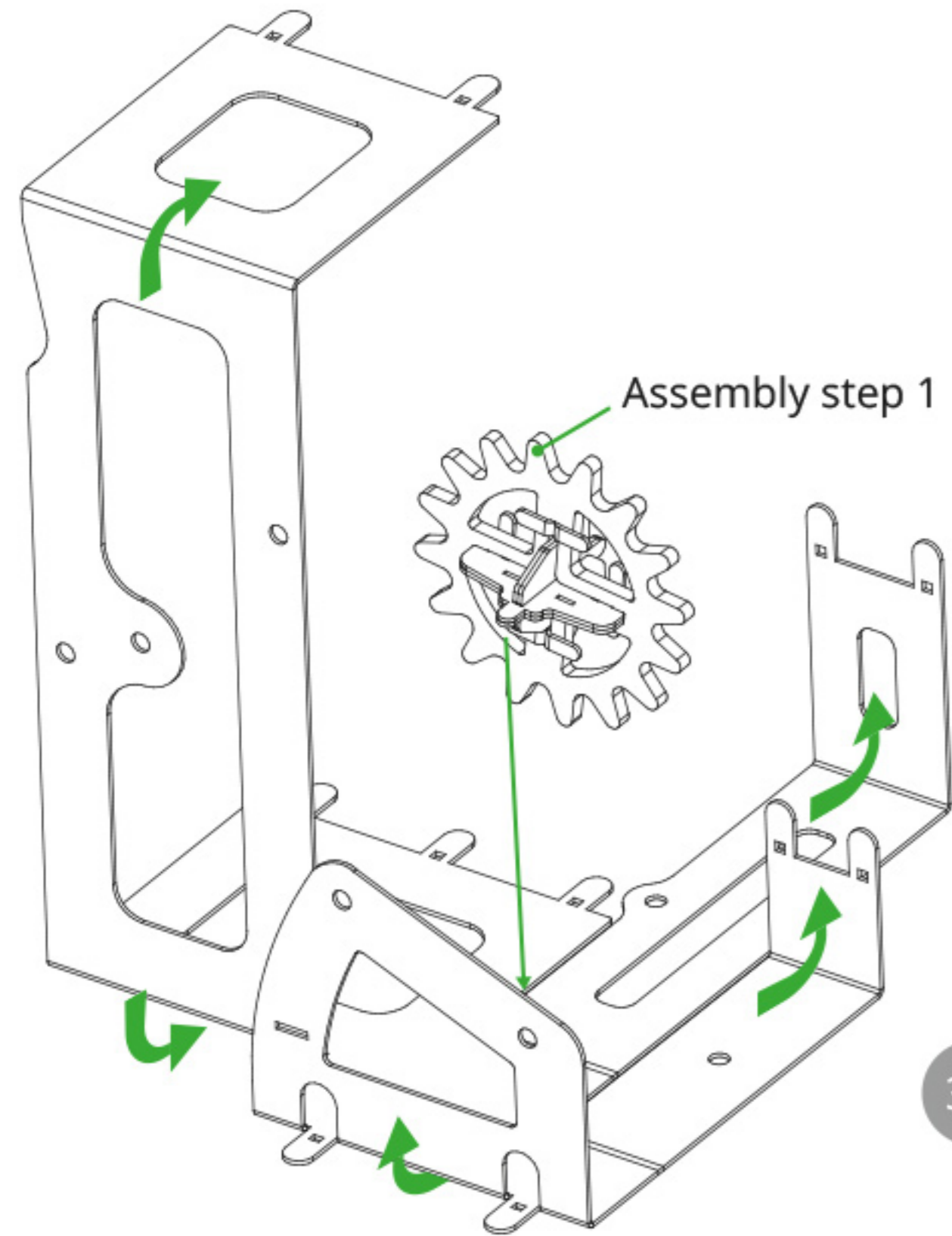
2

3

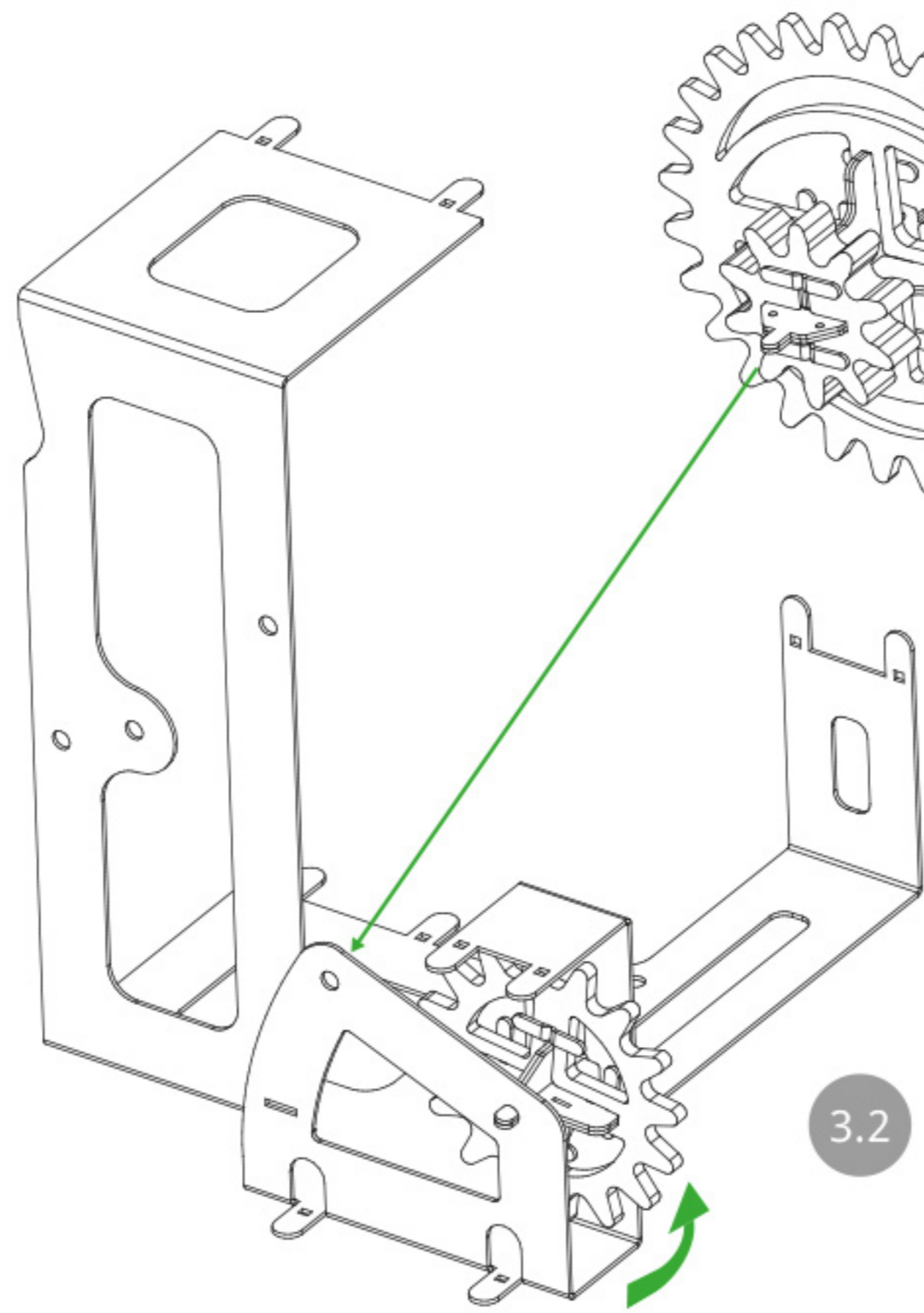




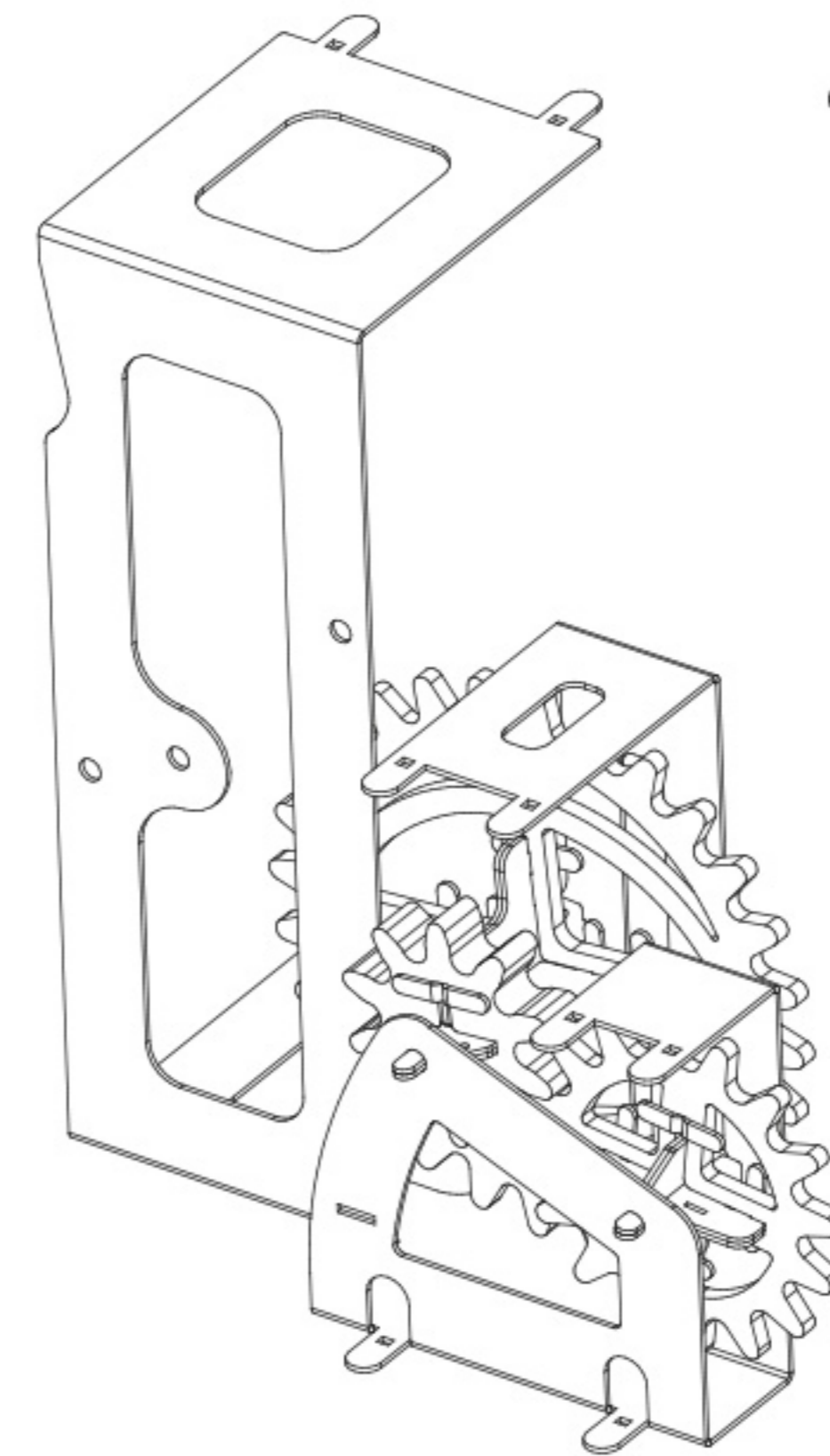
#3



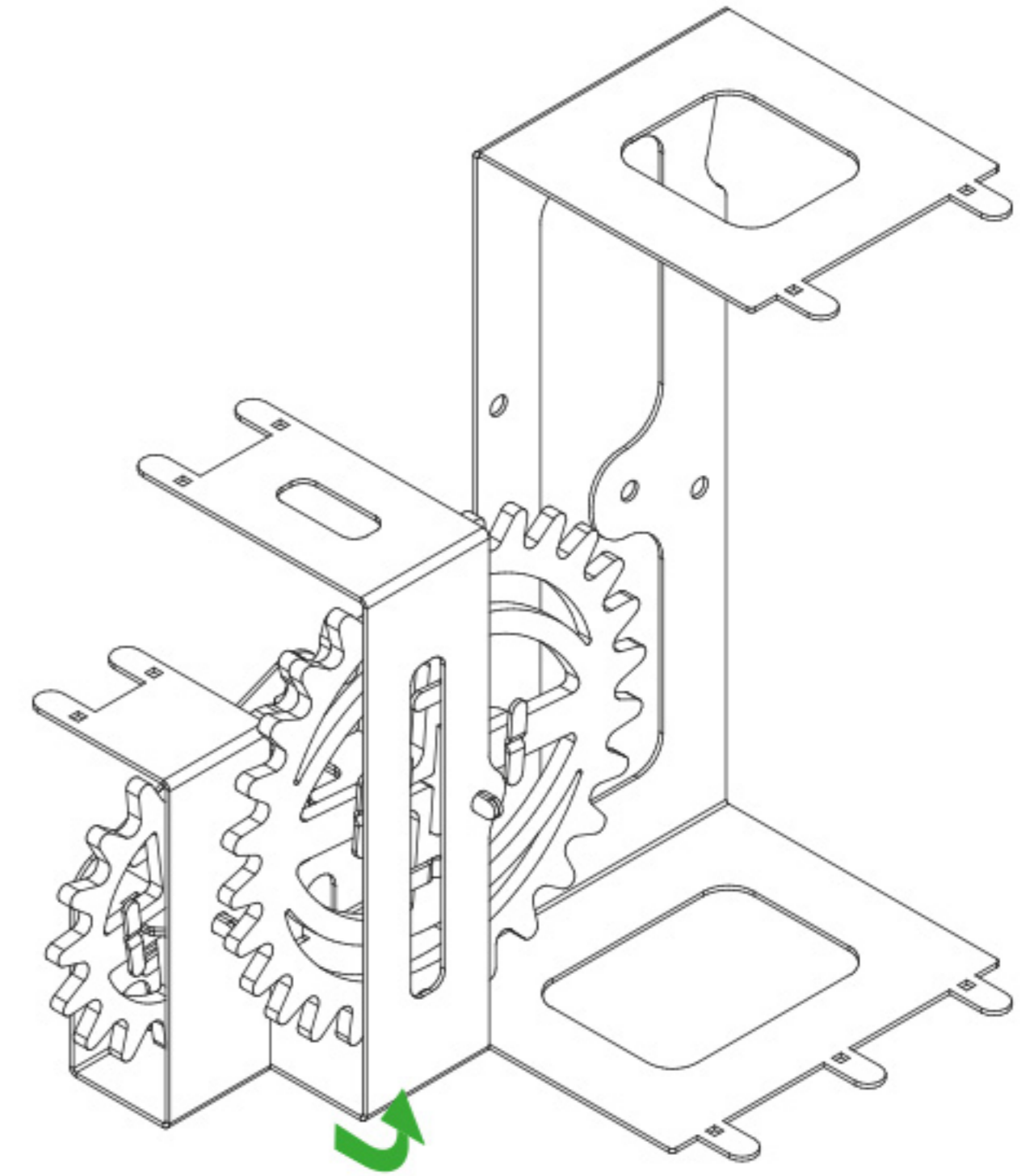
3.1



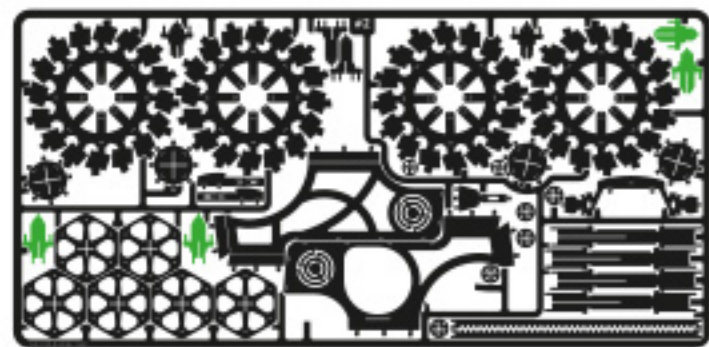
3.2



3.3





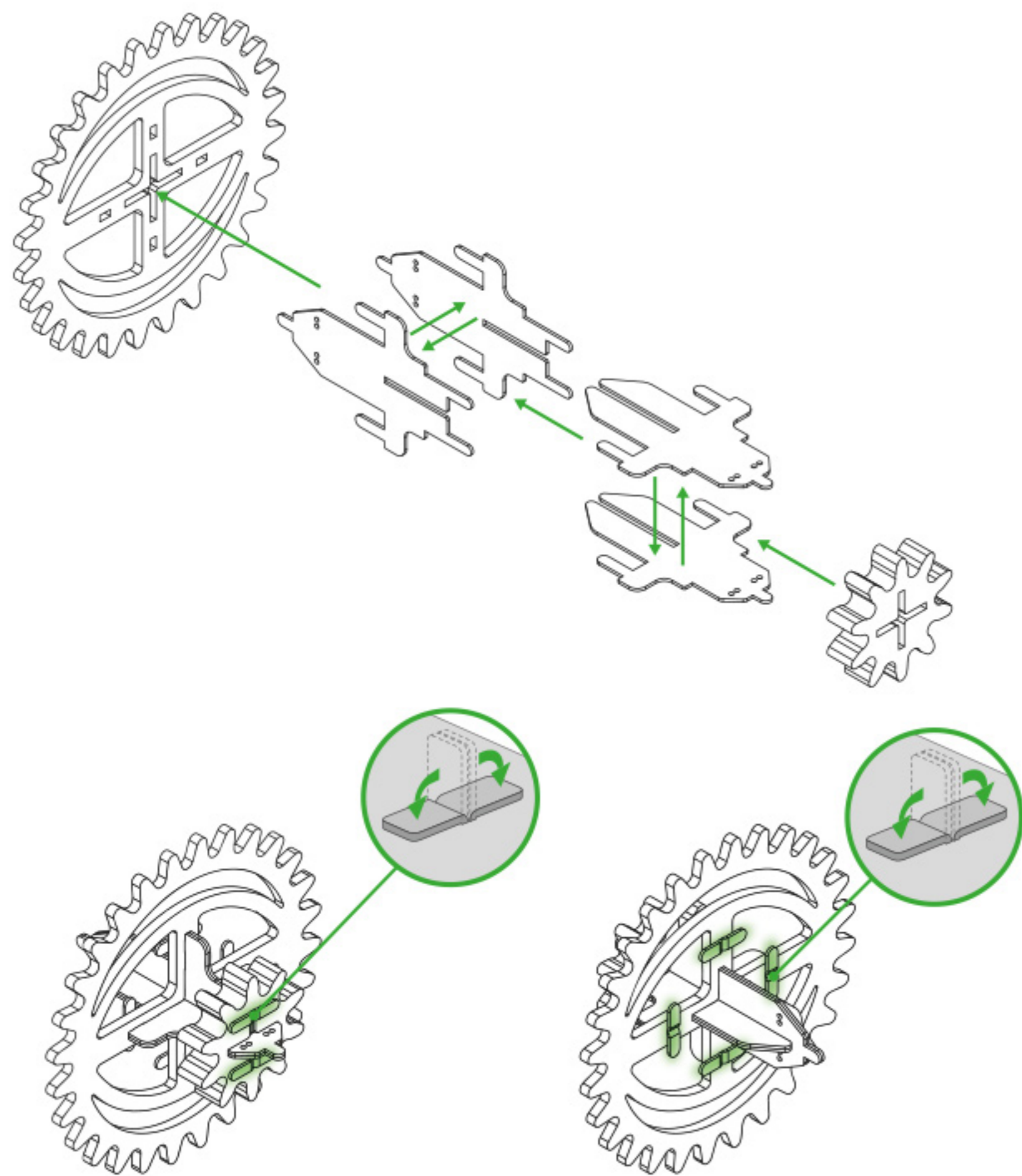


#2

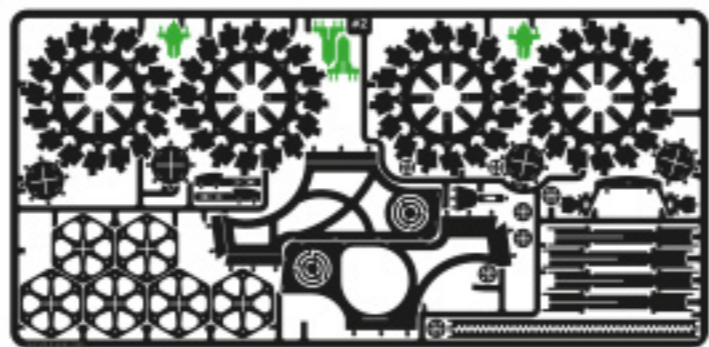


G1

G9



4

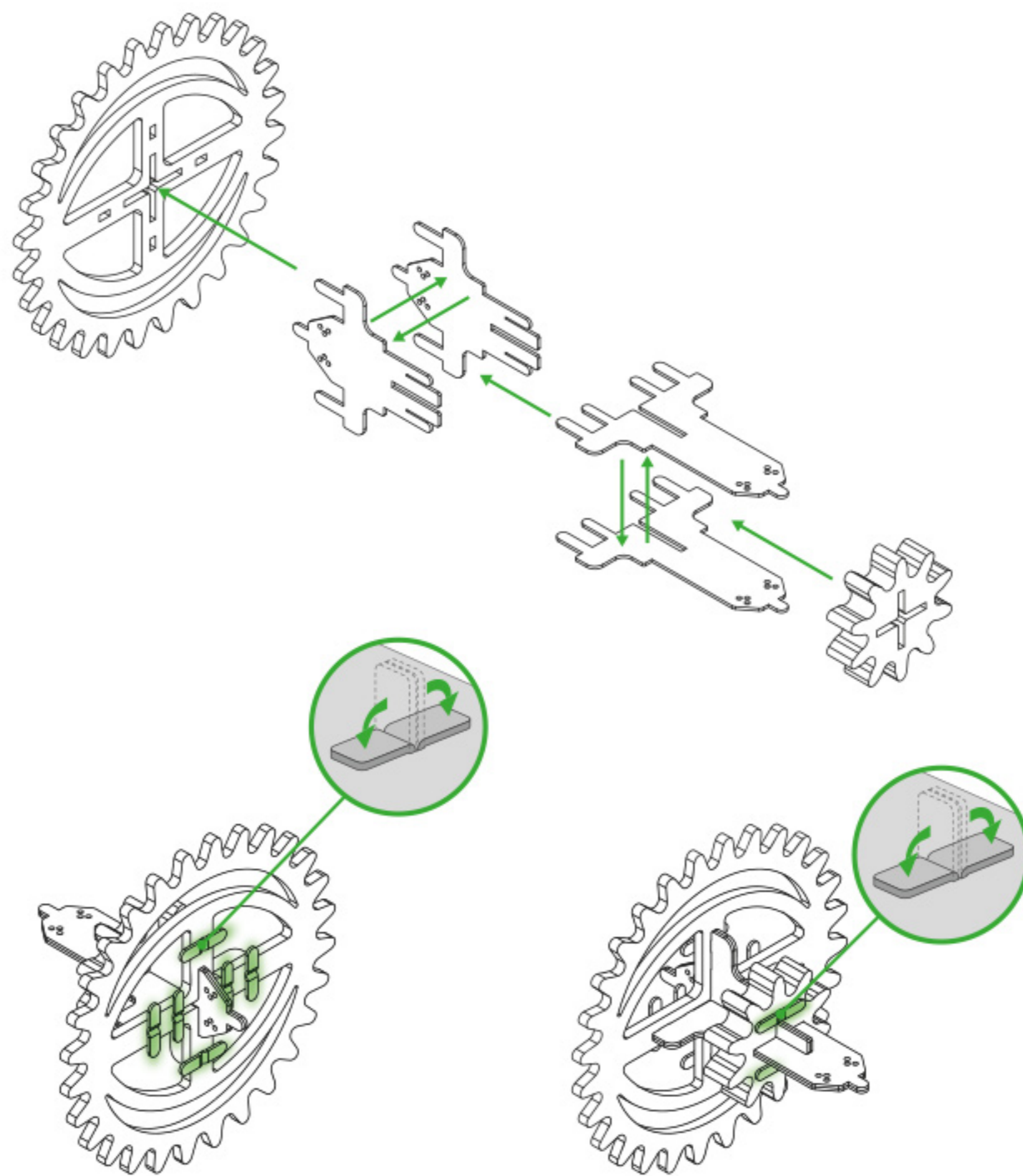


#2



G1

G9



5



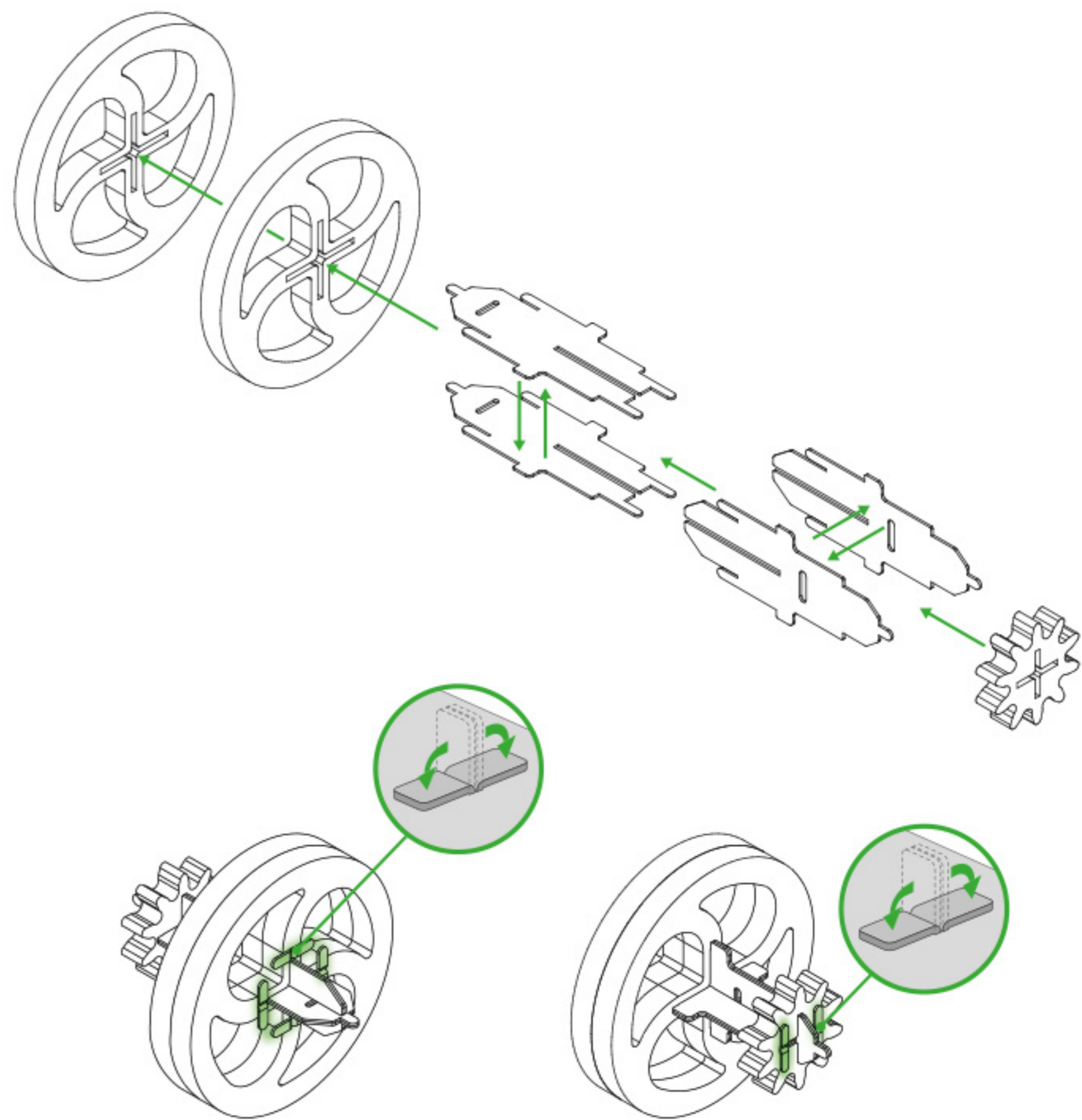
#1



x2

G9

D1

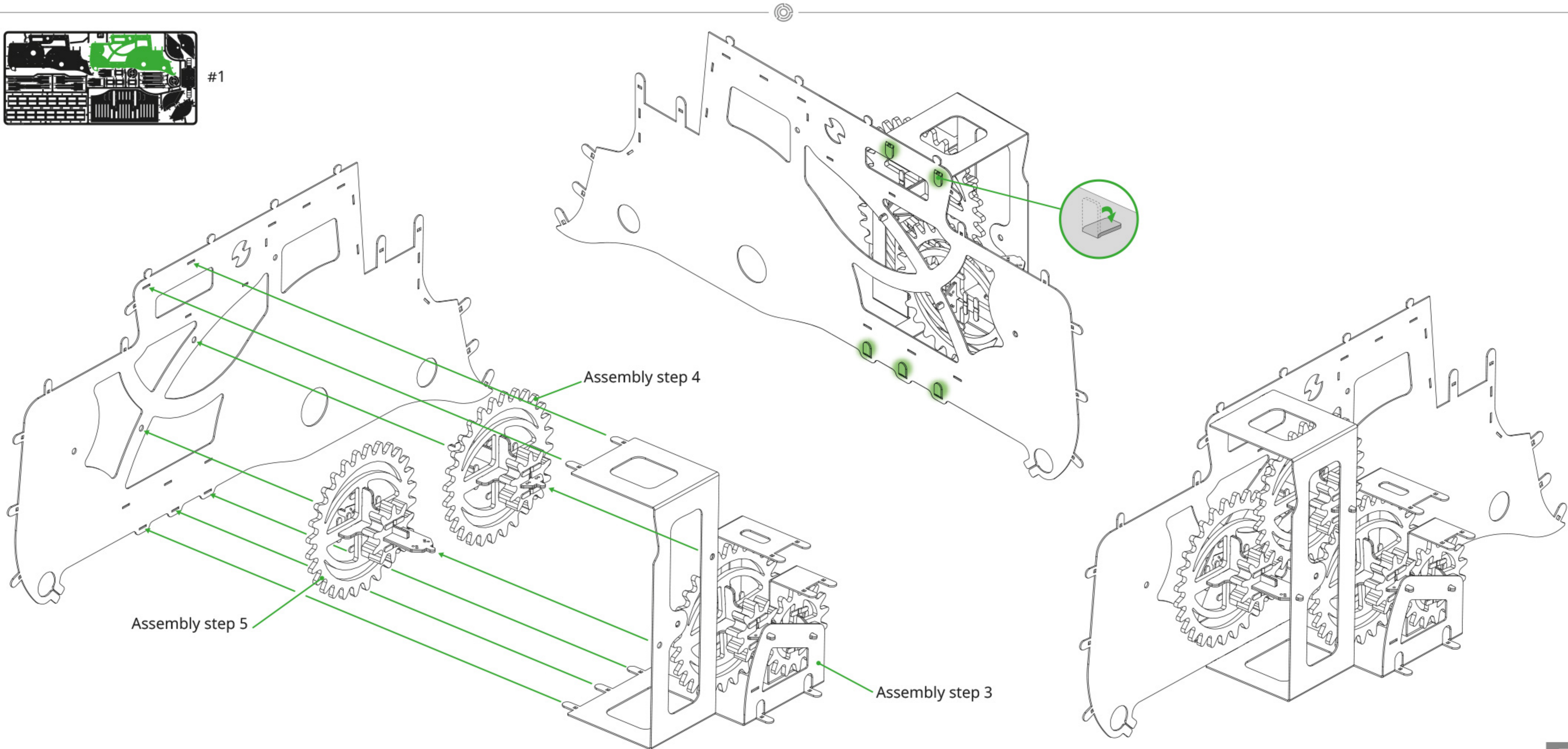


6

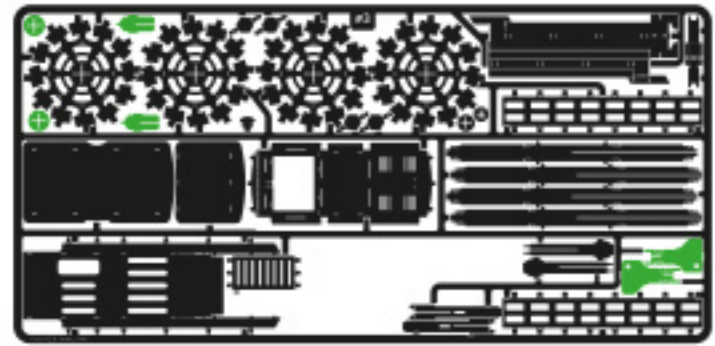




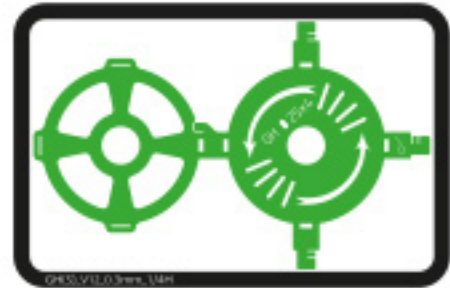
#1







#3



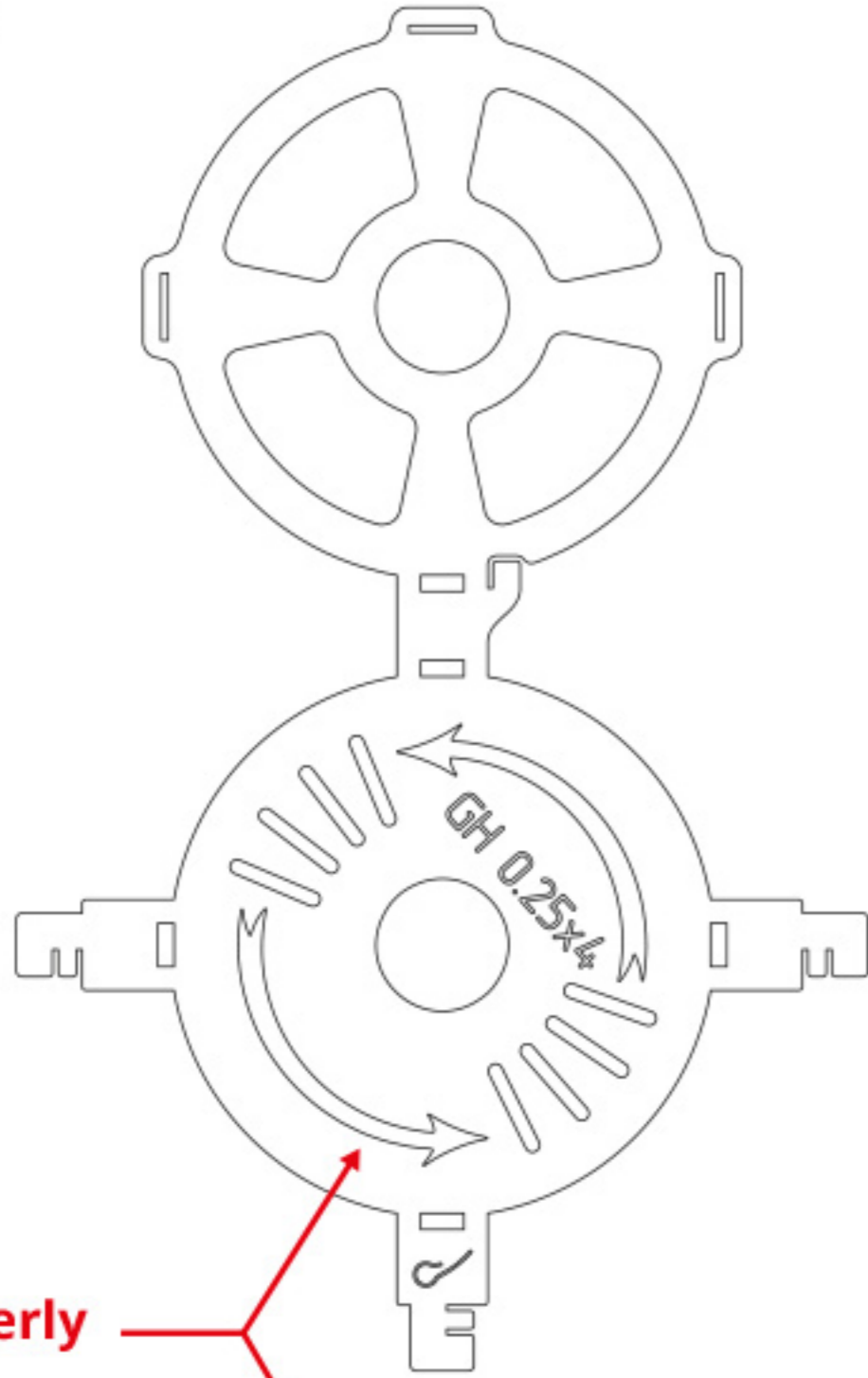
#5



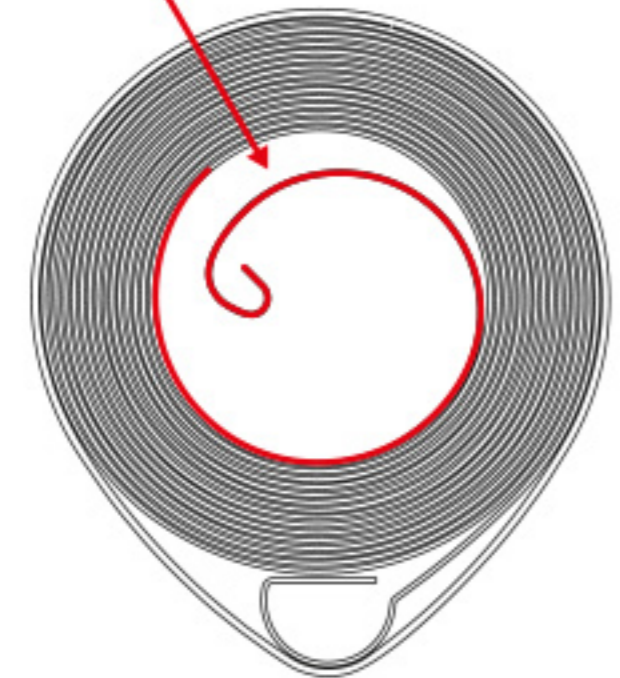
Spring



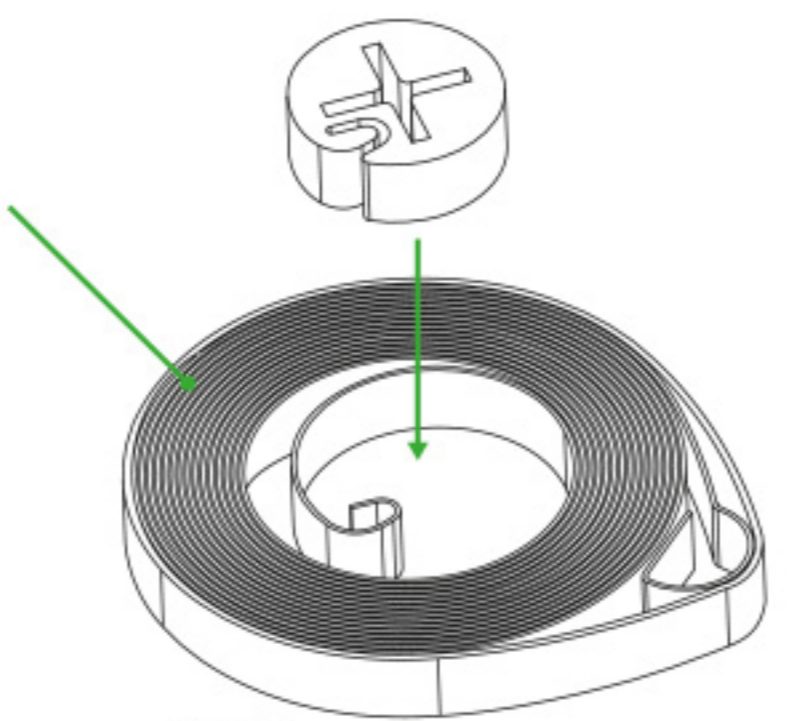
D2



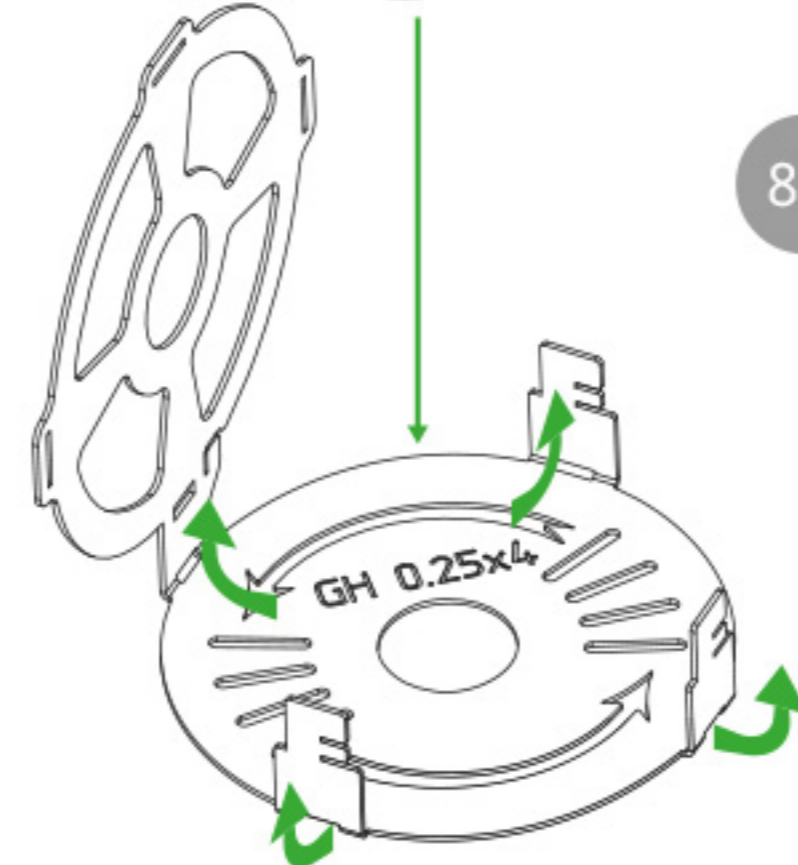
**⚠ Position the part properly as seen in the image**



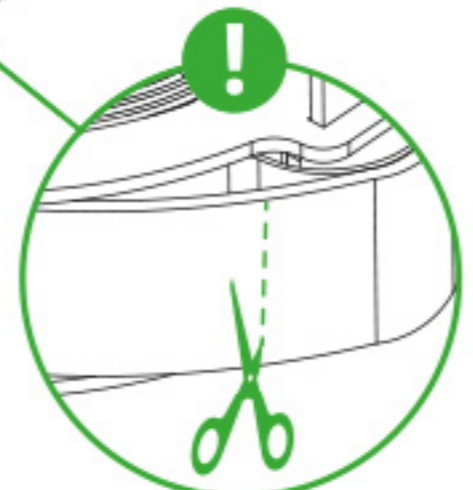
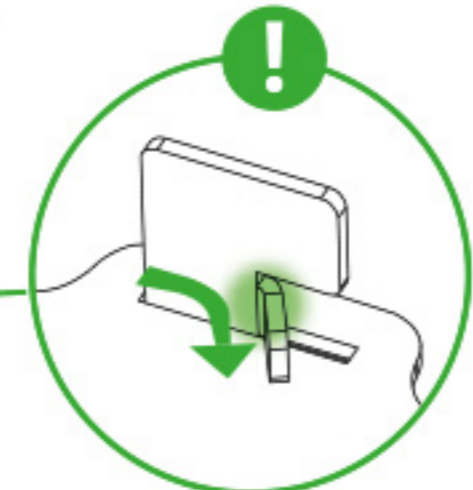
Spring



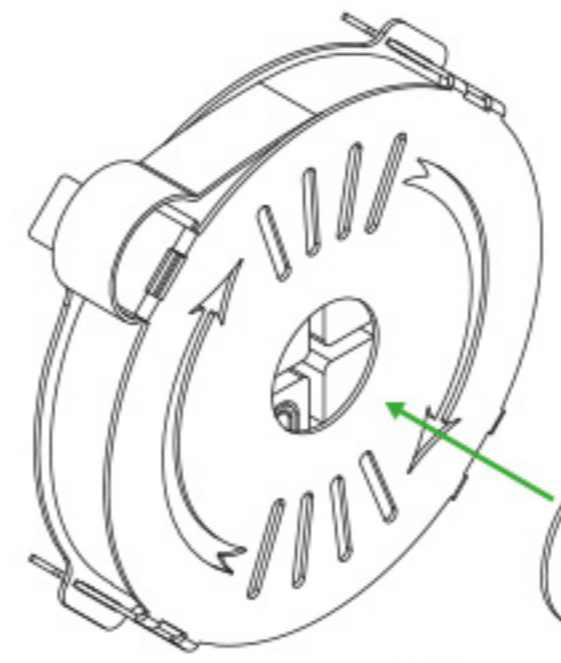
8.1



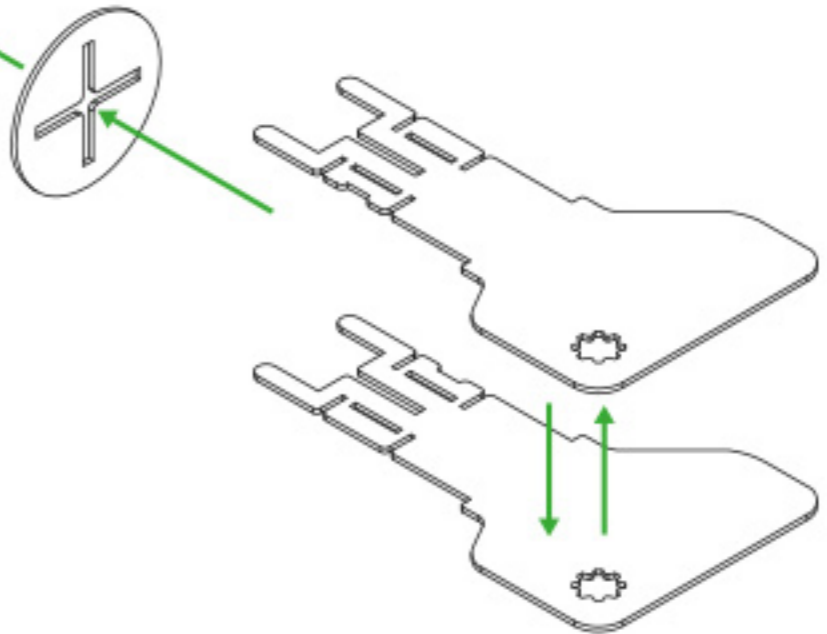
8.2



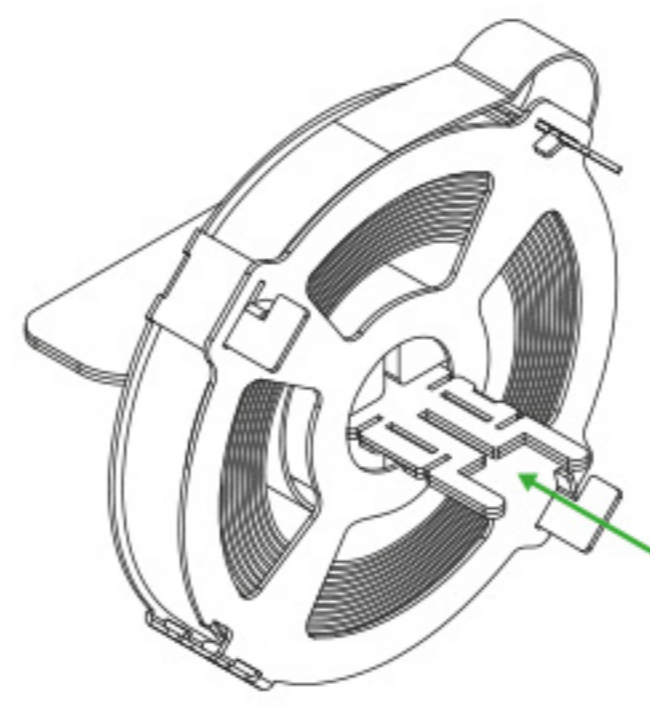
Cut the band after assembly



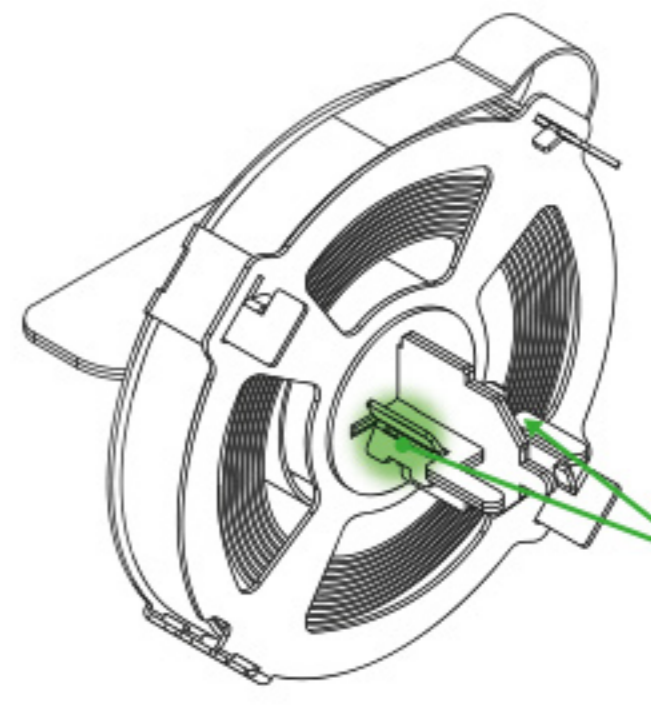
8.3



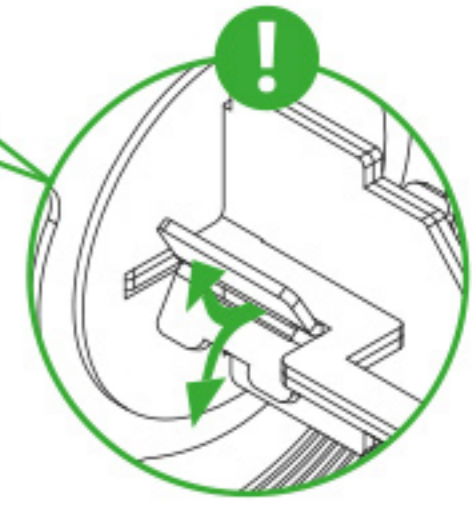
8.4



8.5



8.6



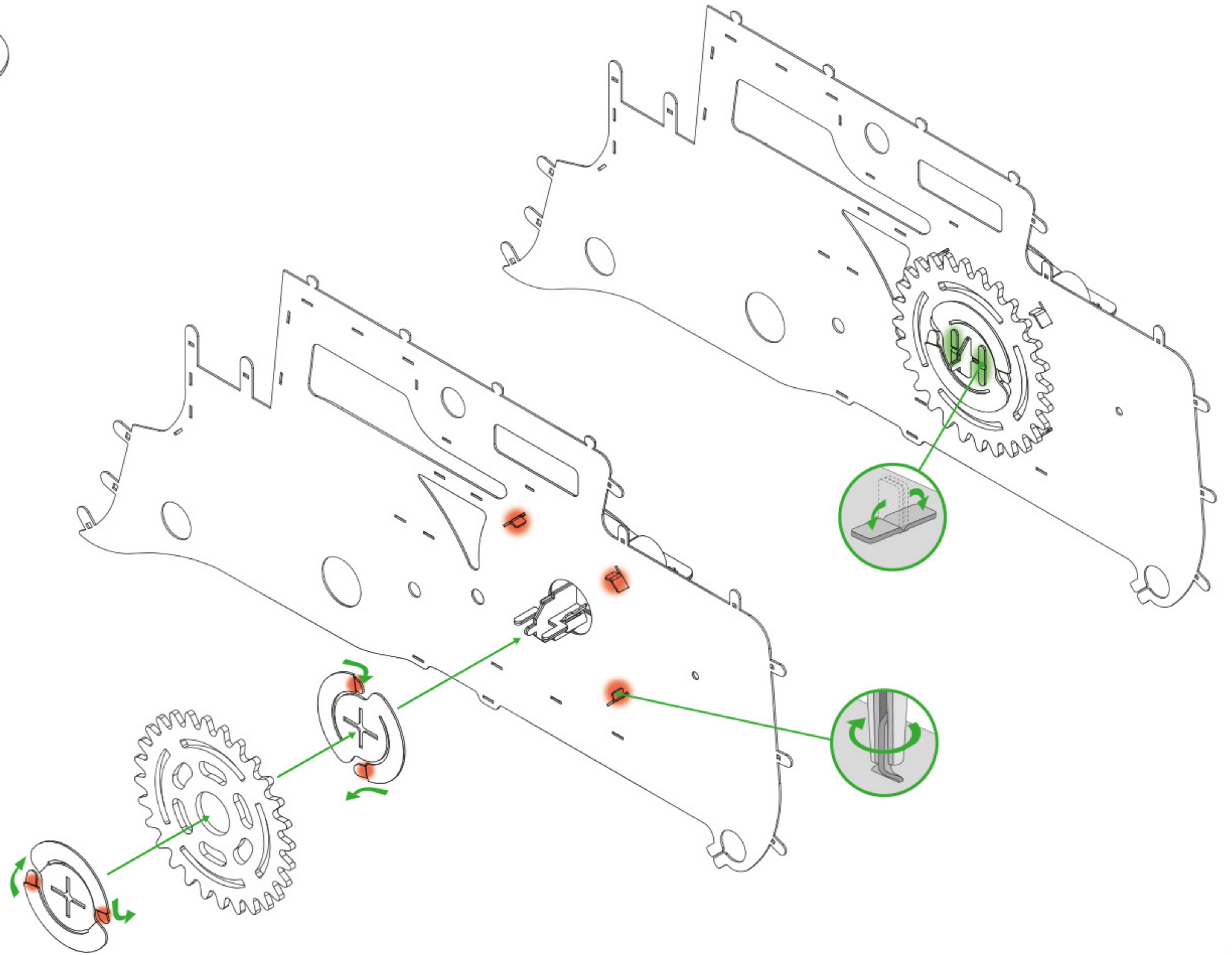
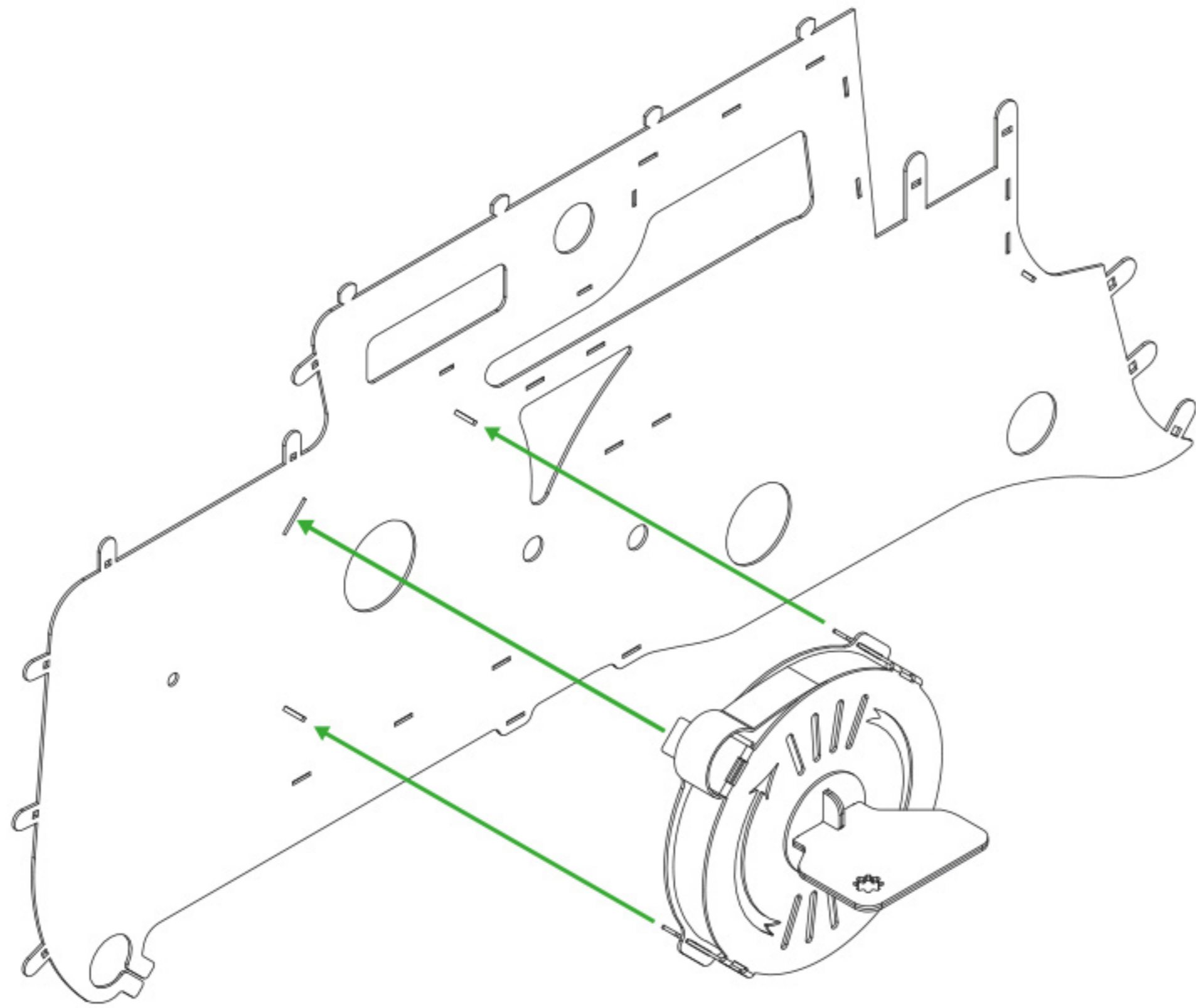
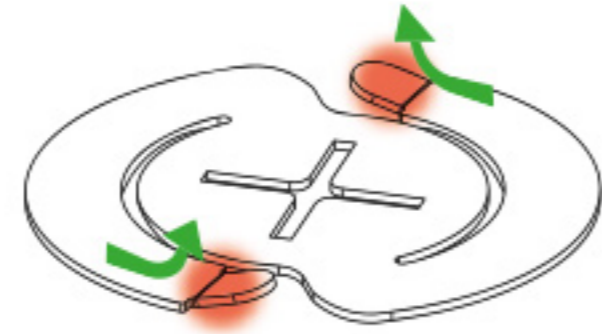
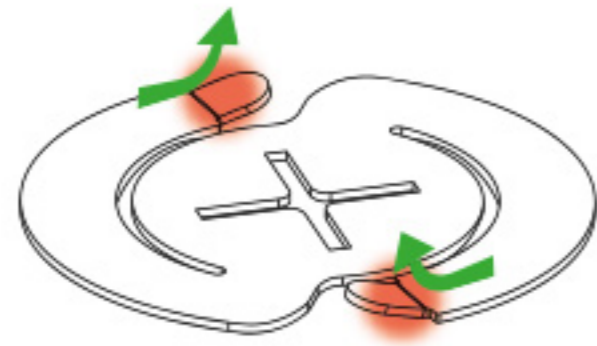




#1



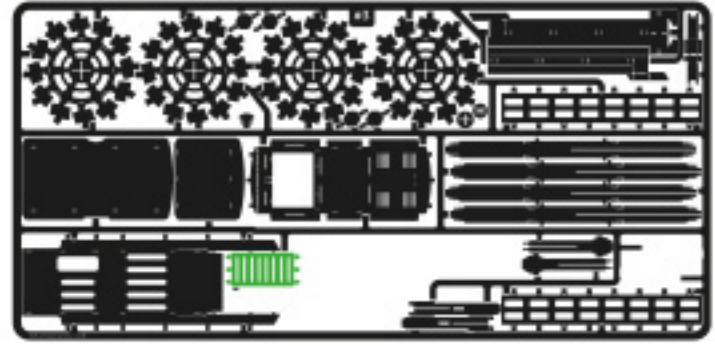
G3







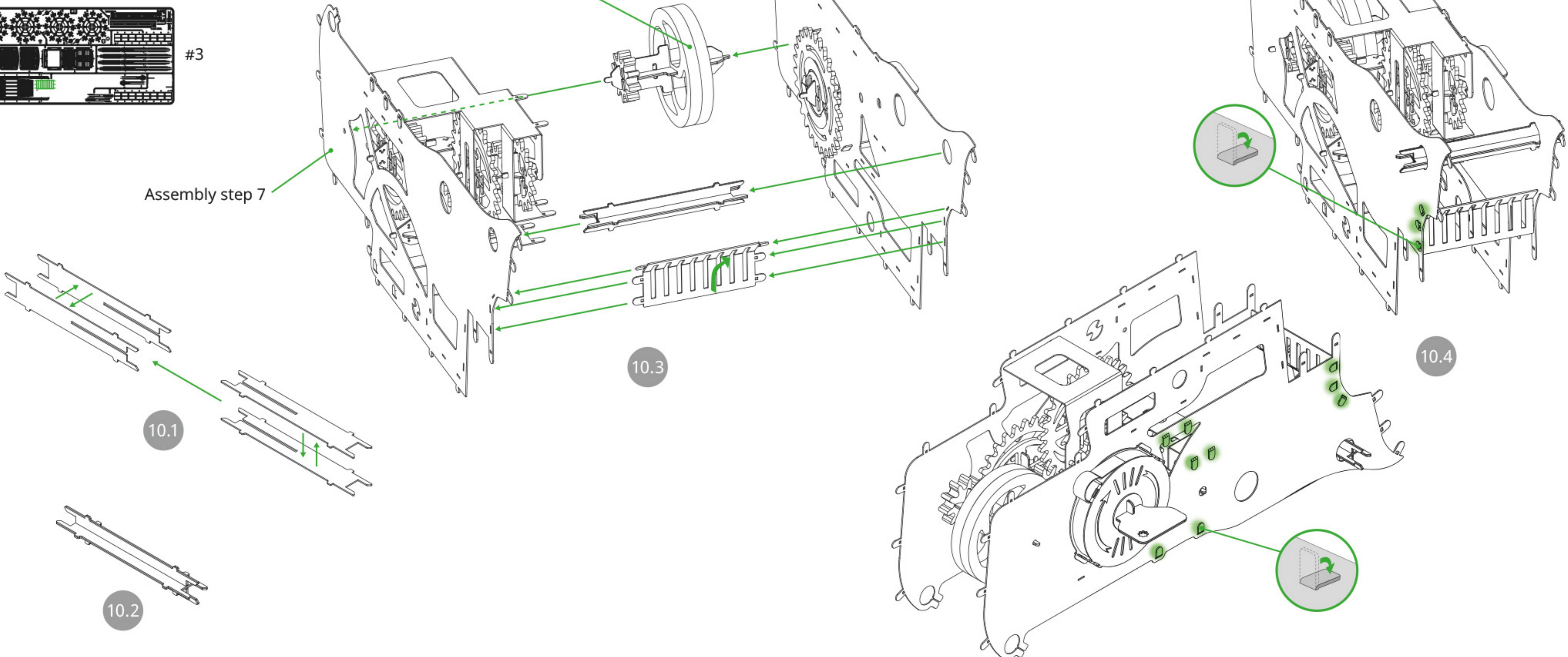
#1



#3

Assembly step 6

Assembly step 7



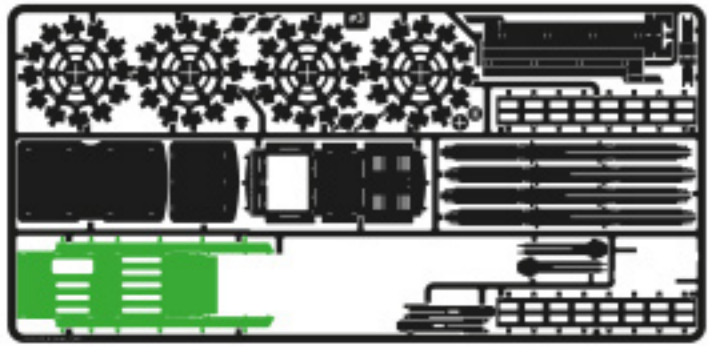
10.1

10.2

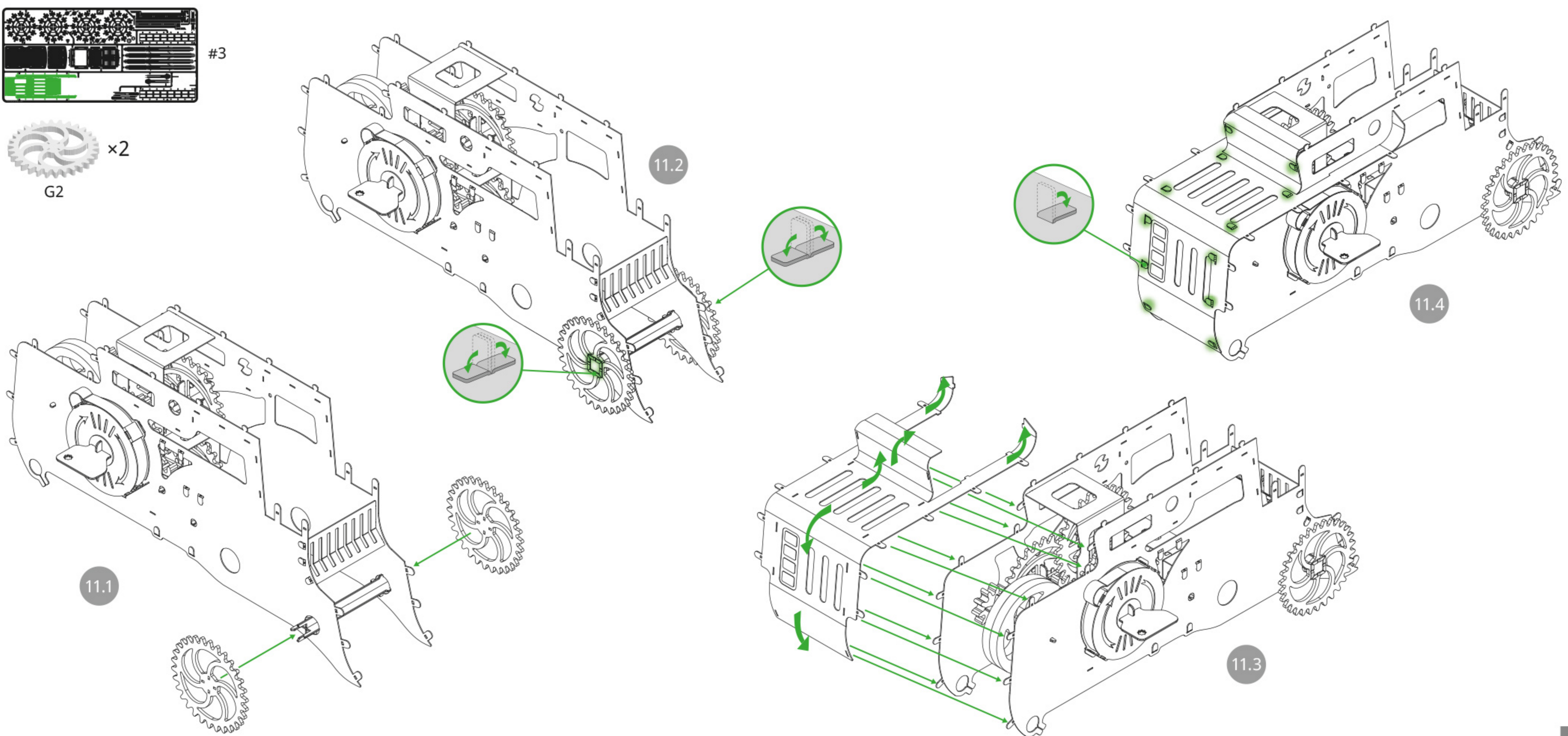
10.3

10.4





#3



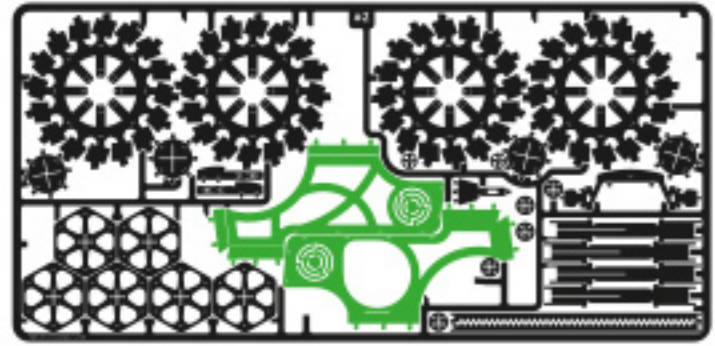
11.1

11.2

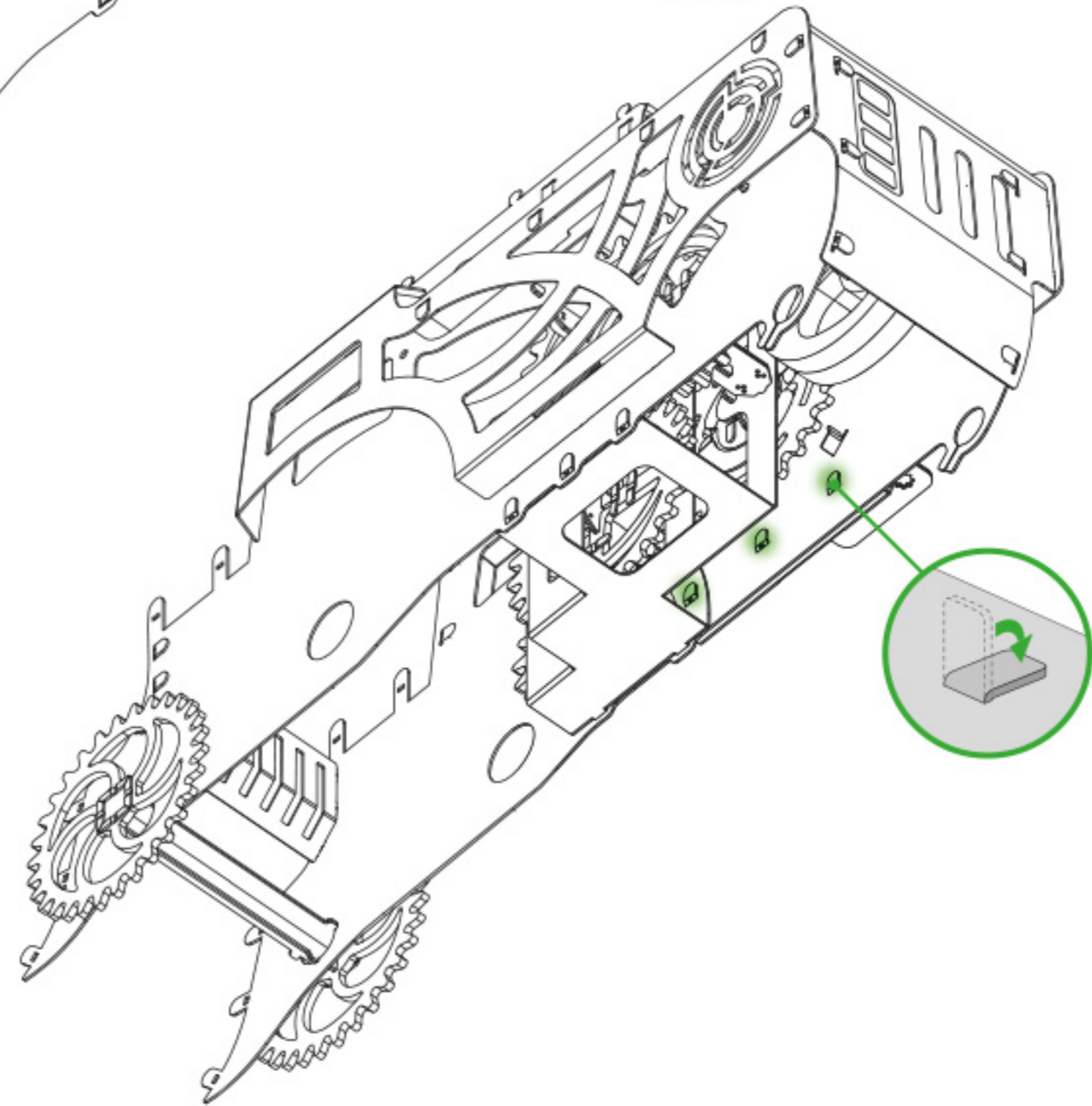
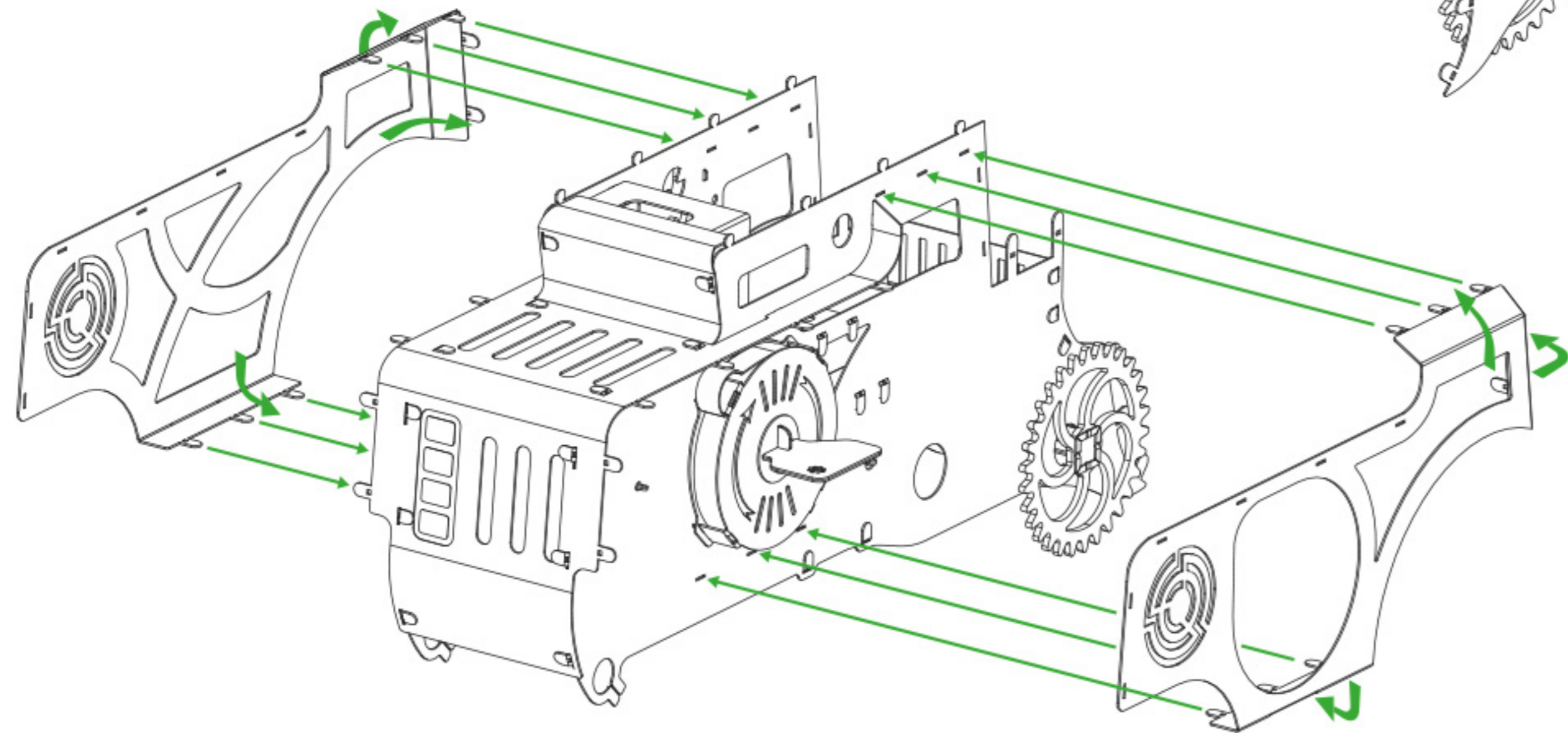
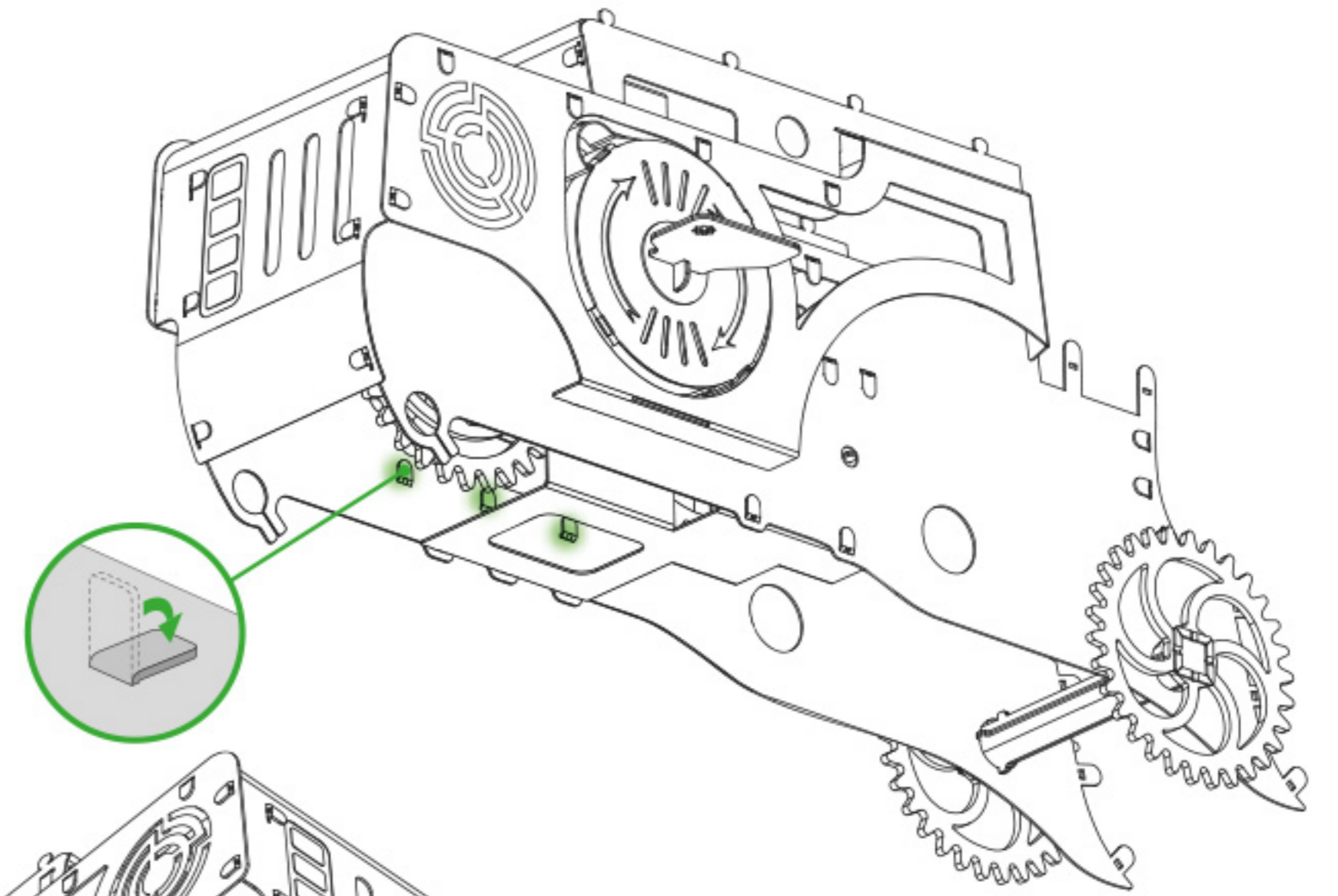
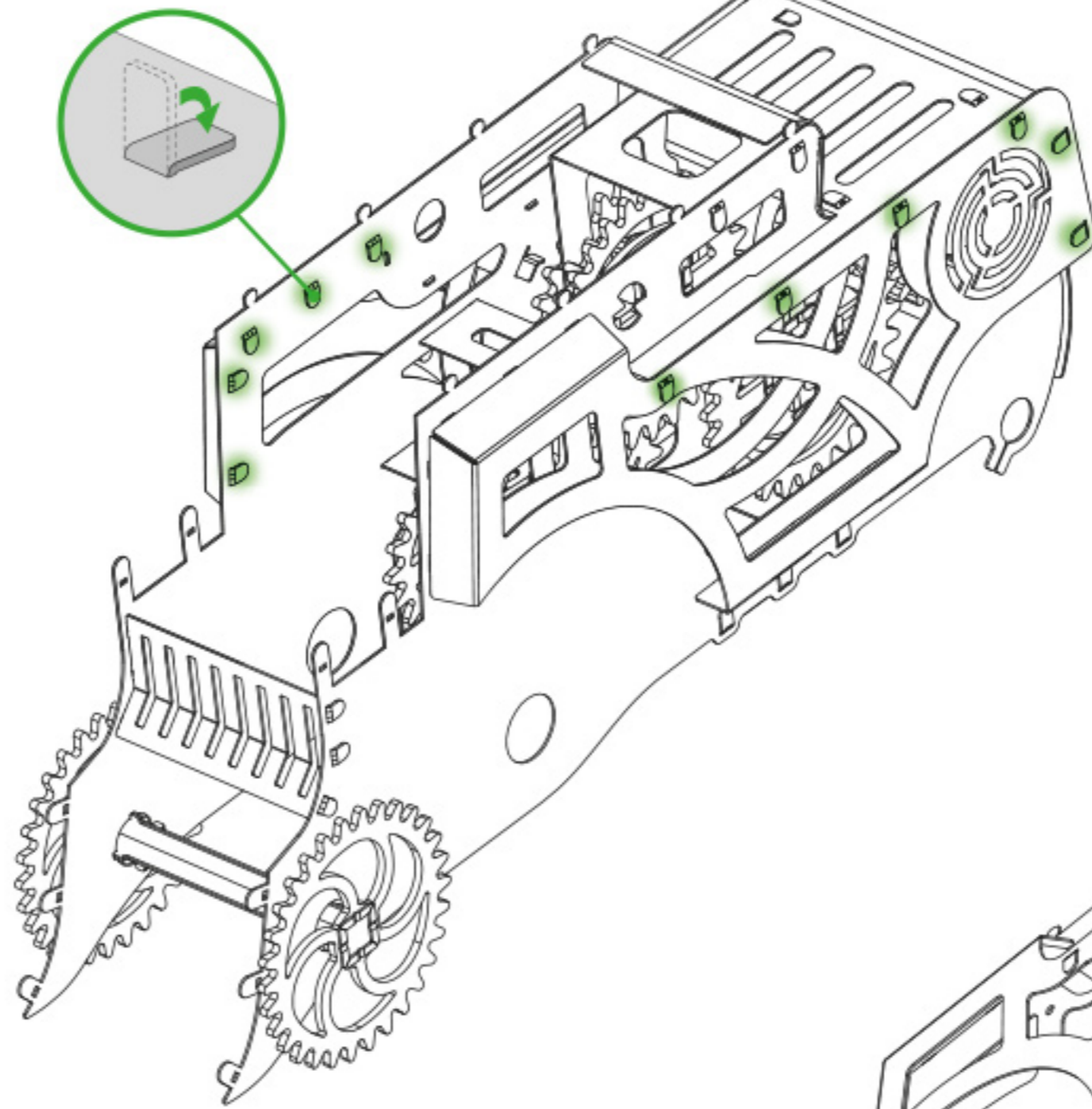
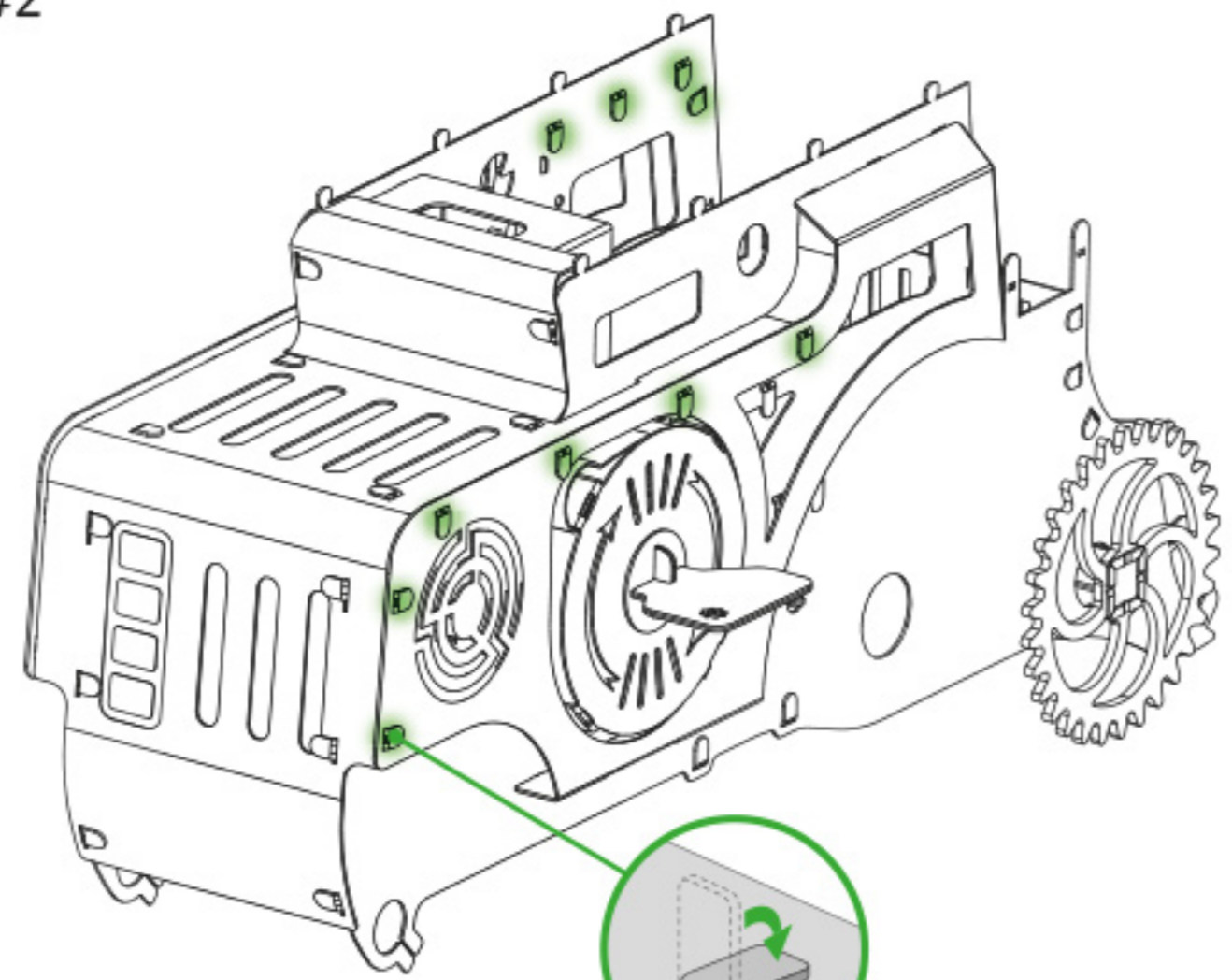
11.4

11.3

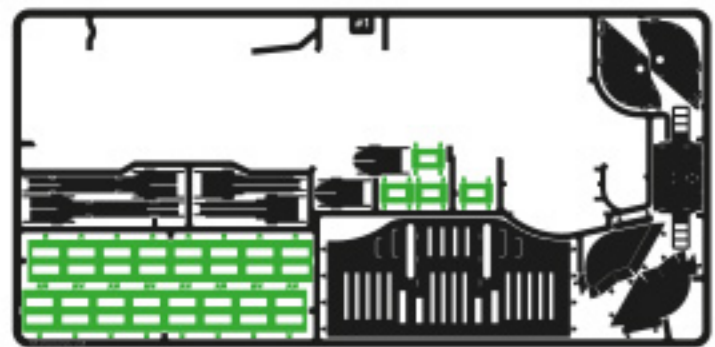




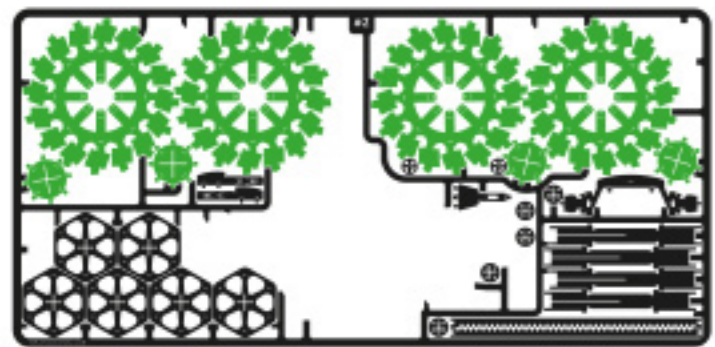
#2



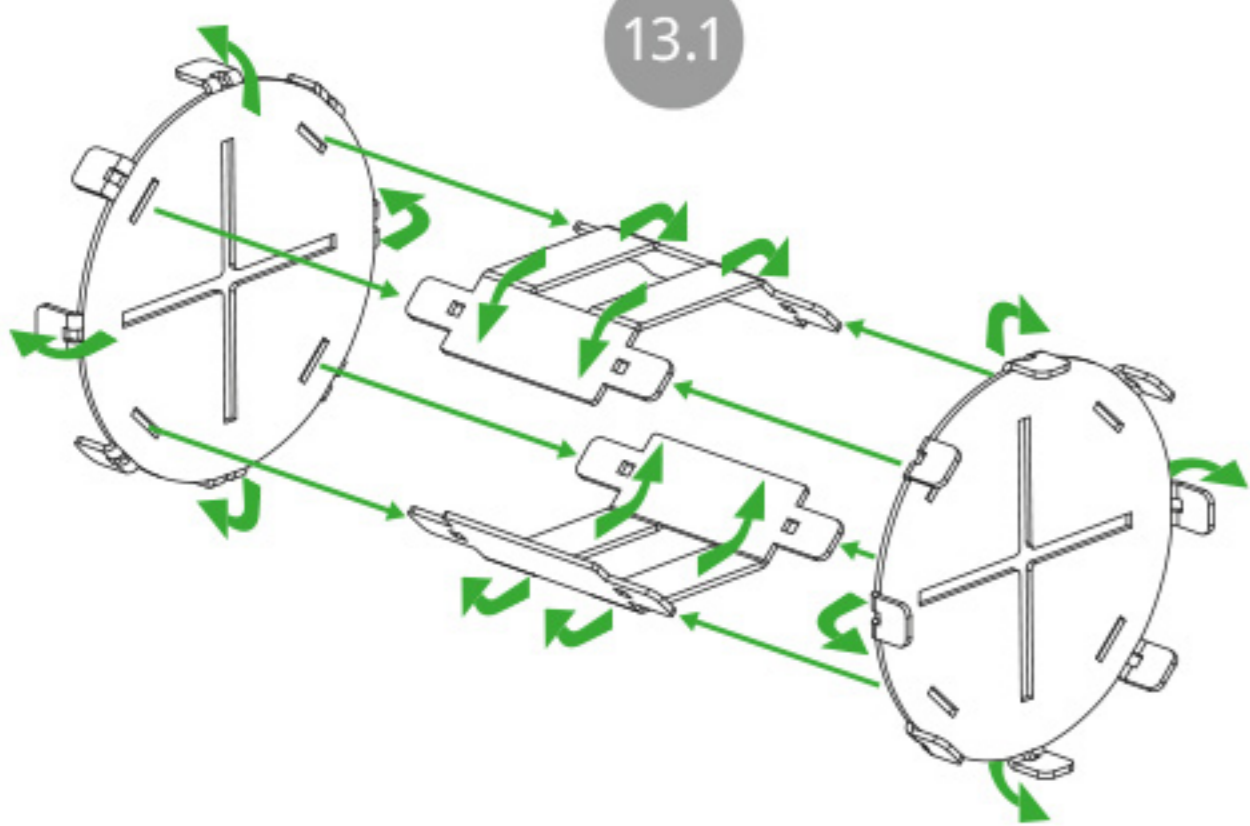
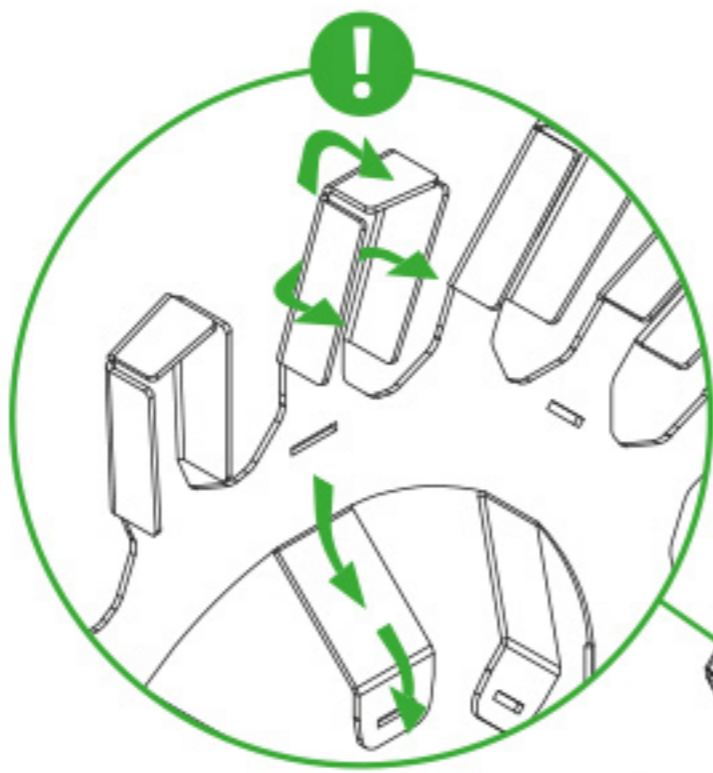




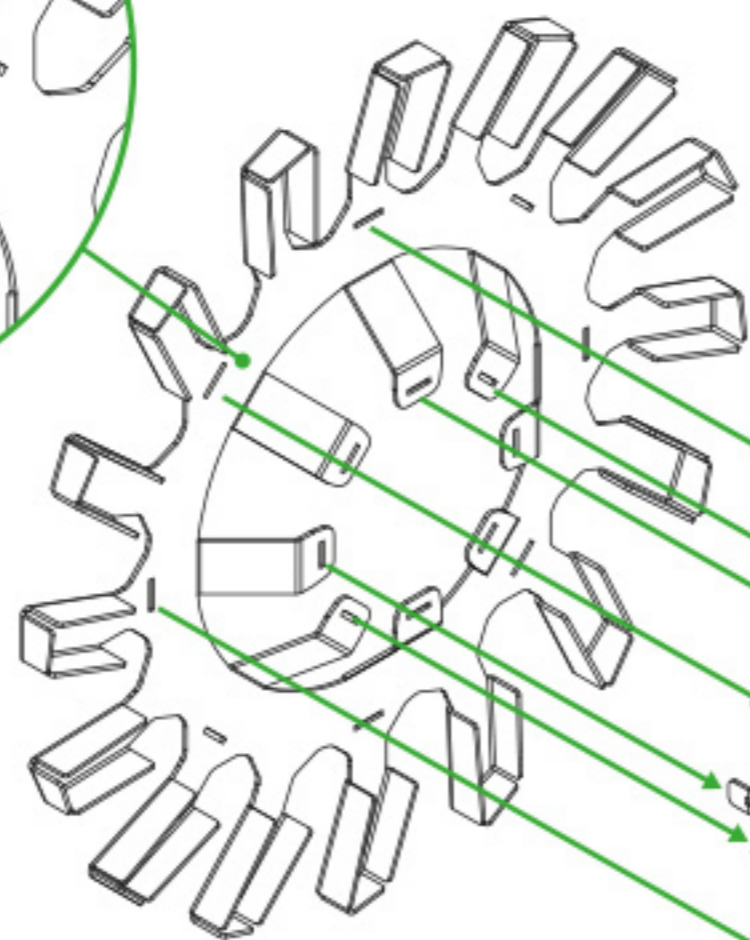
#1



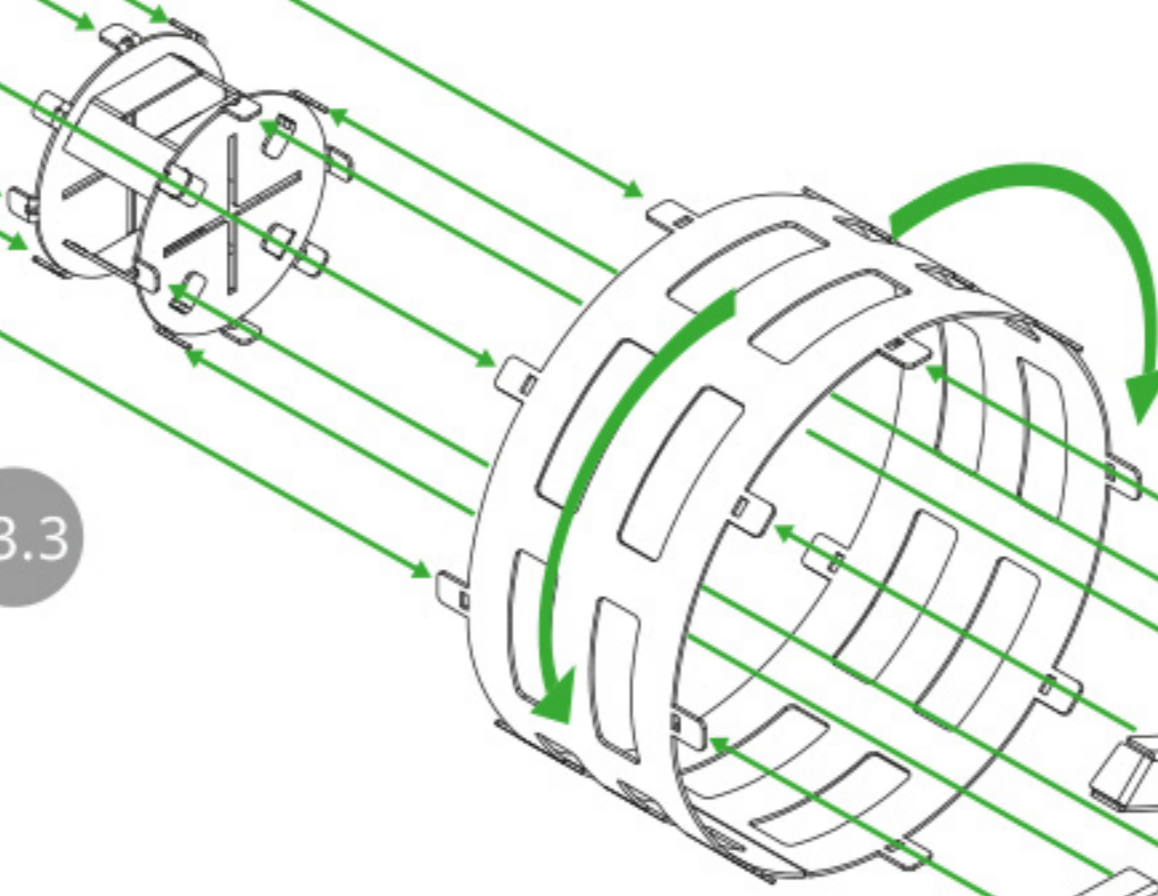
#2



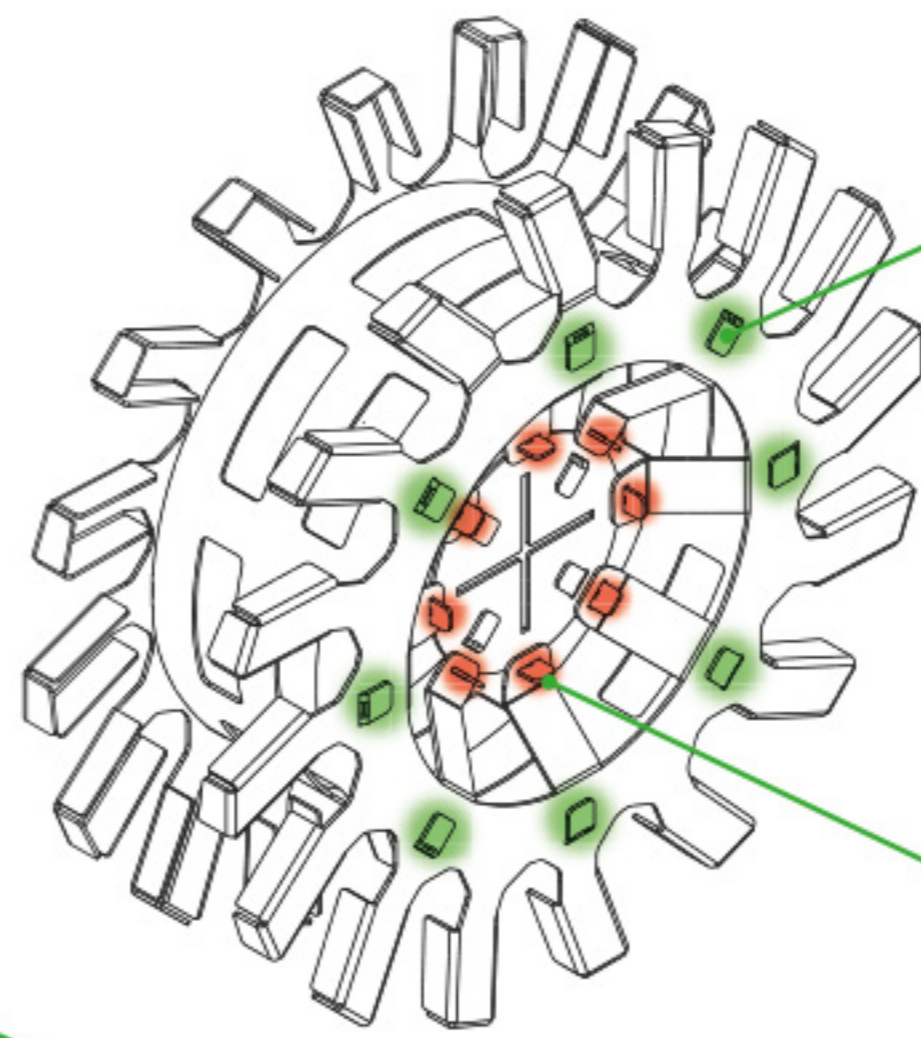
13.1



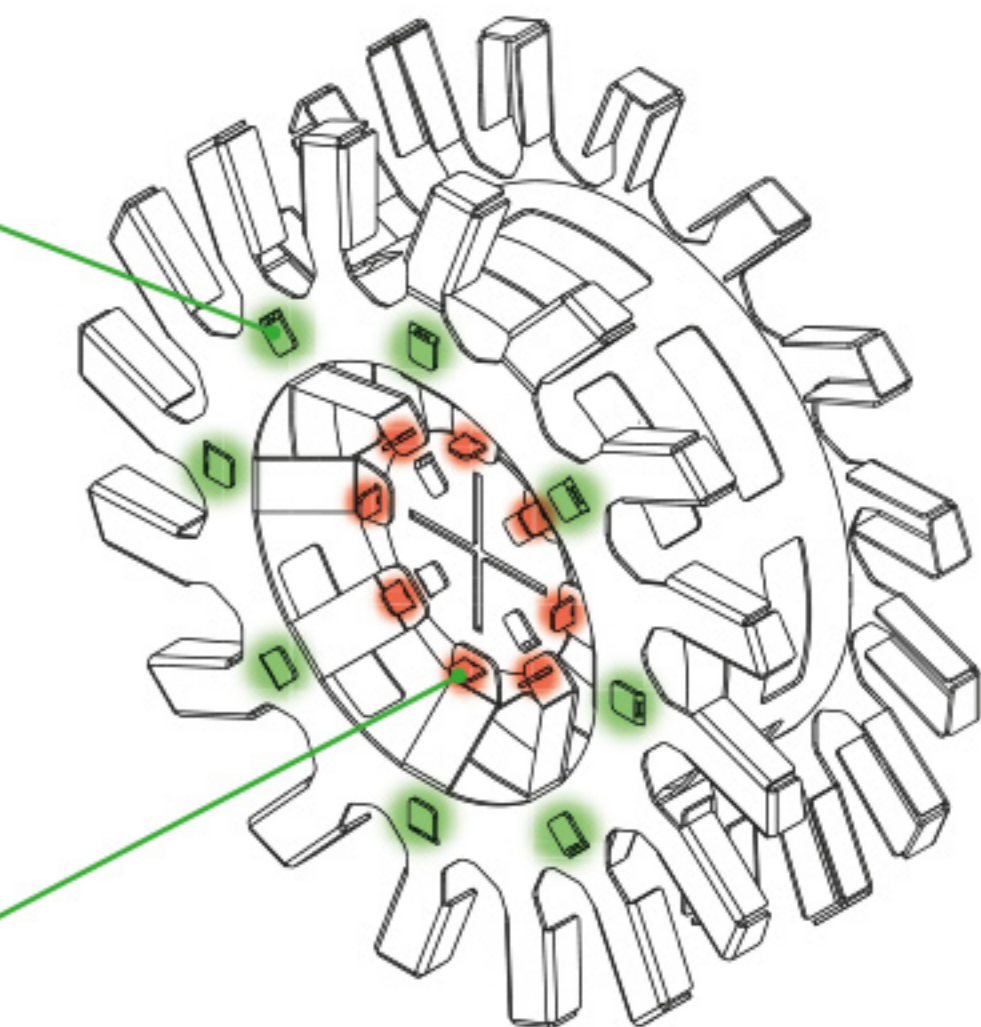
13.2



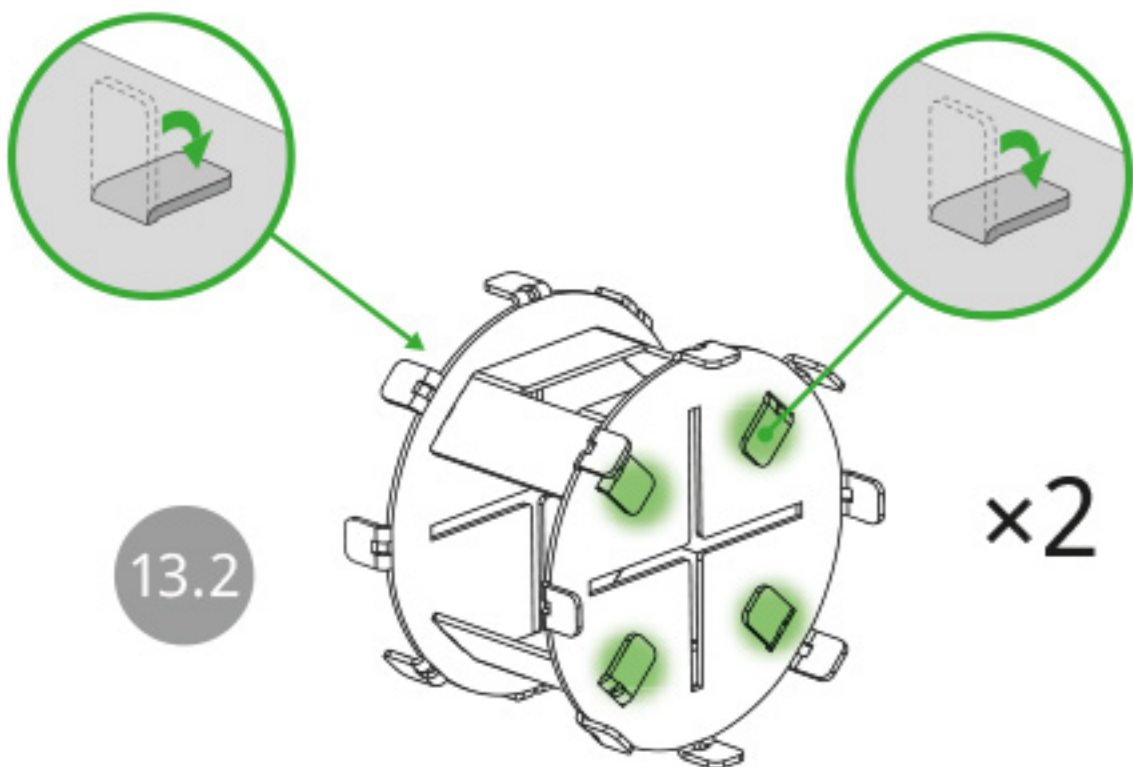
13.3



13.4

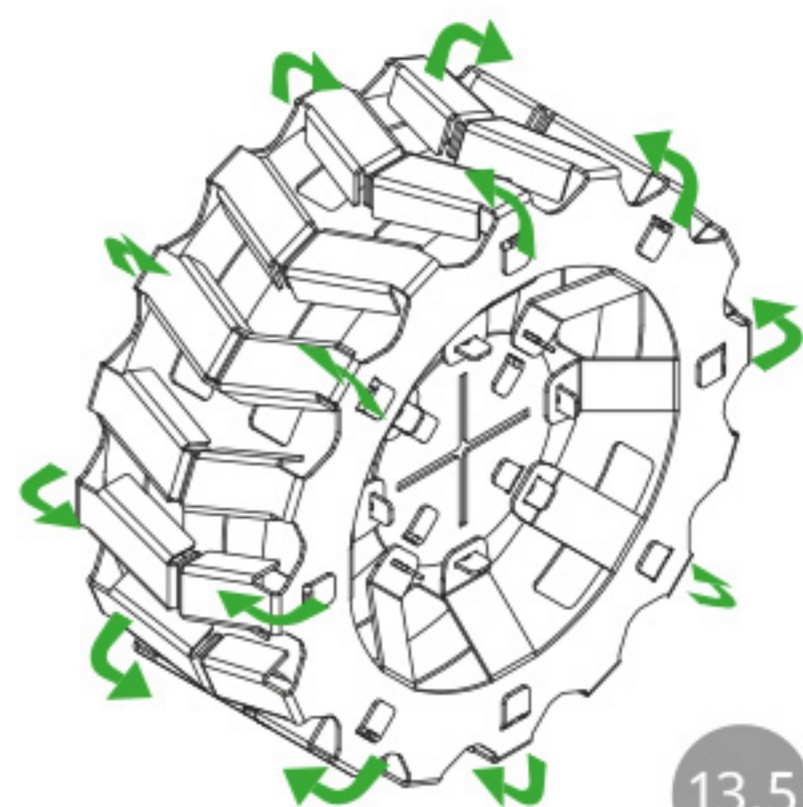


13.5



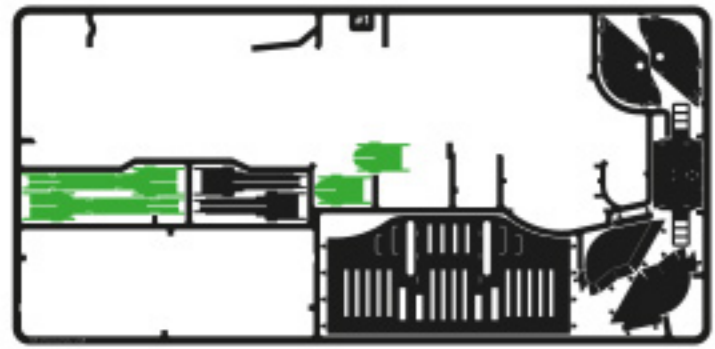
13.2

x2

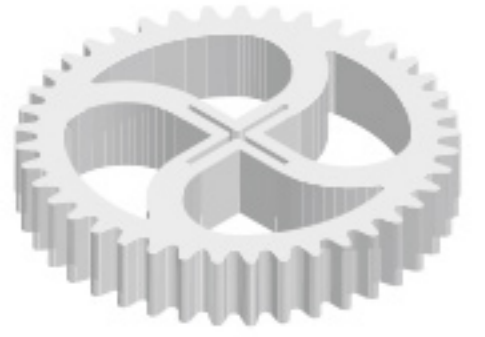


x2

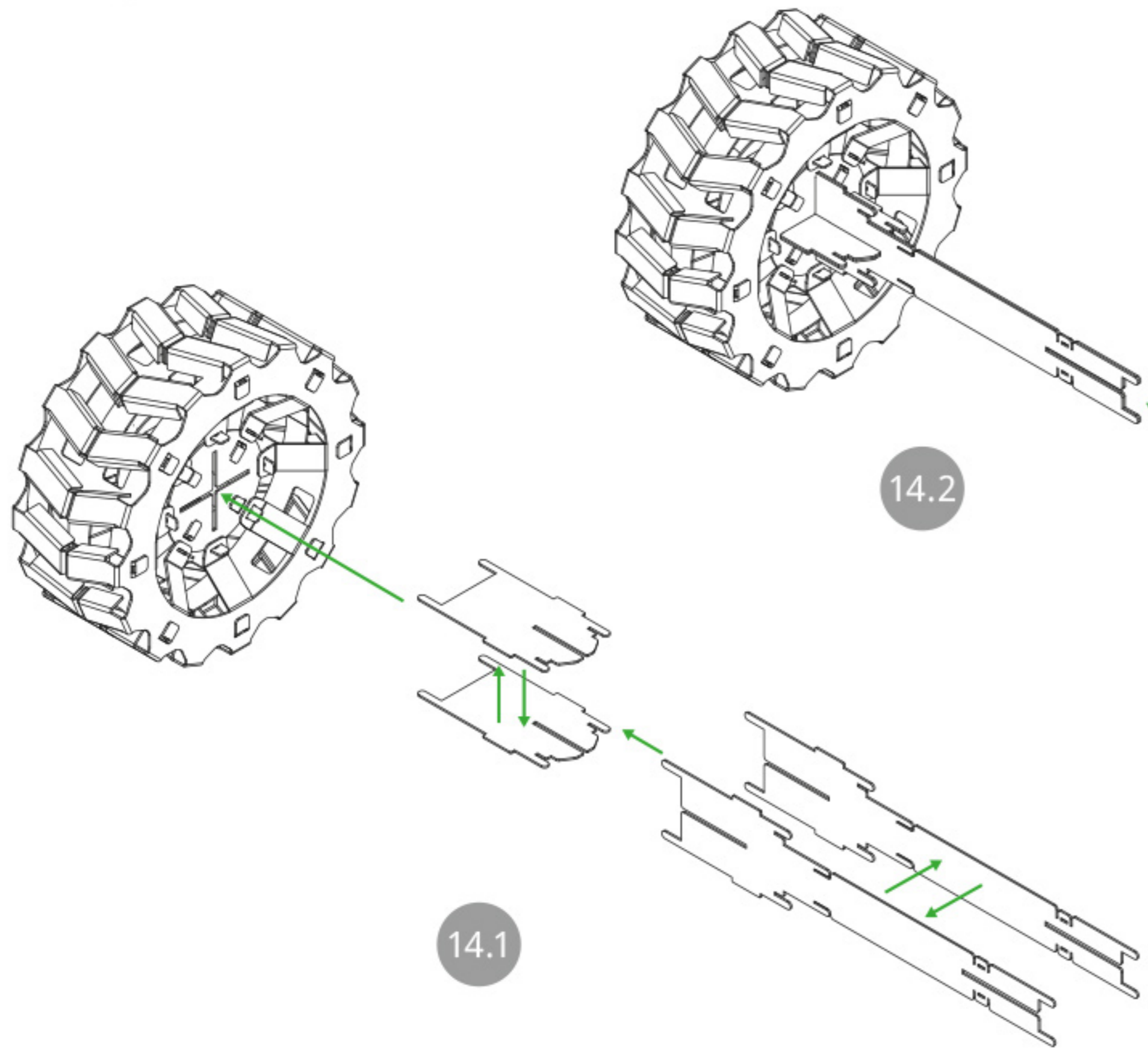




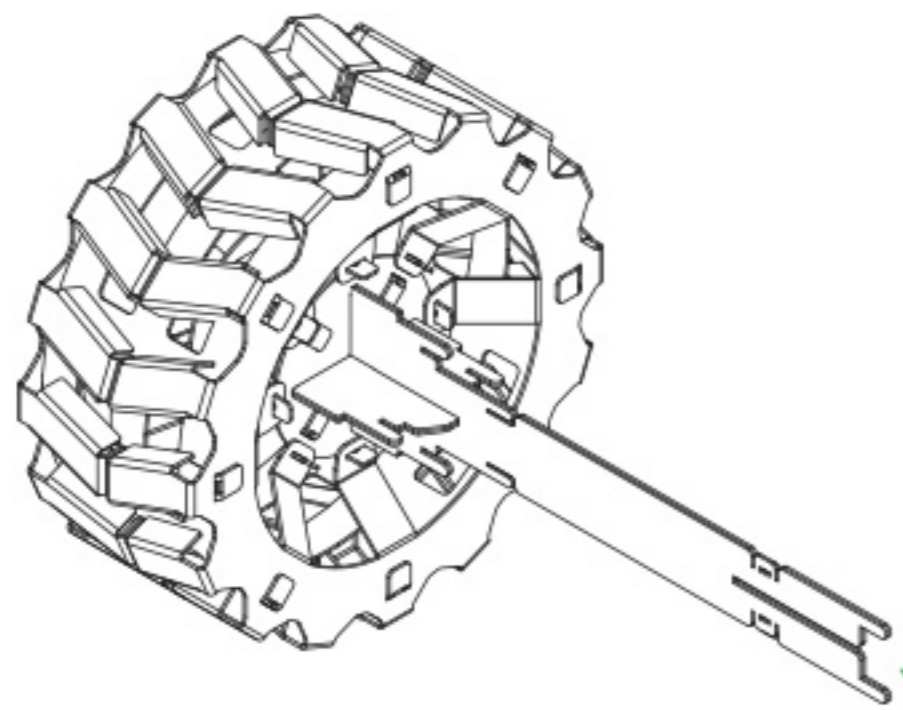
#1



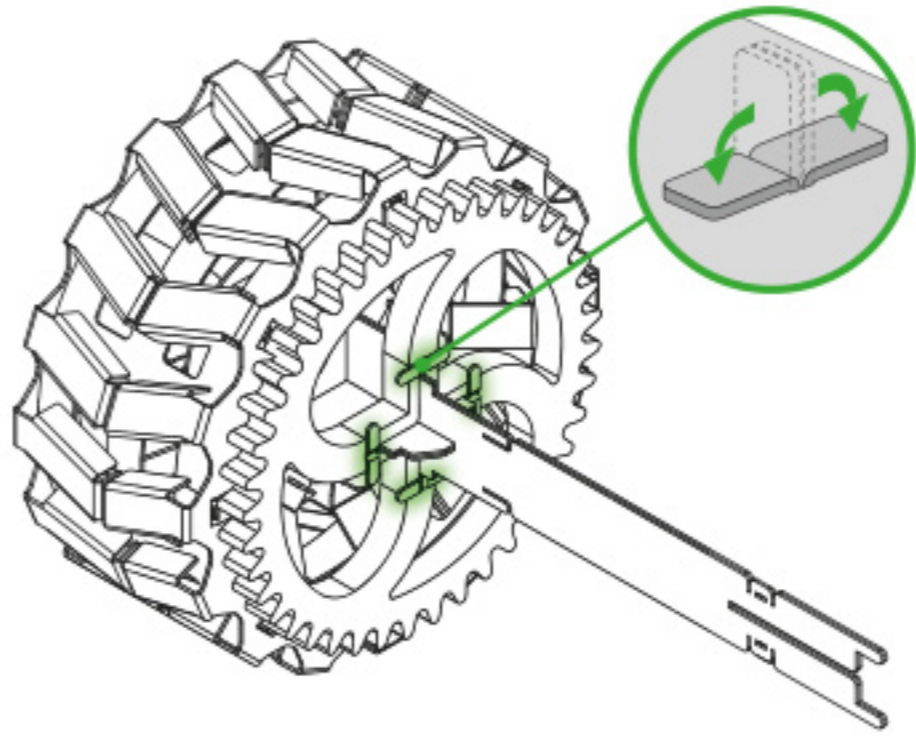
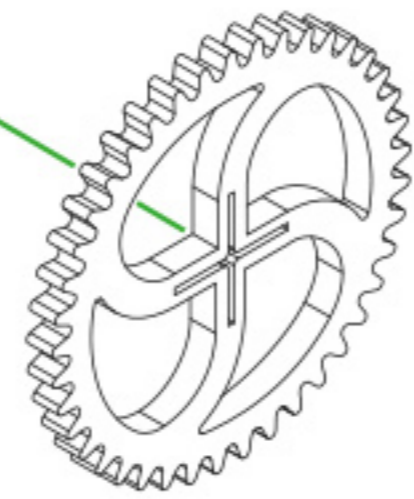
G4



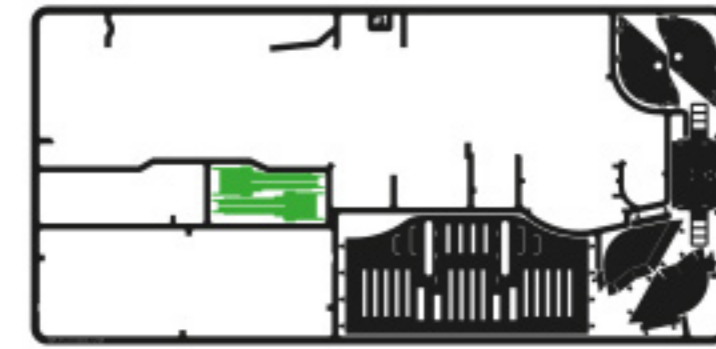
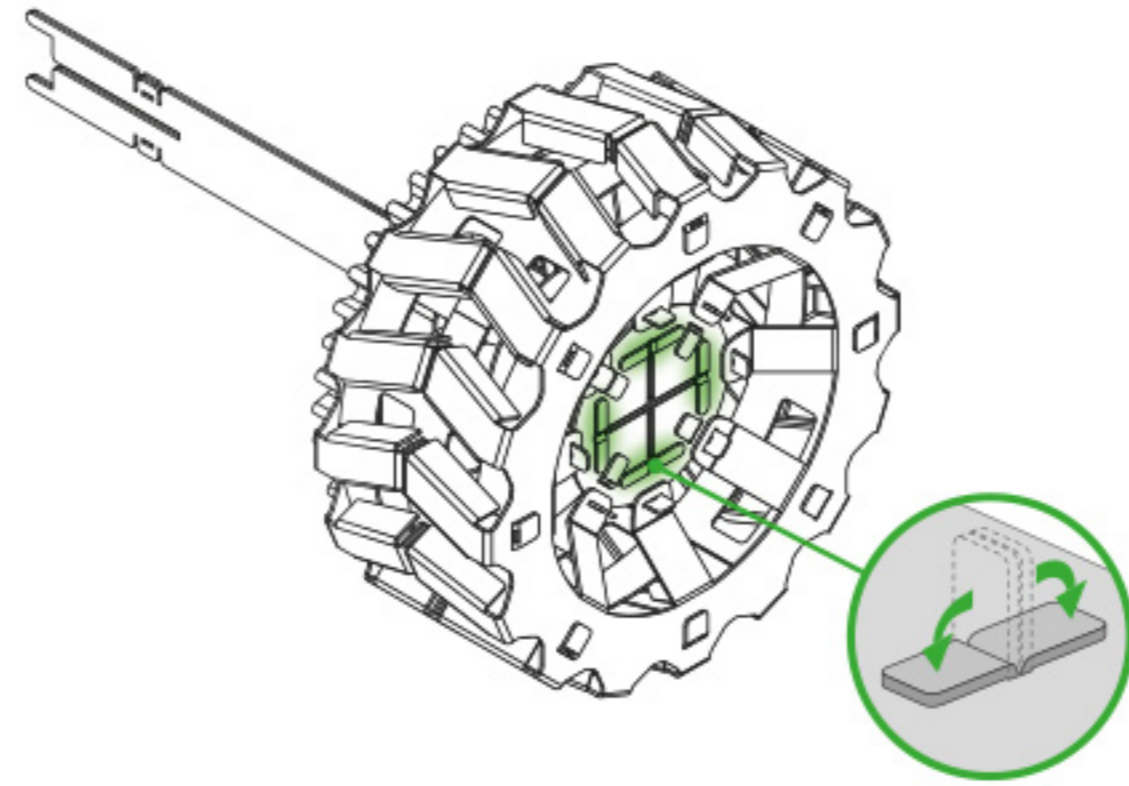
14.1



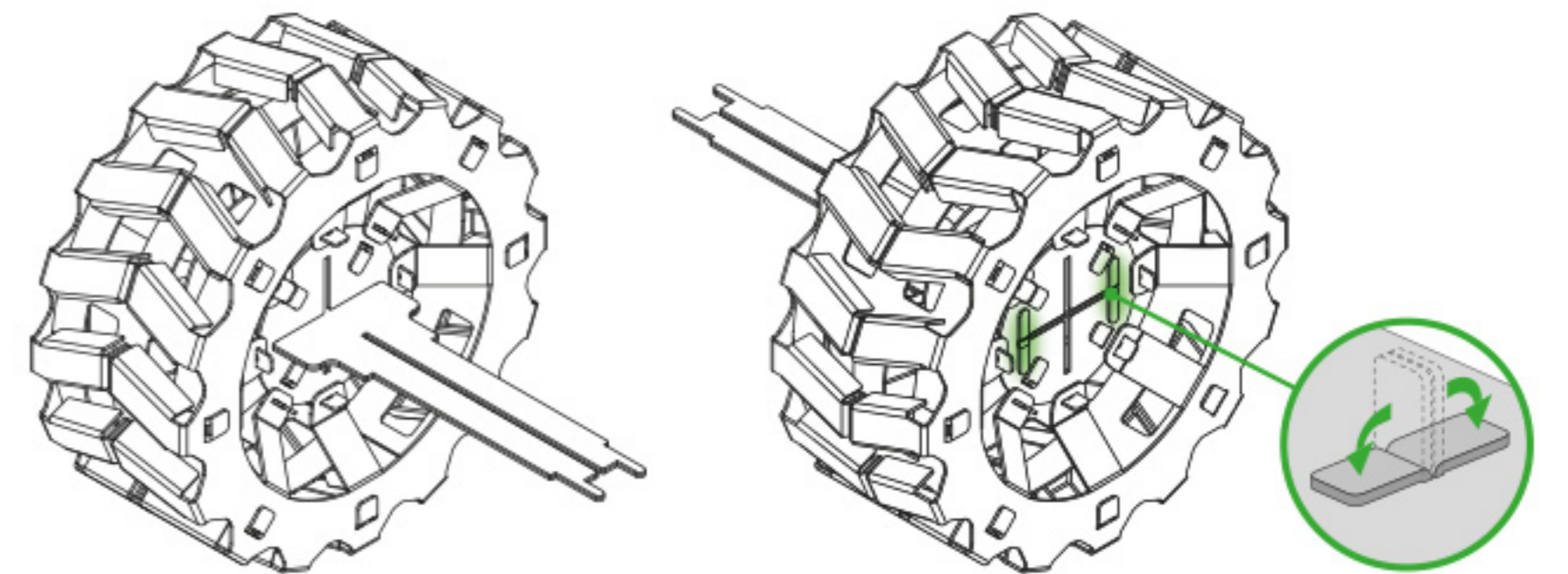
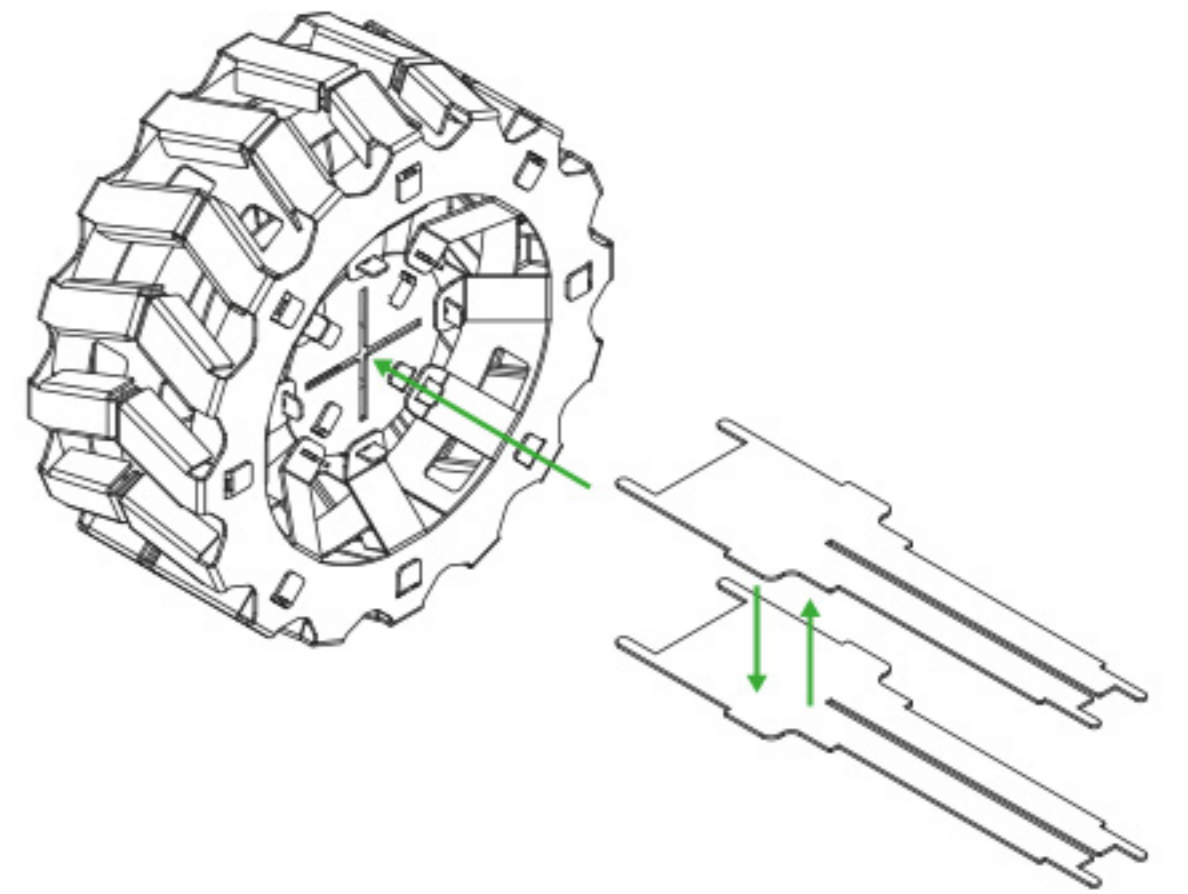
14.2



14.3



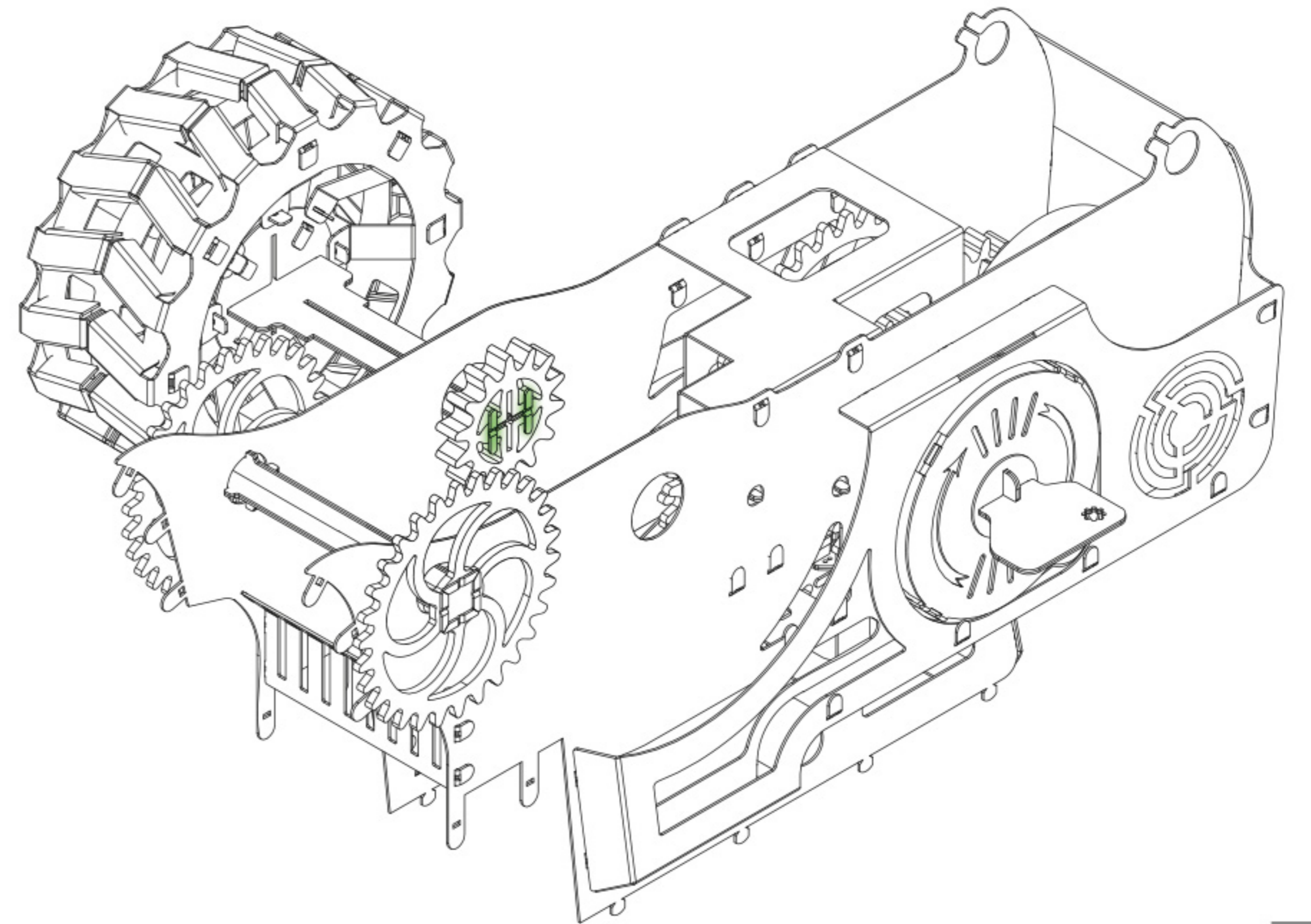
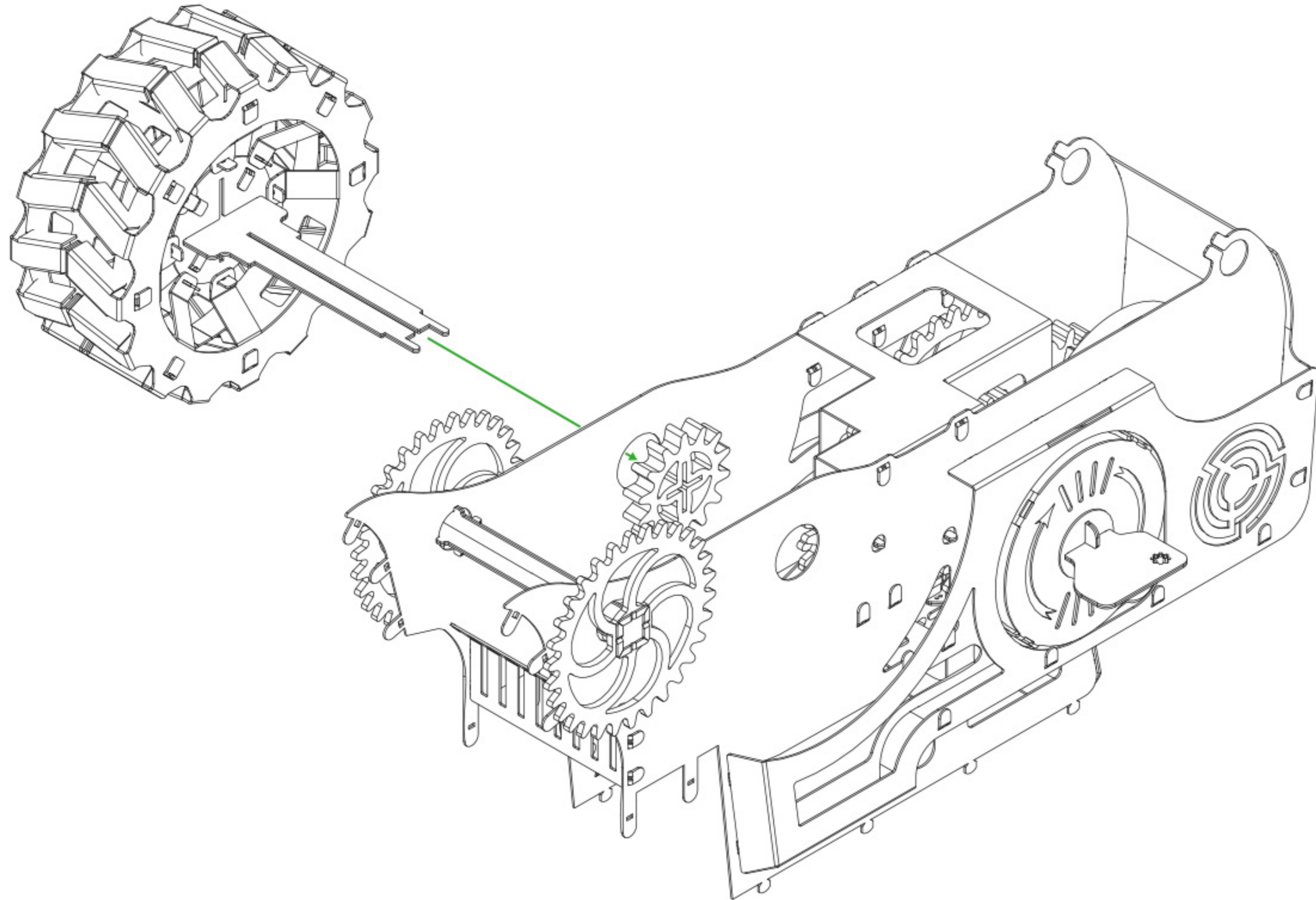
#1



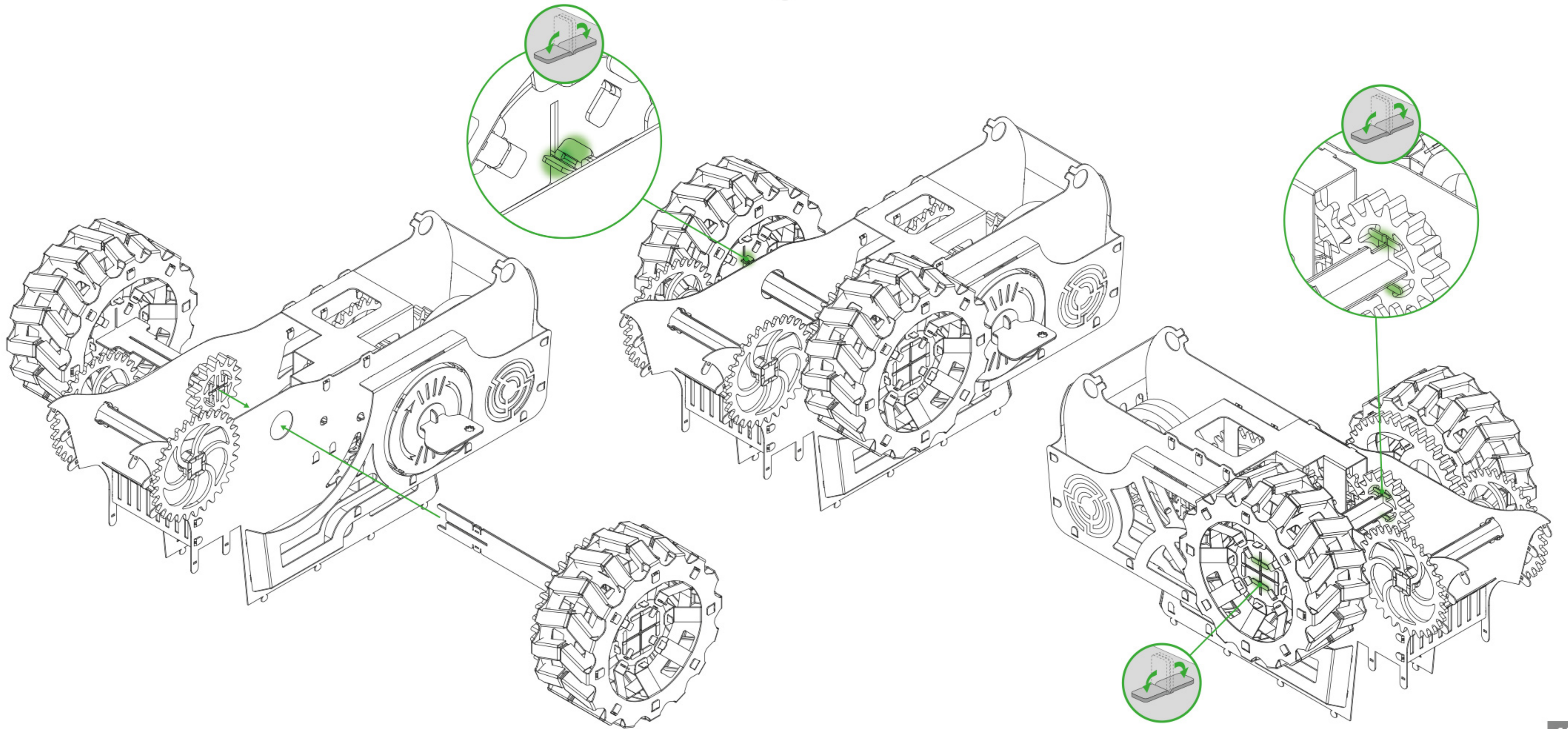




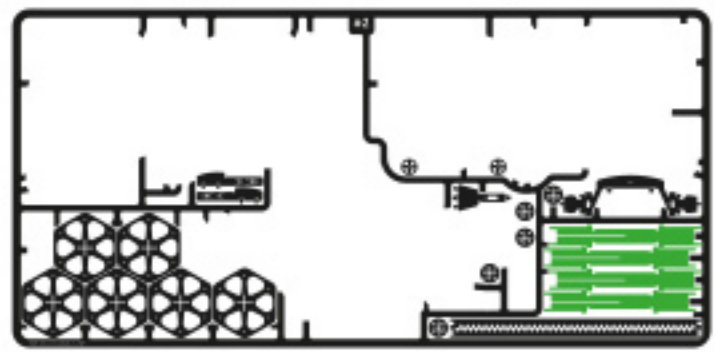
G8



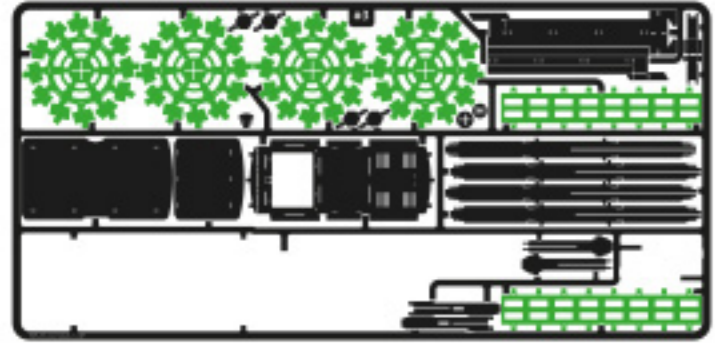




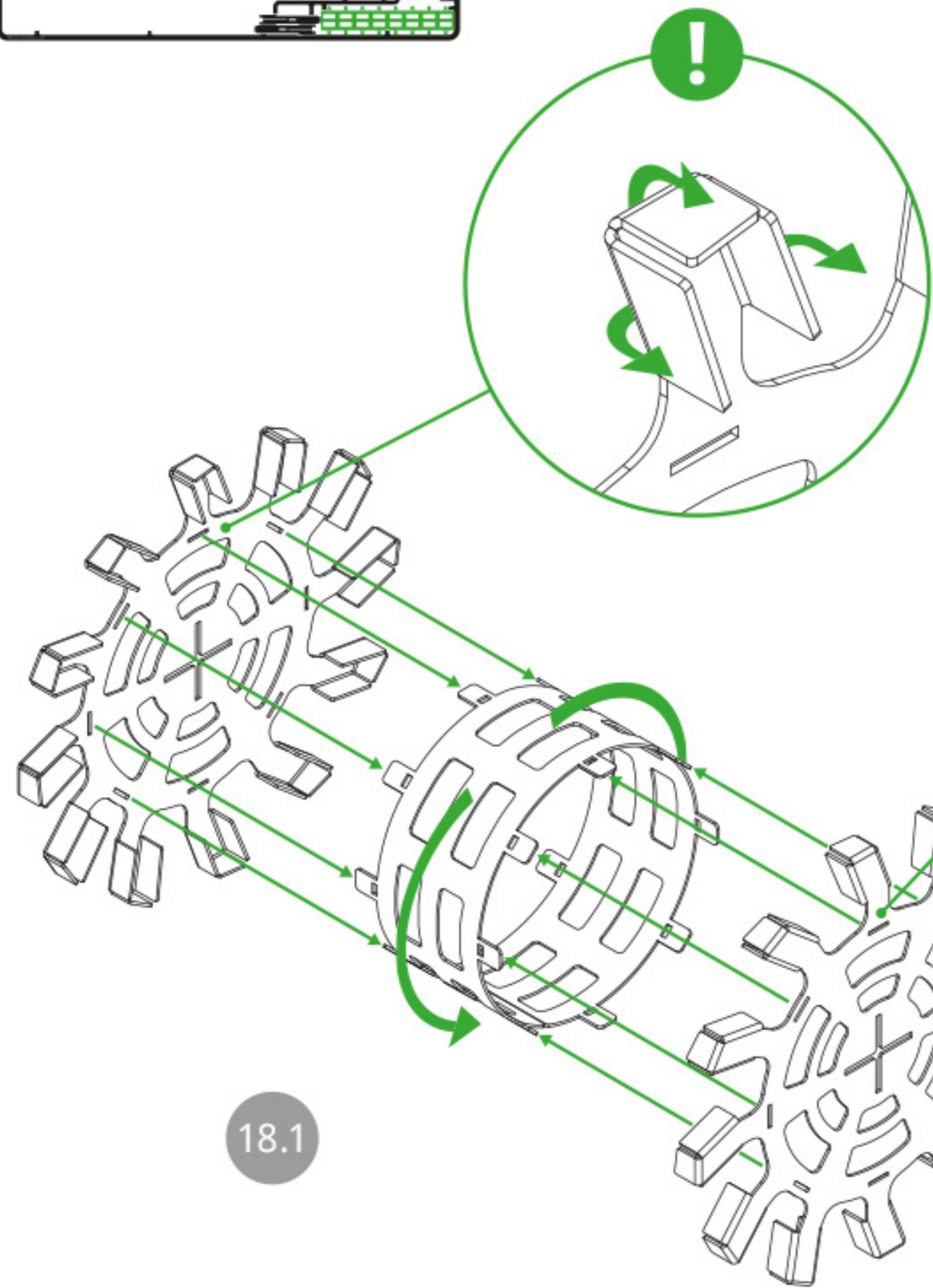




#2



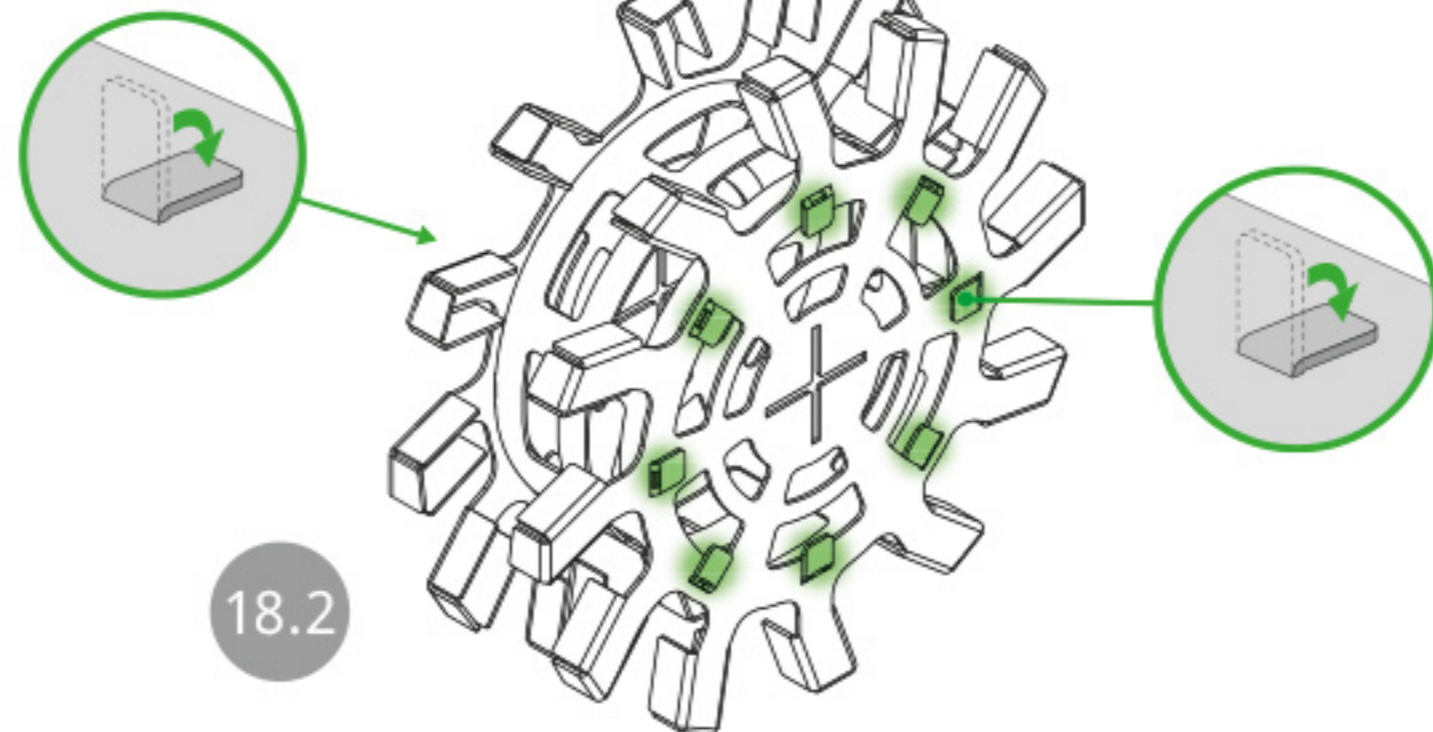
#3



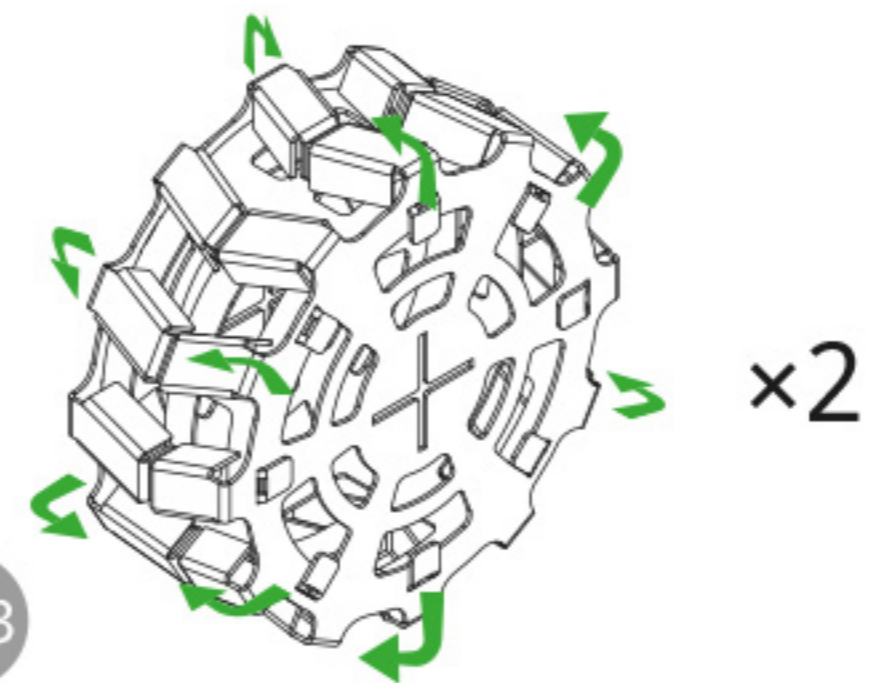
18.1



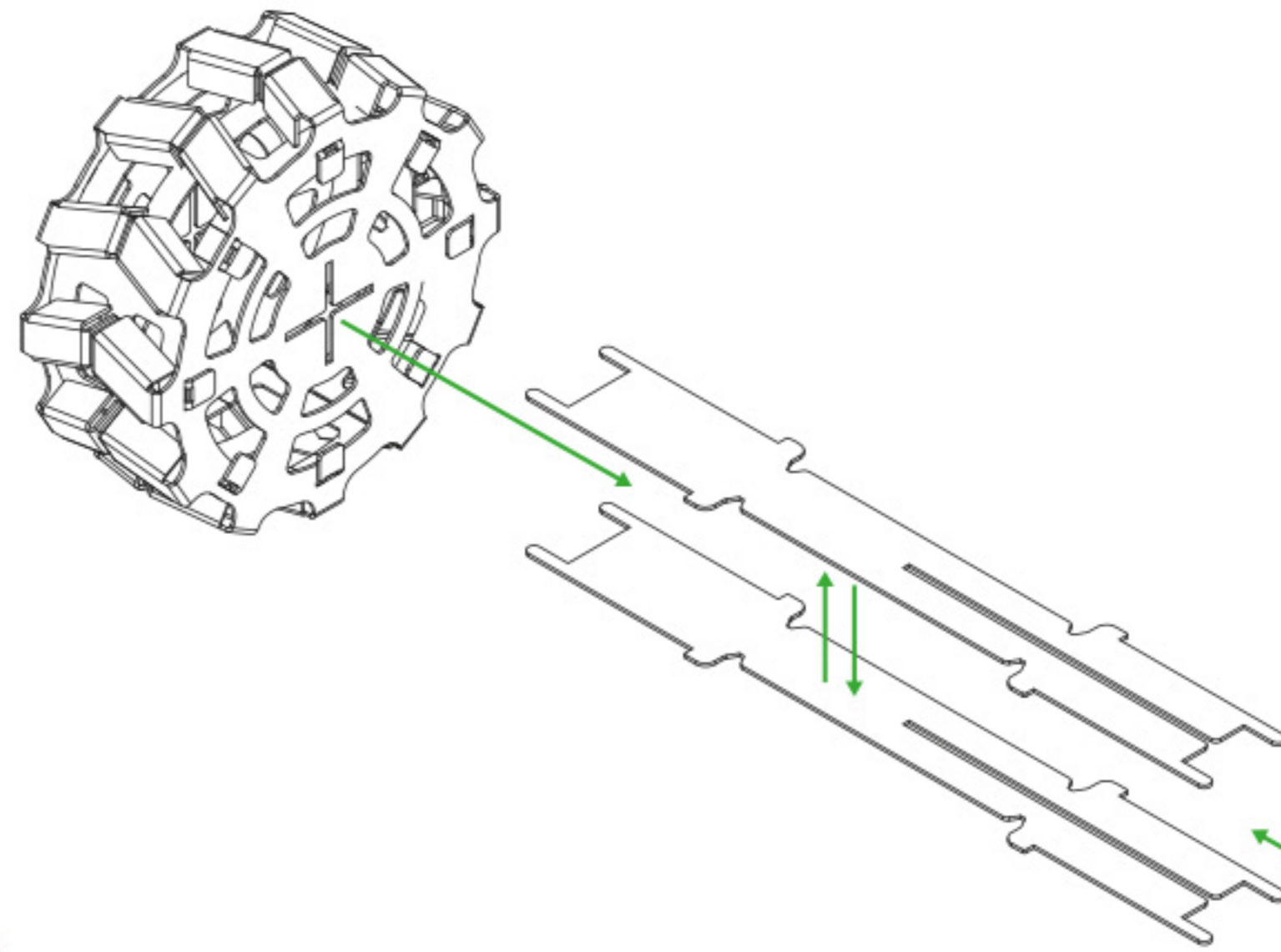
18.2



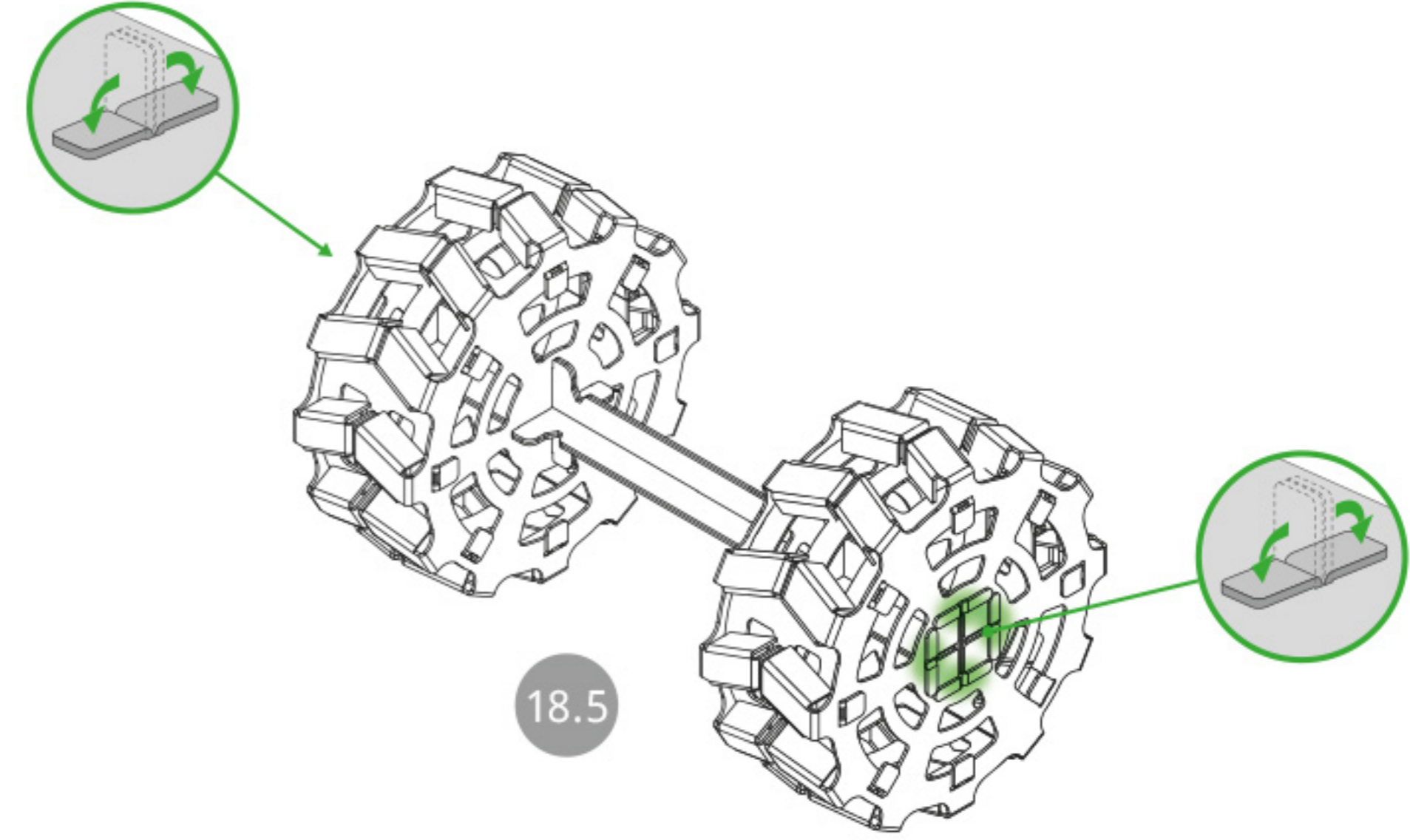
18.3



x2

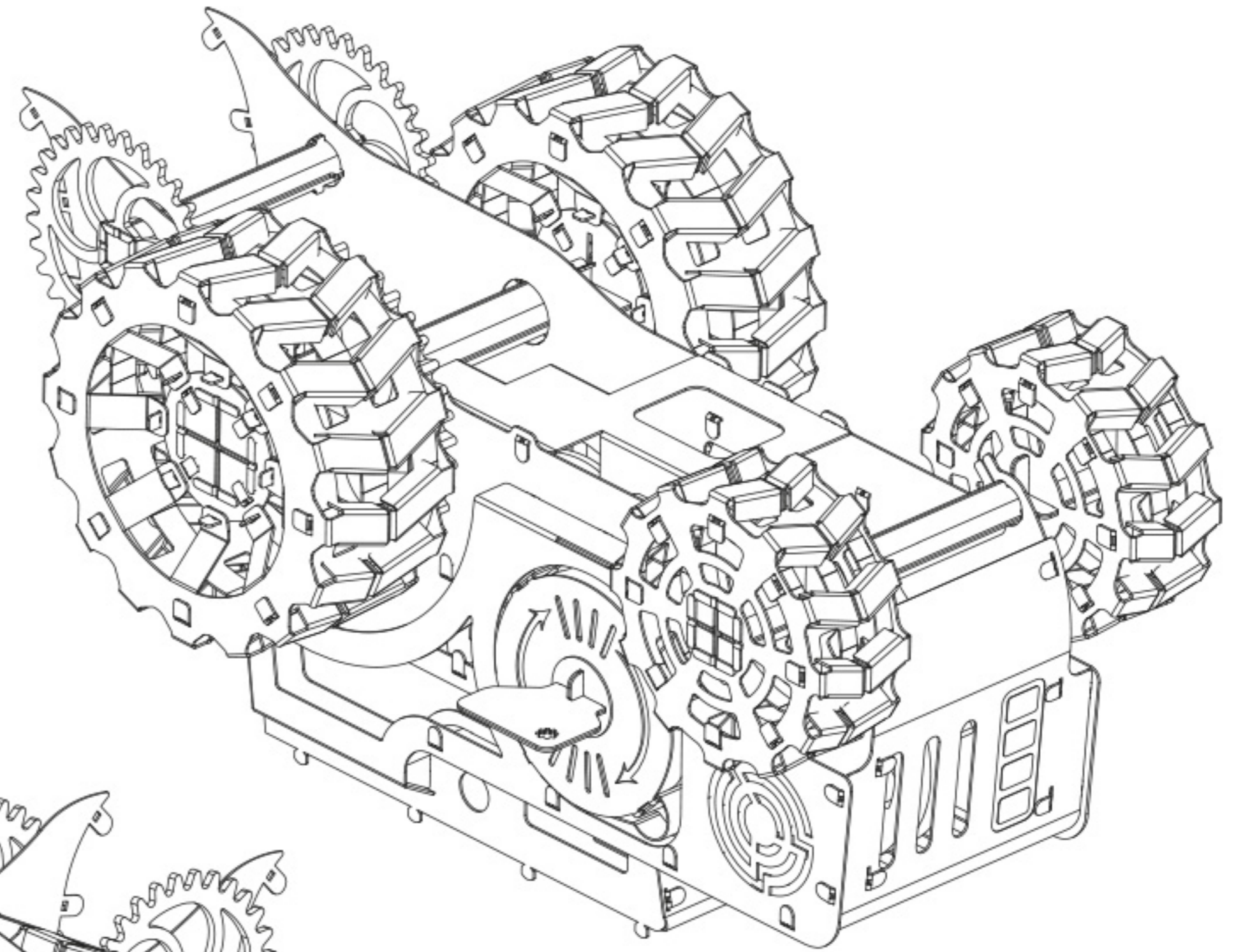
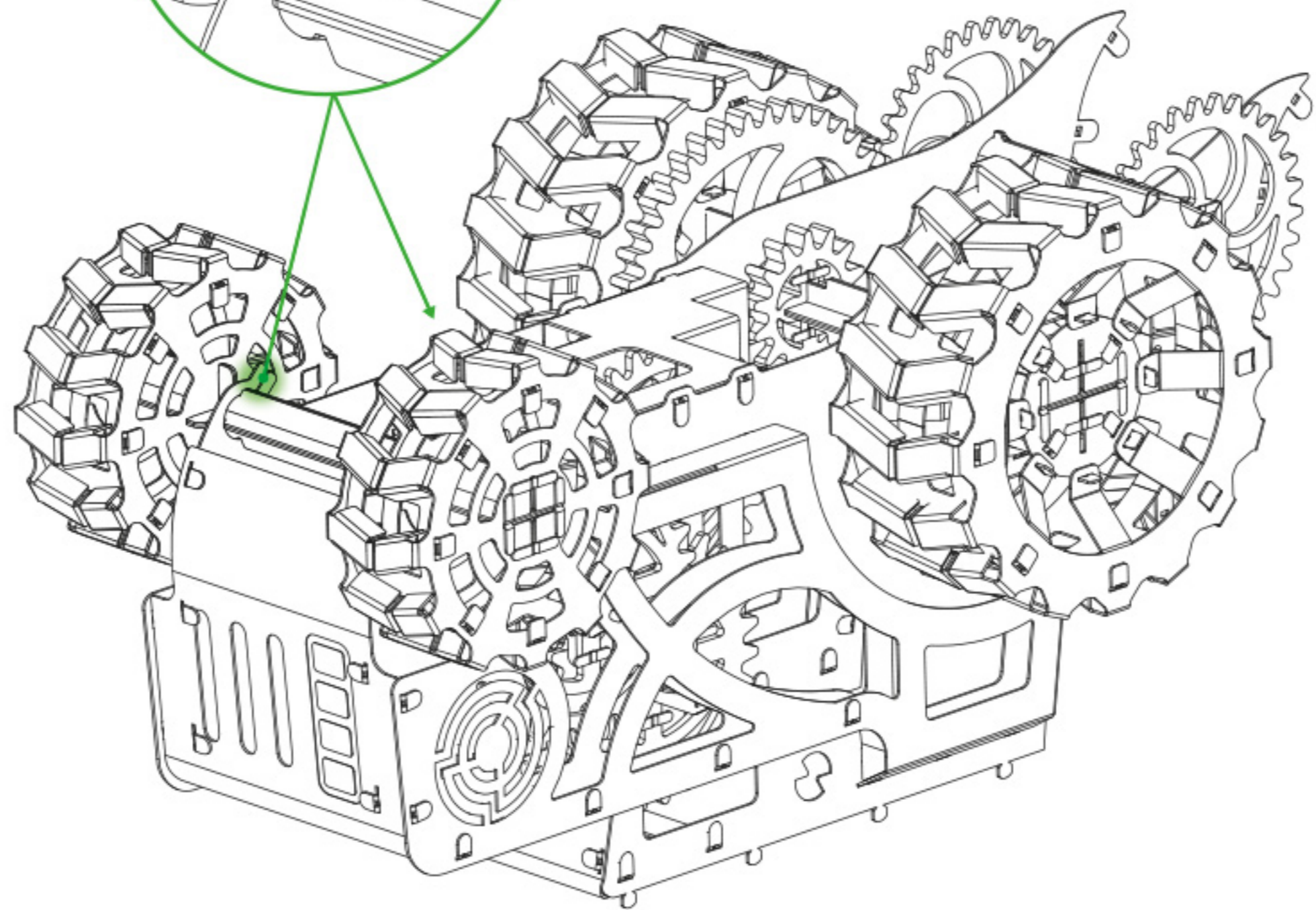
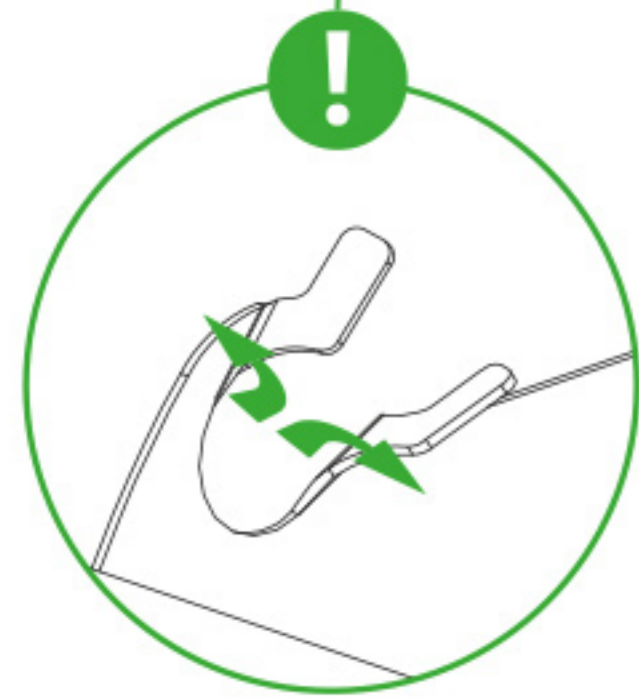
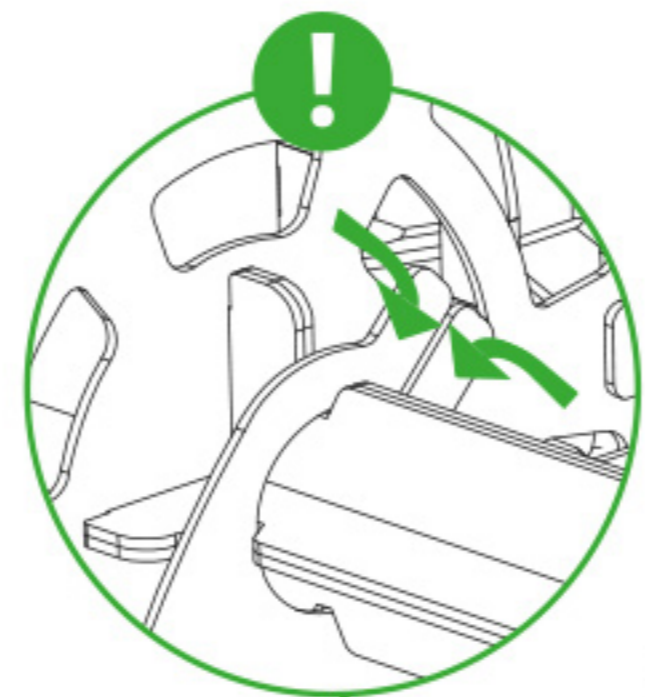
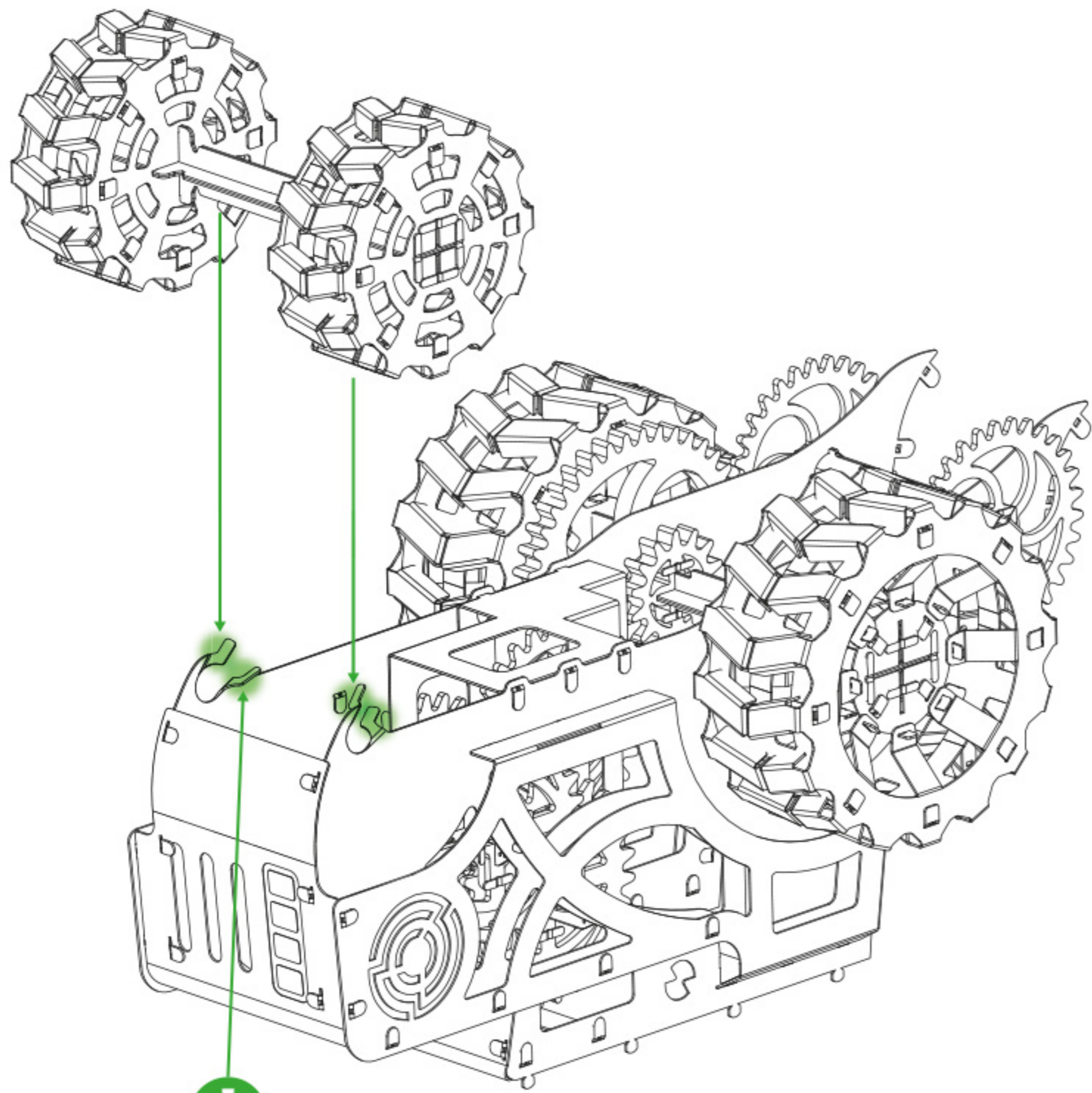


18.4

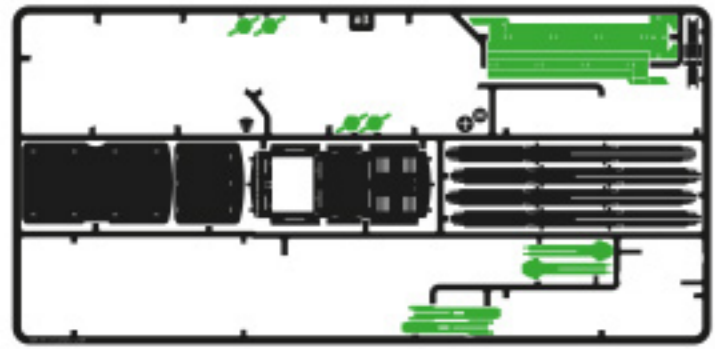


18.5

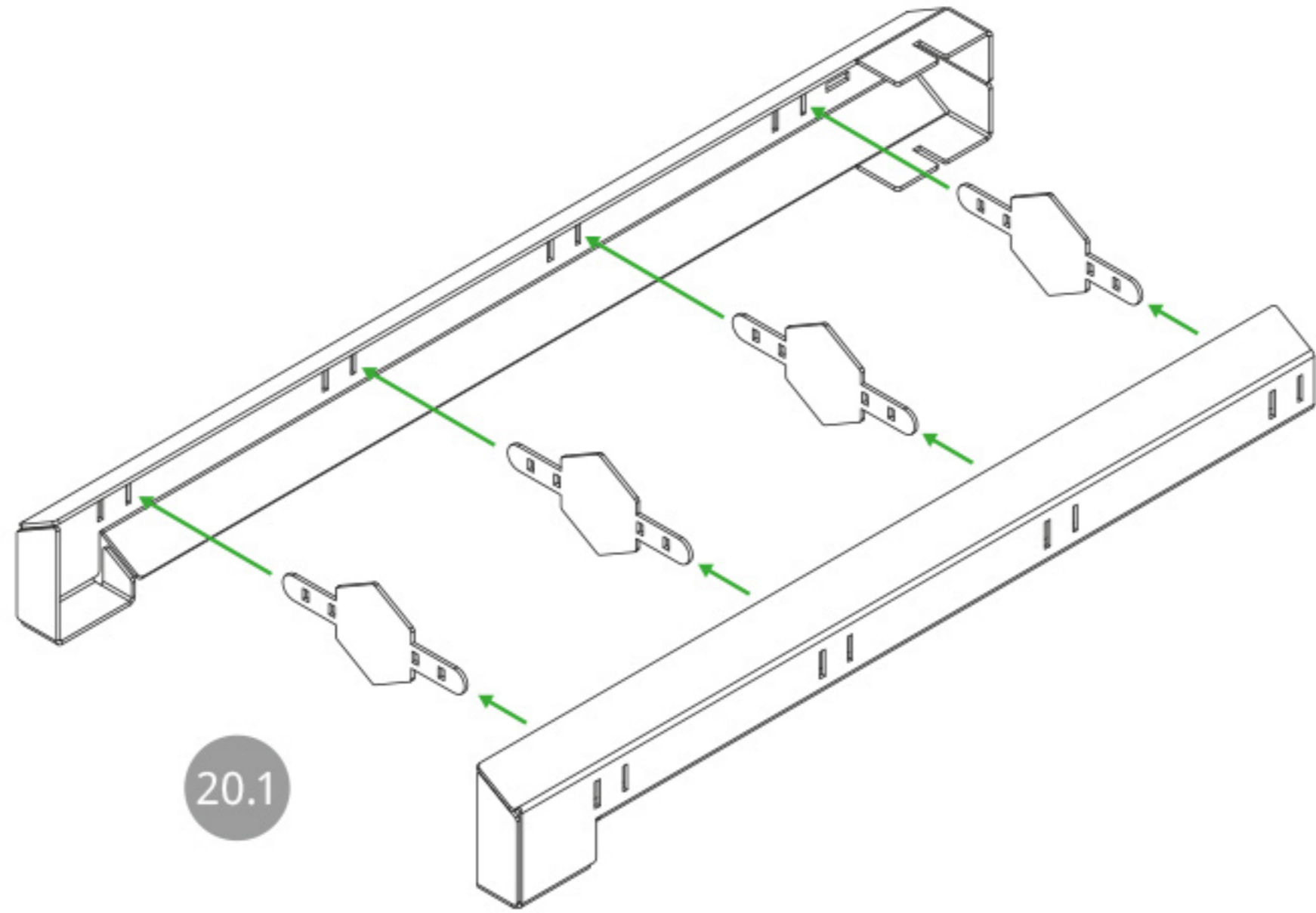
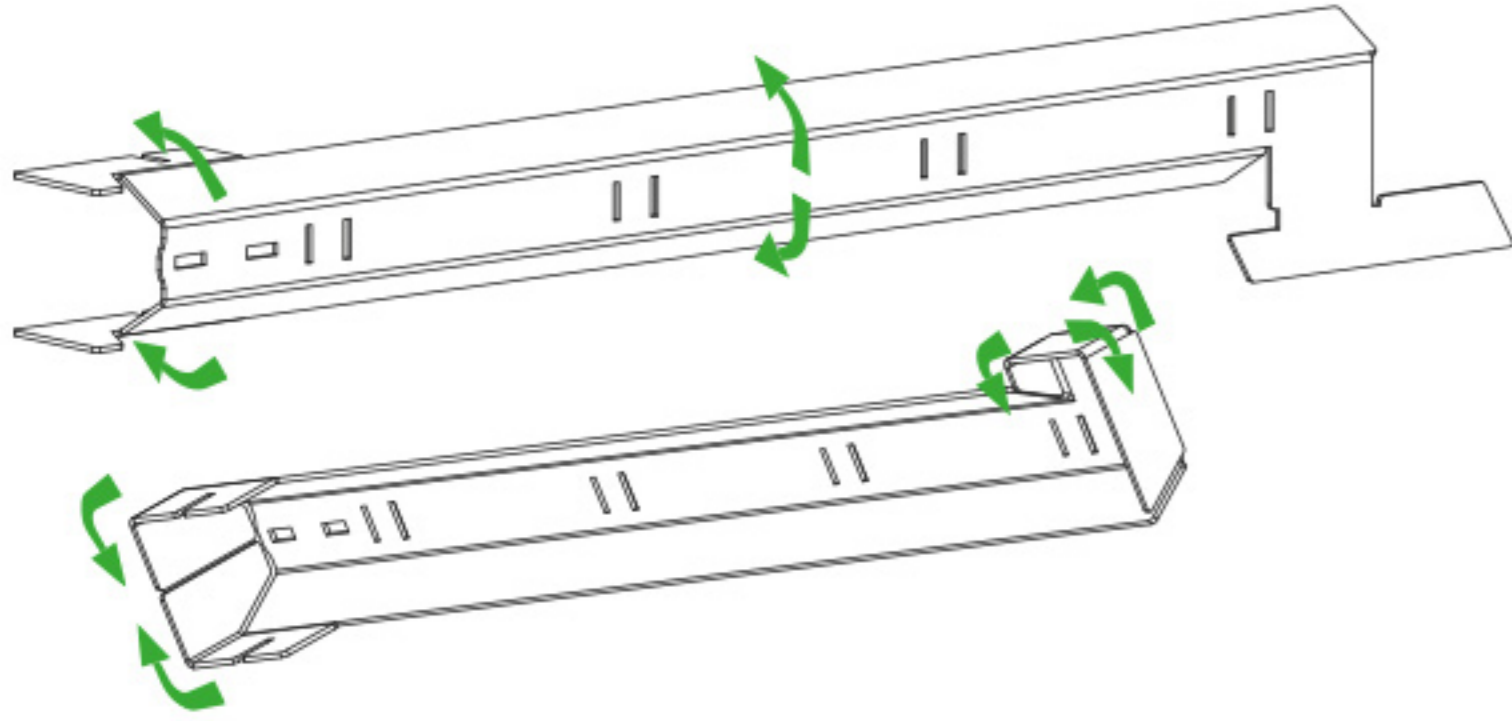




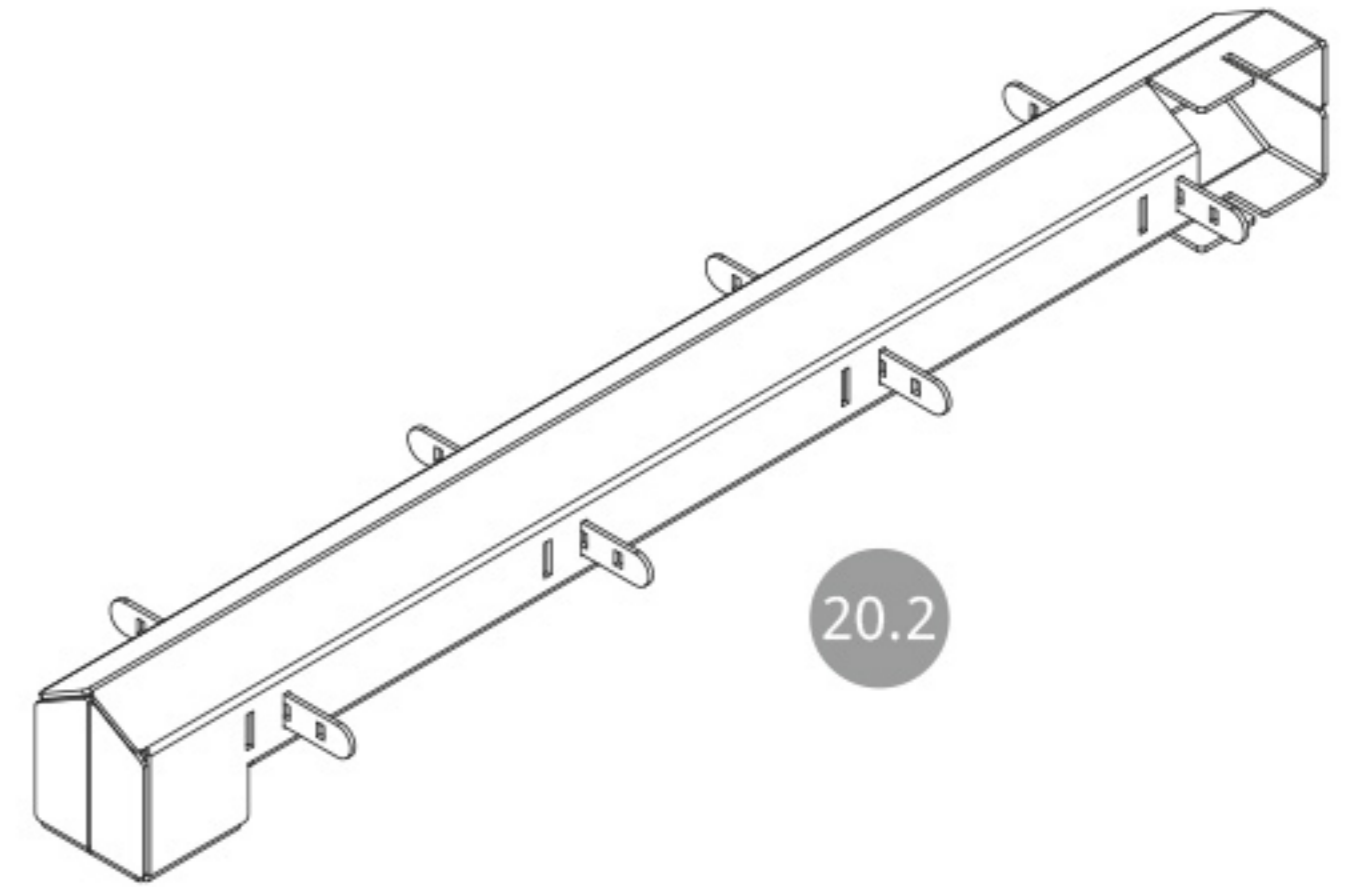




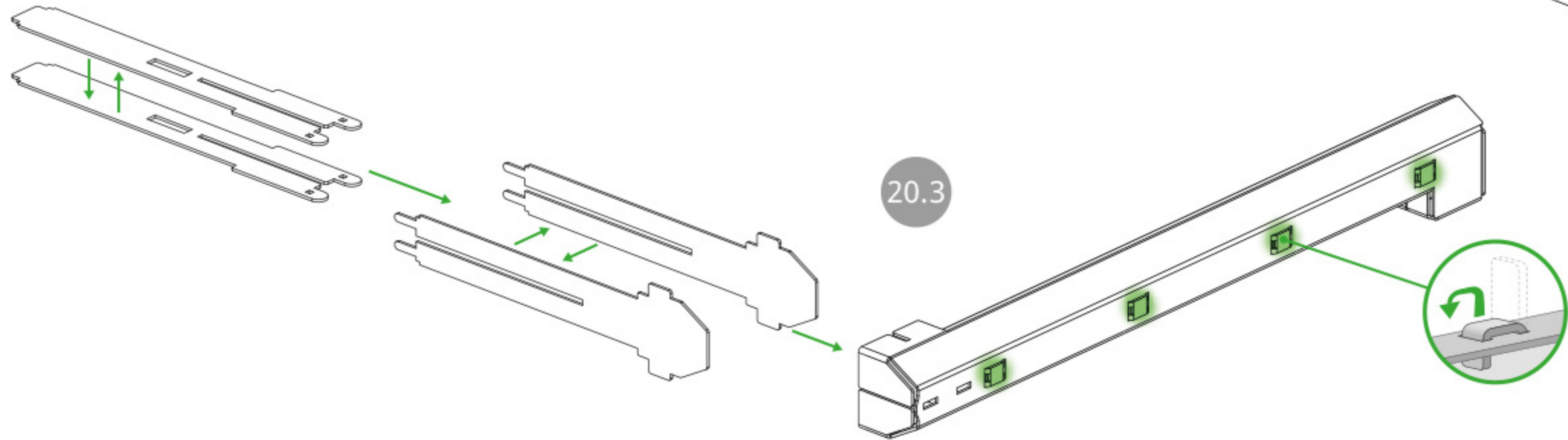
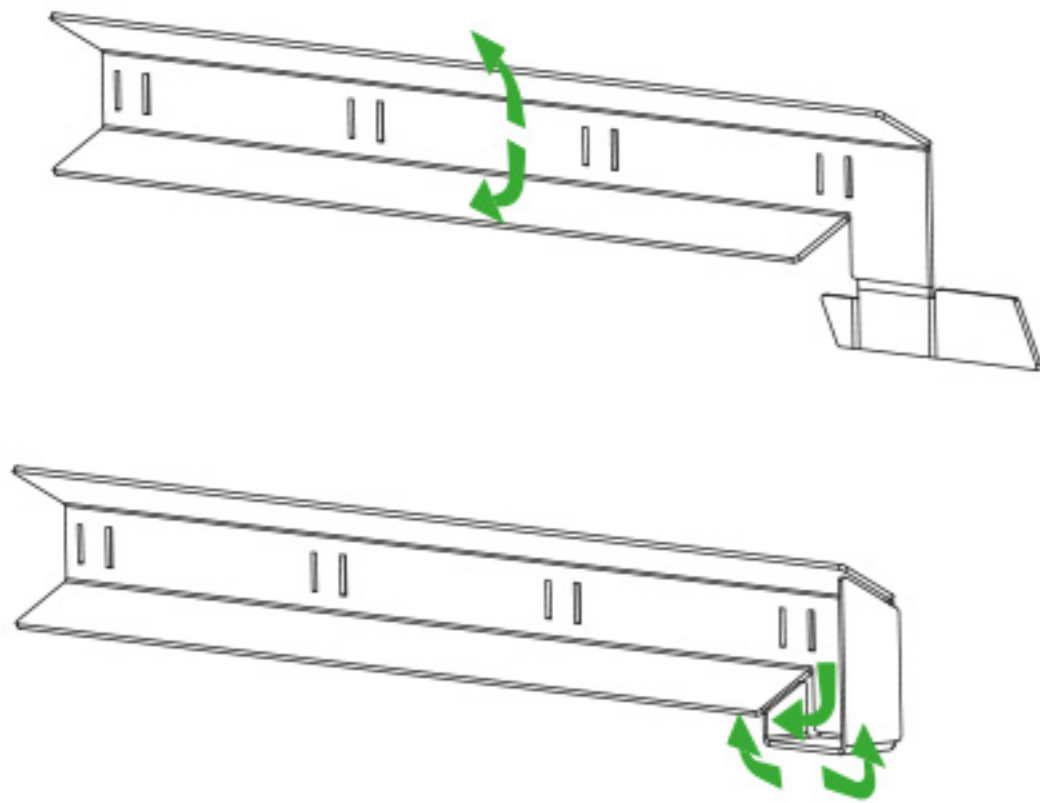
#3



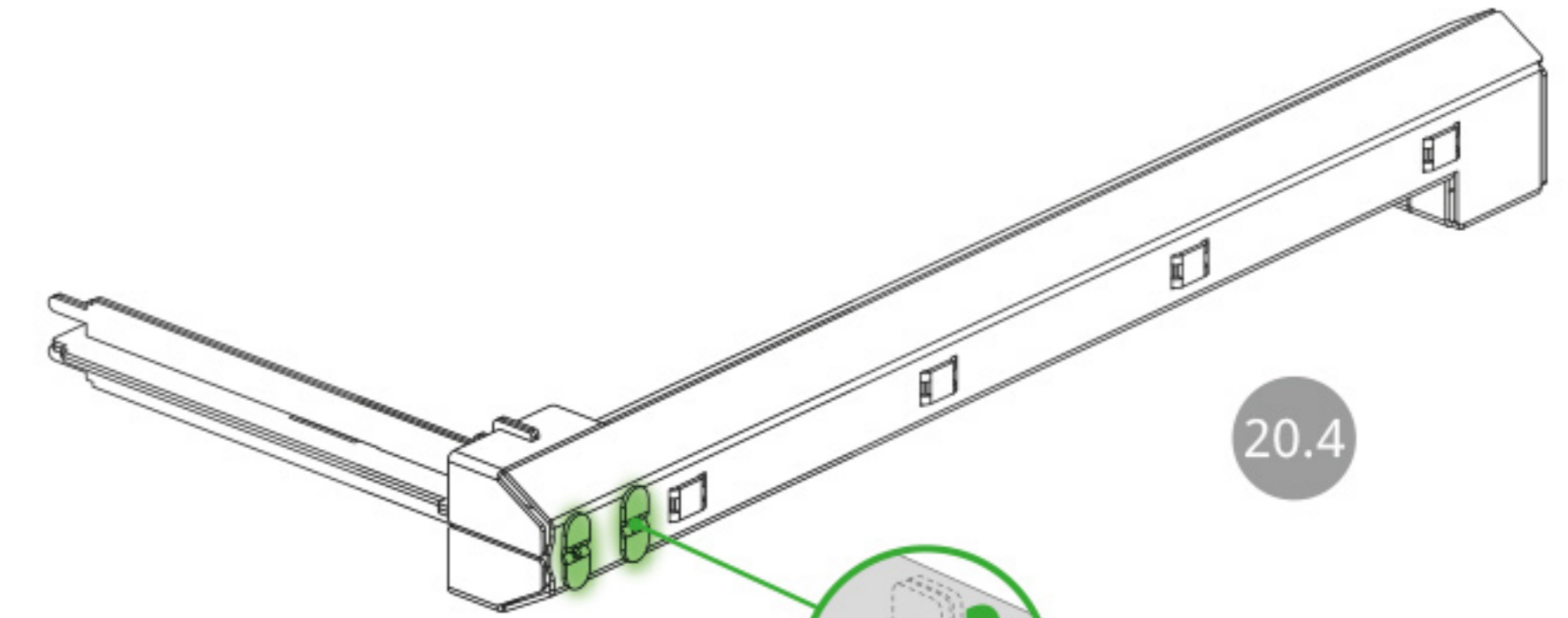
20.1



20.2

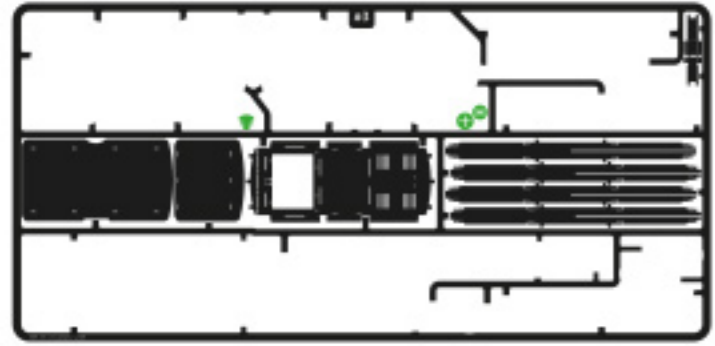


20.3

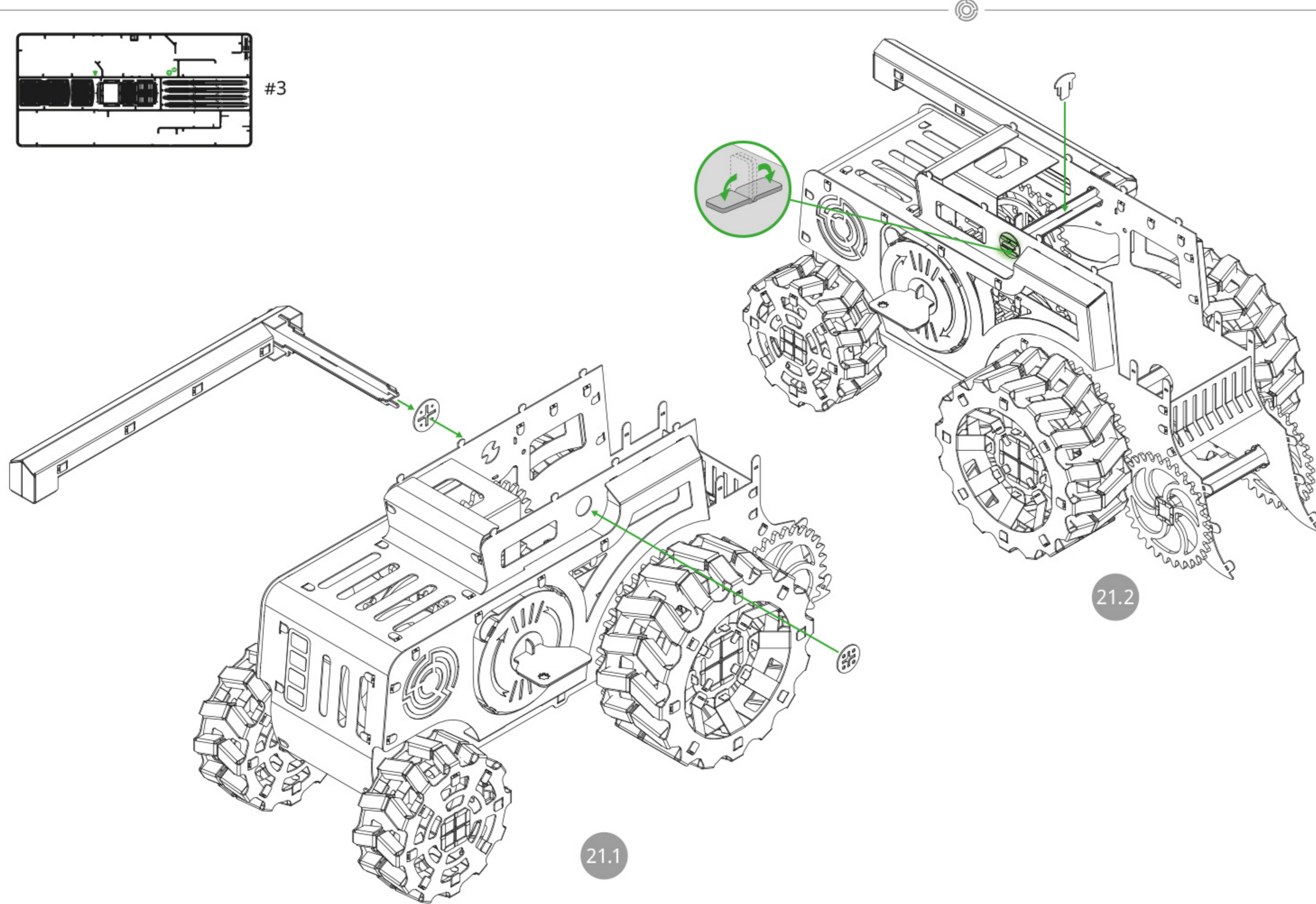


20.4



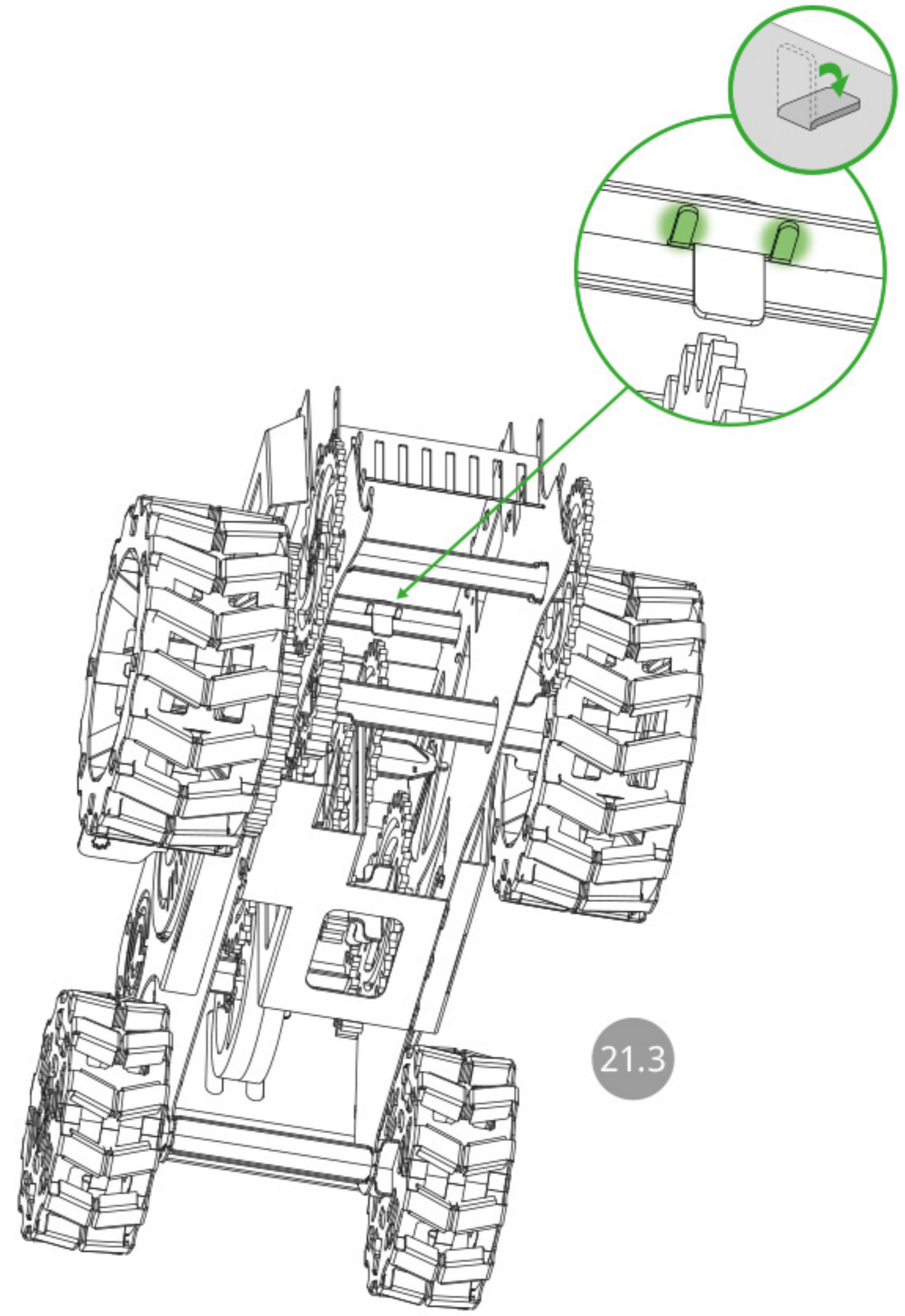


#3



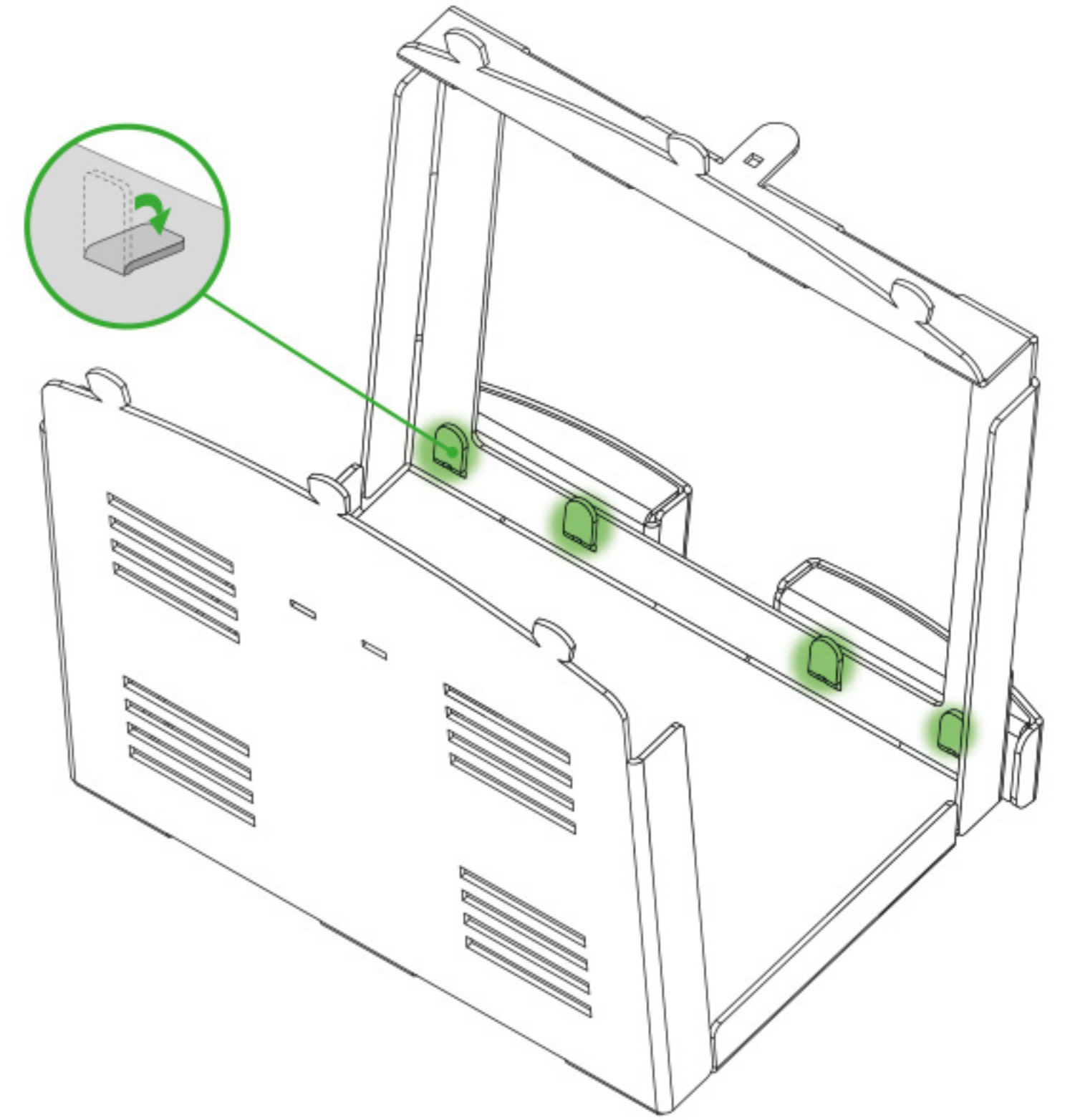
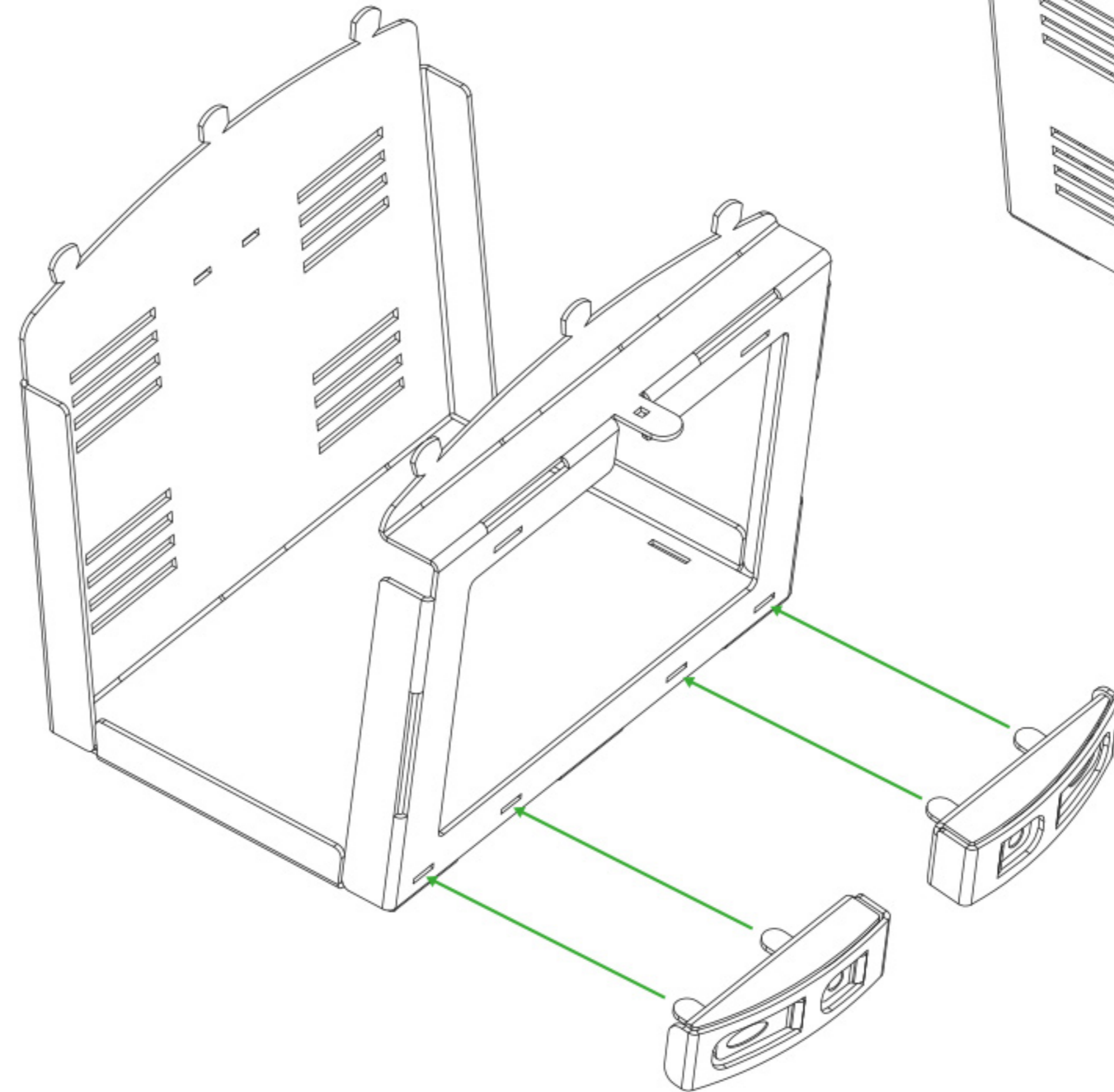
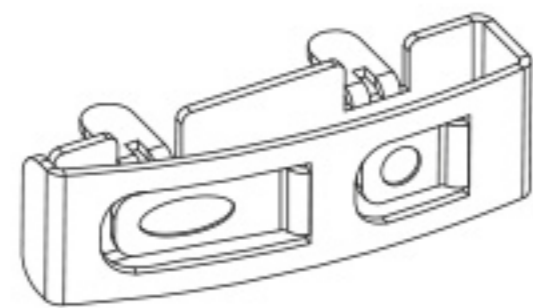
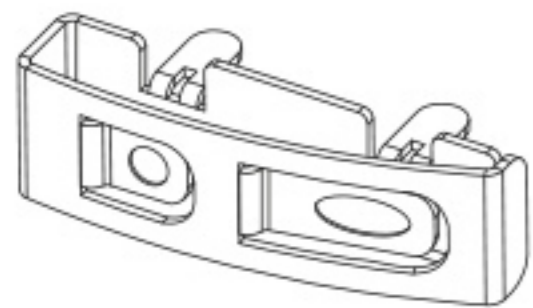
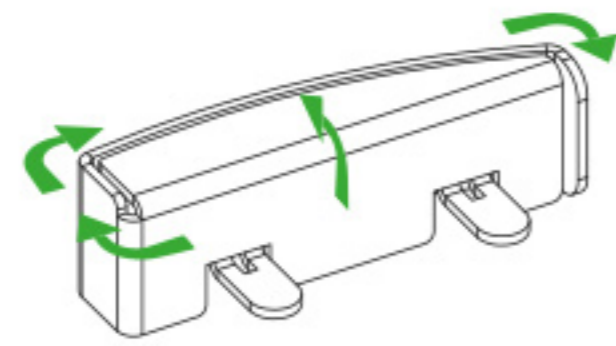
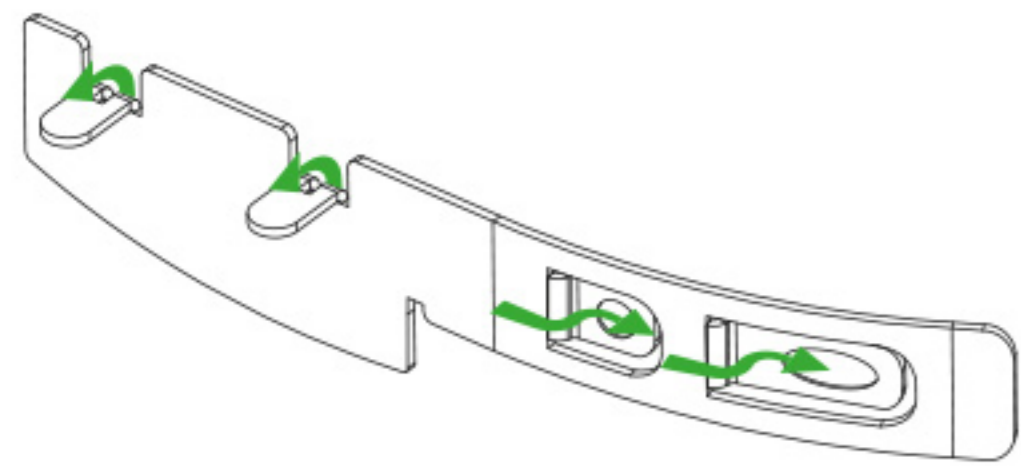
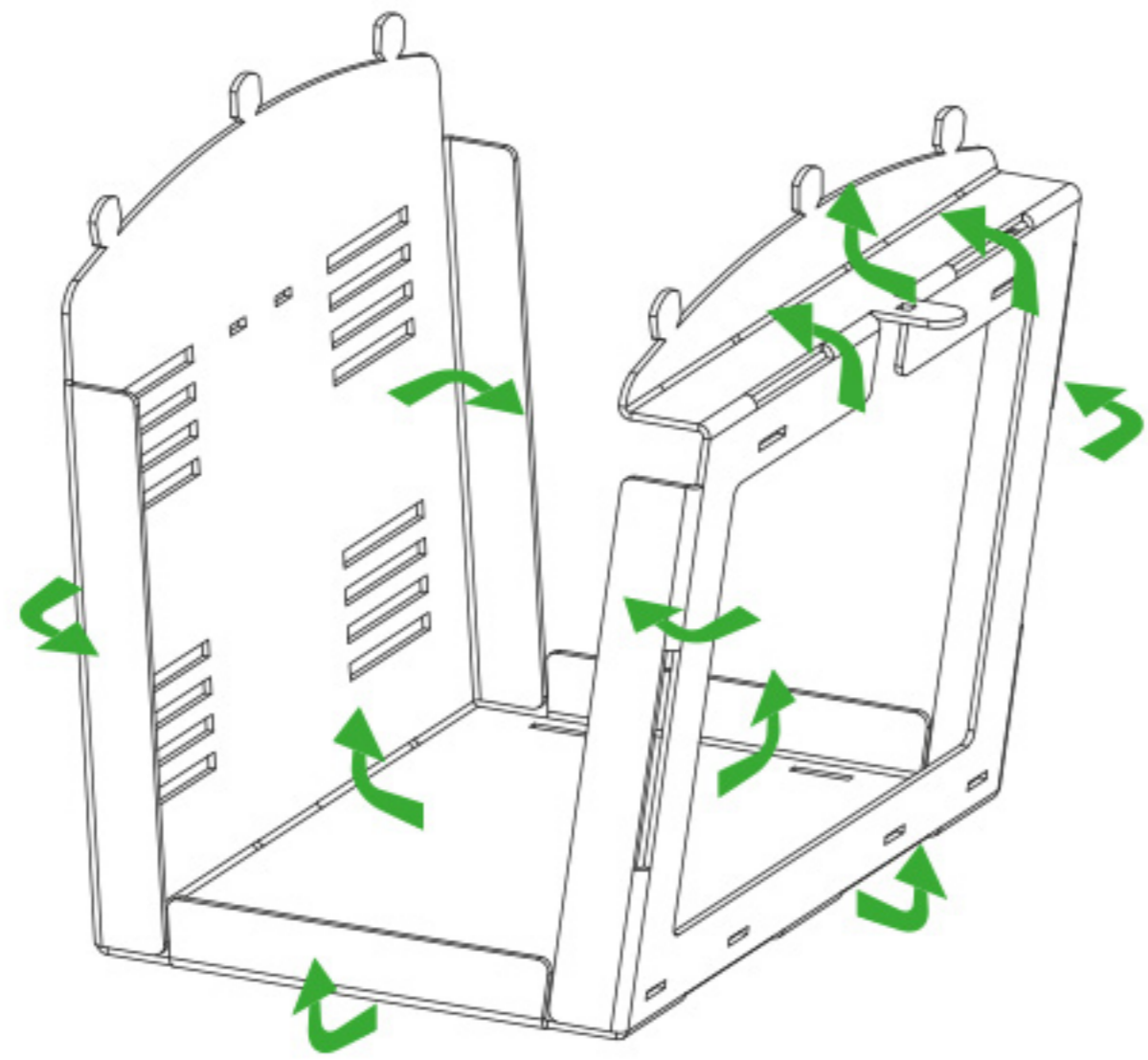
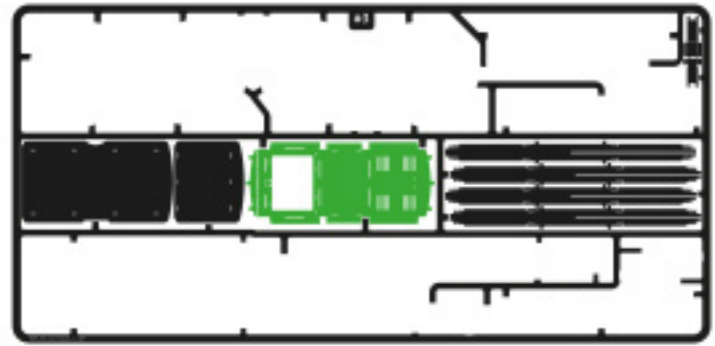
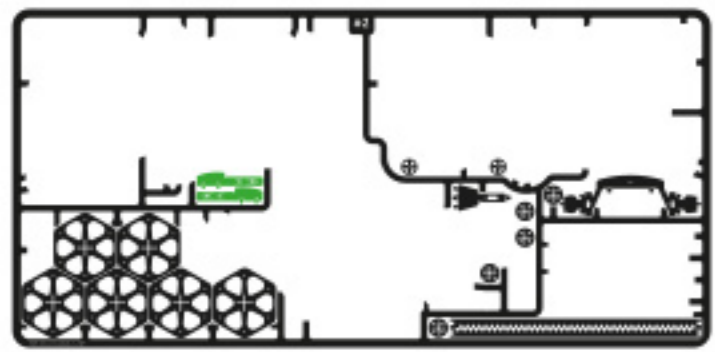
21.1

21.2

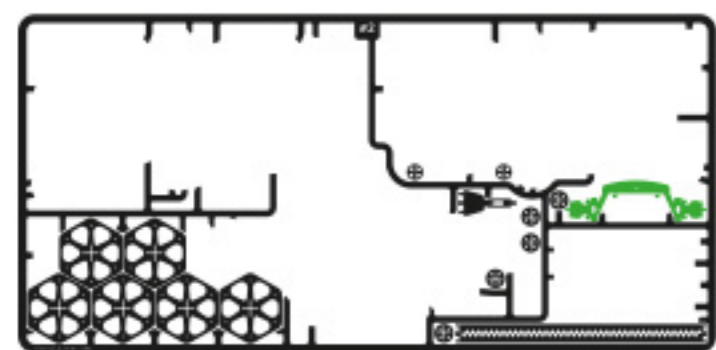


21.3

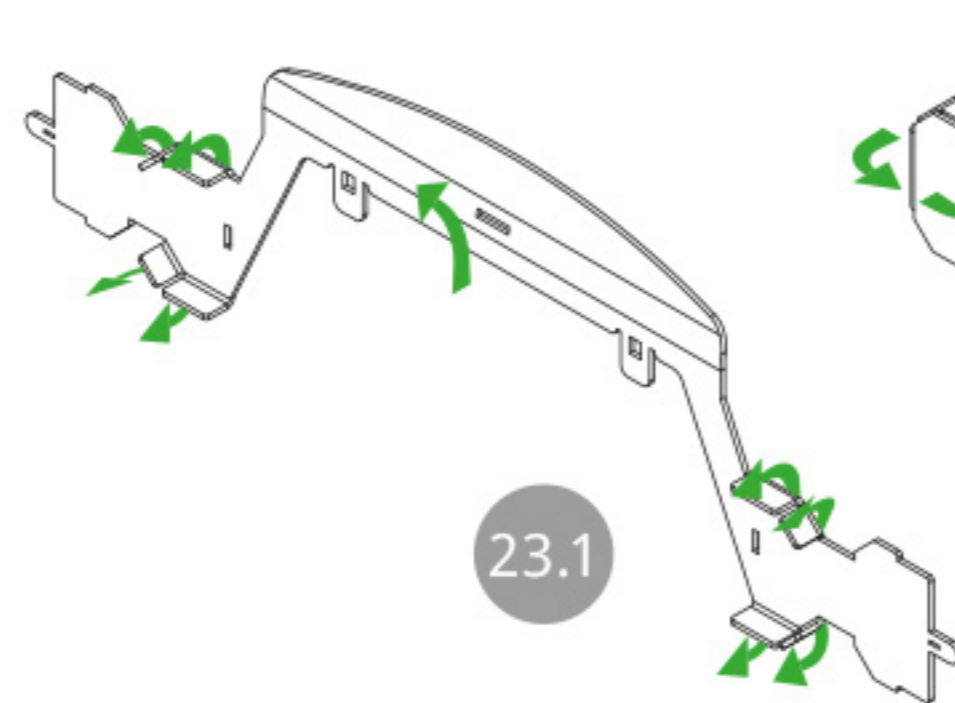




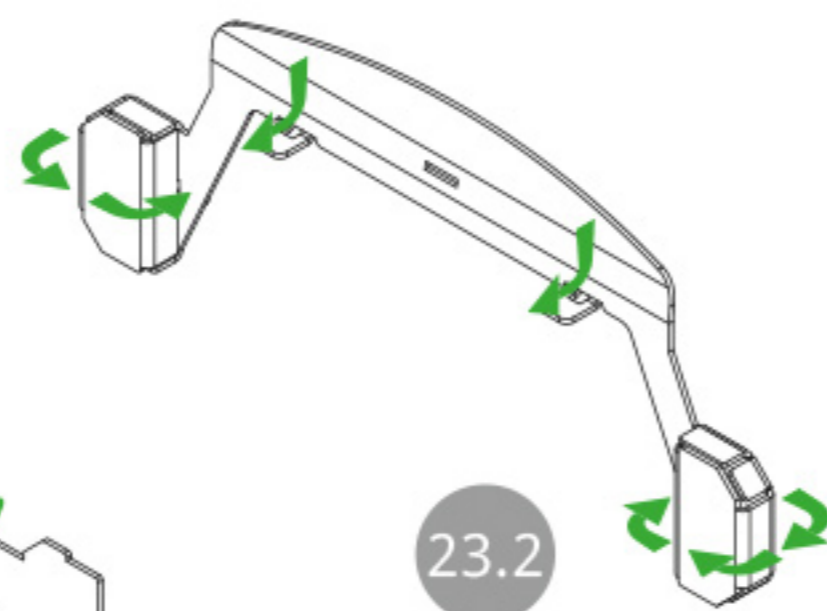




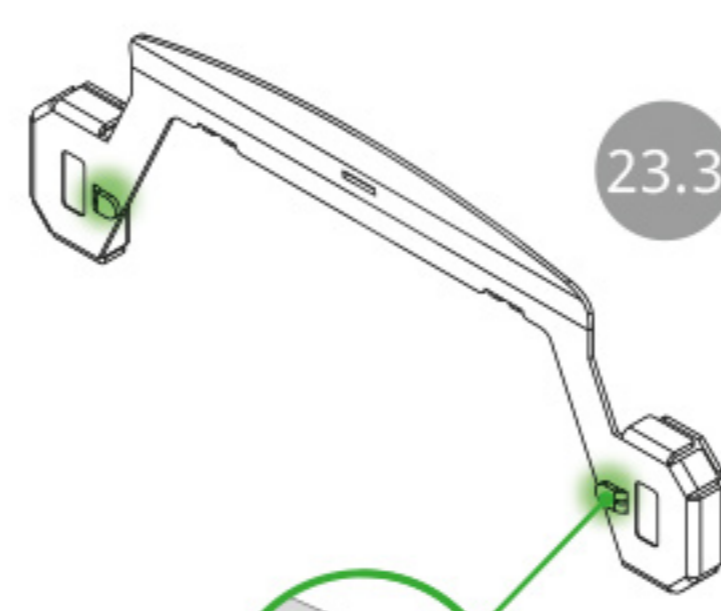
#2



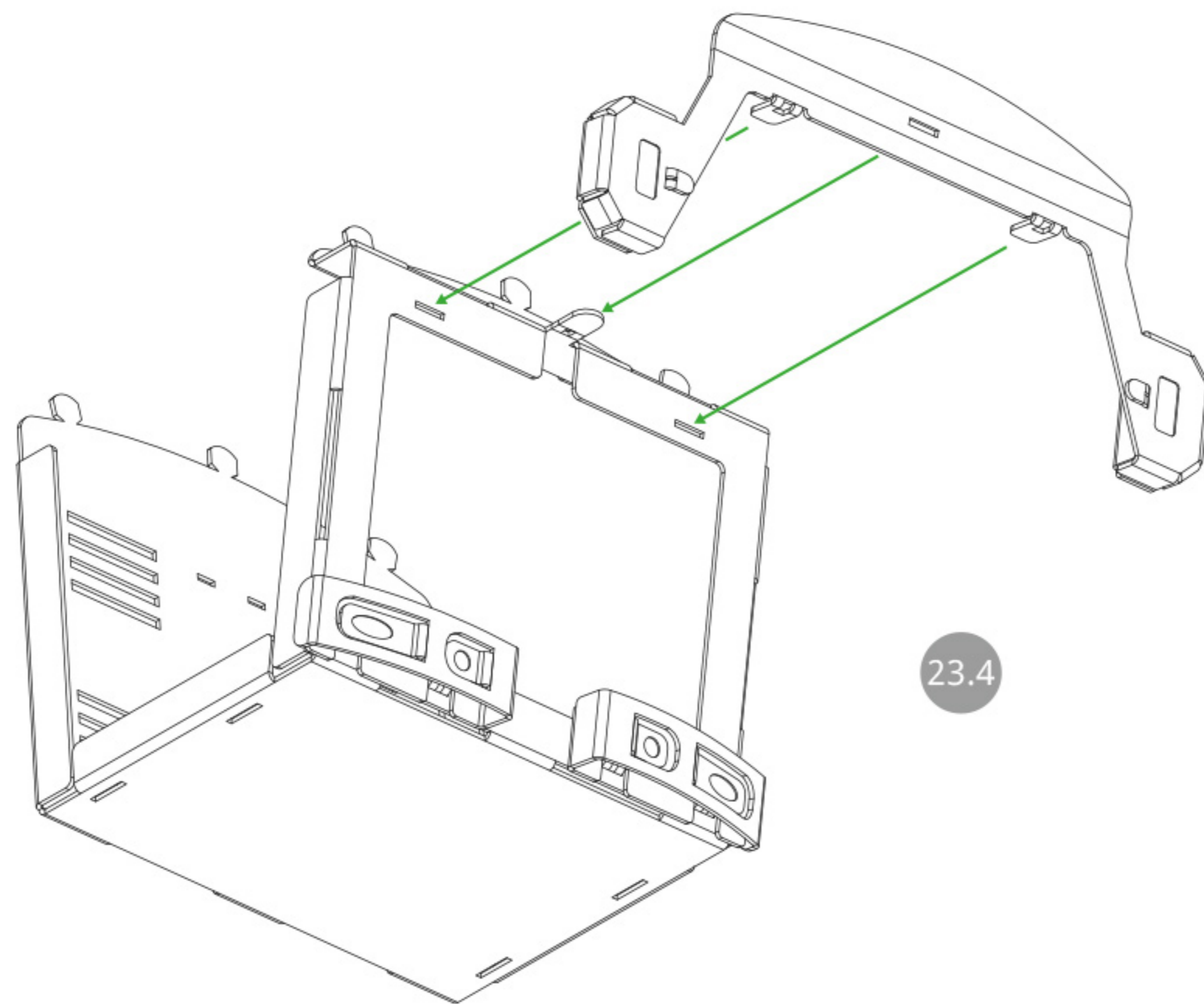
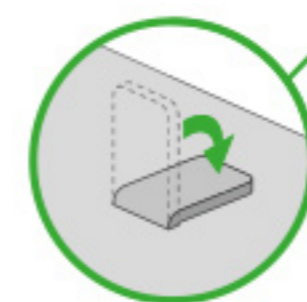
23.1



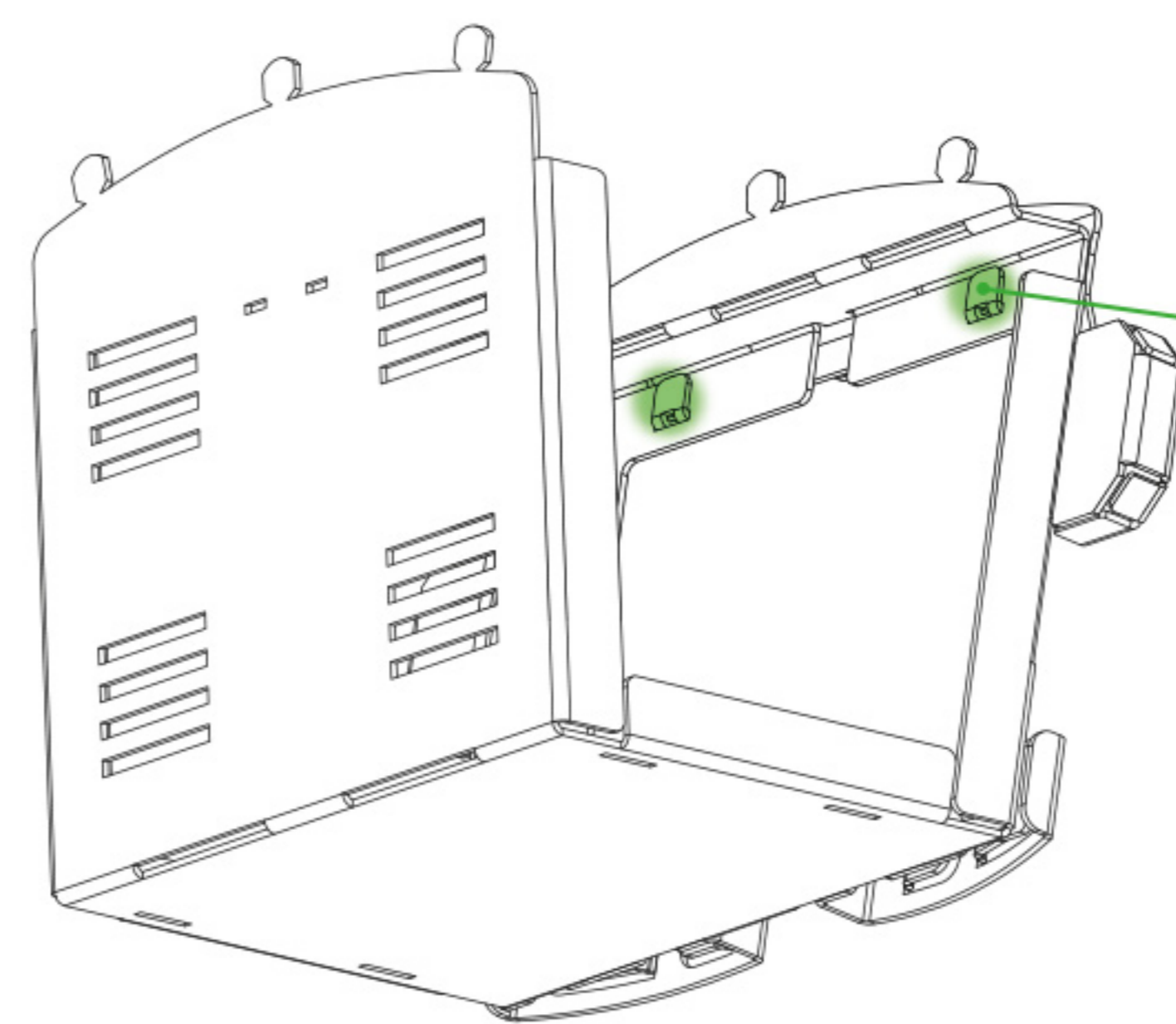
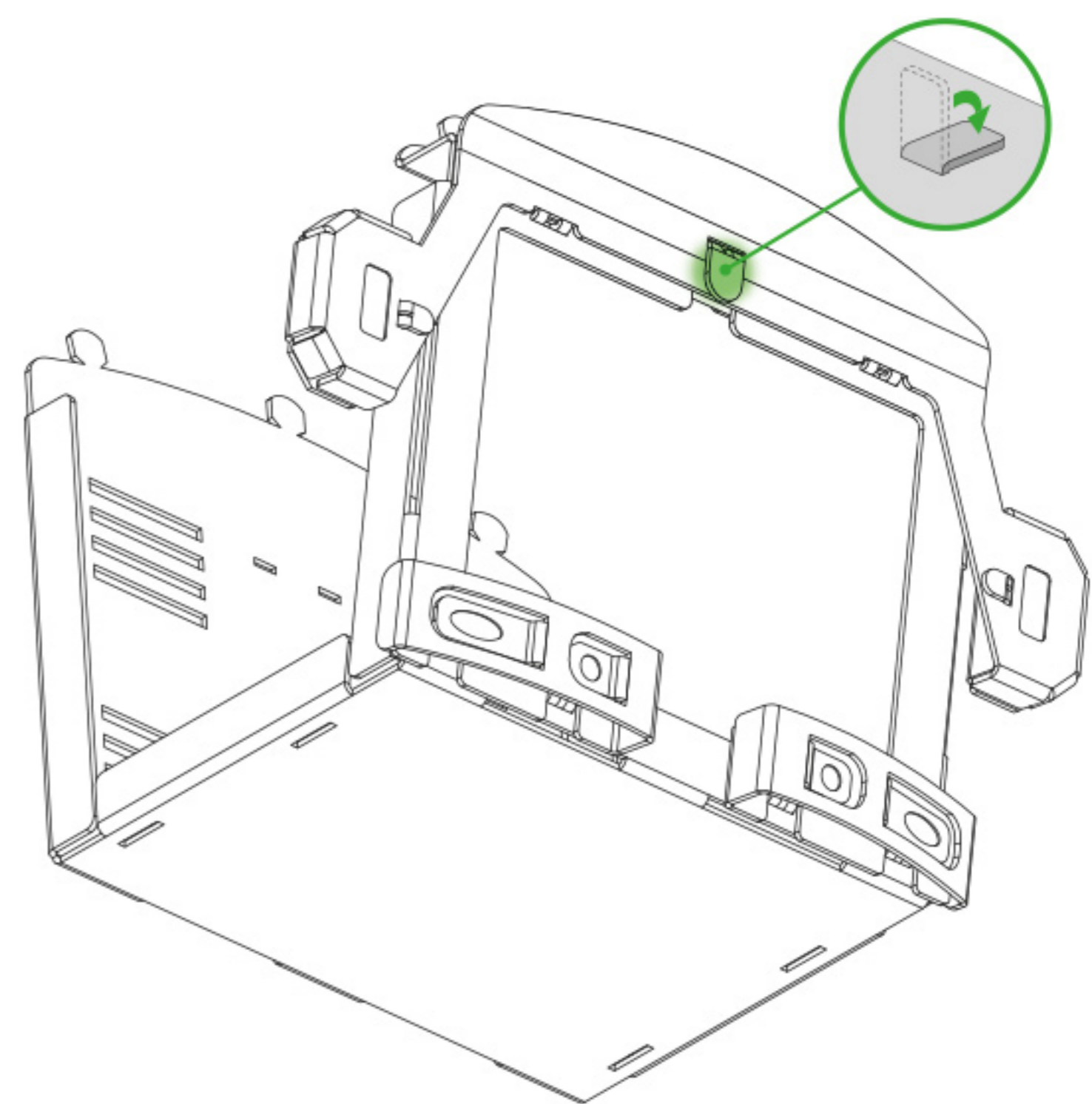
23.2



23.3

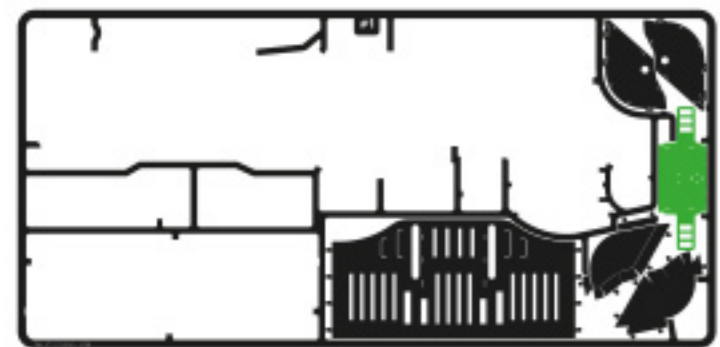


23.4

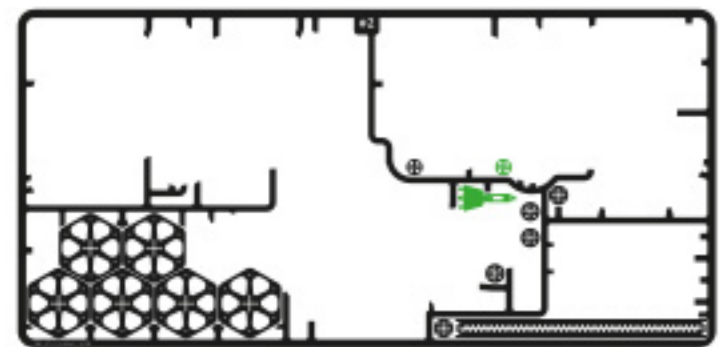


23.5

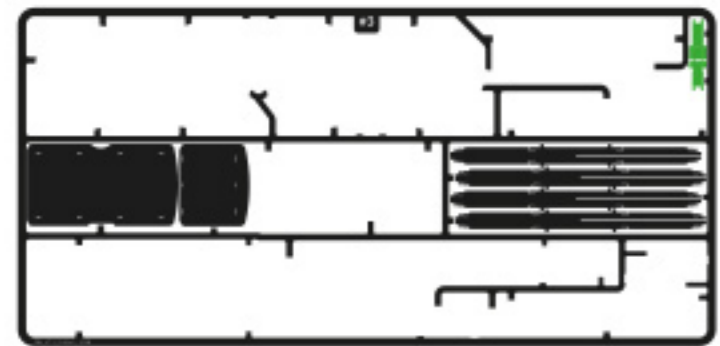




#1



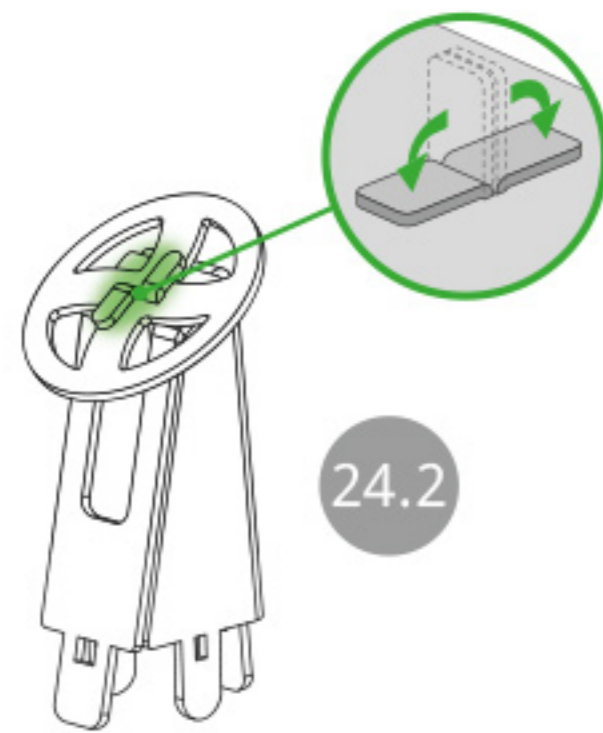
#2



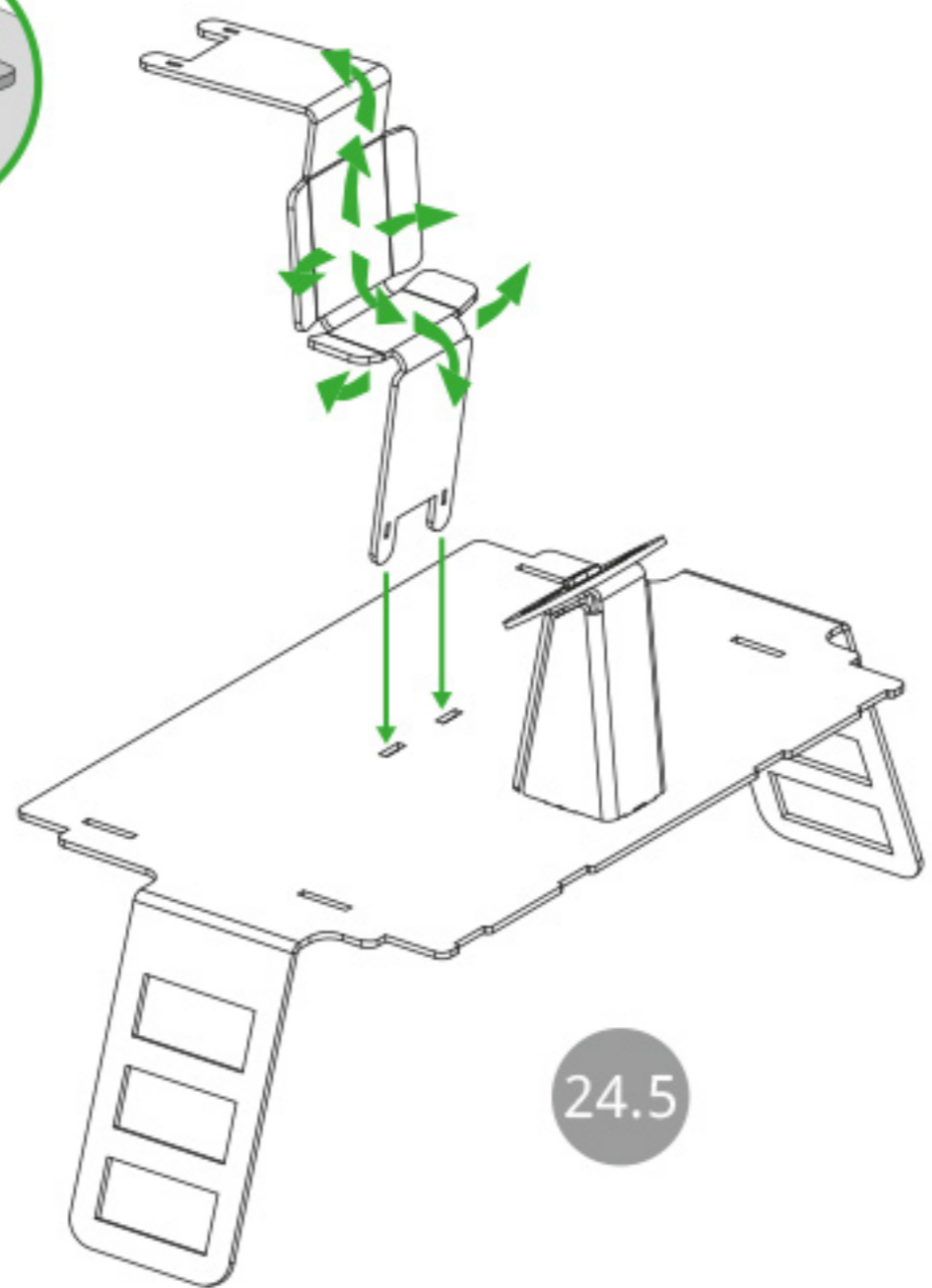
#3



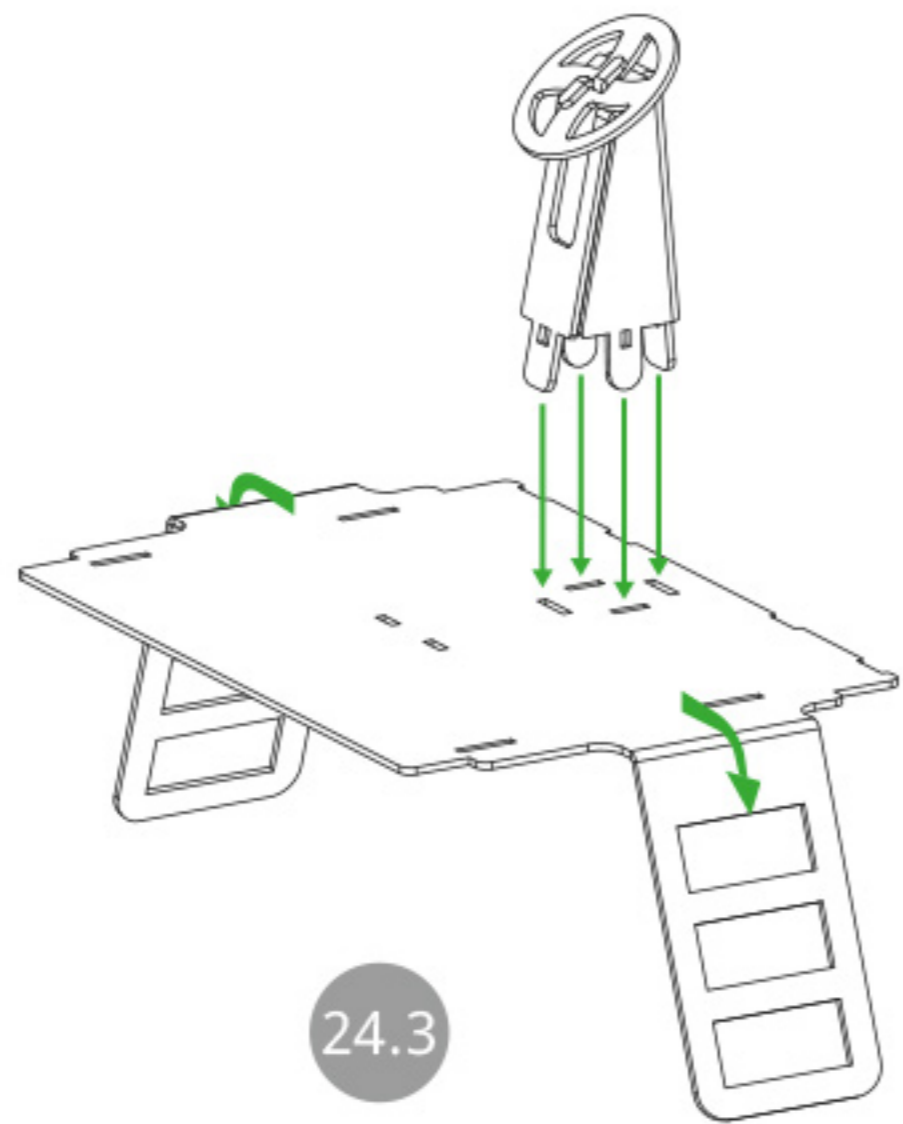
24.1



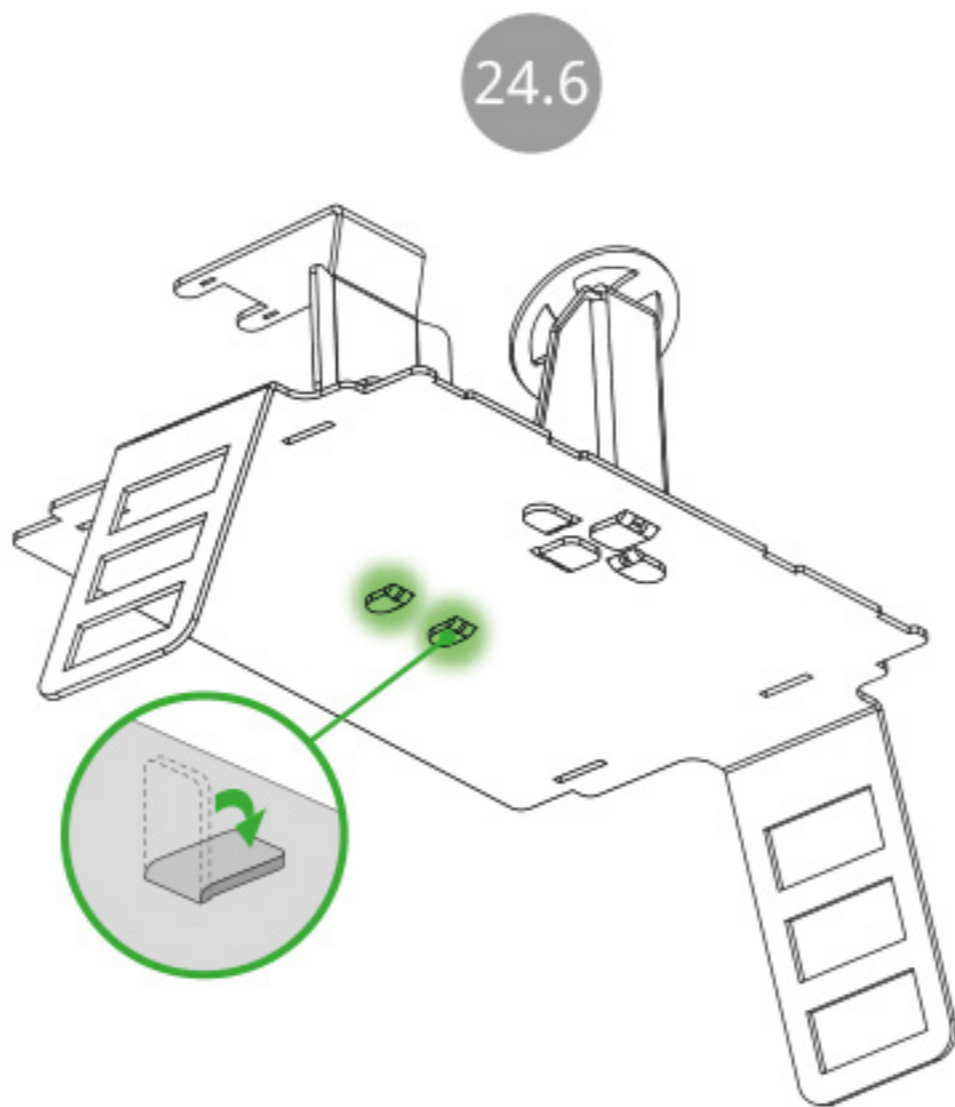
24.2



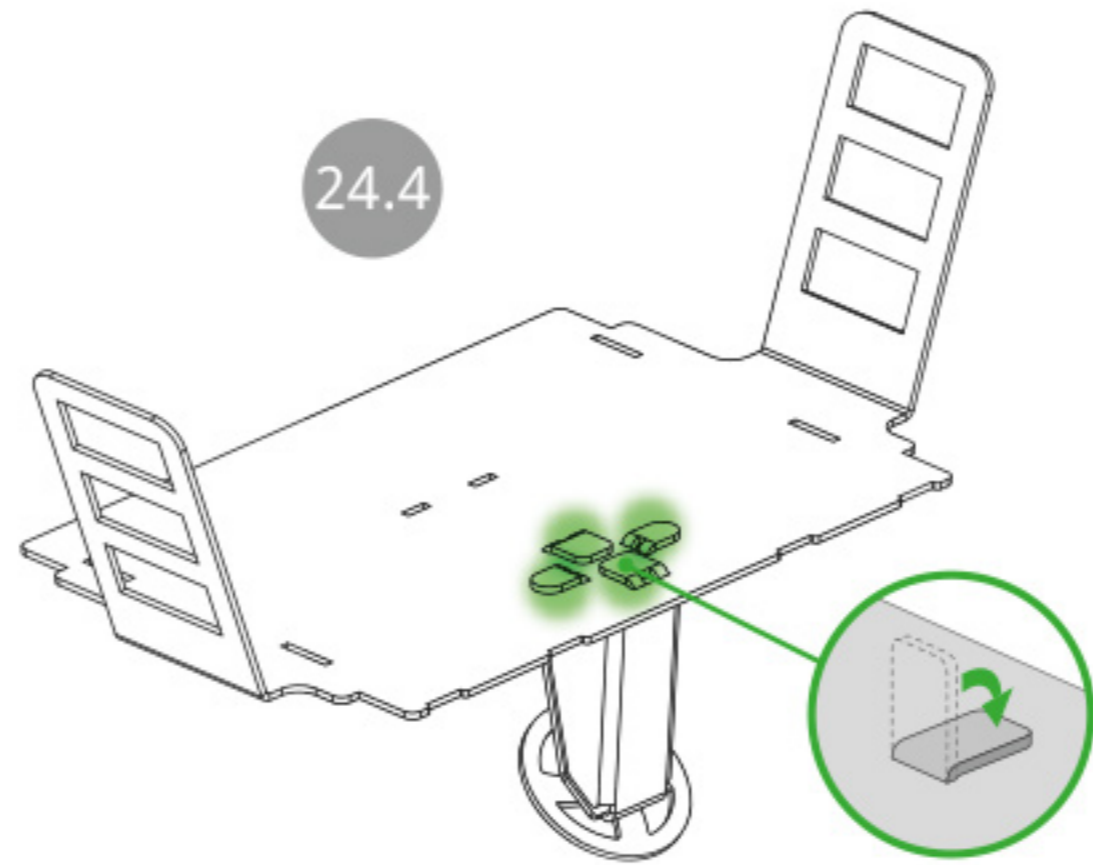
24.5



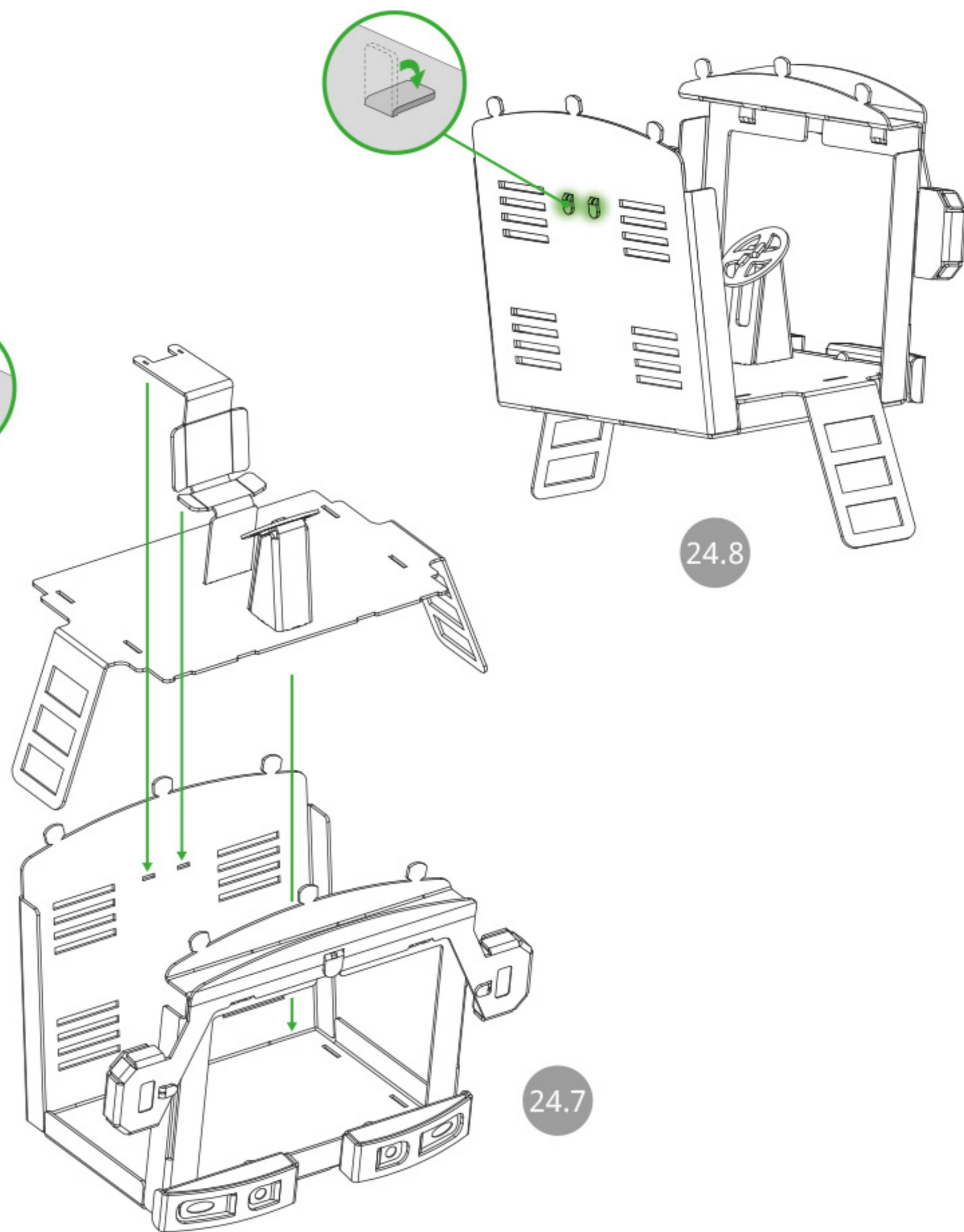
24.3



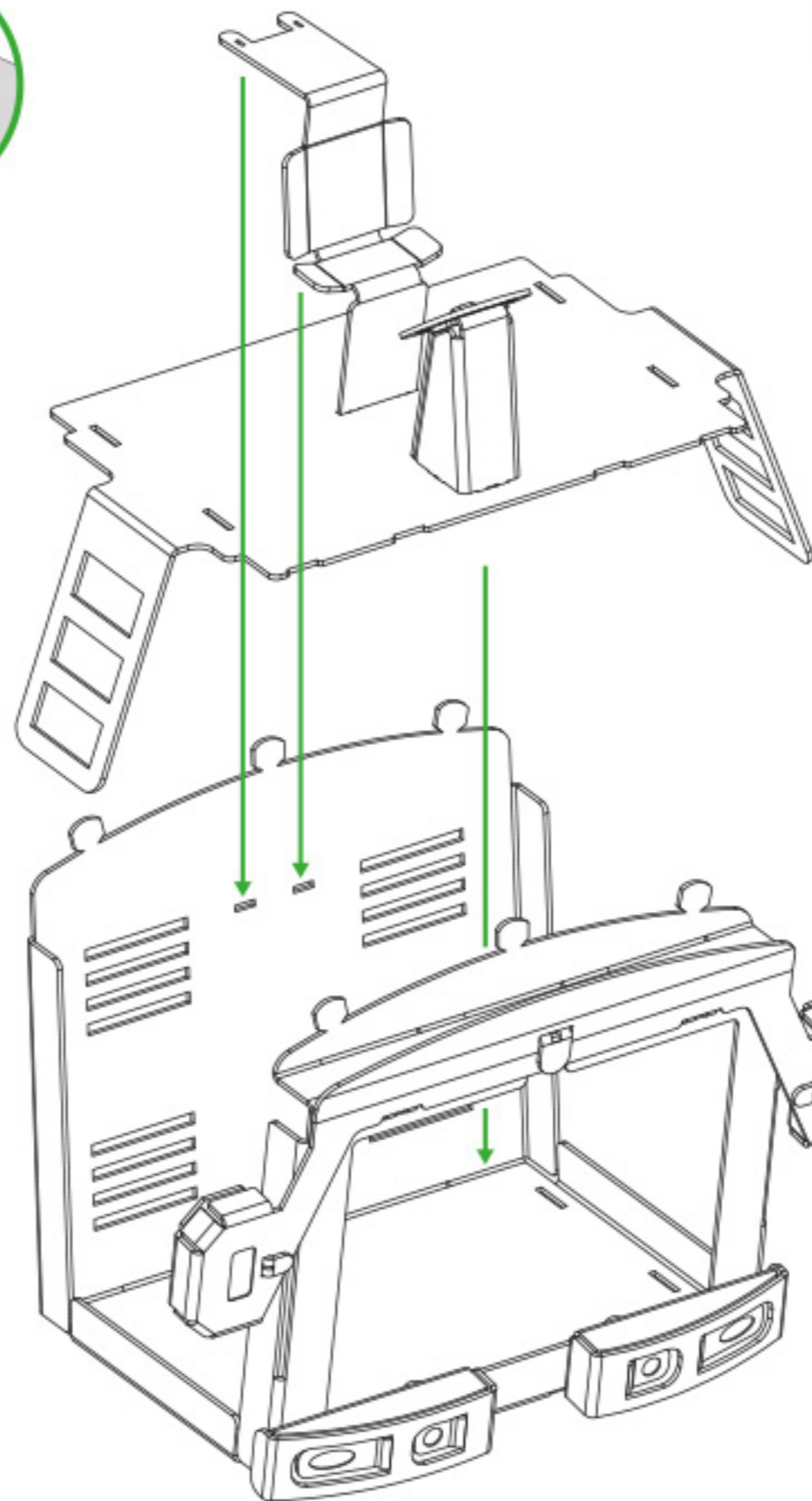
24.6



24.4

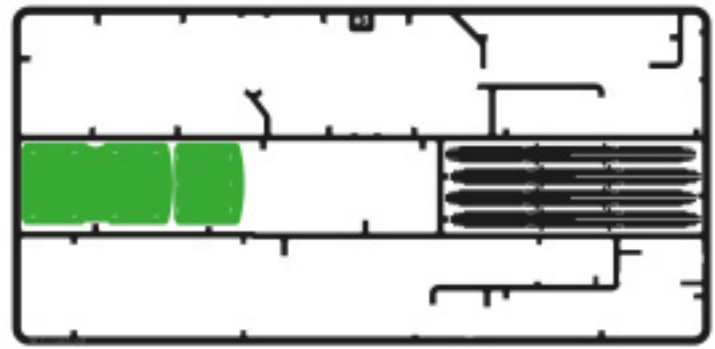


24.8

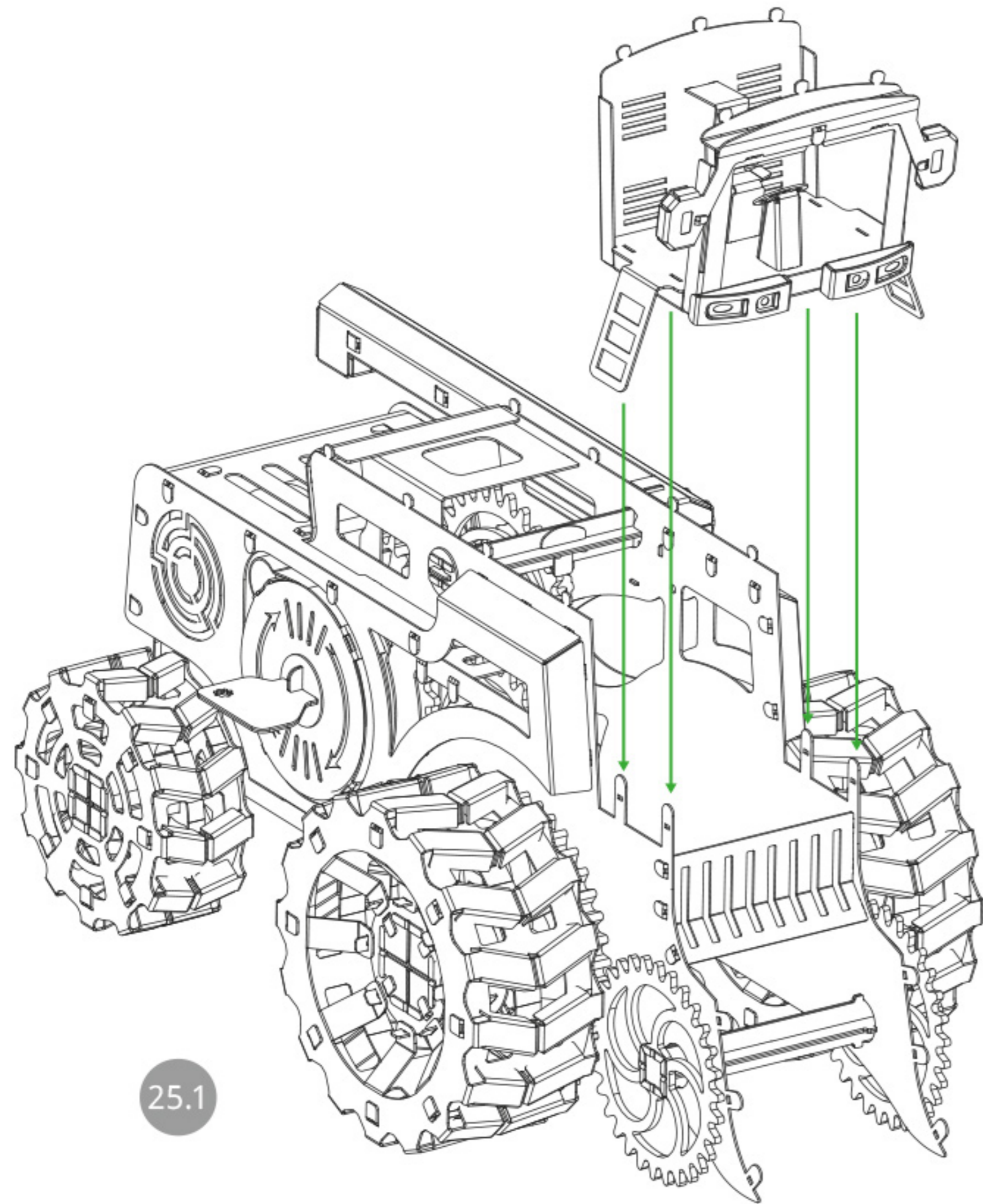


24.7

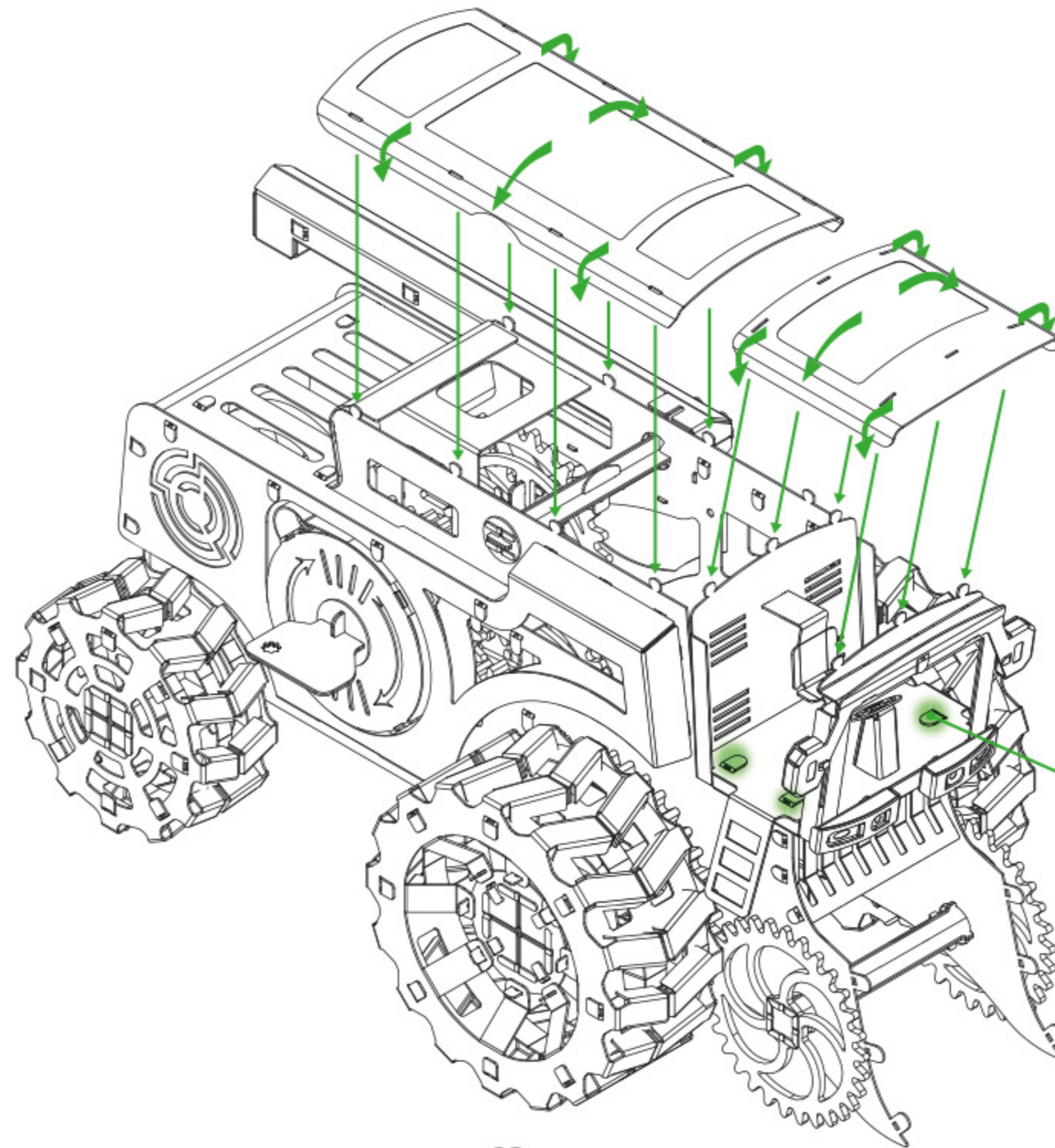




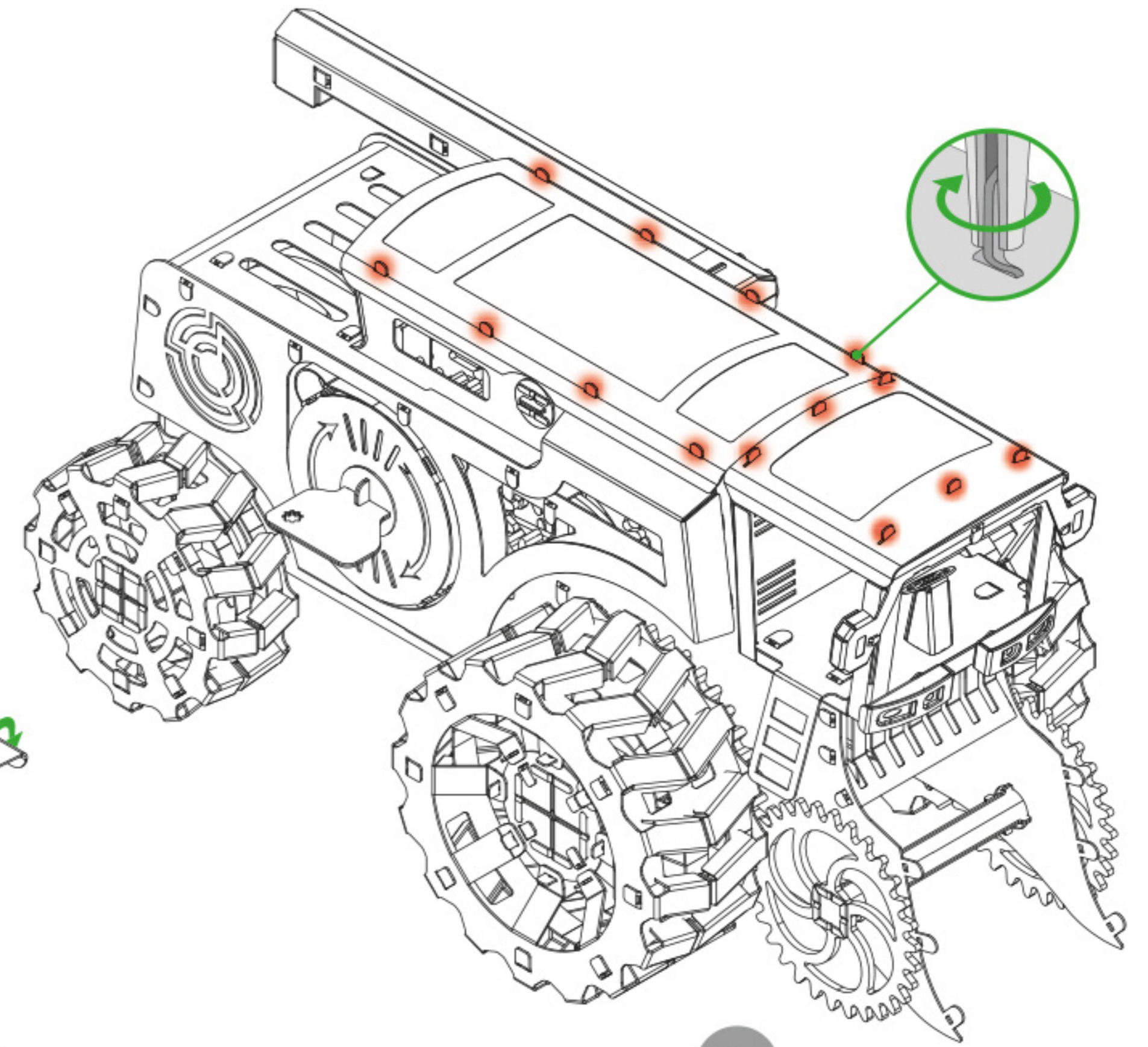
#3



25.1

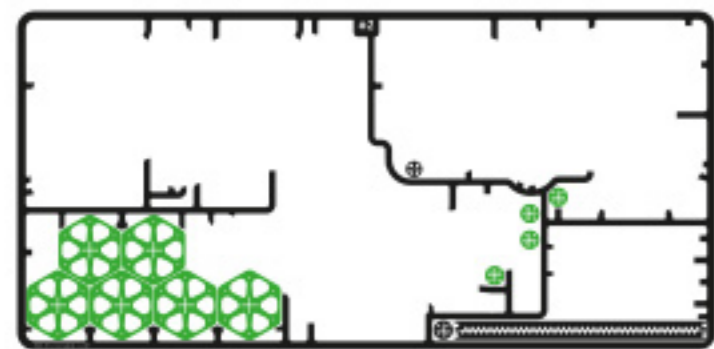


25.2



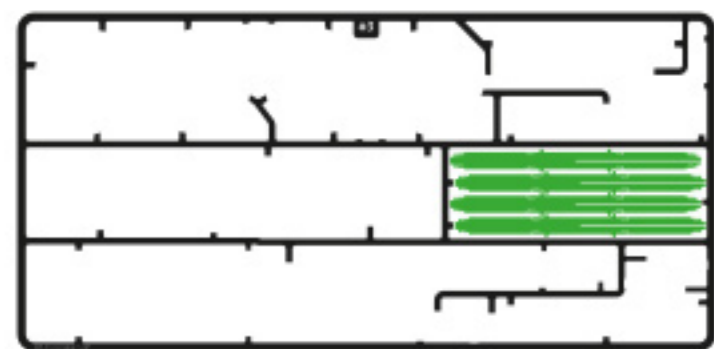
25.3



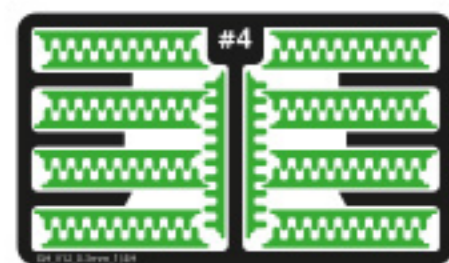


#2

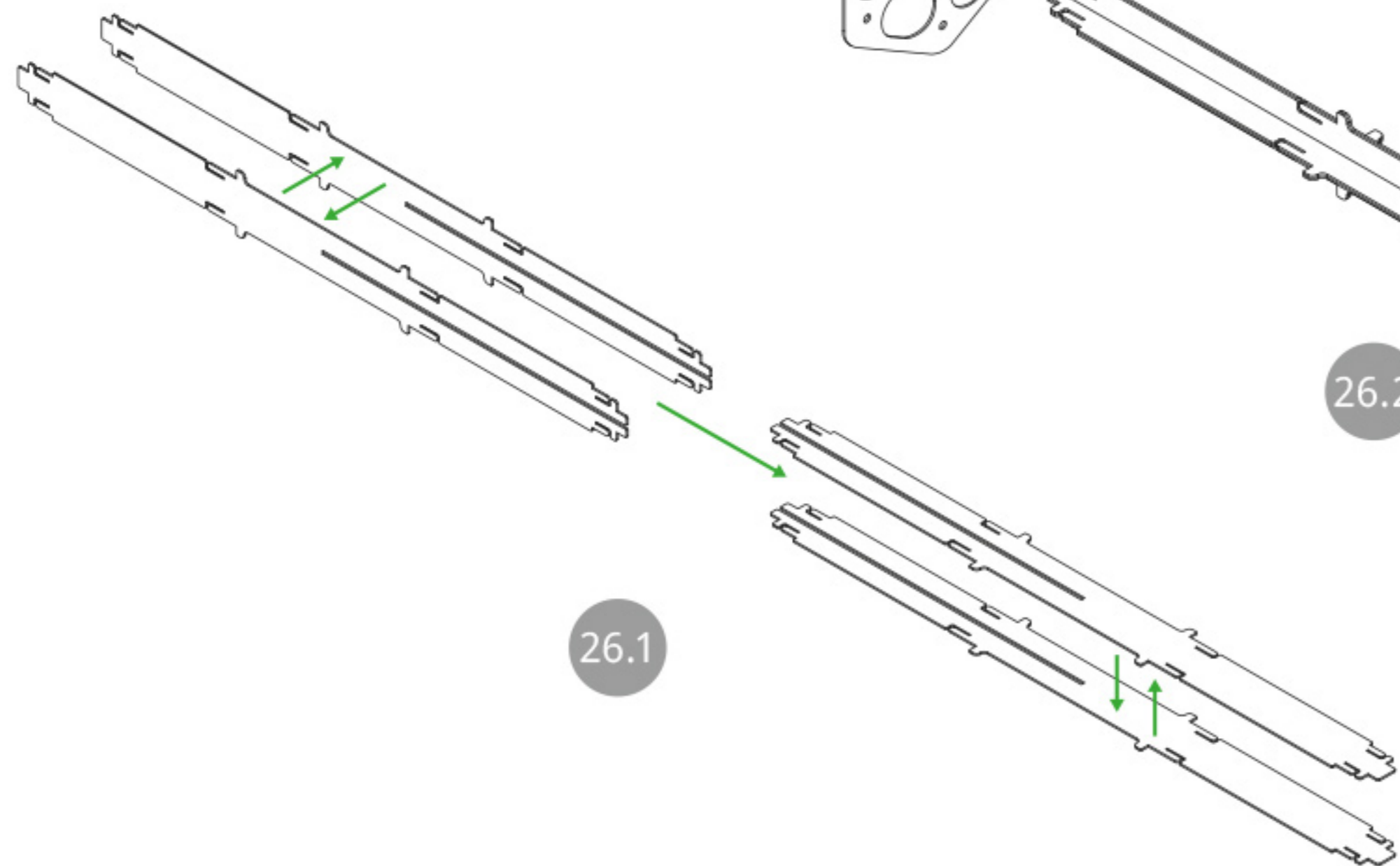
G6 x2



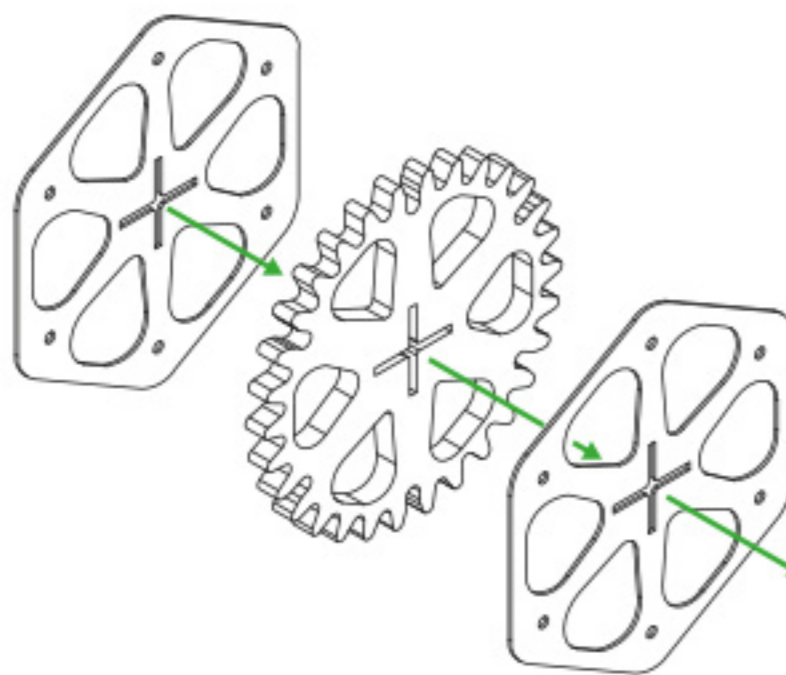
#3



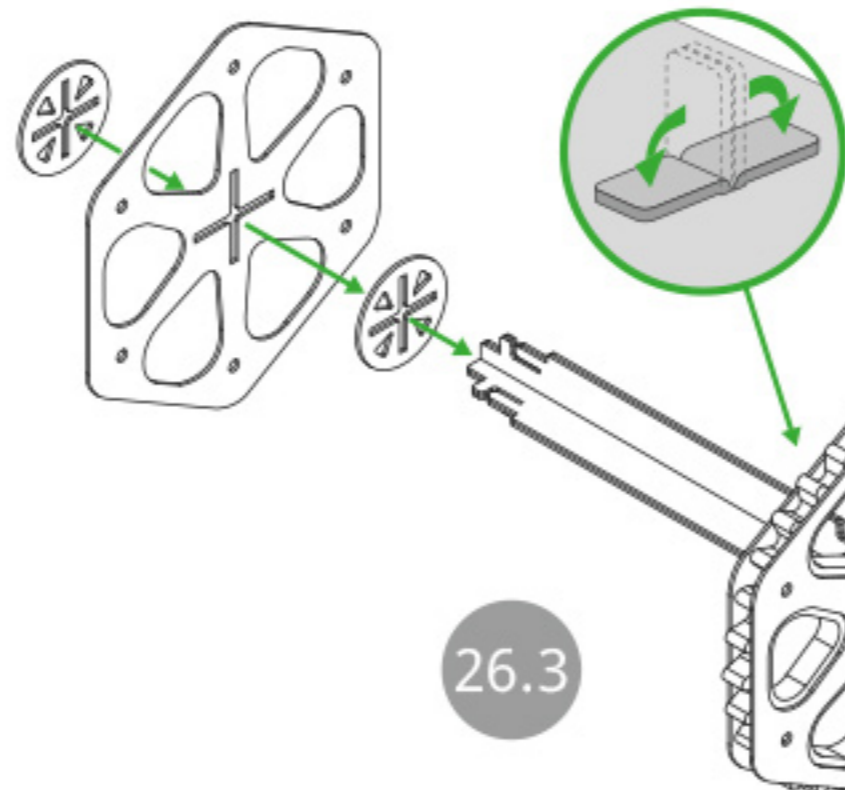
#3



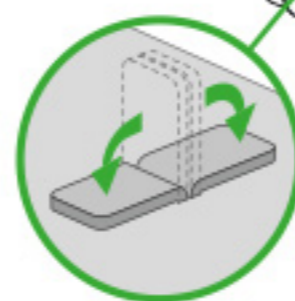
26.1



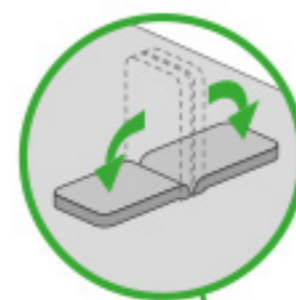
26.2



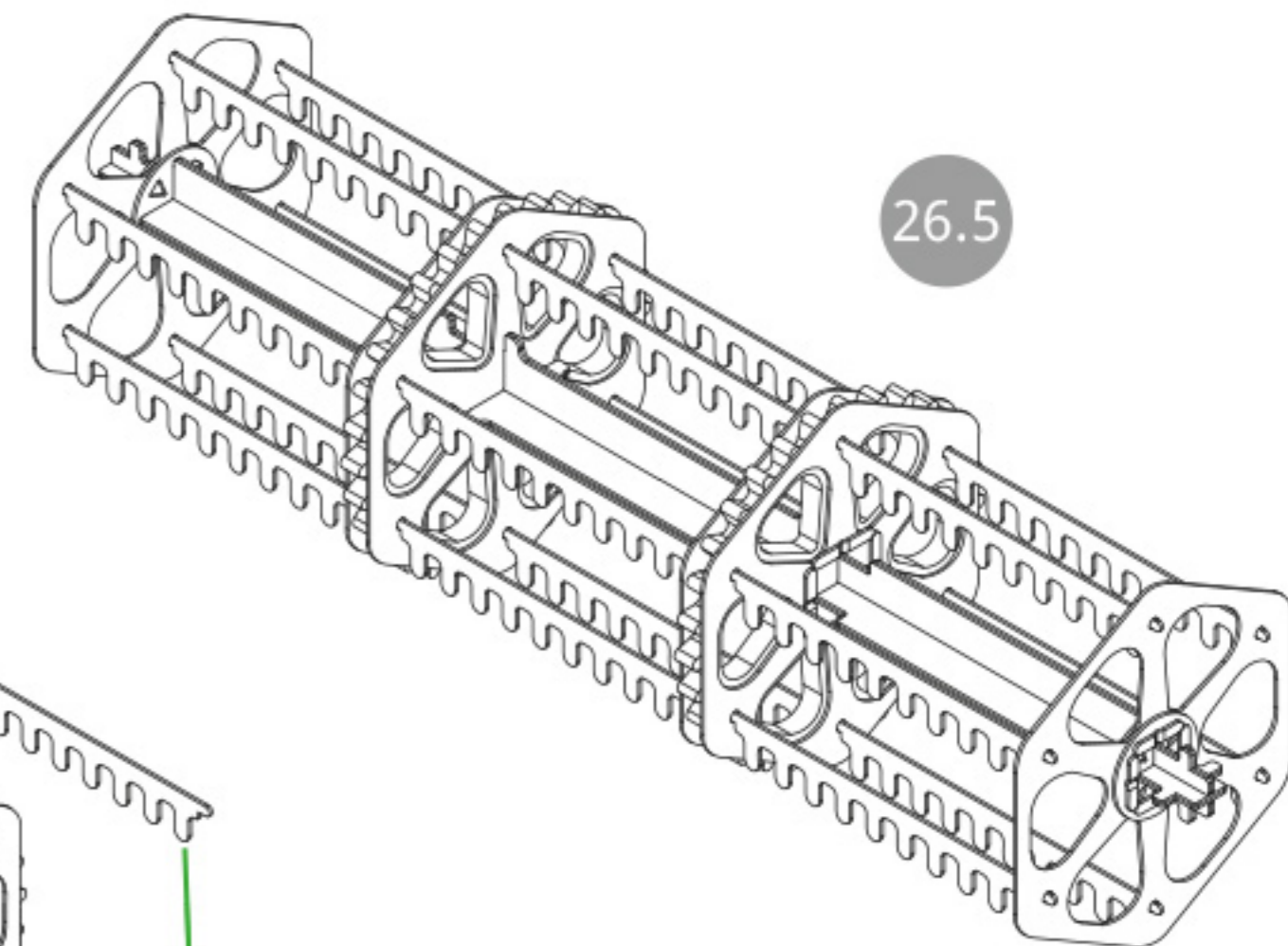
26.3



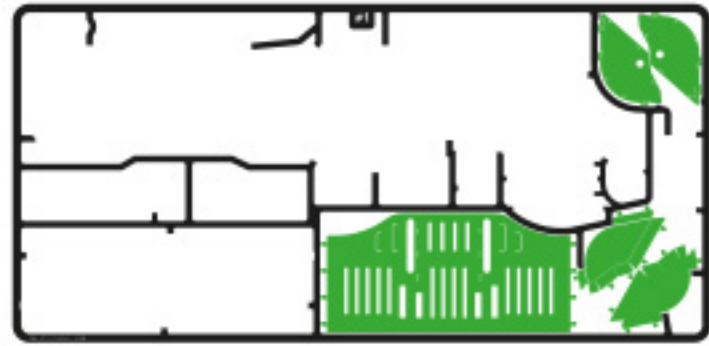
26.4



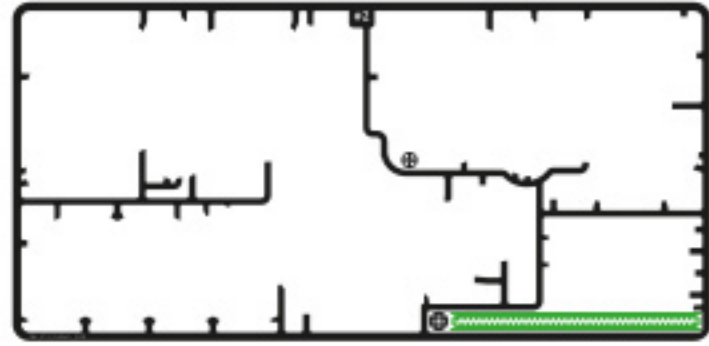
26.5



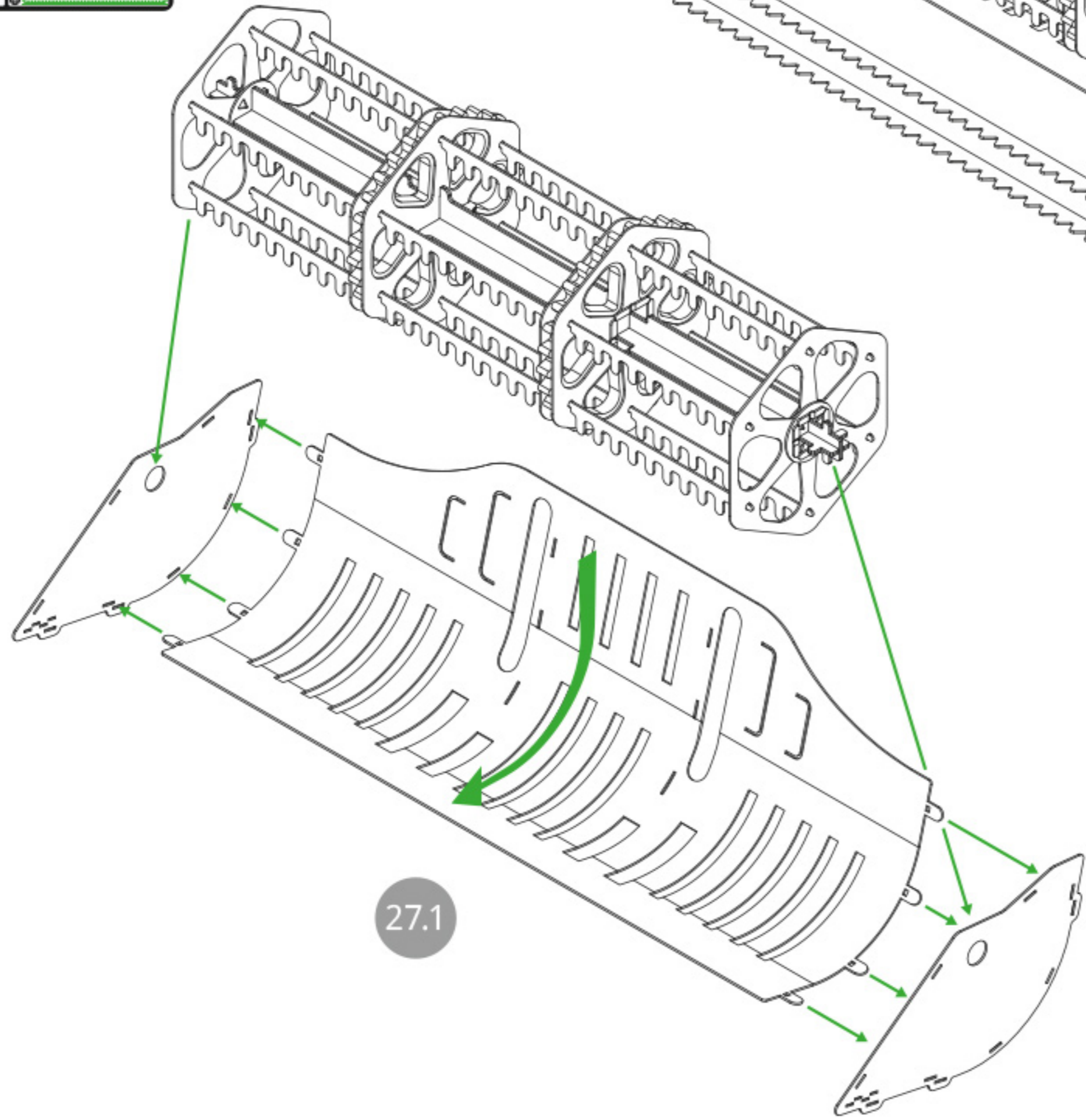




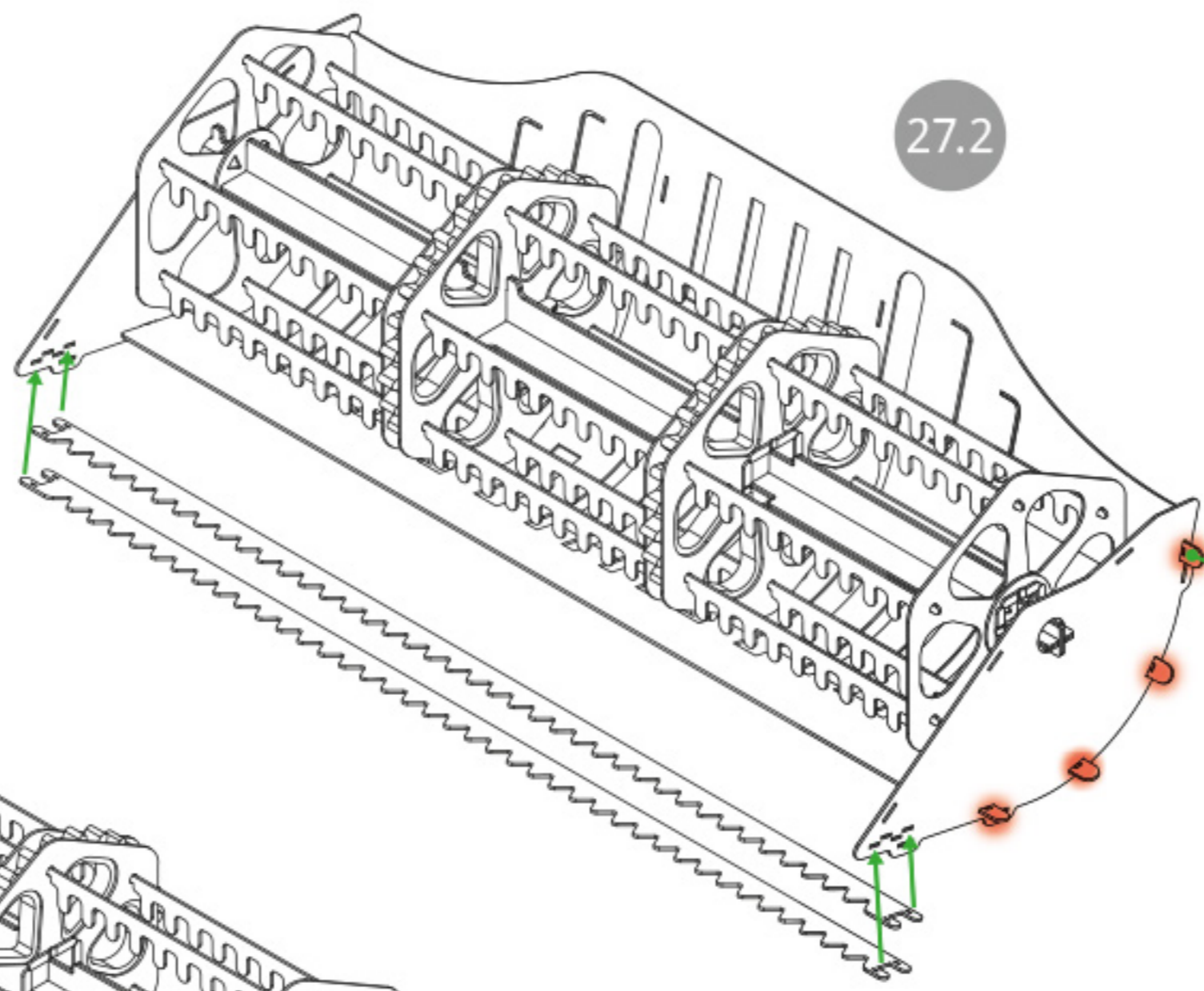
#1



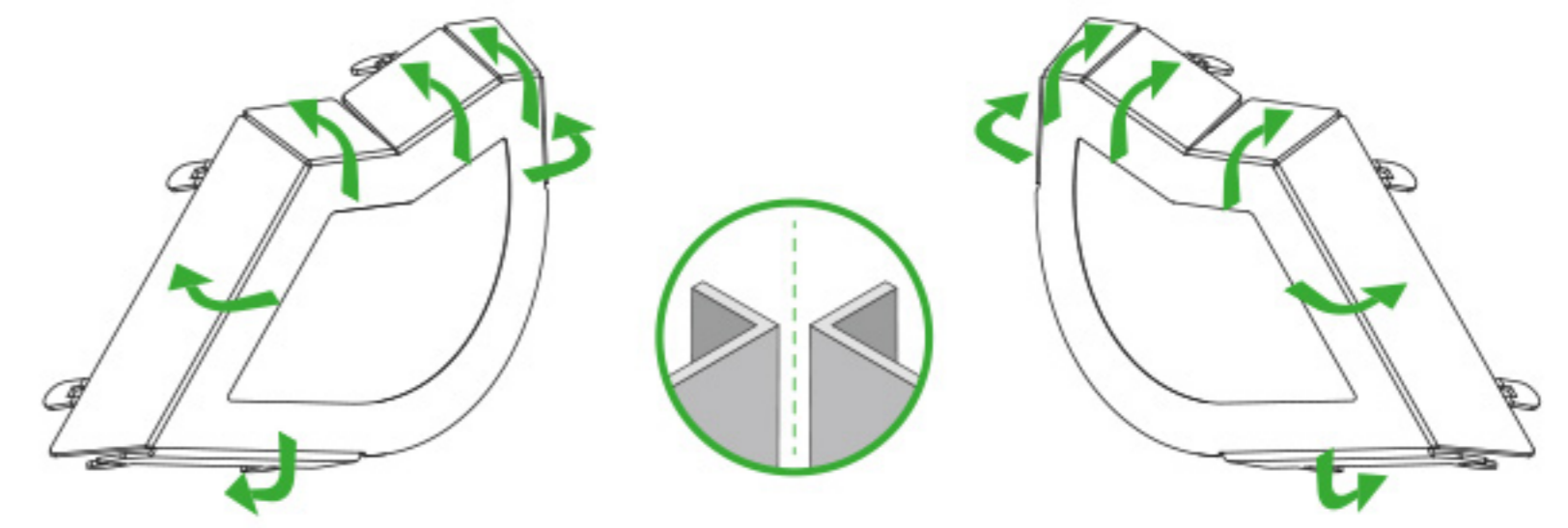
#2



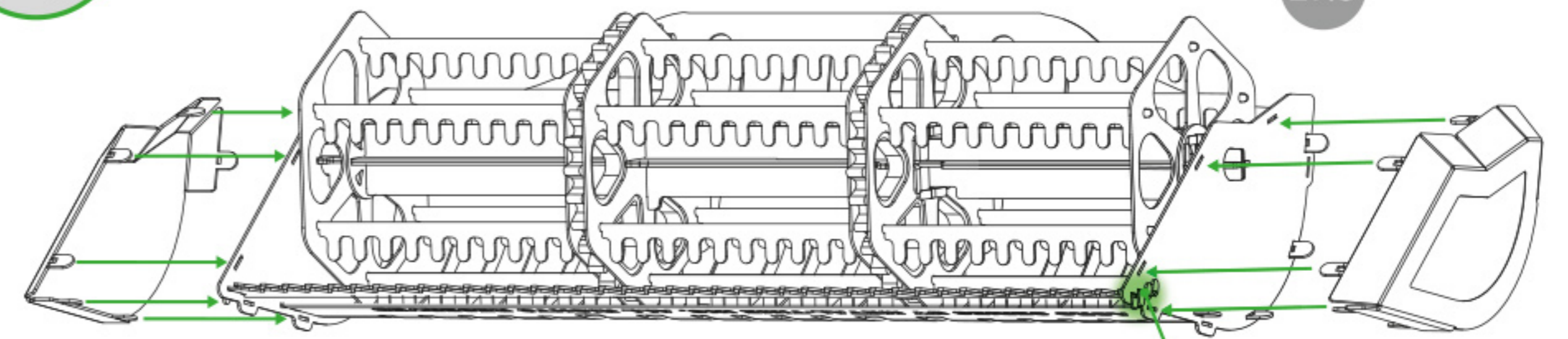
27.1



27.2



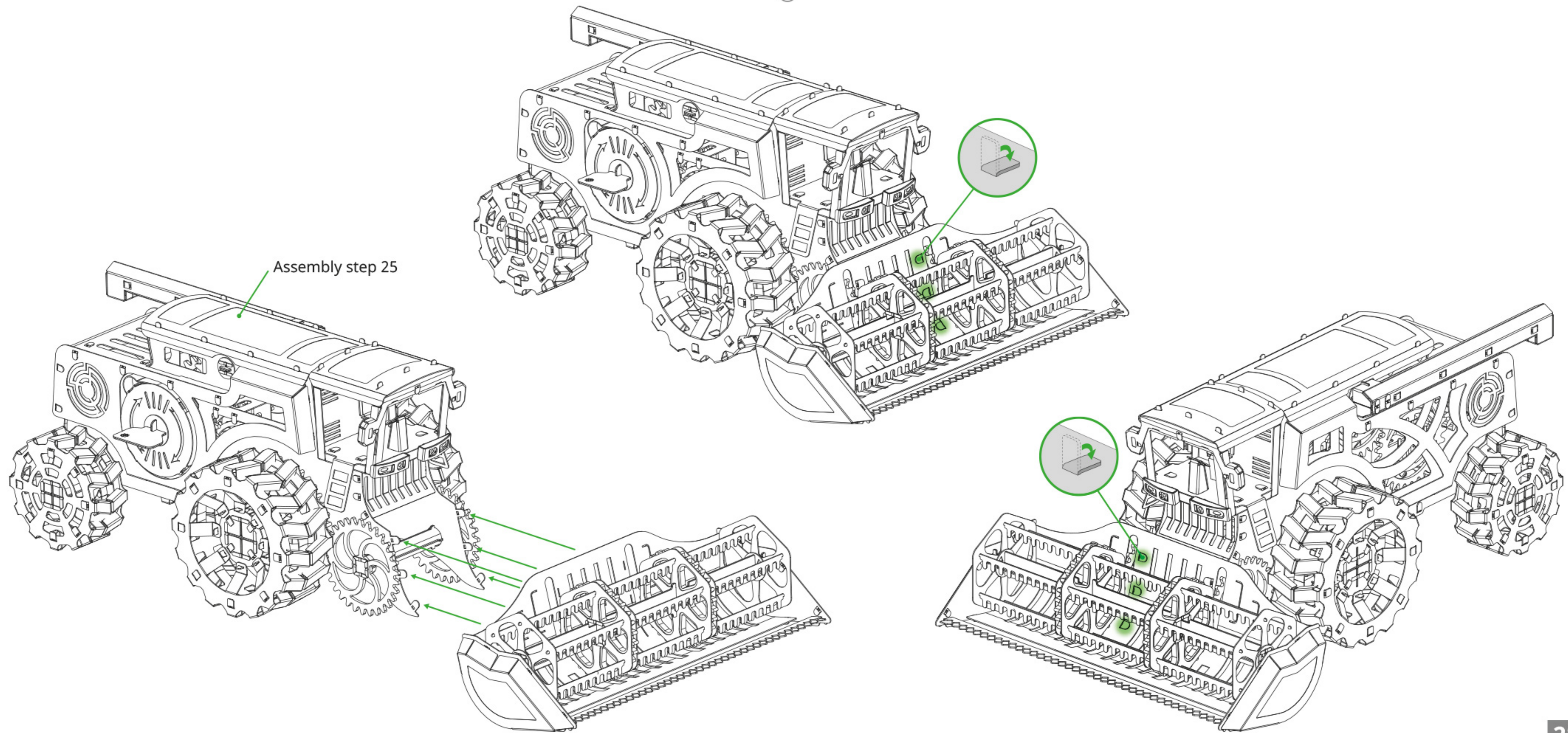
27.3



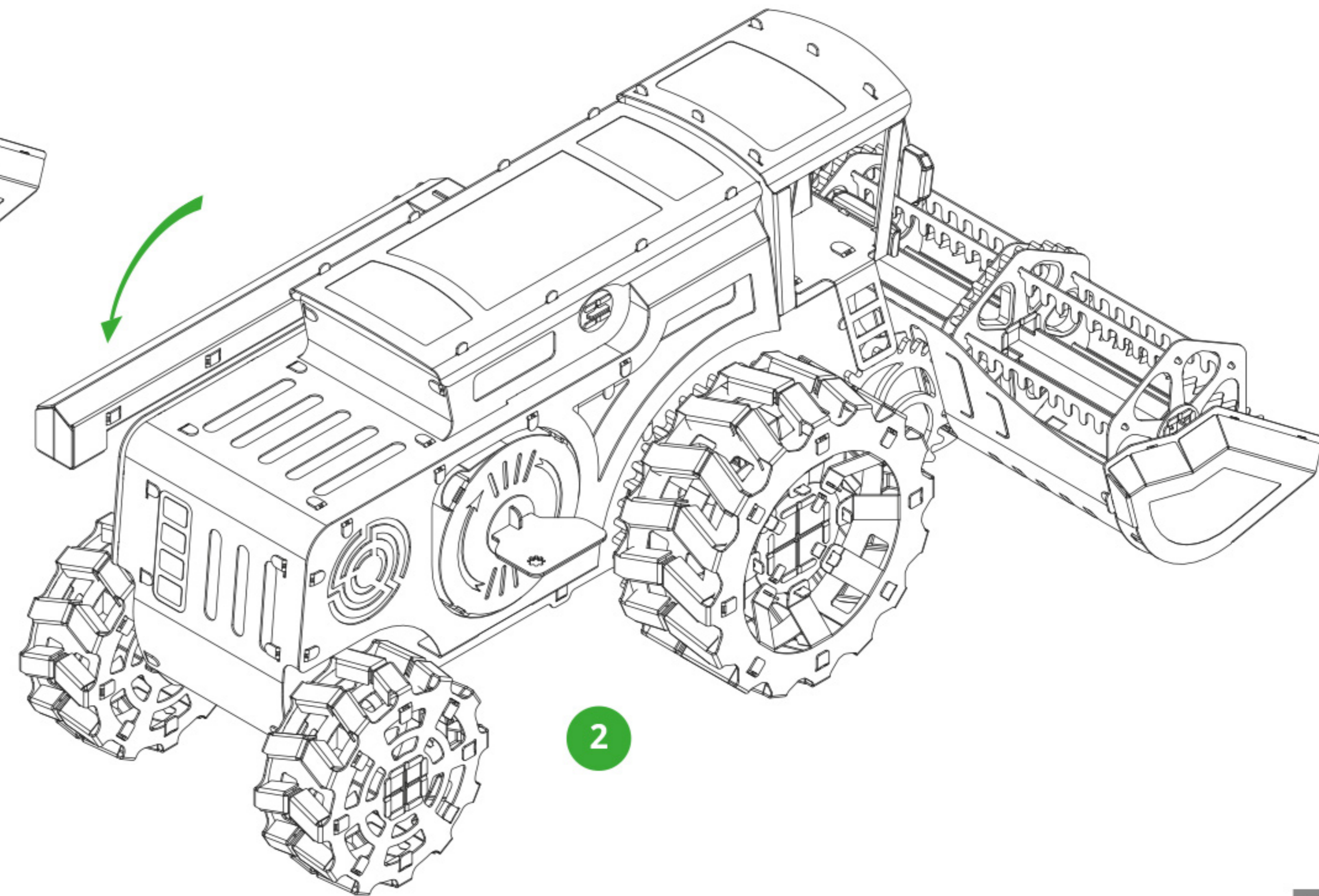
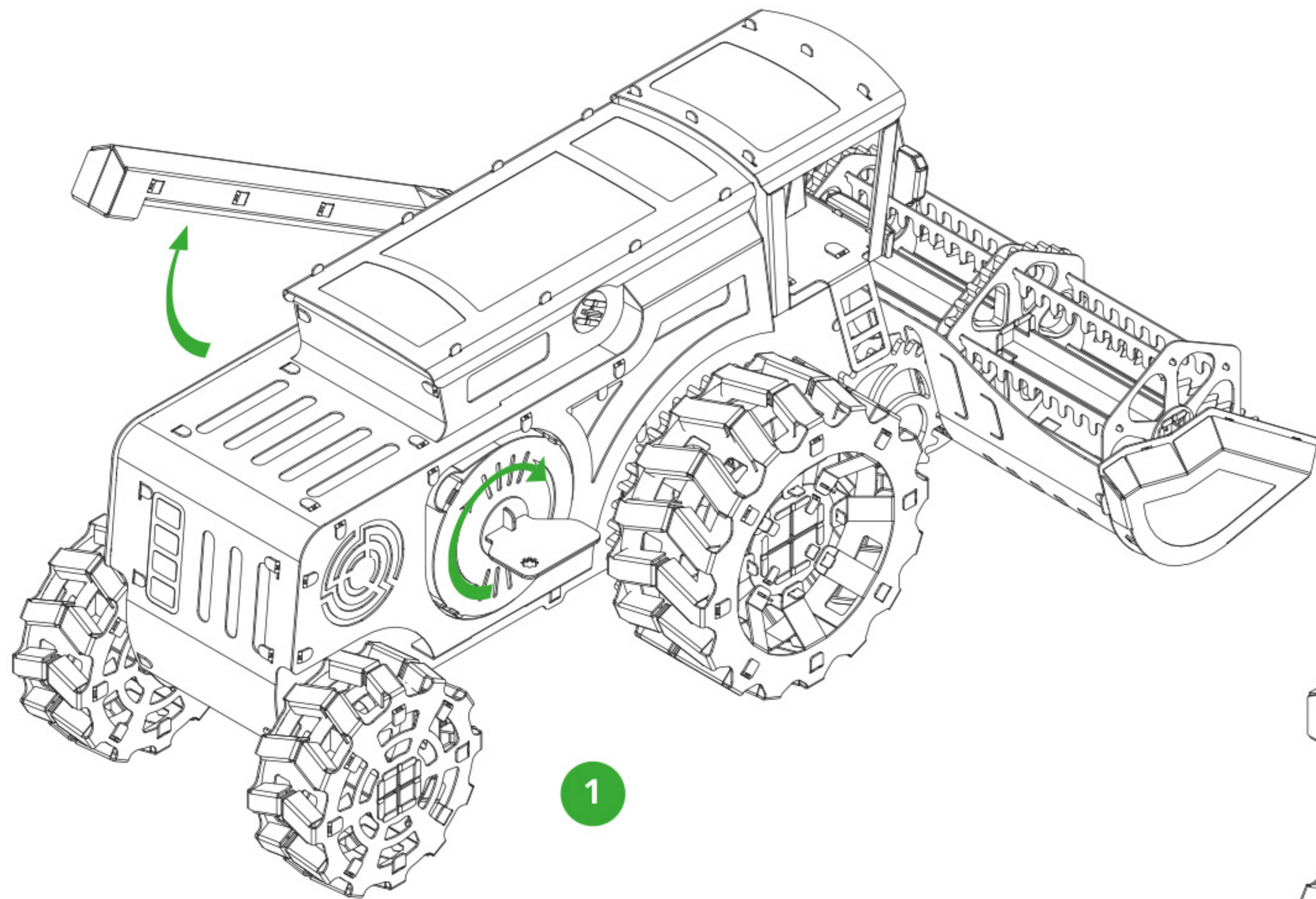
27.4

ASCO SERIES BY METAL-TIME INC. ALL RIGHTS RESERVED







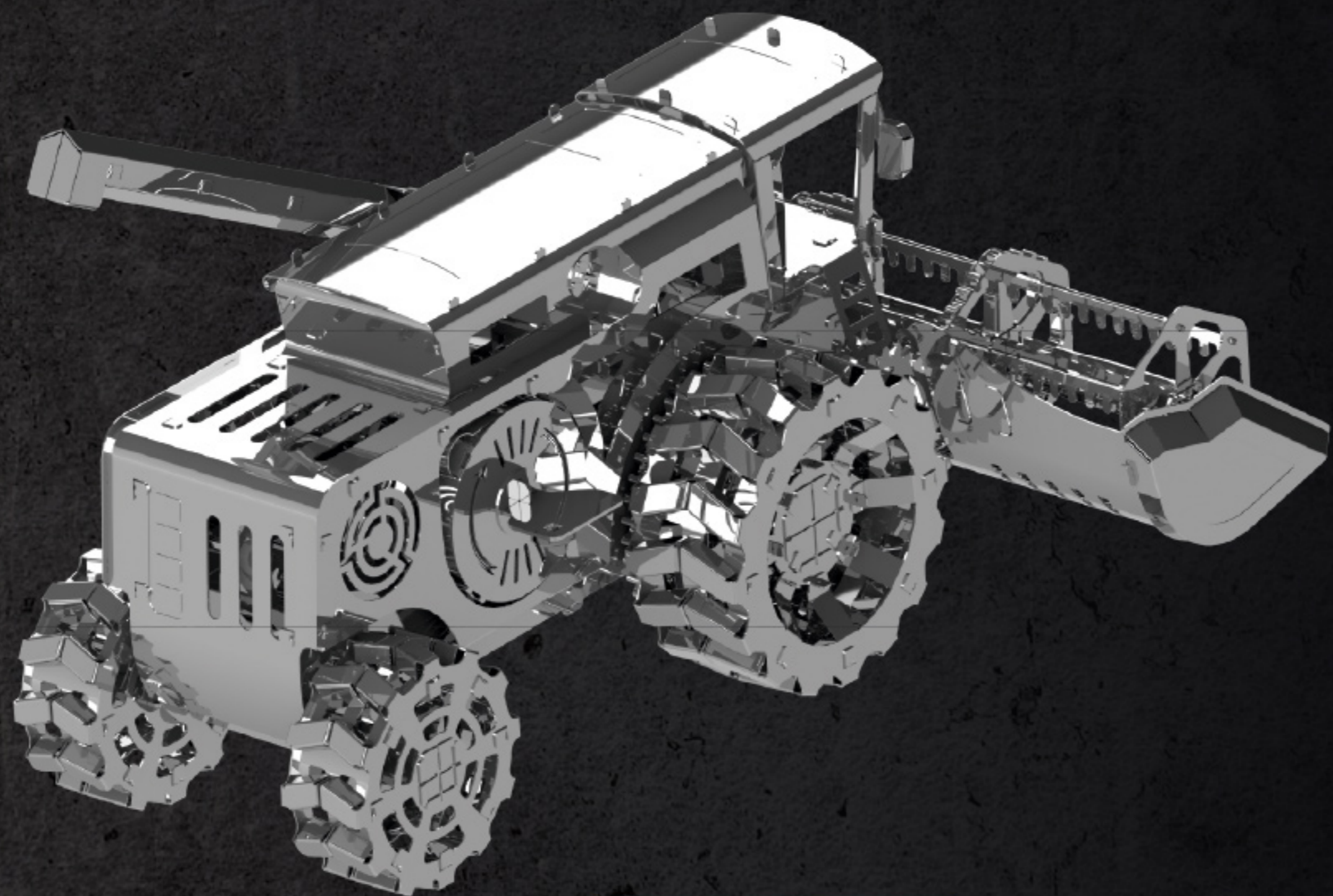


1. To prepare the harvester, raise the unloading auger, turn the mechanism clockwise with the key.
2. To start the harvester lower the unloading auger.





In 1826 in Scotland, the inventor Reverend Patrick Bell designed a reaper machine, which used the scissors principle of plant cutting; a principle that is still used today. The Bell machine was pushed by horses. A few Bell machines were available in the United States. In 1835, in the United States, Hiram Moore built and patented the first combine harvester, which was capable of reaping, threshing and winnowing cereal grain.



Designed in Ukraine

Made in China

Model name:

# VORACIOUS HARVESTER

Product number: SKU026

Product material: Stainless steel

Number of metal sheets: 5 pcs

Finish product size: L7.68" × W4.88" × H3.15" (L19,5m × W12,4cm × H8cm)

## ⚠ WARNING!

The product contains small and/or sharp parts. Not suitable for children under 3 years of age. Cut/remove the band that keeps the spring in place ONLY WITHIN the spring chamber/container. DO NOT cut the restraining band outside the assembled spring chamber, as the spring will unwind with force.

In order to avoid possible injury from sharp edges, please carefully discard the metal sheet after parts have been removed. This product is not a toy. Keep out of reach of children.

Conforms to CPSIA and CE standards. The product complies with the requirements of EN 71-1,2,3; ASTM F963, REACH, AS/NZS 8124, GB 6675



No expiration date

MODEL BUILDING KIT

@hobbadd.cn

霍布德



Collect the Best

**Includes:** steel sheets, gears, power spring, pliers, file, gloves, polishing cloth, user's guide.

ALL RIGHTS RESERVED  
© Metal-Time Inc., USA

www.metal-time.com  
info@metal-time.com