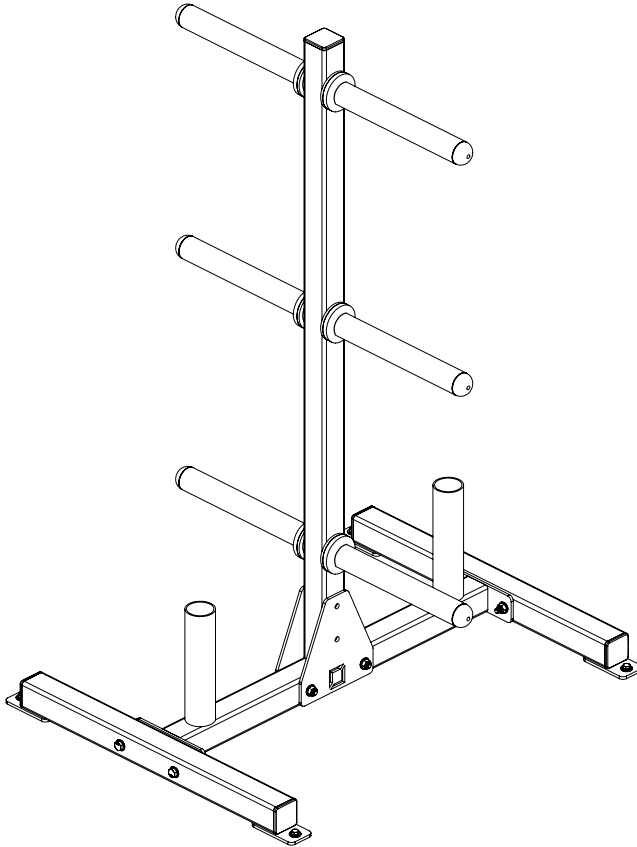


# BLK BOX

## WEIGHTS TREE

21-0215-0A



### PRODUCT SPECIFICATION

#### OWNERS MANUAL & QUICK START GUIDE

NOTE : PLEASE READ ALL THE INSTRUCTIONS CAREFULLY BEFORE ASSEMBLING THIS PRODUCT.

PRODUCT WEIGHT	-	36kg
MAX LOAD	-	500kg
DIMENSIONS	-	982mm x 1466mm x 800mm
SAFE WORKING ZONE	-	1082mm x 2700mm x 2400mm

# WARNING

SERIOUS OR FATAL INJURIES MAY OCCUR FROM INCORRECTLY ASSEMBLED EQUIPMENT. ALWAYS ENSURE BOLTS ARE TIGHTENED CORRECTLY AND ALL PARTS ARE LEVEL AND PLUMB. TO FURTHER REDUCE RISK OF INJURIES OR DEATH PLEASE USE OUR SUGGESTED TOOLS AND PERSONAL PROTECTIVE EQUIPMENT (PPE). WE SUGGEST THAT A MINIMUM OF THREE PEOPLE ARE INVOLVED IN THE ASSEMBLY OF THIS PRODUCT. EACH PERSON SHOULD BE EQUIPPED WITH SAFETY GLASSES, STEEL TOE CAP BOOTS AND EAR PLUGS.

THIS SYMBOL IS AN INDICATION OF THE RECOMMENDED TORQUE EACH BOLT SHOULD BE TIGHTENED TO. THIS VALUE WILL BE DEPENDENT ON THE BOLT TYPE. PLEASE HAND TIGHTEN ALL BOLTS UNTIL YOU SEE THIS SYMBOL.



## TOOLS REQUIRED



HAMMER 17MM SPANNER X2 VACUUM

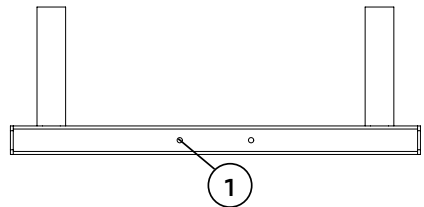


HAMMER DRILL

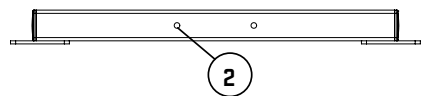


10MM MASONRY DRILL BIT

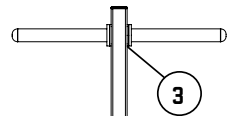
## PARTS & ATTACHMENTS



1



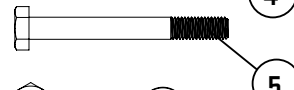
2



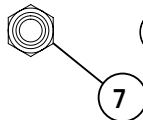
3



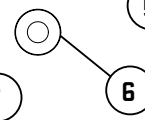
4



5



6



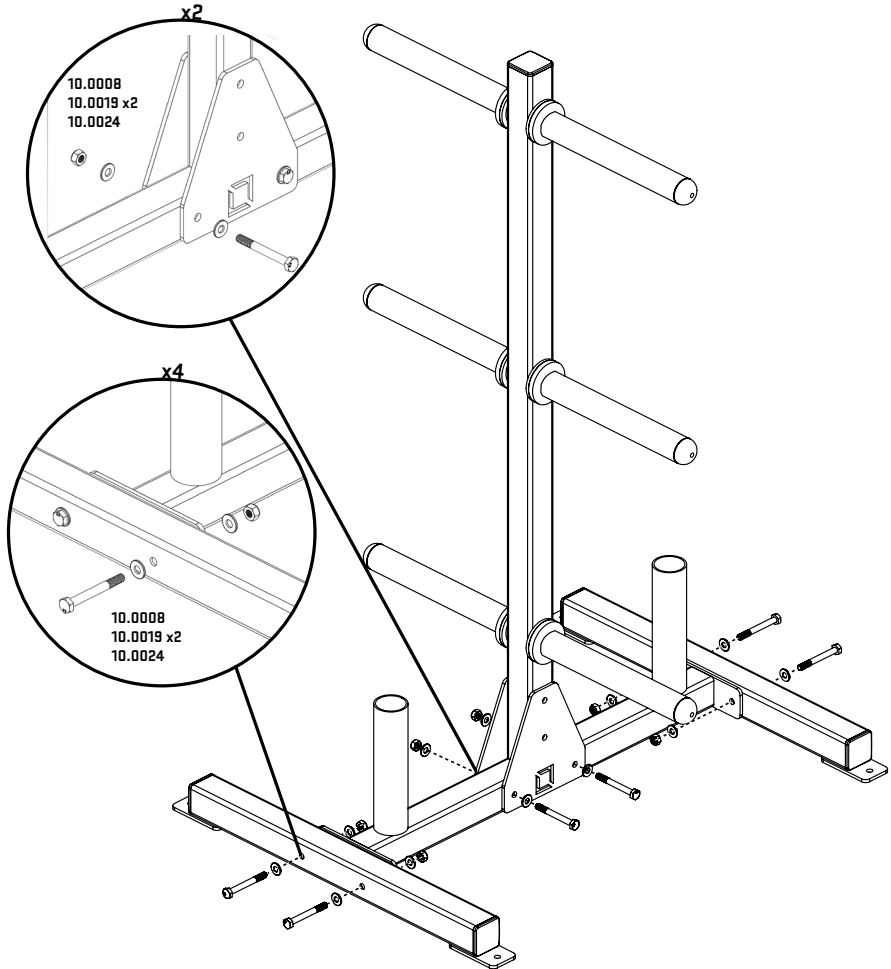
7

No.	Name	SKU	QTY
1	WEIGHT TREE CM	21-0254-0A	1
2	WEIGHT TREE SUPPORT	21-0252-0A	2
3	WEIGHT TREE UPRIGHT	21-0253-0A	1
4	M10X80 SLEEVE ANCHOR	10-0031	4
5	M10X90 BOLT	10-0008	6
6	M10 FLAT WASHER	10-0019	16
7	M10 NYLOCK NUT	10-0024	6

# ASSEMBLY

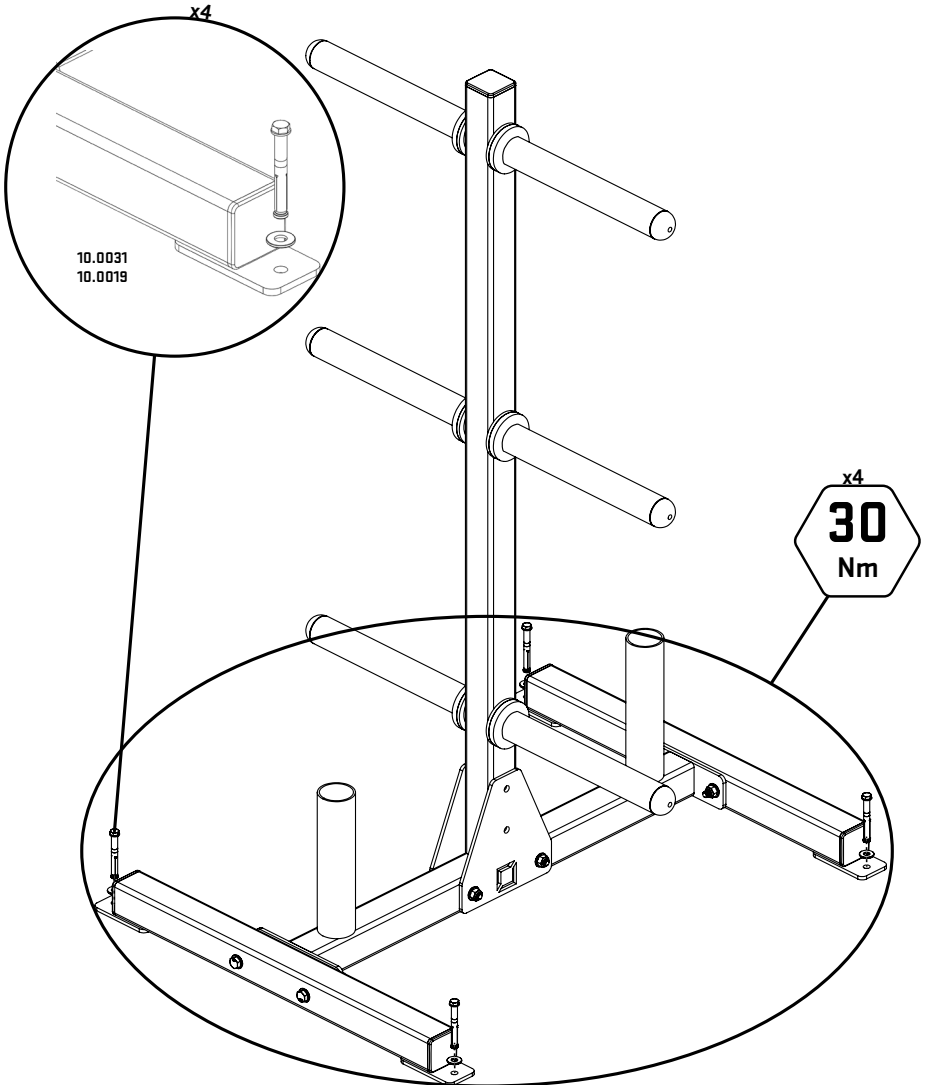
1

BOLT 1 QTY WEIGHT TREE CM (21-0254-0A) BETWEEN 2QTY WEIGHT TREE SUPPORTS (21-0252-0A) AND BOLT 1QTY WEIGHT TREE UPRIGHT(21-0253-0A) TO THE CENTRE OF THE WEIGHT TREE CM (21-0254-0A). ATTACH ALL BOLTS ASSEMBLES AS SHOWN. ENSURE ALL BOLTS ARE FACING INWARDS.



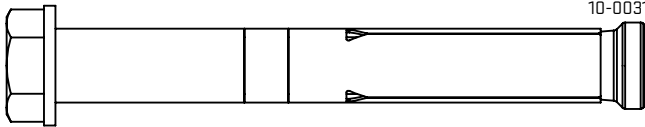
**2**

TIGHTEN ALL BOLTS WITHIN THE CIRCLE TO SPECIFIED TORQUE. DRILL AND SECURE HOLES ON WEIGHT TREE SUPPORTS (21-0252-0A) AS SHOWN IN GUIDE.

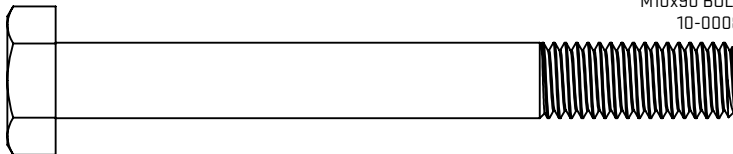


# 1:1 SCALE FASTENERS

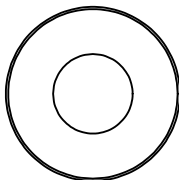
M10x80 SLEEVE ANCHOR  
10-0031



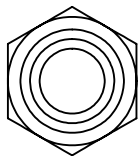
M10x90 BOLT  
10-0008



M10 FLAT WASHER  
10-0019



NYLOCK NUT  
10-0024



FOR TERMS AND CONDITIONS VISIT OUR WEBSITE AT  
[www.blkboxfitness.com/pages/terms-conditions](http://www.blkboxfitness.com/pages/terms-conditions)

GET IN TOUCH  
TEL: 028 9045 4123  
EMAIL: [info@blkboxfitness.com](mailto:info@blkboxfitness.com)

DISCOVER MORE AT:  
[www.blkboxfitness.com](http://www.blkboxfitness.com)

**THIS IS A BLANK PAGE**

**THIS IS A BLANK PAGE**