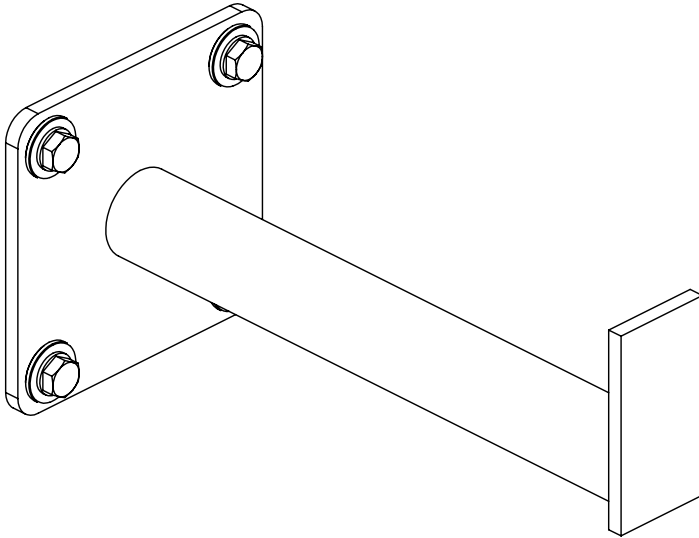


BLK BOX

ROPE STORAGE HOOK

21-0181



OWNERS MANUAL & QUICK START GUIDE

PRODUCT SPECIFICATION

NOTE : PLEASE READ ALL THE INSTRUCTIONS CAREFULLY BEFORE ASSEMBLING THIS PRODUCT.

PRODUCT WEIGHT	-	3kg
DIMENSIONS	-	264mm x 150mm x 150mm

WARNING

SERIOUS OR FATAL INJURIES MAY OCCUR FROM INCORRECTLY ASSEMBLED EQUIPMENT. ALWAYS ENSURE BOLTS ARE TIGHTENED CORRECTLY AND ALL PARTS ARE LEVEL AND PLUMB. TO FURTHER REDUCE RISK OF INJURIES OR DEATH PLEASE USE OUR SUGGESTED TOOLS AND PERSONAL PROTECTIVE EQUIPMENT (PPE). WE SUGGEST THAT A MINIMUM OF THREE PEOPLE ARE INVOLVED IN THE ASSEMBLY OF THIS PRODUCT. EACH PERSON SHOULD BE EQUIPPED WITH SAFETY GLASSES, STEEL TOE CAP BOOTS AND EAR PLUGS.

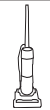
THIS SYMBOL IS AN INDICATION OF THE RECOMMENDED TORQUE EACH BOLT SHOULD BE TIGHTENED TO. THIS VALUE WILL BE DEPENDENT ON THE BOLT TYPE. PLEASE HAND TIGHTEN ALL BOLTS UNTIL YOU SEE THIS SYMBOL.



TOOLS REQUIRED



HAMMER DRILL



VACUUM



HAMMER



13MM SPANNER

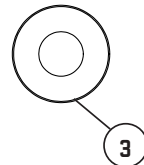
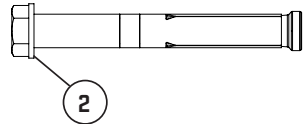


SPIRIT LEVEL



10MM MASONRY DRILL BIT

PARTS & ATTACHMENTS

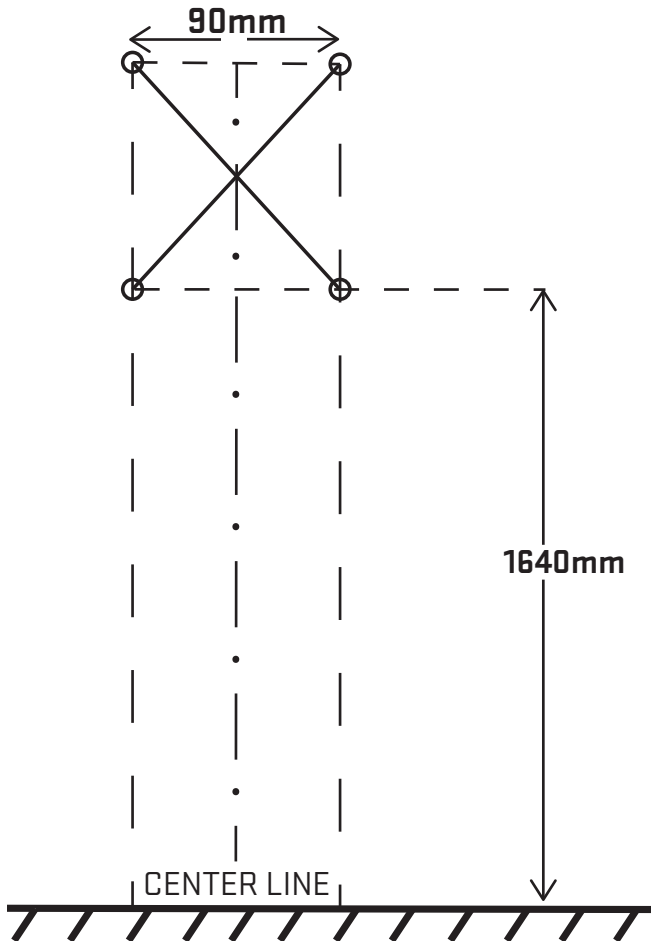


No.	Name	SKU	QTY
1	ROPE ANCHOR	21-0249	1
2	M10X80 SLEEVE ANCHOR	10-0031	4
3	M10 FLAT WASHER	10-0019	4

INSTALLATION

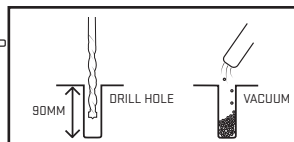
1

MEASURE, MARK AND DRILL HOLES USING GUIDES PROVIDED.



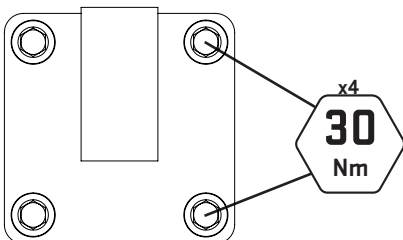
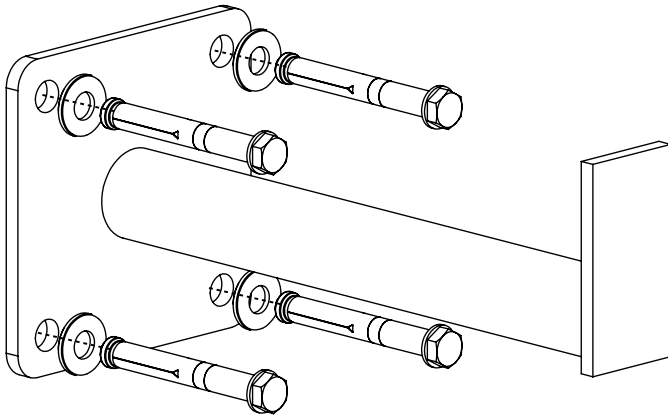
- DRILL 10MM HOLE INTO THE WALL, 90MM DEEP
- VACUUM OUT THE DUST.

SLEEVE ANCHOR BOLT FITTING

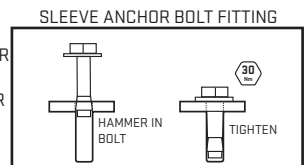


2

ATTACH ROPE STORAGE HOOK (21-0249) TO THE WALL USING SLEEVE ANCHORS (10-0031) AND WASHERS (10-0019) AS SHOWN. TIGHTEN ALL SLEEVE ANCHORS TO SPECIFIED TORQUE.

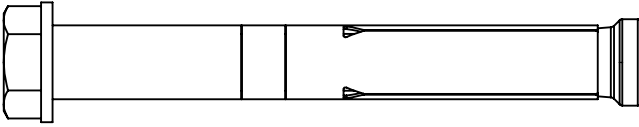


-HAMMER SLEEVE ANCHOR INTO THE HOLE.
-TIGHTEN SLEEVE ANCHOR TO SPECIFIED TORQUE USING 13MM SPANNER.

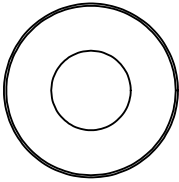


1:1 SCALE FASTENERS

M10x80 SLEEVE ANCHOR
10-0031



M10 FLAT WASHER
10-0019



FOR TERMS AND CONDITIONS VISIT OUR WEBSITE AT
www.blkboxfitness.com/pages/terms-conditions

GET IN TOUCH
TEL: 028 9045 4123
EMAIL: info@blkboxfitness.com

DISCOVER MORE AT:
www.blkboxfitness.com