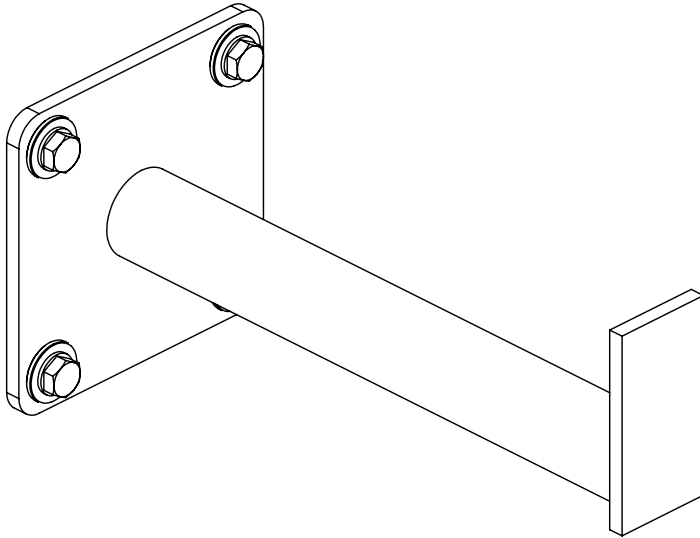


BLK BOX

ROPE STORAGE HOOK

21-0181



PRODUCT SPECIFICATION

OWNERS MANUAL & QUICK START GUIDE

PRODUCT WEIGHT	-	3kg
DIMENSIONS	-	264mm x 150mm x 150mm

NOTE : PLEASE READ ALL THE INSTRUCTIONS
CAREFULLY BEFORE ASSEMBLING THIS PRODUCT.

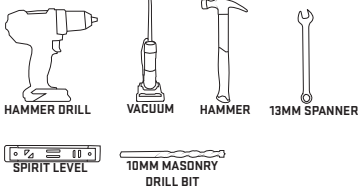
WARNING

SERIOUS OR FATAL INJURIES MAY OCCUR FROM INCORRECTLY ASSEMBLED EQUIPMENT. ALWAYS ENSURE BOLTS ARE TIGHTENED CORRECTLY AND ALL PARTS ARE LEVEL AND PLUMB. TO FURTHER REDUCE RISK OF INJURIES OR DEATH PLEASE USE OUR SUGGESTED TOOLS AND PERSONAL PROTECTIVE EQUIPMENT (PPE). WE SUGGEST THAT A MINIMUM OF THREE PEOPLE ARE INVOLVED IN THE ASSEMBLY OF THIS PRODUCT. EACH PERSON SHOULD BE EQUIPPED WITH SAFETY GLASSES, STEEL TOE CAP BOOTS AND EAR PLUGS.

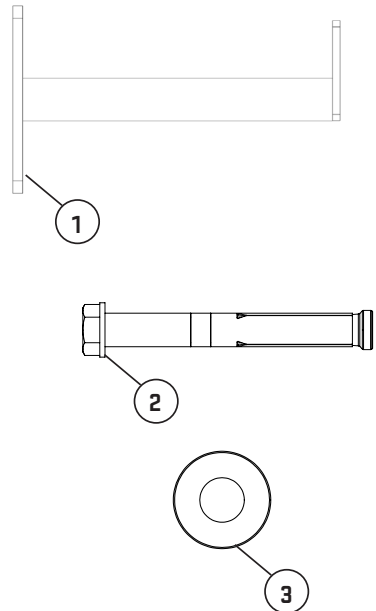
THIS SYMBOL IS AN INDICATION OF THE RECOMMENDED TORQUE EACH BOLT SHOULD BE TIGHTENED TO. THIS VALUE WILL BE DEPENDENT ON THE BOLT TYPE. PLEASE HAND TIGHTEN ALL BOLTS UNTIL YOU SEE THIS SYMBOL.



TOOLS REQUIRED



PARTS & ATTACHMENTS

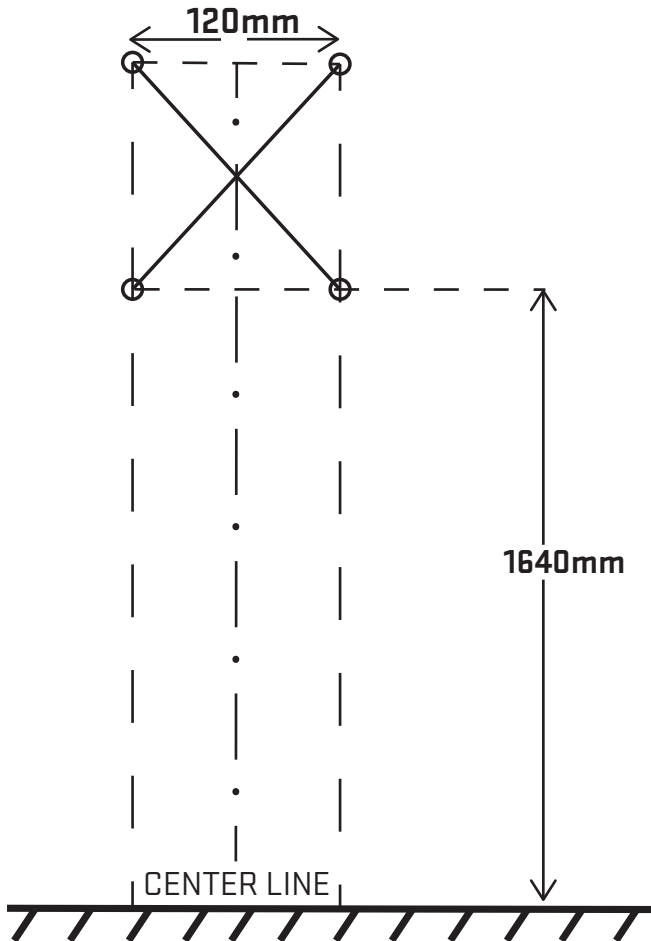


No.	Name	SKU	QTY
1	ROPE ANCHOR	21-0249	1
2	M10X80 SLEEVE ANCHOR	10-0031	4
3	M10 FLAT WASHER	10-0016	4

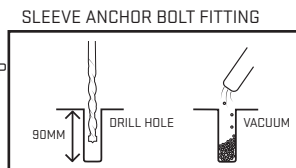
INSTALLATION

1

MEASURE, MARK AND DRILL HOLES USING GUIDES PROVIDED.

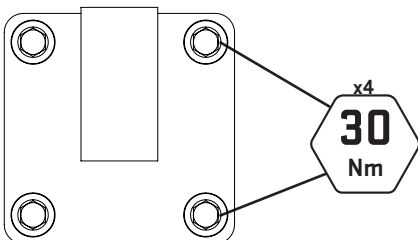
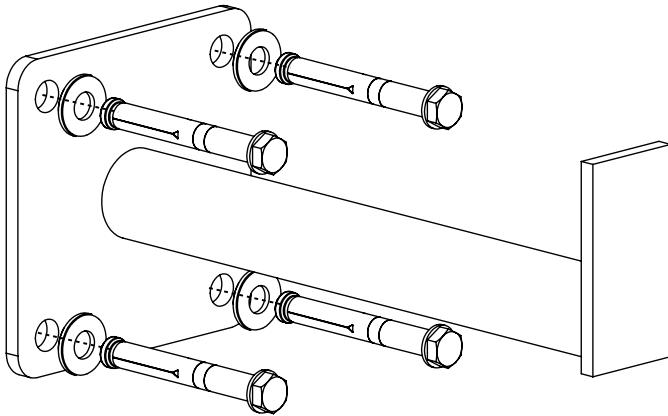


- DRILL 10MM HOLE INTO THE WALL, 90MM DEEP
- VACUUM OUT THE DUST.

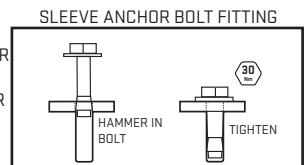


2

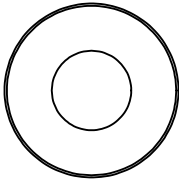
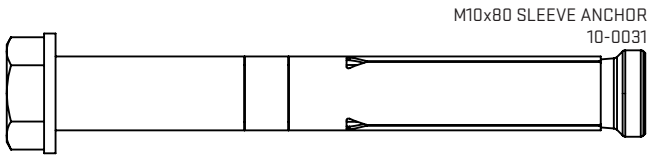
ATTACH ROPE STORAGE HOOK TO THE WALL USING BOLTS AS SHOWN. TIGHTEN ALL BOLTS TO SPECIFIED TORQUE.



- HAMMER SLEEVE ANCHOR INTO THE HOLE.
- TIGHTEN SLEEVE ANCHOR TO SPECIFIED TORQUE USING 13MM SPANNER.



1:1 SCALE FASTENERS



FOR TERMS AND CONDITIONS VISIT OUR WEBSITE AT
www.blkboxfitness.com/pages/terms-conditions

GET IN TOUCH
TEL: 028 9045 4123
EMAIL: info@blkboxfitness.com

DISCOVER MORE AT:
www.blkboxfitness.com