

TRUFACIAL

Instruction Manual




Terms and Conditions of Use

Trufacial™ is a U.S. Registered trademark. This product and its use are covered by a U.S. patent. Go to www.trufacial.com for trademark and patent information. These intellectual property rights (IPR's) remain the exclusive property of Skin Aesthetics and/or its licensors.

Contact Information

Manufactured for & distributed by Skin Aesthetics.

 Craig Technologies
103 Davis Drive
Seaford, DE 19973

For inquiries:

(866) 920-2878
customerservice@trufacial.com
www.trufacial.com

Skin Aesthetics, Trufacial™
145 East Swedesford Road #1035
Wayne, PA 19087

Skin Aesthetic Trufacial™ Handheld Skin Rejuvenation Device

• Introduction	2
• Safety Considerations	4
• Precautions	5
• Trufacial™ Components	6
• Reordering Components	8
• Modes	9
• Product Steps	
• Step 1: Microdermabrasion	10
• Step 2: Massage	18
• Step 3: Microneedling Dermal Roller	25
• Step 4: Cleaning	33
• Step 5: Charging	38
• Troubleshooting	40

Introduction

Congratulations

on your purchase of the Skin Aesthetics Trufacial™ Handheld Skin Rejuvenation Device!

Trufacial™ is a professional grade home device that will maintain healthy skin all year round.

Trufacial™ delivers professional grade results that will leave your skin feeling healthier and looking amazing!

When science and beauty collide, innovation is born.

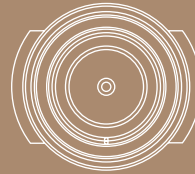
Trufacial™ is compact, easy-to-use, and provides excellent, hassle-free results, anytime, anywhere.

**SCAN QR CODE
FOR DIGITAL
INSTRUCTIONS**



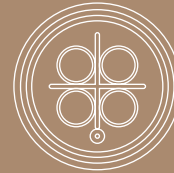
Microdermabrasion Diamond Tip

Exfoliates and
removes dead skin



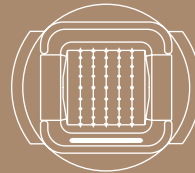
Massage Tip

Stimulates blood
flow while massaging
serums into the skin



Microneedling Dermal Roller Tip

Exfoliates skin and
opens pores for
enhanced absorption
and deep penetration
of nourishing serums



The 3-step Trufacial™ tips and serums will:

- Visibly plump fine lines and reduce the appearance of wrinkles by moisturizing the skin
- Restore moisture for greater elasticity
- Provide antioxidant activity for smoother texture and more even skin tone
- Help unclog pores to give your skin the appearance you desire
- Improve acne scarring with the Skin Brightening & Acne Serum
- Help skin look more luminous
- Help revitalize and renew skin cells

Trufacial™ is intended to be used in the comfort of a home setting by adult users (18 years and older) who have read and understood the following informational guide.

Safety Considerations



Warnings:

- Do not use if product shows visible damage.
- Do not use if package is damaged or intentionally opened before use.
- Sunburn Alert: This product contains an alpha hydroxy acid (AHA) that may increase your skin's sensitivity to the sun and particularly the possibility of sunburn. Use a sunscreen, wear protective clothing, and limit sun exposure while using this product.
- Trufacial™ is not intended to be used on infants or children.
- Do not use within eye and lip regions.
- Microneedling tip must be sterilized with cleaning solution prior to each use.

Any serious incident that has occurred in relation to the device should be reported to the manufacturer.

Precautions

Trufacial™ is intended for external use on intact skin only, subject to the following precautions:

- Rosacea flare ups
- Cuts/abrasions
- New incisions (wait until skin is fully healed, ask your doctor)
- Scar tissue (6 months minor operation, 2 years major operation)
- Bruising/swelling
- Undiagnosed lumps and bumps
- Sunburn
- Heat rash

TruFacial™ Components

ID	Name	Material/Key Functioning Ingredients	Qty
A	Microdermabrasion Tip	Stainless Steel, PC/ABS Plastic, LSR Rubber	1
B	Massage Tip	Stainless Steel, PC/ABS Plastic, LSR Rubber	1
C	Microneedling Dermal Roller Tip	Stainless Steel, PC/ABS Plastic, LSR Rubber	1
D	Serum #1 Exfoliating Toner (For use with the Microdermabrasion Tip)	Lactic Acid (humectant, exfoliant), Malic Acid (exfoliant), Chamomile Extract (skin soothing), Beta-Glucan (probiotics), Niacinamide (brightening), Panthenol (skin conditioning agent, humectant), Aloe Vera (hydrator), Sodium Hyaluronate (plumping), Allantoin (skin protectant), Witch Hazel (anti-inflammatory)	1 Pod (20 mL)
E	Serum #2A Anti-Aging Serum (For use with the Massage Tip)	Retinol (skin conditioning agent, antioxidant), Retinyl Linoleate (skin conditioning agent, antioxidant), Glycerin (humectant), Sodium Hyaluronate (plumping), Peptides, (reduce signs of aging)	1 Pod (20 mL)

ID	Name	Material/Key Functioning Ingredients	Qty
F	Serum #2B Skin Brightening and Acne Serum (For use with the Massage Tip)	Ascorbyl Glucoside (skin brightening, anti-wrinkle agent, antioxidant), Hyaluronic Acid (plumping), Radian Skin™ (evens skin tone, brightening agent), Beta Glucan (probiotic), Alpha Arbutin (antioxidant, skin brightener), Lactic Acid (humectant, exfoliant), Mandelic Acid (exfoliant), Glycolic Acid (exfoliant), Chamomile Extract (skin soothing), Rosehip Extract (anti-inflammatory, skin brightening), Camelia Sinesis Leaf Extract (antioxidant, calming), Retinol and Peptides, (reduce signs of aging)	1 Pod (20 mL)
G	Serum #3 Hyaluronic Serum (For use with the Microneedle Dermal Roller Tip)	Sodium Hyaluronate (plumping), Hyaluronic Acid (plumping), Ascorbyl Glucoside (skin brightening, anti-wrinkling, antioxidant), Symcalmin® (anti-inflammatory), Allantoin (skin protectant), Niacinamide (brightening, antioxidant), Camelia Sinesis Leaf Extract (antioxidant, calming), Peptide blend (reduce signs of aging)	1 Pod (20 mL)
H	Waste Pod	PC/ABS Plastic, LSR Rubber	1 Pod
I	Cleaning Pod	PC/ABS Plastic, LSR Rubber	1 Pod
J	Cleaning Solution	Water, Ethanol, Cocoyl Arginine Amide, Niacinamide, Mandelic Acid, Malic Acid, Citrus Limon (Lemon) Peel Oil, Myristoyl Tetrapeptide-13	1
K	TruFacial™ Device		1
L	Charging Cord		1
M	Vacuum Tube		1

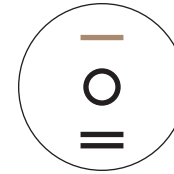
Reordering Components

The Microneedle Dermal Roller Tip (C) should be replaced after 6-8 uses. Replacement Microneedle Dermal Roller Tips will come with your serum orders. Discard used Microneedle Dermal Roller Tip once replaced.

The Cleaning Pod (I) is refillable. Refill the Cleaning Pod by placing the cleaning solution's dispenser nozzle in the coordinating hole found on top of the Cleaning Pod cap.

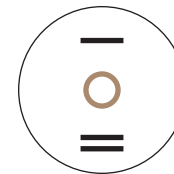
To reorder the Microneedle Dermal Roller Tip (C), Cleaning Solution (J) for the Cleaning Pod (I), or additional serums, please visit our website www.trufacial.com

Modes



MODE 1

Up switch (single line)
delivers serum



NEUTRAL

Neutral position
device is off



MODE 2

Down switch (double line)
activates port vacuum and
delivers serum during use

Step One

MICRODERMABRASION

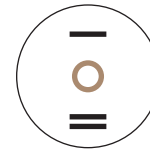
Microdermabrasion

Please charge the Trufacial device for 30 minutes prior to initial use until the blinking green light is solid green.

NOTE: Prior to use, wash face with a gentle cleanser.



1. Before inserting tips and pods, flip the switch up to **Mode 1** by holding the device over a sink to allow any residual cleaning solution to drain out

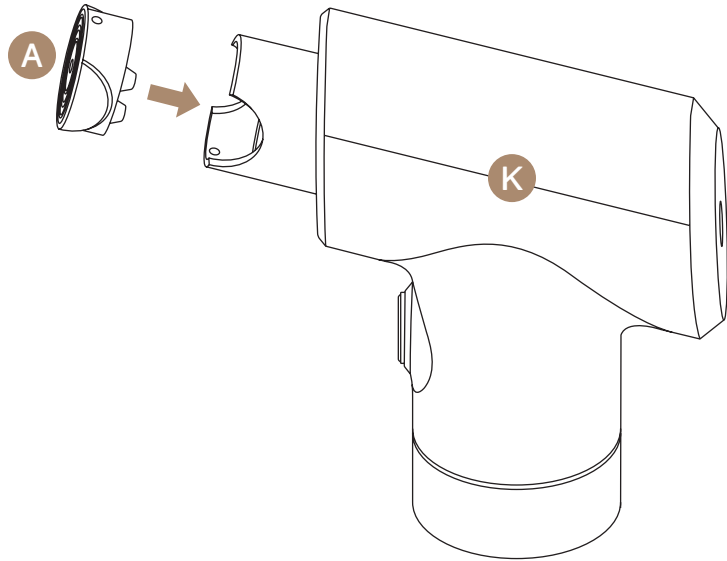


2. Once complete, return the switch to **Neutral** position to turn off.

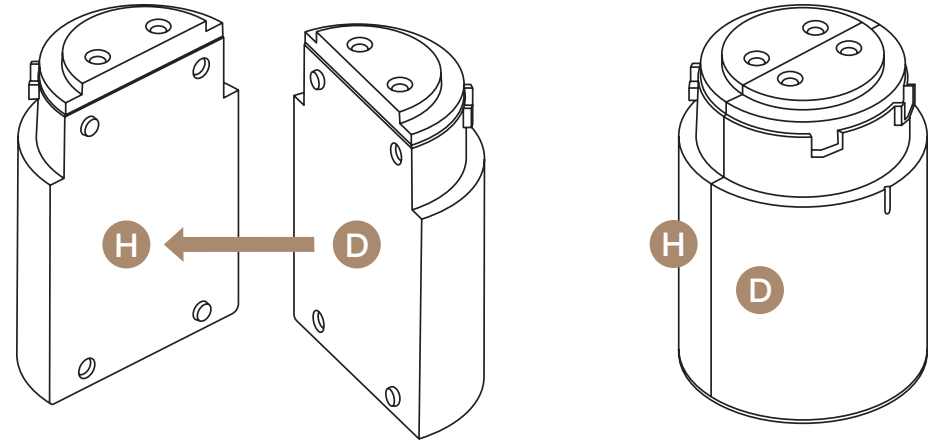
Microdermabrasion



3. Attach the Microdermabrasion Diamond Tip (A) to the head of the Device (K).

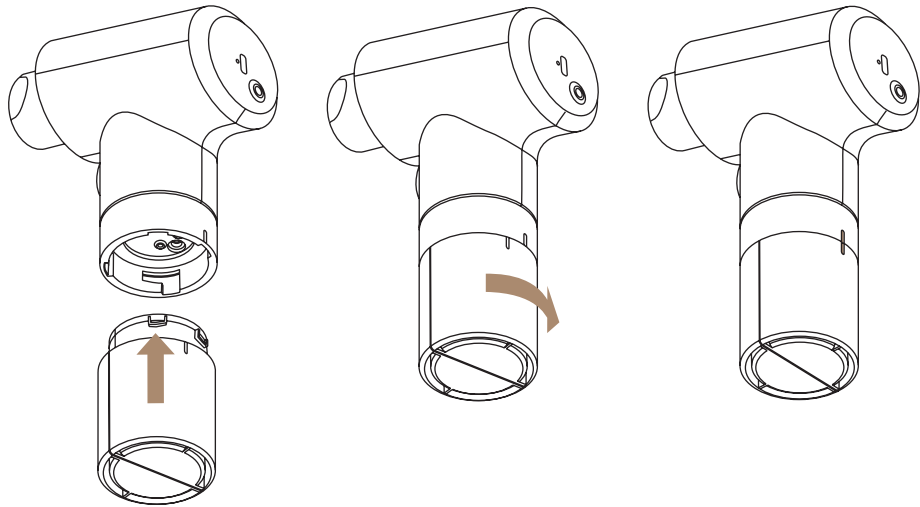


4. Pair Serum #1 (D) with the Waste Pod (H),
note that the Waste Pod does not have tubing in it.
5. Remove lid from Serum #1 (D).

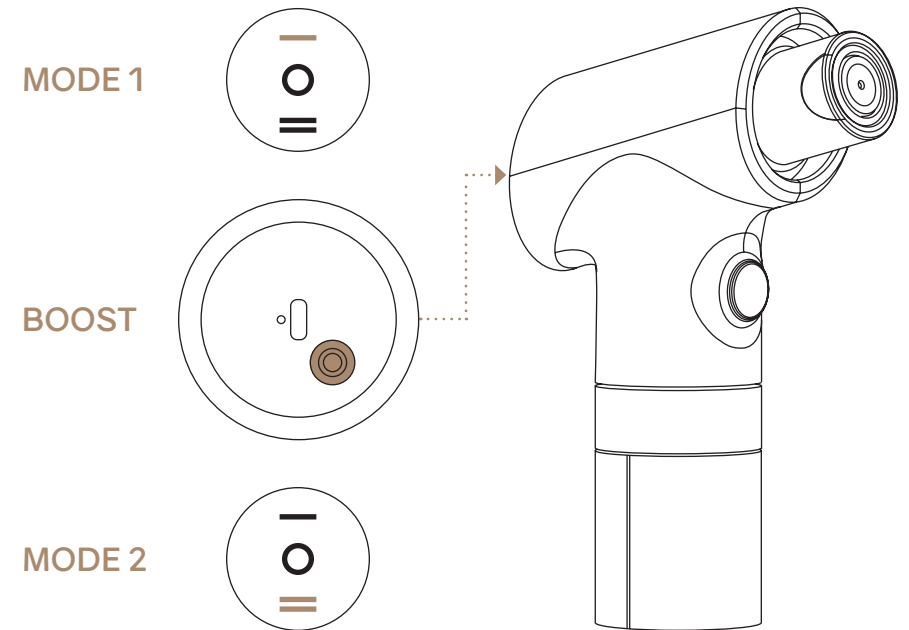


Microdermabrasion

6. Insert paired pods into the device. You will see a groove on the pods that will get inserted into the groove of the device.
7. Once in, rotate clockwise until the center lines of pod and device line up.

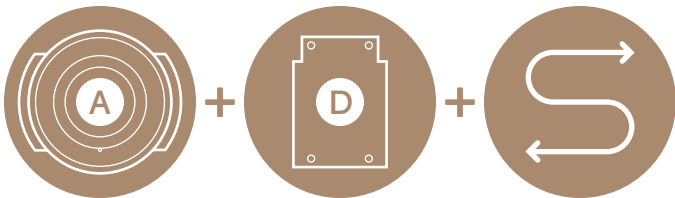
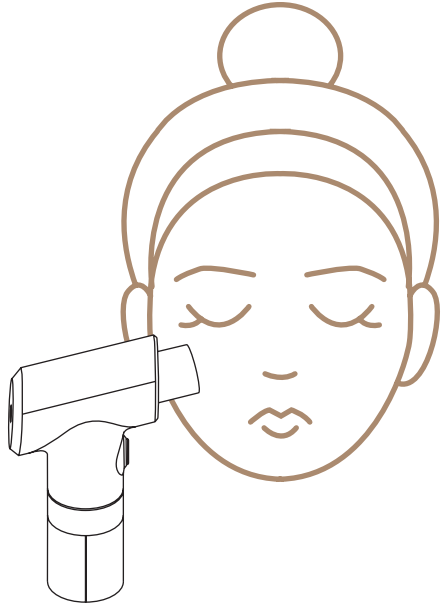


8. Flip the switch up to **Mode 1** and press the **Boost** button located on the back of the device for 1 to 2 seconds to prime the device until the serum appears at the tip. Then flip the switch down to **Mode 2**.



Microdermabrasion

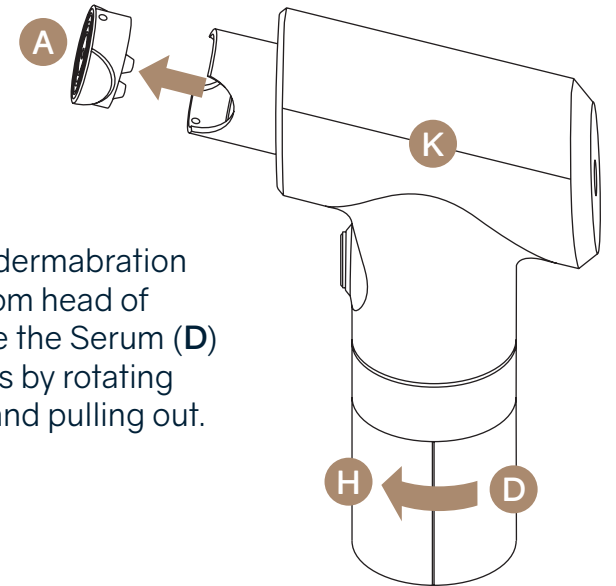
9. Using the Microdermabrasion Diamond Tip (**A**), gently glide across the entire skin of the face in an “**S**” shape or circular pattern. **Keep the tip of the device flush against your skin** as the vacuum that removes your dead skin is located at the center of the device. Use just enough pressure to the serum flows freely, while simultaneously allowing for the suction of excess serum.



10. Continue until the entire area has been treated having multiple passes on each area about 45 to 60 seconds. Any excess serum may be rubbed into the skin. Allow **60 seconds** for absorption of serum before moving to next steps.



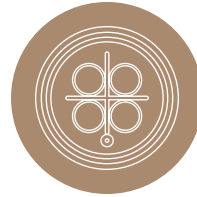
11. Remove the Microdermabrasion Diamond Tip (**A**) from head of Device (**K**). Remove the Serum (**D**) and Waste (**H**) pods by rotating counterclockwise and pulling out.



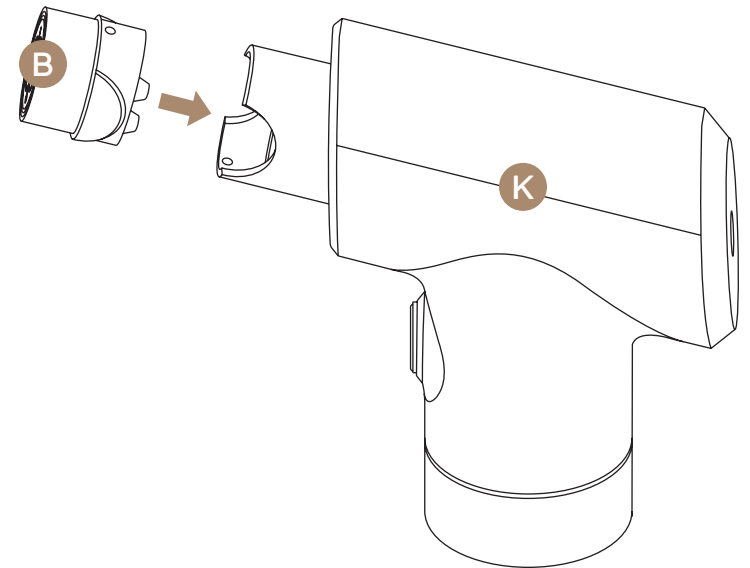
Step Two

MASSAGE

Massage

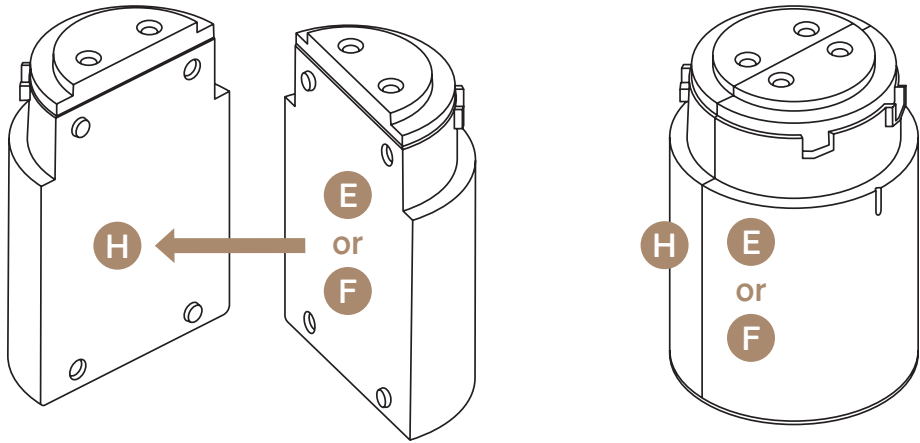


1. Attach the Massage Tip (**B**) to the head of the Device (**K**)

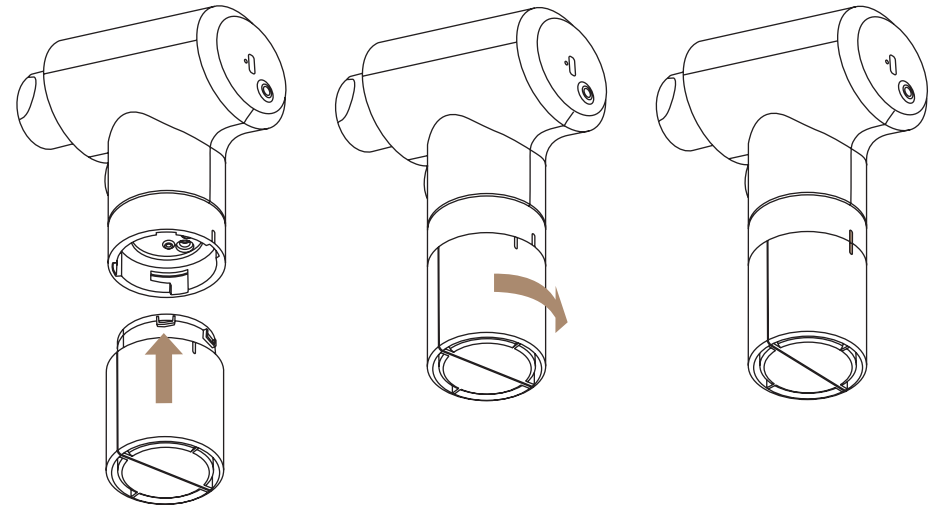


Massage

2. Pair either Serum #2A (**E**), the anti-aging serum or Serum #2B (**F**), the brightening and acne serum with the Waste Pod (**H**) that doesn't have a tube in it.

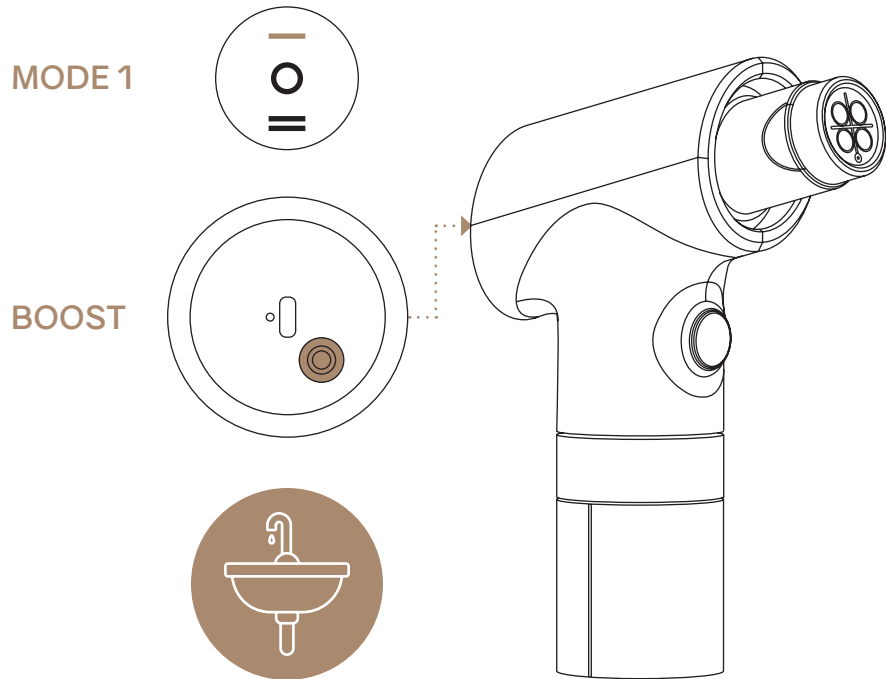


3. Insert paired pods into the base of the device as done in the previous step.

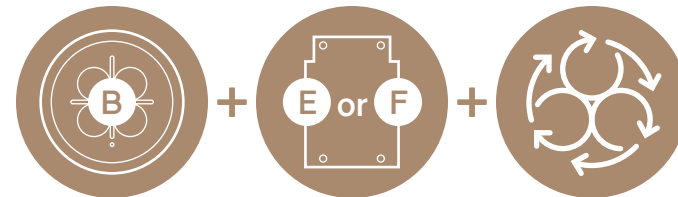
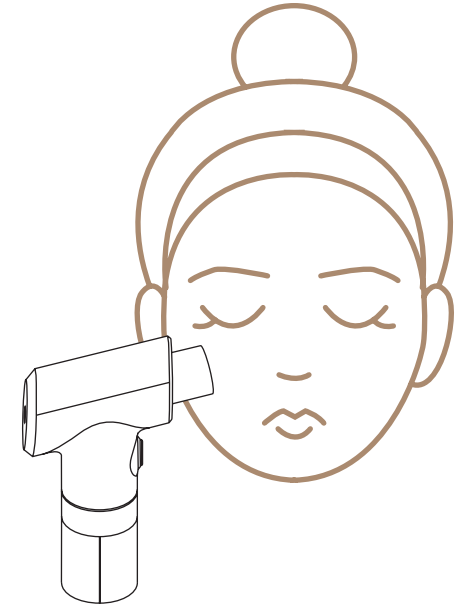


Massage

4. Flip the switch up to **Mode 1** and press the **Boost** button for 1 second to purge the residual serum from the prior step out over a sink.

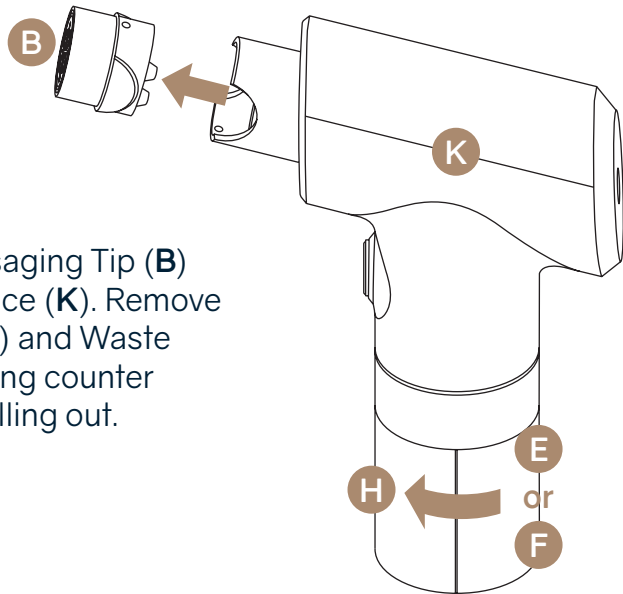
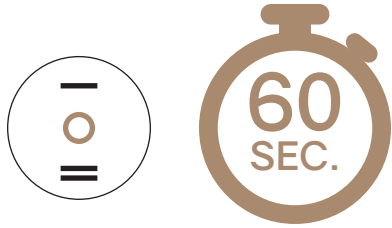


5. Once serum 2 is flowing, use the Massage Tip (**B**) to gently massage serum onto the skin using **small circular motions** maintaining a thin layer of serum.



Massage

6. Any excess serum can be massaged in while the switch is in **Neutral Mode**. Allow **60 seconds** for serum absorption before moving on to next steps.



7. Remove the Massaging Tip (**B**) from head of Device (**K**). Remove the Serum (**E** or **F**) and Waste (**H**) pods by rotating counter clockwise and pulling out.

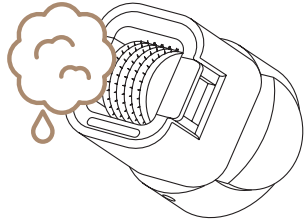
Step Three

MICRONEEDLING DERMAL ROLLER

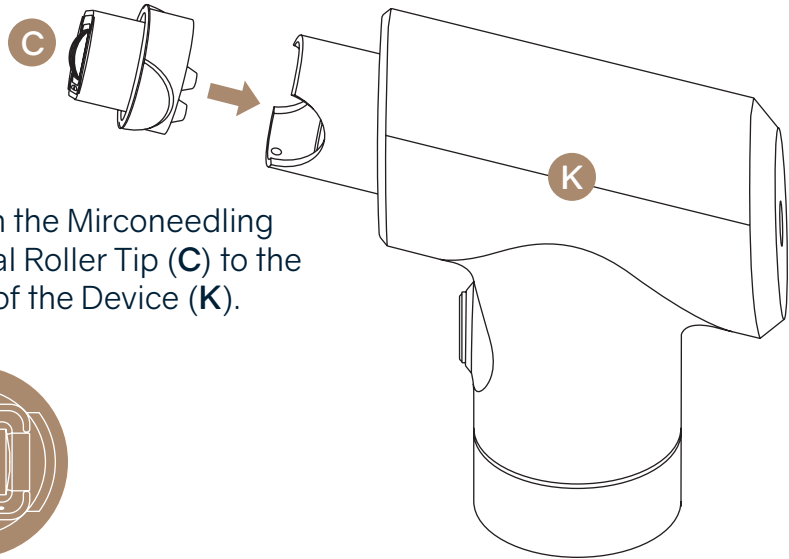
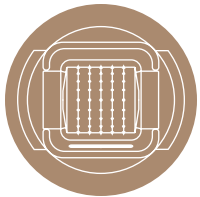
Microneedling Dermal Roller

1. Soak a cotton ball with cleaning solution and thoroughly clean Microneedling Dermal Roller Tip (C) prior to use.

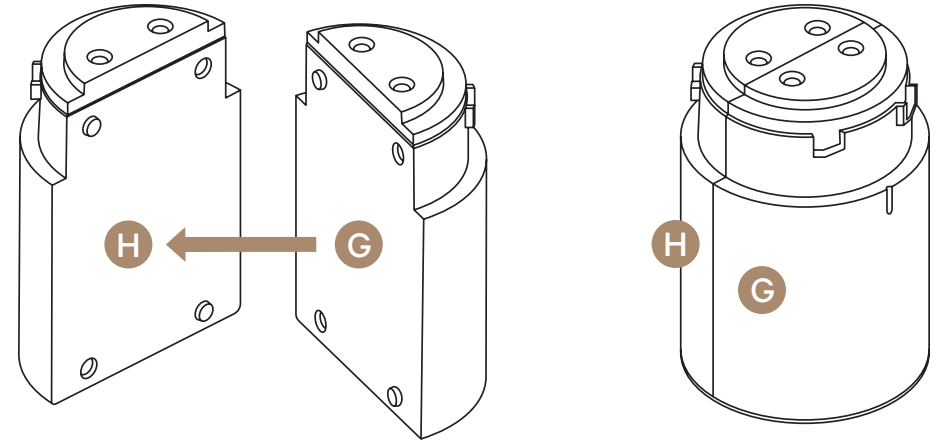
Note: Sterilization will not occur by dabbing the solution onto the roller. The definition of sterilize is to make something completely clean and free from bacteria. We hope the solution will help prevent bacteria from accumulating and help eliminate any existing bacteria



2. Attach the Microneedling Dermal Roller Tip (C) to the head of the Device (K).

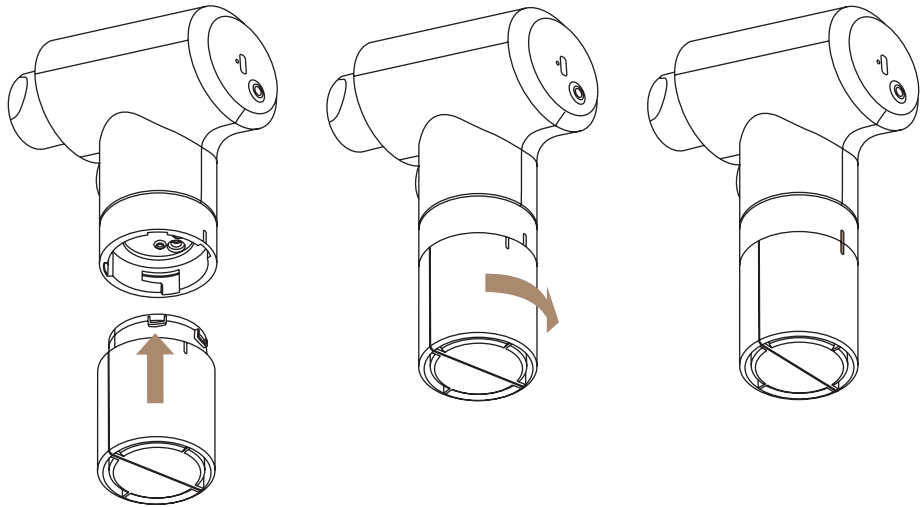


3. Pair Serum #3 (G) with the Waste Pod (H) that does not have tubing in it.

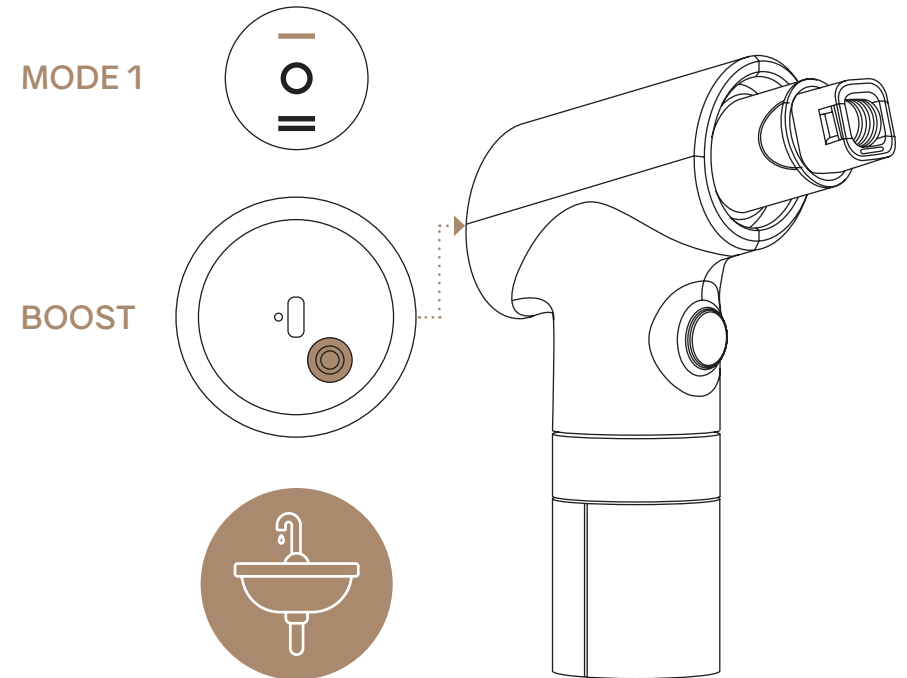


Microneedling Dermal Roller

4. Insert paired pods into the base of the device as done in the previous step.

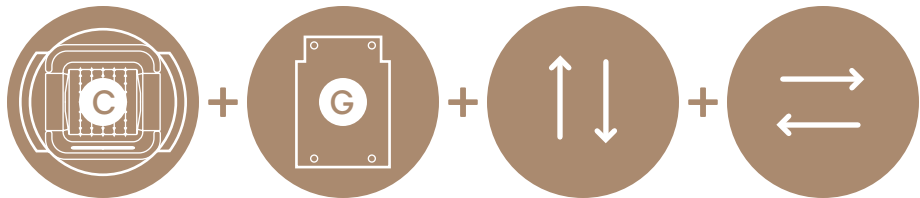
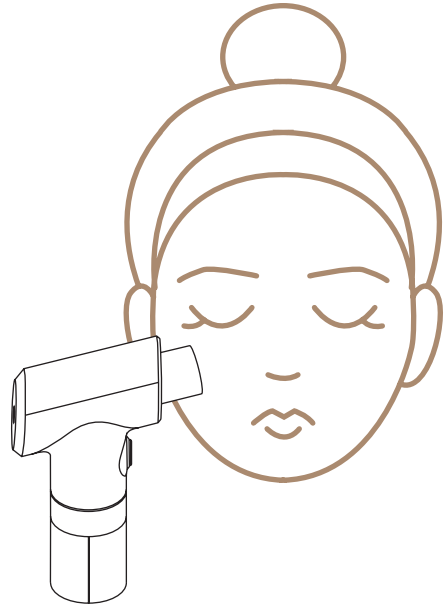


5. Flip the switch up to **Mode 1** and press the **Boost** button for 1 second to purge the residual serum from the prior step out over sink.

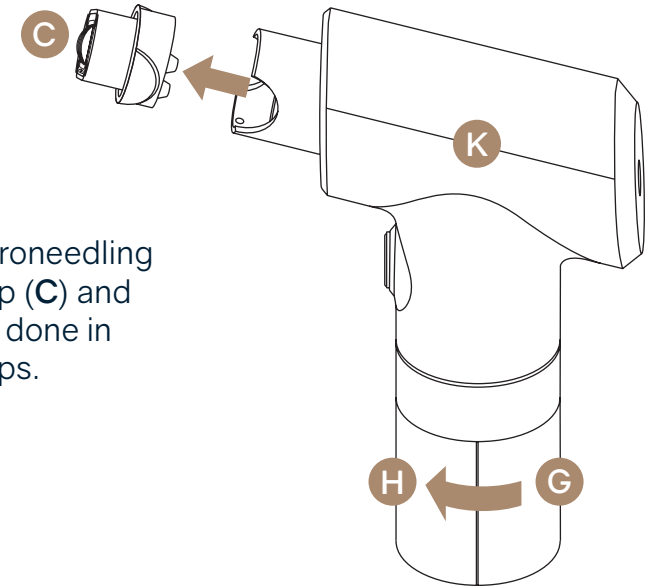


Microneedling Dermal Roller

6. Once Serum #3 (G) is flowing, gently roll the Microneedling Dermal Roller Tip (C) **vertically** over the skin until the entire area has been treated with 2 to 3 passes. Then, gently roll the Microneedling Dermal Roller Tip (C) **horizontally** over the skin.

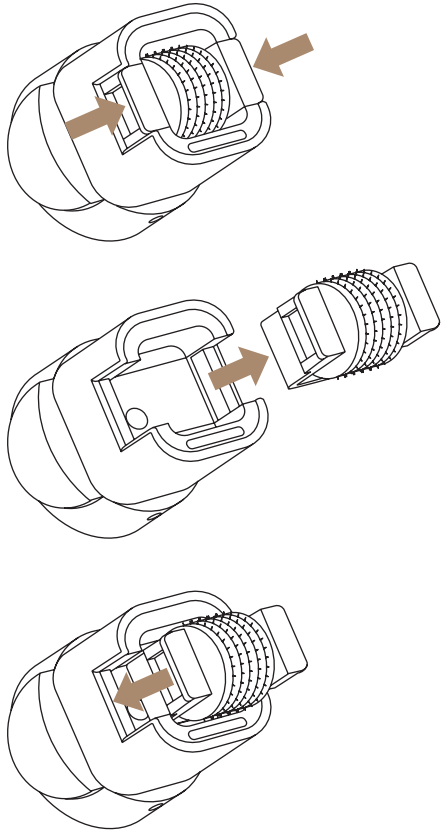


7. Once there is a thin layer of serum on the skin, flip the switch to **Neutral** position to turn the pump off. You can keep microneedling, massage in any excess serum.



8. Remove the Microneedling Dermal Roller Tip (C) and pods (G & H) as done in the previous steps.

Microneedling Dermal Roller

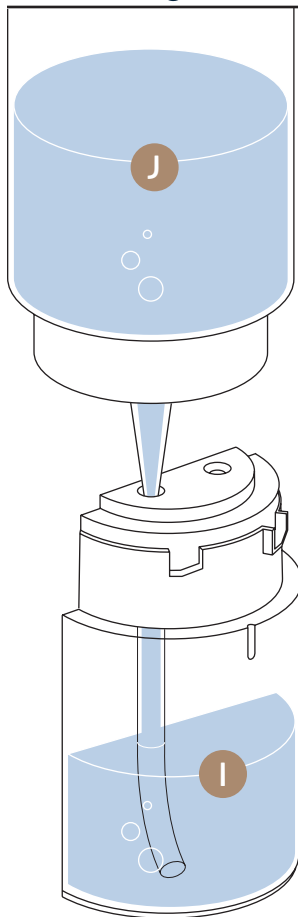


⚠ Rollers should be replaced after 8 uses.

9. Microneedling Dermal Rollers should be replaced after 8 uses. To replace the Microneedling Dermal Rollers, grip the two tabs on either side of the head and pull up, press a new microneedling roller into the head. Press until the tabs are flush with the unit.

Step Four
CLEANING

Cleaning



Note that the Cleaning Pod is an empty pod with tubing in it

1. Fill the cleaning pod by placing the Cleaning Solution (J) dispenser nozzle in the coordinating hole found. Fill the Cleaning Pod (I) until the solution reaches the shoulder of the pod.



Do not overfill.

Do not use on face.

Do not apply force into the holes of the waste pod.

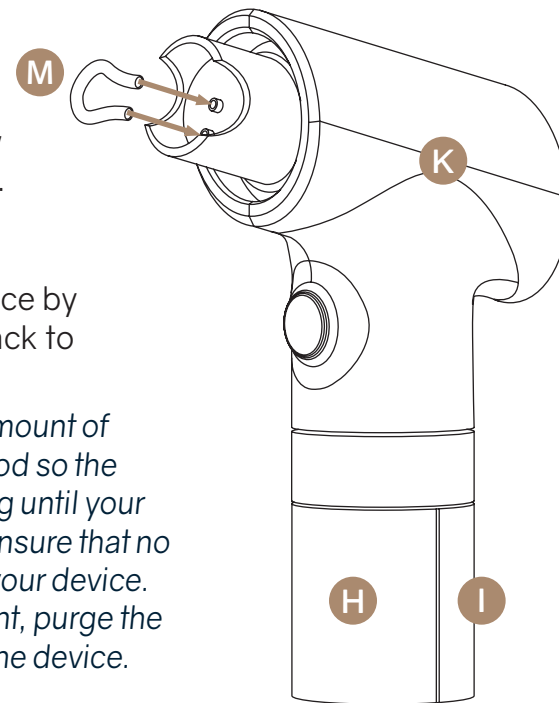
Gently align the nozzle to the hole and squeeze.

2. Attach Vacuum Tube (M) to vacuum port and serum port. With the Cleaning (I) and Waste (H) Pods installed, flip the switch down into **Mode 2**.

3. Run until Cleaning Solution is almost finished and your Waste Pod (H) is now filled with dirty water.

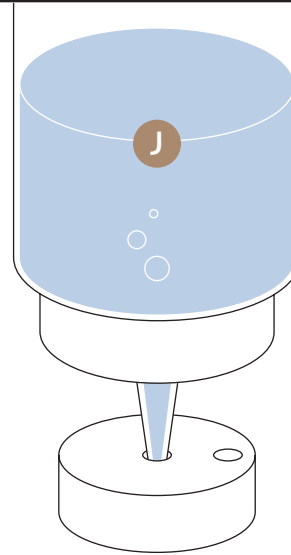
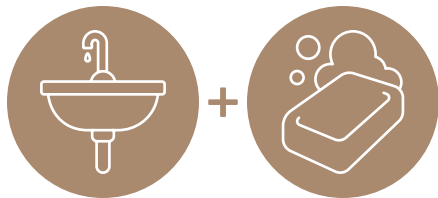
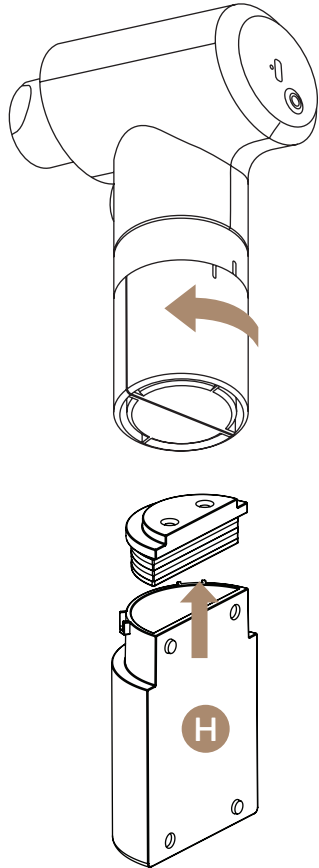
4. Then turn off the device by flipping the switch back to **Neutral** position.

You want to leave a tiny amount of cleaning solution in the pod so the solution stays in the tubing until your next treatment. This will ensure that no serum will ever dry up in your device. Prior to your next treatment, purge the remaining solution from the device.

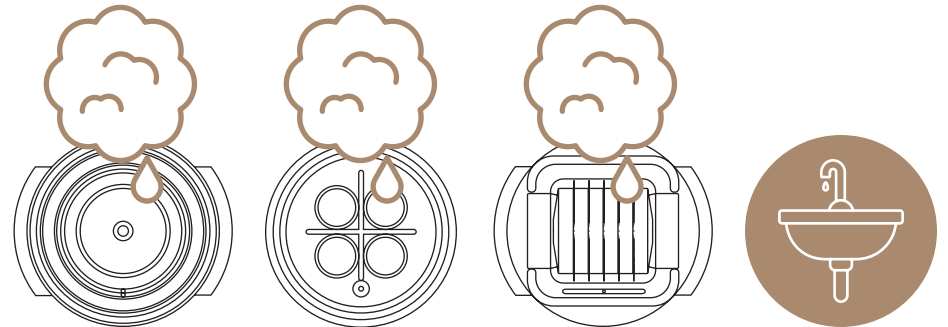


Cleaning

5. Remove the pods.
6. Remove the silicone cap from the Waste Pod (H) by finding the corner edge and pulling it up using your fingers.
7. Empty the contents of the Waste Pod (H) into a sink and rinse thoroughly using a small amount of soap if desired. Rinse the cap of the Waste Pod (H) and allow water to run through the holes to remove any residual serum or microdermabrasion debris.



8. Turn the tips upside down and use the Cleaning Solution (J) to rinse all treatment tips by inserting the nozzle in the holes of the tip until the cleaning solution comes out from the other end. *This will ensure serum does not clog up any holes.*
9. Soak cotton balls with cleaning solution. Thoroughly soak and clean each individual tip with solution. Give one last rinse under warm water, let air dry, and store away.

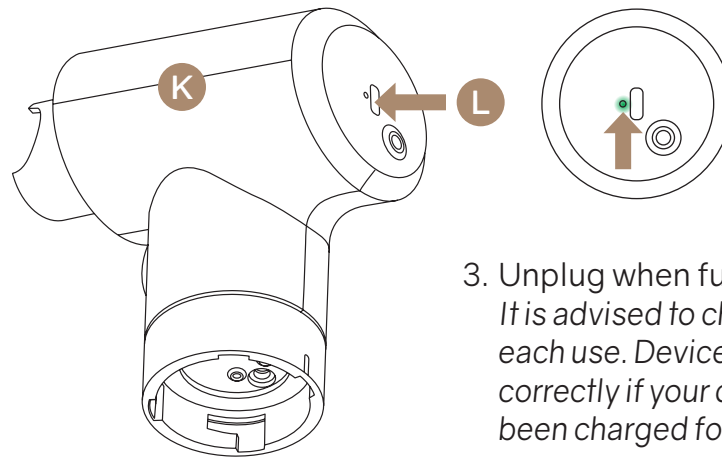


Step Five

CHARGING

Charging

1. Identify charging port located on rear of the Device (**K**) located on the opposite end of the tip mount.
2. Plug in the provided USBC Charging Cord (**L**). Confirm green light is visible while the device is plugged into a power source. The green light will blink while charging and will become steady green when fully charged.



3. Unplug when fully charged. *It is advised to charge after each use. Device will not pump correctly if your device hasn't been charged for a while*

Troubleshooting

Serum is not flowing through tips.

Confirm the following:

- Is the Trufacial™ Device charged?
 - See Charging Trufacial™ section (pg 39) for more information.
- Are you using Trufacial™ specially formulated serum?
- Have you run specially formulated Cleaning Solution through device since last use?
- Is device tip firmly pressed in?
- Is device nozzle free from Serum and/or debris?

Why don't my pods fit in the device handle?

- Ensure that you have a Waste Pod paired with a Serum Pod as this is the only way to use your device.

For additional questions, please contact us at:

(866) 920-2878

customerservice@trufacial.com

www.trufacial.com

Skin Aesthetics, Trufacial™

145 East Swedesford Rd. #1035

Wayne, PA 19087

TRUFACIAL



 @trufacial  @thetrufacial  @trufacial  @trufacial



www.trufacial.com