

moonki®

**PARTYBOX MW-PB250**  
User's Guide

**moonki®**



## 1.Important Safety Instructions



### CAUTION

RISK OF ELECTRIC SHOCK  
DO NOT OPEN



CAUTION: TO REDUCE THE RISK OF ELECTRIC SHOCK, DO NOT REMOVE COVER (OR BACK). NO USER-SERVICEABLE PARTS INSIDE. REFER SERVICING TO QUALIFIED SERVICE PERSONNEL.



The lightning flash is intended to alert the user to the presence of uninsulated "dangerous voltage" within the product's enclosure that may be of sufficient magnitude as to constitute a risk of electric shock to persons.



The exclamation mark is intended to alert the user to the presence of important operating and maintenance instructions in the literature accompanying the apparatus.

## Safety

1. **Read these instructions**—All the safety and operating instructions should be read before this product is operated.
2. **Keep these instructions**—The safety and operating instructions should be retained for future reference.
3. **Heed all warnings**—All warnings on the product and in the operating instructions should be adhered to.
4. **Follow all instructions**—All operating and usage instructions should be followed.
5. **Caution** To reduce the risk of fire or electric shock, do not expose this apparatus to rain or moisture. The apparatus must not be exposed to dripping or splashing and objects filled with liquids.  
**Do not use this apparatus near water**, for example, in a wet basement or near a swimming pool and the like.

## 2.Your Party Speaker

### Introduction

#### With this unit, you can:

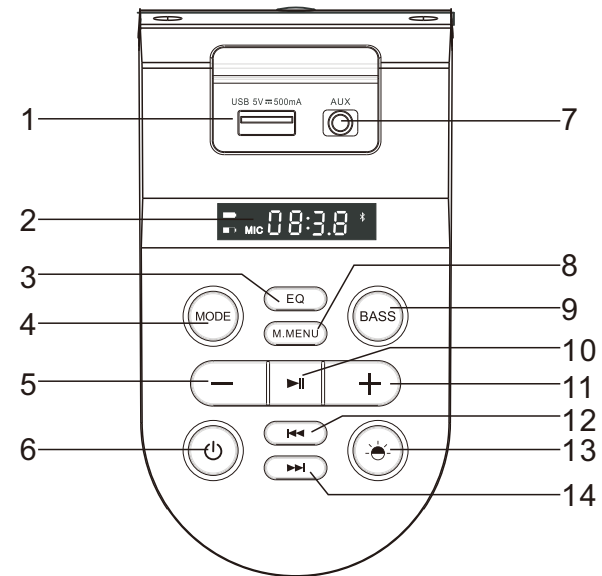
- Enjoy files of your favorite music

#### What's in the box

Check and identify the contents of your package:

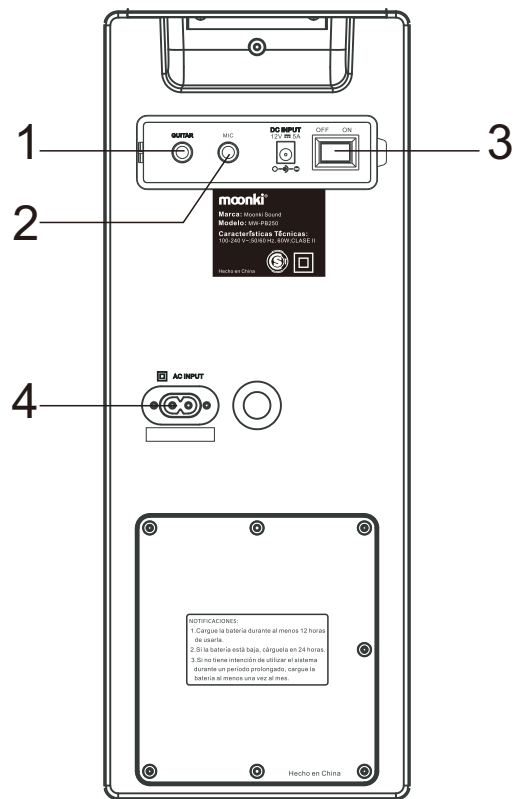
- Speaker
- Remote control
- User manual
- AUX Cable( the same one cable)
- AC Power cable

## Overview of the Top control panel



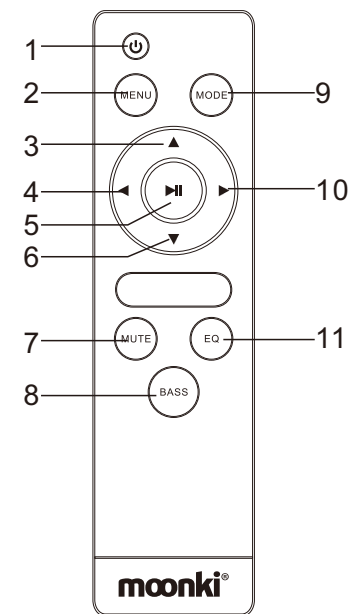
- 1.USB Charge
- 2.Display Window
- 3.EQ button
- 4.MODE button
- 5.Decrease Volume (-)
- 6.Power ON/OFF button
- 7.AUX Input jack
- 8.Mic Menu button
- 9.Bass button
- 10.Play/Pause button
- 11.Increase Volume (+)
- 12.Previous button
- 13.LED ON/OFF button
- 14.Next button

## Overview of the Rear Panel



1. Guitar Input jack
2. Microphone Input jack
3. Power ON/OFF Button
4. AC Power Input jack

## Overview of the Remote Control



1. Power function key
2. Menu function key
3. Volume+ function key
4. Play/Pause function key
5. Previous function key
6. Volume- function key
7. Mute function key
8. Bass function key
9. Mode function key
10. Next function key
11. EQ function key

### 3. Get started

#### **!** Caution

- Use of controls or adjustments or performance of procedures other than herein may result in hazardous radiation exposure or other unsafe operation.

Always follow the instructions in this chapter in sequence.

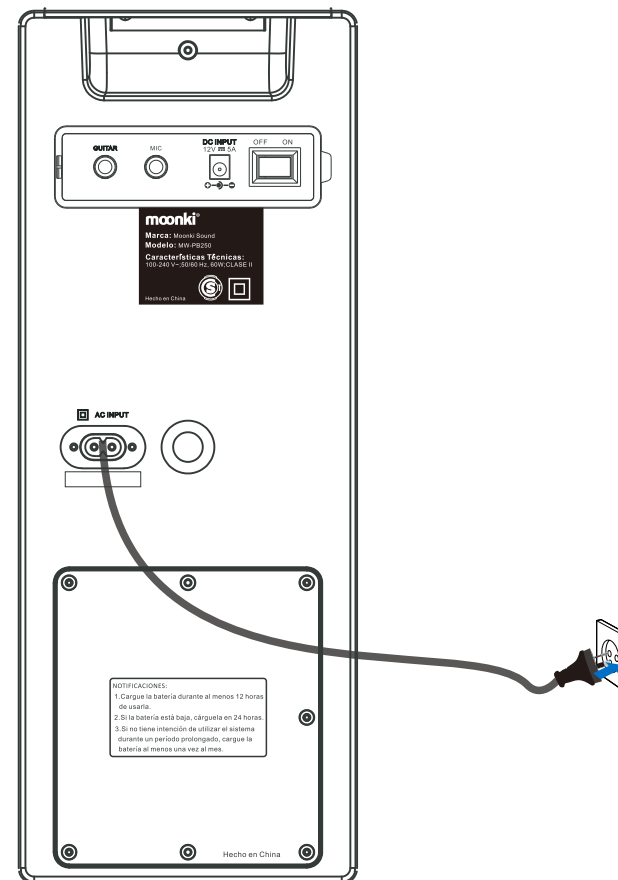
### Connect power

#### **!** Caution

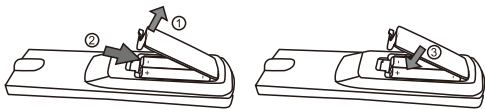
- Risk of product damage! Ensure that the power supply voltage corresponds to the voltage printed on back or the underside of the unit.
- Risk of electric shock! When you unplug the AC power cord, always pull the plug from the socket. Never pull the cord.

Before you connect the AC power cord, make sure that you have completed all other connections

Connect the power cable to the wall socket:



## Prepare the remote control



### To insert the remote control batteries:

1. Open the battery compartment.
2. Insert 2 x AAA batteries with correct polarity (+/-) as indicated. The 2xAAA battery not include in our products, please purchase from Authorized Seller.
3. Close the battery compartment.

### Please Note:

- If you are not going to use the remote for a long time, remove the batteries.
- Do not use old and new or different type of batteries in combination. Batteries contain chemical substances, so they should be disposed of properly.

### Turn On

1. Connect the AC power cable and plug to the wall socket;
2. Press the "POWER" button to o "ON" status to power on the speaker.  
The speaker will be powered by AC power and set the power switch on rear panel to ON position.
3. Press the POWER button on the top panel or on the remote control to turn it into Standby mode, Press the POWER button on the top panel or on the remote control to turn off the speaker and get into Standby mode, press for a few seconds again to turn on the speaker.

### Caution:

If you do not use this unit for a while, please switch the "POWER" button to "OFF" status, and disconnect the AC power cable of this unit.

### Charging the internal Battery

The speaker comes with a built-in rechargeable battery, follow the below steps to charge it:

1. Connect the power cable and plug to the wall socket on the rear panel.
2. There is a battery indicator light on the bottom left corner of the display panel, it will light up and slowly flash, that is being charge.
3. When the battery indicator light on the top left corner of the display pane light up, the battery is fully charged, then unplug the power cable to stop charging, both top and bottom indicator light will turn off automatically.

### Intrnal Battery Level indicator

1. When the battery is running out, the battery indicator light on the bottom left corner light up and quickly flash.
2. During playing, if you hear a "DI" sound from the speaker means the battery is running out and the speaker will turn off after 1 minute.
3. Please pay attention to the speaker sound, if the sound becomes abnormal, please charge the internal battery on time to keep the battery life.

**Note:** please fully charge the product when it is not going to be used for a long time and charge once a month to keep longer battery life.

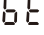




## 4.Play

### Basic key play operations

You can control play through following operations.



Key	Function
	Press this Previous button for previous track when playing music on Bluetooth mode.
	1. Press this PLAY/PAUSE button to play or pause the music when playing music on Bluetooth mode. 2. Or press for a few seconds to disconnect the Bluetooth if speaker in Bluetooth mode.
	Press this EQ button to switch the different music effect. Note: It cannot switch if the BASS is on.
	Press the POWER button to turn off the speaker and get into Standby mode, press for a few seconds again to turn on the speaker.
	Insert the AUX cable to external device.
	USB Charge
	Press this next button for next track when playing music on Bluetooth mode.
	Press this M button for function mode switching between Bluetooth/AUX modes.
	1. Press this VOLUME + button for volume increase when playing music, the display will show U 00 to U 40 2. Press this VOLUME + button to increase the echo volume level of microphone if using wired microphone, the display will show "E", then press the button to increase the sound volume of microphone echo. 3. Press this VOLUME + button to increase the volume level of microphone if using wired microphone, the display will show "C", then press the button to increase the sound volume of microphone. 4. Press this VOLUME + button to increase the volume level of microphone if using wired guitar, the display will show "E", then press the button to increase the sound volume of guitar.
	1. Press this VOLUME - button for volume decrease when playing music, the display will show from U 00 to U 40. 2. Press this VOLUME - button to decrease the echo volume level of microphone if using wired microphone, the display will show "E", then press the button to decrease the sound volume of microphone echo. 3. Press this VOLUME - button to decrease the volume level of microphone if using wired microphone, the display will show "C", then press the button to decrease the sound volume of microphone. 4. Press this VOLUME - button to decrease the volume level of microphone if using wired guitar, the display will show "C", then press the button to decrease the sound volume of guitar
	Press this BASS button for turn on or off the bass strong effect.
	Press this LED button for turn on and off, or switch the light effect.
	AC Input jack
	Insert the 6.35 wired microphone to the MIC jack.
	Insert the 6.35 Guitar to the GUITAR jack.

## 6. Connect with Bluetooth

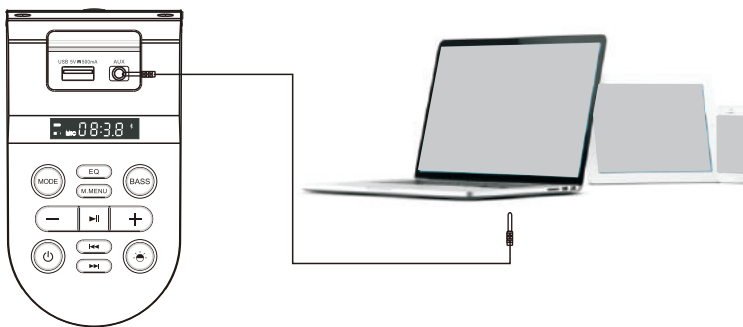
1. Press the MODE button on the Top Control panel or on the remote control to switch to the BLUETOOTH CONNECT mode, (  ) will be displayed on the screen.
2. Open the Bluetooth on the external device (must have Bluetooth function), and the name "MW-PB250" will show on the device, please try to connect it.
3. Once connected, you can hear a small sound from the speaker.
4. You can use the  or  key on the Top Control panel to control the tracks of the external device.
5. Press  button on the top control panel to disconnect the bluetooth. (This  on remote control not work for bluetooth disconnect function.)

**Note:** This speaker do not need the password.

## 7. Connect with AUX

1. Press the MODE button on the Top Control panel or on the remote control to switch to the Line-in mode, ( AUX ) will be displayed on the screen.
2. Connect this speaker to Line-in inserting jack and the external device Earphone jack by provided Line-in cable;
3. Once connected, turn on your external device music
4. You can use  or  button on the Top control panel to control the tracks of the external device.

**Caution:** Please turn off the unit before connect Line-in cable in order to avoiding unexpected noise.



## 8. Connect with Wired Microphone/Guitar

MIC



Insert 6.35mm wired microphone to play with microphone.

GUITAR



Insert 6.35mm wired guitar to play with guitar.



When playing with the wired microphone/guitar, please press this button to adjust the sound volume level of microphone/guitar.

### Microphone:

1. Press this Volume button for volume increase or decrease when playing music, the display will show "U".
2. Press this VOLUME button to turn to the microphone echo volume adjust mode, the display will show "E", then press the button to increase or decrease the microphone echo volume if using wired microphone.
3. Press this VOLUME button to the microphone volume adjust mode, the display will show "C", then press the button to increase or decrease the microphone volume if using wired microphone.

### Guitar:

If using wired guitar, the volume instruction the same as above 3 of microphone.

### Important Notes

While using the microphone, avoid being put the microphone opposite the bass of Speaker, as they may have Whistler Noisy.

To get the best singing performance, keep the micro phone within 5-15cm of the mouth and at a 45 degree angle.

When using the microphone, always pay attention to the battery, if the battery is low, the indicator light will come on and the performance will progressively become poor.

**Caution:** Please do not put the microphone directly face to the speaker, it may damage the speaker.

## 9.Product information

### Specifications

<b>Amplifier</b>	
Output power	60W
Input Sensitivity	$\geq 500\text{mV}$
<b>Speaker</b>	
Treble Speaker	2 Inch
Bass Speaker	5.25 Inch
<b>General information</b>	
AC Power	100-240V ~50/60HZ
Battery	12V4Ah