

moonki®



MANUAL DE USUARIO | USER MANUAL | MANUAL DO USUÁRIO

party
SPEAKER
MD-PB360

MOONKI SOUND
AUDIO PROFESIONAL

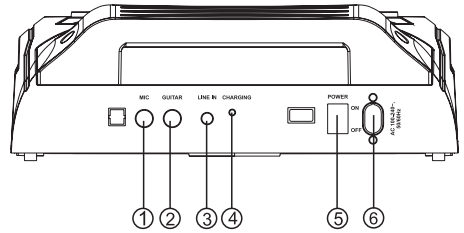


- 1 To assure the finest performance, please read this manual carefully. Keep it in a safe place for future reference.
- 2 Install this sound system in a well ventilated, cool, dry, clean place - away from direct sunlight, heat sources, vibration, dust, moisture, and/or cold. For proper ventilation, allow the following minimum clearances around this unit.
Top: 10 cm (4 inch)
Rear: 10 cm (4 inch)
Sides: 10 cm (4 inch)
- 3 Locate this unit away from other electrical appliances, motors, or transformers to avoid humming sounds.
- 4 Do not expose this unit to sudden temperature changes from cold to hot. Do not locate this unit in an environment with high humidity (i.e. a room with a humidifier) to prevent condensation inside this unit, which may cause an electrical shock, fire, damage to this unit, and/or personal injury.
- 5 Avoid installing this unit where foreign objects may fall into this unit and/or this unit may be exposed to liquid dripping or splashing.
Never place objects on top of this unit as they may cause damage to the unit or discolour it. Never place candles, lit objects or containers with liquids such as vases on the unit, as doing so is extremely hazardous, may cause personal injury and/or major damage to the unit.
- 6 Do not cover this unit with a newspaper, tablecloth, curtain, etc. in order not to obstruct heat radiation. If the temperature inside this unit rises, it may cause fire, damage to this unit, and/or personal injury.
- 7 Do not plug this unit into a wall outlet until all connections are complete.
- 8 Do not operate this unit upside down as it may overheat and cause damage.
- 9 Do not use force on switches, knobs and/or cords.
- 10 When disconnecting the power cable from the wall outlet, grasp the plug; do not pull the cable.
- 11 Do not clean this unit with chemical solvents as these may damage the finish. Use a clean, dry cloth.
- 12 Only the voltage specified on this unit may be used. Using this unit with a higher voltage than specified is dangerous and may cause fire, damage to this unit and/or personal injury. We will not assume any liability for damage resulting from use of this unit with a voltage other than specified.
- 13 To prevent damage by lightning, keep the power cable and outdoor antennas disconnected from a wall outlet or this unit during a lightning storm.
- 14 CAUTION: NEVER attempt to open this unit to modify, fix or repair this unit! Refer all service, repairs and maintenance to an authorised service centre.
- 15 When not planning to use this unit for long periods of time, disconnect the AC power plug from the wall outlet.
- 16 Before moving this unit, disconnect the AC power plug from the wall outlet.
- 17 Condensation may form when the surrounding temperature changes suddenly. Disconnect the power cable from the outlet and leave the unit alone until the condensation has fully dried up.
- 18 When using this unit for a long time, this unit may become warm. Turn the power off, then leave this unit to cool. .
- 19 Install this unit near the AC outlet, where the AC power plug can be reached easily.
- 20 The batteries must not be exposed to excessive heat such as sunshine, fire or the like. When you dispose of batteries, follow your regional regulations.
- 21 Excessive sound pressure from earphones and headphones can cause hearing loss.
22. This product is not intended for use by persons (including children) with reduced physical, sensory or mental capabilities, or lack of experience and knowledge, unless they have been given supervision or instruction concerning use of the product by a person responsible for their safety. Children must be supervised to ensure that they do not play with the product.
23. This product is not intended to be operated by means of an external timer or separate remote control system.

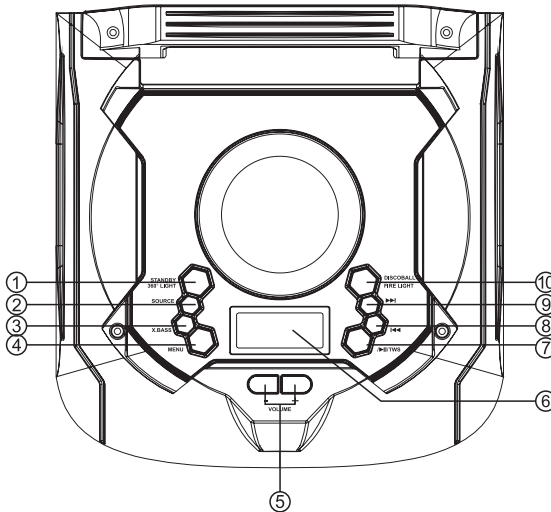


REAR PANEL

1. MIC: Wired Mic input socket
2. GUITAR: Guitar input socket
3. LINE-IN: Line-in input socket
4. Charging Light
5. POWER SWITCH: Press this switch to turn the unit ON or OFF
6. AC input: AC 100-240V~, 50/60Hz

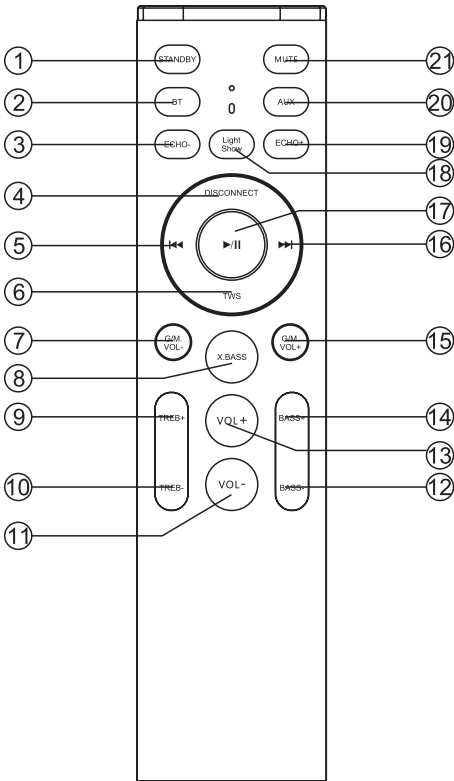


TOP PANEL



1. STANDBY/360° LIGHT : Press this key to turn the 360° LIGHT ON/OFF. Press and hold for Standby, ON, and OFF.
2. SOURCE: Press this key to change the sources between BT, LINE.
3. X.BASS: Press the key to turn the extra bass effect ON/OFF.
4. MENU: Press this key to change the menu between MIC, GUITAR, VOLUME, ECHO VOLUME, BASS, TREBLE.
5. VOLUME +/-: To adjust the levels.
6. LED DISPLAY: To display speaker status.
7. /TWS: Press to **▶||** PLAY/PAUSE a track at BT input mode. Press and hold on to change the TWS (true wireless stereo) mode on or off.
8. **◀◀**: To play the previous song at BT input mode.
9. **▶▶**: To play the next song at BT input mode.
10. DISCOBALL/FIRE LIGHT : Hold this key to DISOBALL on or off. Press to change the front speaker light mode between LED1,LED2,LED3,LED4,OFF





- 1) **STANDBY**
Stand by ON/OFF key.
- 2) **BT**
Press to enter Bluetooth pairing mode.
- 3) **ECHO-**
To decrease the echo effect
- 4) **DISCONNECT**
In BT, Press to disconnect and pair with a new device.
- 5) **◀◀**
Play the previous song by pressing "◀◀" at BT input mode.
- 6) **TWS**
Press to the TWS (true wireless stereo) mode on or off.
- 7) **GUITER/MIC VOL-**
To decrease the guitar and MIC volume.
- 8) **X.BASS**
Press this key to turn ON/OFF the extra bass effect.
- 9) **TREB+**
To increase the Treble effect.
- 10) **TREB-**
To decrease the Treble effect.
- 11) **VOL-**
To decrease the volume.
- 12) **BASS-**
To decrease the bass effect.
- 13) **VOL+**
To increase the volume.
- 14) **BASS+**
To increase the bass effect.
- 15) **GUITER/MIC VOL+**
To increase the GUITER and MIC volume.
- 16) **▶▶**
Play the next song by pressing "▶▶" at BT input mode.
- 17) **||**
Play / pause in BT mode.
- 18) **LIGHT SHOW**
To change the light mode between LED1,LED2,LED3,LED4,OFF
- 19) **ECHO+**
To increase the echo effect
- 20) **AUX**
Press to the AUX on or off.
- 21) **MUTE**
Press this key to MUTE/UNMUTE the speaker volume.



Bluetooth pair and connect

- Turn off any Bluetooth devices previously paired (linked) with this unit.
- Turn on the Bluetooth feature on your phone or music player.
- Turn on and set this unit to Bluetooth mode. The flashing "bt" on LED display indicates it is in pairing mode.
- Set your phone or music player to search for Bluetooth devices.
- Select "MD-PB360" from search results on your phone or music player.
- Select OK or YES to pair this unit with your phone or music player.
- If protected, enter 0000 for passkey steady blue light indicates successful connection.
- Hold pair key to disconnect current connection and enter pairing mode.

TWS (True Wireless Stereo) mode

1. Turn on 2 speaker equipments and select both unit INPUT mode as Bluetooth
2. Press "TWS" key on speaker set for 2 seconds, it will show "TWS" on display, TWS is connecting to another speaker equipment and will connect successfully after a sound indication or display shows "bt"
3. Turn on your Bluetooth feature on your mobile phone to search Bluetooth devices and select "MD-PB360" from the search result, select OK or YES to pair this unit with your mobile phones and a steady blue light will indicate the connection is successful and can play any music from your mobile phones.
4. Press "TWS" key on speaker unit for 2 seconds and it will turn off TWS features after shows "TWS" on display.
(The "LEFT" channel will be the speaker A, the other speaker will be the "RIGHT" channel.)

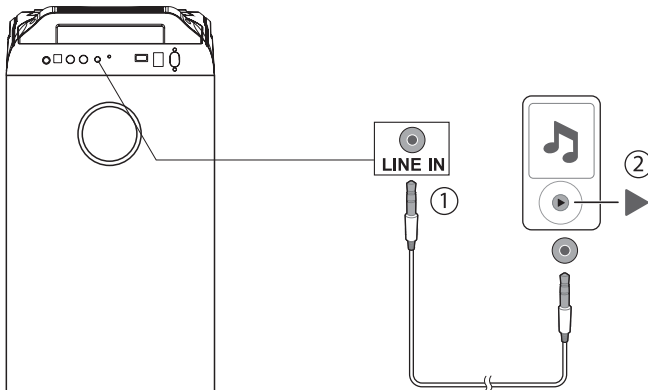


BATTERY

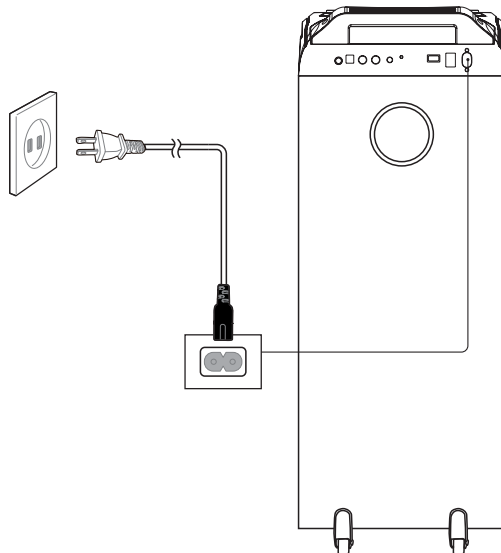
In AC (power) mode the battery will automatically charge. A slow red flashing light indicates that the battery is charging. When fully charged a green light will be displayed.

In DC (battery) mode a green light indicates that the battery level is full. If the battery level is low a red light will be displayed. This indicates that the battery must immediately be charged or the speaker will turn off.

LINE IN



Power on



SPECIFICATION

Parlante Activo de 3 vías
3 Ways Active speaker
Caixa de som ativo de 3 vías

Potencia RMS: 120W
RMS Power: 120W
Potência RMS: 120W

Potencia PMPO: 1800W
PMPO Power: 1800W
Potência PMPO: 1800W

Frecuencia de Respuesta: 25Hz-20kHz
Frequency Response: 25Hz-20kHz
Frequência de resposta: 25Hz-20kHz

Relación Ruido/Señal: 65dB
Signal to Noise Ratio: 65dB
Relação ruído/Sinal: 65dB

Impedancia: Subwoofer - 2Ω /
 Woofer - 4Ω / Tweeter - 8Ω
Impedance: Subwoofer - 2Ω / Woofer
 - 4Ω / Tweeter - 8Ω
Impedância: Subwoofer - 2Ω / Woofer
 - 4Ω / Tweeter - 8Ω

Subwoofer: 1x8"

Woofer: 1x8"

Tweeter: 1 x 1"

Rango Completo:
 (izquierdo, derecho y posterior): 3 x 2"
2" full ranges:
 (left, right and rear): 3 x 2"
Faixa completa:
 (esquerda, direita e traseira): 3 x 2"

Tiempo de Carga: 2 a 4hs
 (dependiendo el nivel de carga)
Charging Time: 2 to 4hs
 (depending on the charge level)
Tempo de carregamento: 2 a 4
 horas (dependendo do nível de
 carga)

Tiempo de Reproducción: 4 a
 6hs (dependiendo en el modo y
 volumen de uso)
Playing Time: 4 to 6hs
 (depending on the reproduction
 mode and volumen)
Tempo de reprodução: 4 a 6
 horas (dependendo do modo e
 volume de uso)

Medidas de Producto:
 295*298*778mm
Product Size: 295*298*778mm
Medidas do produto:
 295*298*778mm

Peso de Producto: 11Kg
Product Weight: 11Kg
Peso do produto: 11Kg

Dimensiones de Caja:
 357*350*820mm
Box Size: 357*350*820mm
Dimensões da caixa:
 357*350*820mm

Peso de Caja: 12.5Kg
Box Weight: 12.5Kg
Peso da caixa: 12,5 kg

Include: Control Remoto, Cable de Alimentación, Manual de Usuario, Tarjeta de Garantía
Inclui: controle remoto, cabo de alimentação, manual do usuário, cartão de garantia.
Includes: Remote Control, Power Cord, User manual, Warranty card.



Rangos completos de 2" en
 sus lados laterales y
 posterior para sonido 360°
 Full 2" ranges on the sides
 and back for 360° sound
 Faixas completas de 2" nas
 laterais e nas costas para
 som de 360°



Batería recargable de 16V
 3.6A para horas de tu
 música favorita
 16V 3.6A rechargeable
 battery for hours of your
 favorite music
 Bateria recarregável de 16V
 3.6A para horas de sua
 música favorita



Salida de carga USB 5V
 para carga de
 dispositivos
 5V USB charging output
 for device charging
 Saída de carregamento
 USB de 5V para
 carregamento do
 dispositivo



Conectá 2 parlantes entre
 sí, para un sonido estéreo
 inalámbrico
 Connect 2 speakers
 together for wireless
 stereo sound
 Conecte 2 alto-falantes
 juntos para som estéreo
 sem fio



Frente del parlante
 iluminado con efecto de
 flama LED + luces de fiesta
 Speaker front illuminated
 with LED flame effect + party
 lights
 Frente do alto-falante
 iluminada com efeito de
 chama LED + luzes de festa

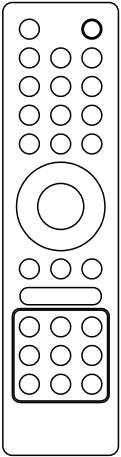


Bluetooth (5.0), Auxiliar,
 Entrada de micrófono,
 Entrada de Guitarra
 Bluetooth (5.0), Auxiliary,
 Microphone input, Guitar
 input
 Bluetooth (5.0), Auxiliar,
 Entrada para microfona,
 Entrada para guitarra

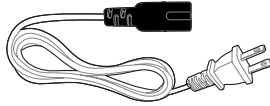


Accessories-included

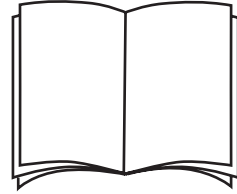
Remote control



power cable



User manual



CAUTION

Avoid exposing the speaker box to moisture. If they are set up outdoors, Be Sure they are under cover.

Do not use nor store the equipment near wet or dap places. It may cause a malfunction or shock hazard.

If the power cord is broken, it must be replaced by the manufacturer or service agent or qualifield personnel to avoid risks.

To reduce the risk of fire or electric shock, do not expose this equipament to rain or moisture.

Clean only with a soft, dry cloth.



CAUTION: BEFORE USE SPEAKER BOX, PLEASE CHARGE BATTERY FULLY, IT IS BETTER FOR BATTERY LIFE. DON'T PLAY SPEAKER BOX AND CHARGE BATTERY AT THE SAME TIME, OTHERWISE IT WILL AFFECT BATTERY LIFE.

