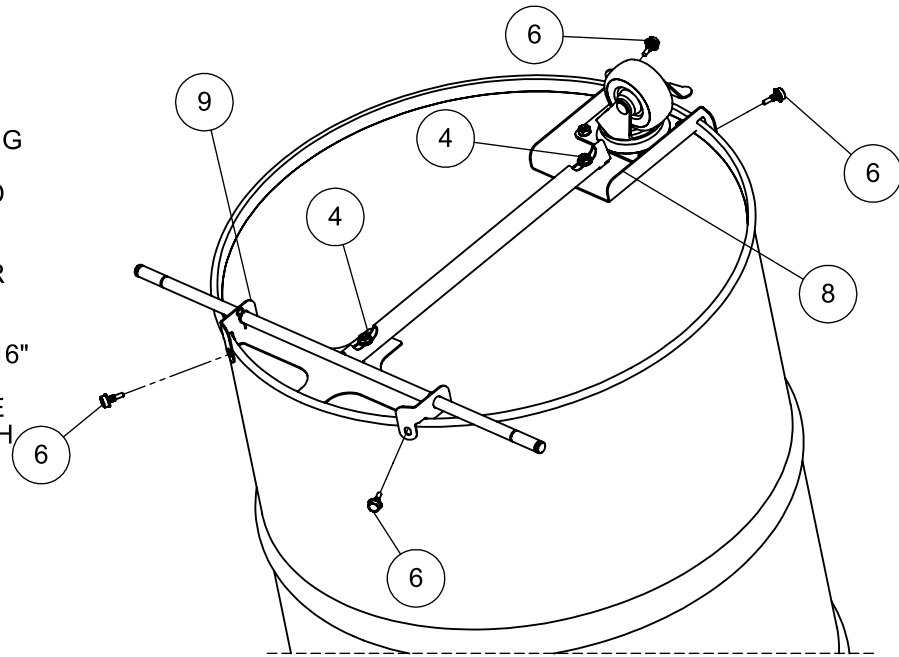
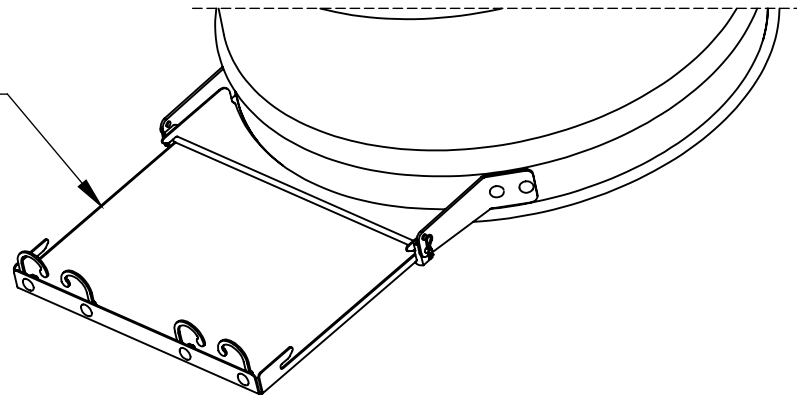


STEP 4:

IF YOU HAVE A SIDE SHELF, ORIENT THE WHEELS TO PREVENT TIPPING WHEN USING THE SIDE SHELF. MOVE THE WHEEL BRACKET (ITEM 9) AND CASTER BRACKET (ITEM 8) TIGHT TO THE SIDES OF THE DRUM AND INSTALL THE FOUR Ø 1/4" X 3/4" SELF-DRILLING SCREWS (ITEM 6) AS SHOWN WITH THE HAND DRILL AND 7/16" HEX DRIVER. FULLY TIGHTEN THE 1/4-20 SERRATED FLANGE NUTS (ITEM 4) WITH A WRENCH OR THE 7/16" HEX DRIVER.

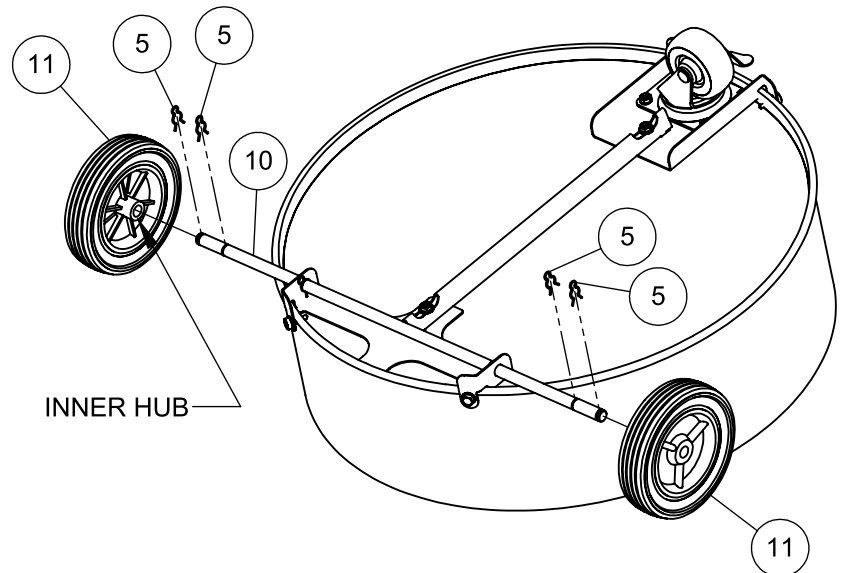


OPTIONAL SIDE SHELF



STEP 5:

ORIENT THE WHEELS (ITEM 11) SO THE INNER HUB IS TOWARD THE BARREL AND SLIDE THEM ONTO THE WHEEL AXLE (ITEM 10) AS SHOWN. PUSH THE REMAINING HAIRPIN CLIPS (ITEM 5) INTO THE OPEN GROOVES ON THE WHEEL AXLE TO RETAIN THE WHEELS. CAREFULLY TURN THE DRUM OVER ONTO THE WHEELS.

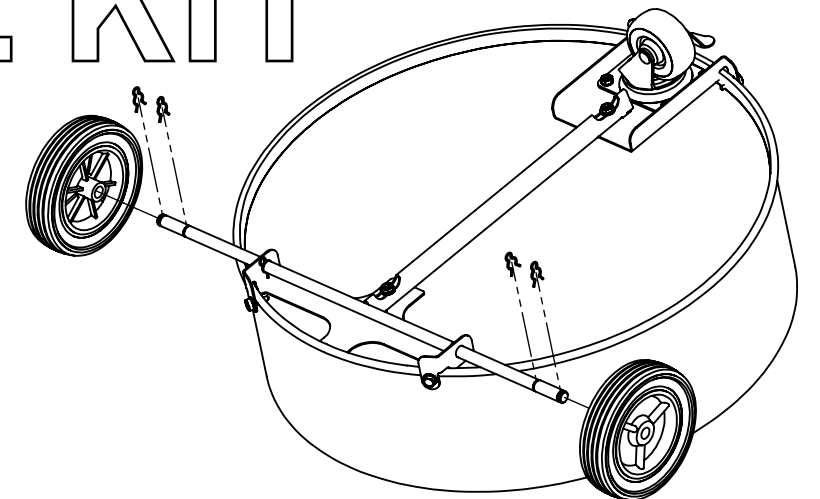


by



SMOKIN' UGLY DRUM SMOKER WHEEL KIT

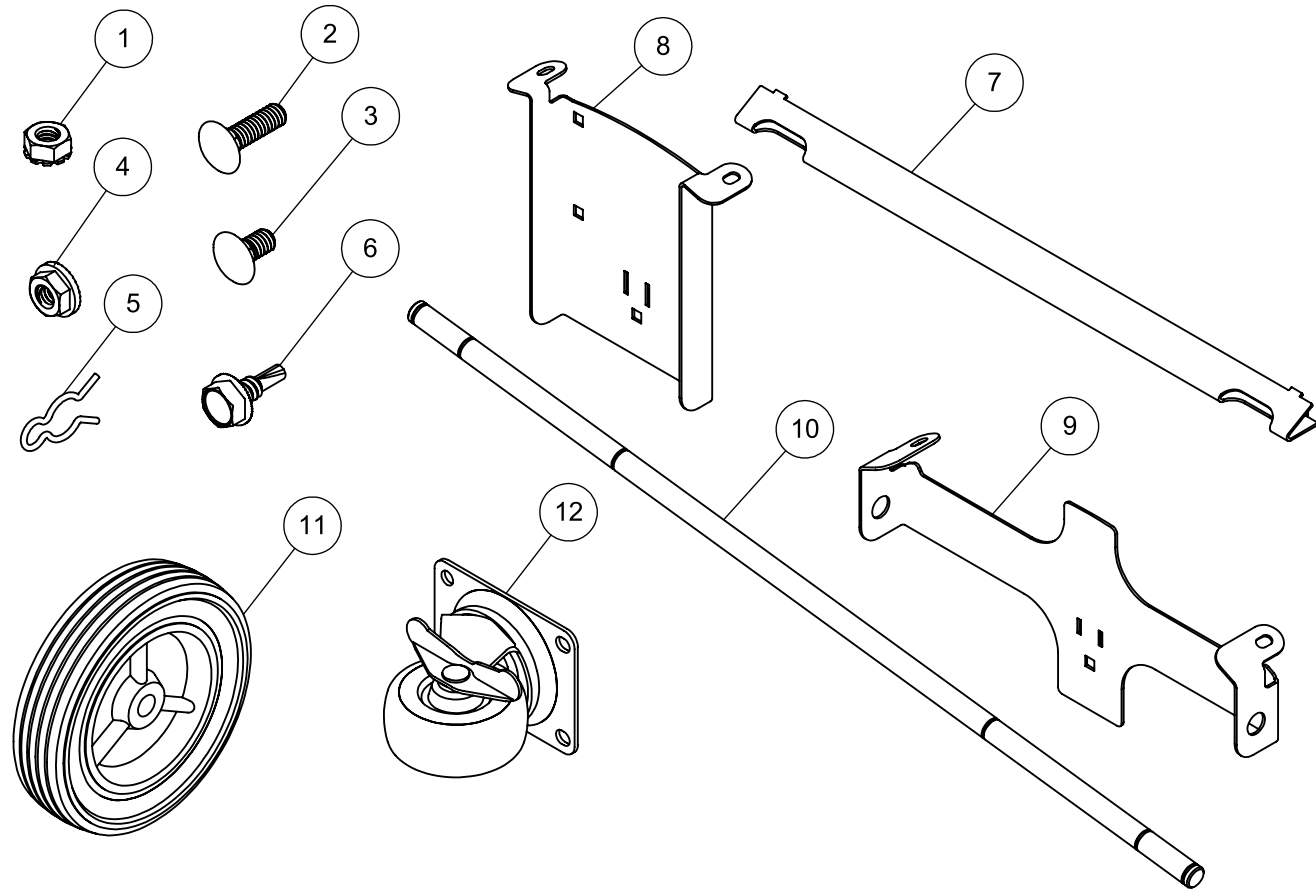
Instruction Manual



PLEASE NOTE: IF YOU ARE INSTALLING A WHEEL KIT ON A DRUM SMOKER WITH A SIDE SHELF, PLACE THE WHEELS SO AS NOT TO CAUSE A TIPPING CONDITION WHEN USING THE SIDE SHELF. MOUNTING THE WHEEL AXLE PERPENDICULAR TO THE SIDE SELF IS USUALLY BEST. SEE STEP 4 FOR REFERENCE.

TOOLS REQUIRED: 7/16" WRENCH, HAND DRILL, AND 7/16" HEX DRIVER

PARTS

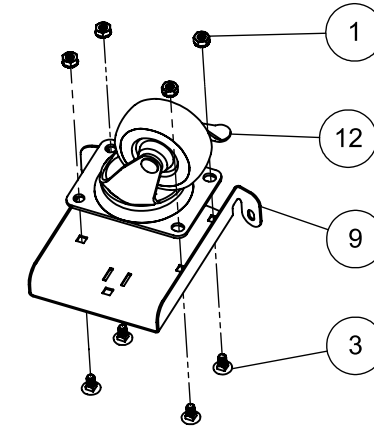


ITEM #	DESCRIPTION	QUANTITY
1	1/4-20 SEMS LOCK NUT	4
2	1/4-20 X 7/8" CARRIAGE BOLT	2
3	1/4-20 X 1/2" CARRIAGE BOLT	4
4	1/4-20 SERRATED FLANGE NUT	2
5	1/2" HAIRPIN CLIP	6
6	Ø 1/4" X 3/4" SELF-DRILLING SCREW	4
7	STIFFENER BAR	1
8	CASTER BRACKET	1
9	WHEEL BRACKET	1
10	WHEEL AXLE	1
11	6" WHEEL	2
12	SWIVEL CASTER	1

ASSEMBLY

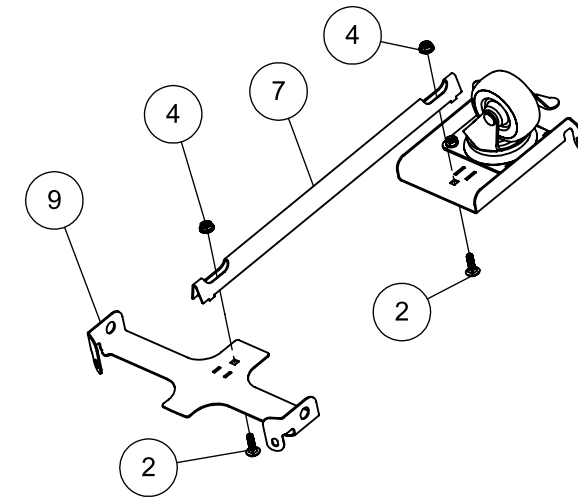
STEP 1:

USING THE 7/16" WRENCH, ASSEMBLE THE CASTER (ITEM 12) TO THE WHEEL BRACKET (ITEM 9) WITH THE 1/4-20 SEMS LOCK NUTS (ITEM 1) AND 1/4-20 CARRIAGE BOLTS (ITEM 3).



STEP 2:

ATTACH THE STIFFENER BAR (ITEM 7) TO THE CASTER/WHEEL BRACKET ASSEMBLY FROM STEP 1 AND THE WHEEL BRACKET (ITEM 9) USING THE 1/4-20 X 7/8" CARRIAGE BOLTS (ITEM 2) AND THE 1/4-20 SERRATED FLANGE NUTS (ITEM 4) AS SHOWN. ONLY HAND TIGHTEN THE NUTS AT THIS TIME.



STEP 3:

PLACE THE ASSEMBLY FROM STEP 2 ON THE BOTTOM OF YOUR DRUM SMOKER. INSERT THE WHEEL SHAFT (ITEM 10) THROUGH THE WHEEL BRACKET. PUSH THE HAIRPIN CLIPS INTO THE TWO CENTERMOST GROOVES TO RETAIN THE AXLE.

