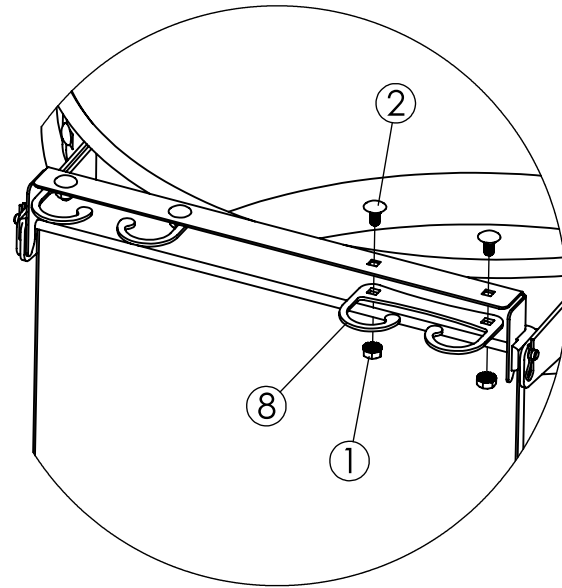


STEP 3:

ASSEMBLE THE (2) HOOK UTENSIL BRACKETS (ITEM 8) TO THE SHELF USING THE 7/16" WRENCH WITH (2) 1/4-20 CARRIAGE BOLTS (ITEM 2) & (2) 1/4-20 SEMS NUTS (ITEM 1). REPEAT FOR OTHER UTENSIL BRACKET.



OPERATION:

TO OPEN SHELF, PULL UP EVENLY ON THE SHELF UNTIL THE PIN ENGAGES THE UPPER STOP. ROTATE SHELF DOWN UNTIL THE SHELF ENGAGES THE RIM OF THE DRUM. TO STORE SHELF, REVERSE THESE INSTRUCTIONS. (SEE VIEWS BELOW)

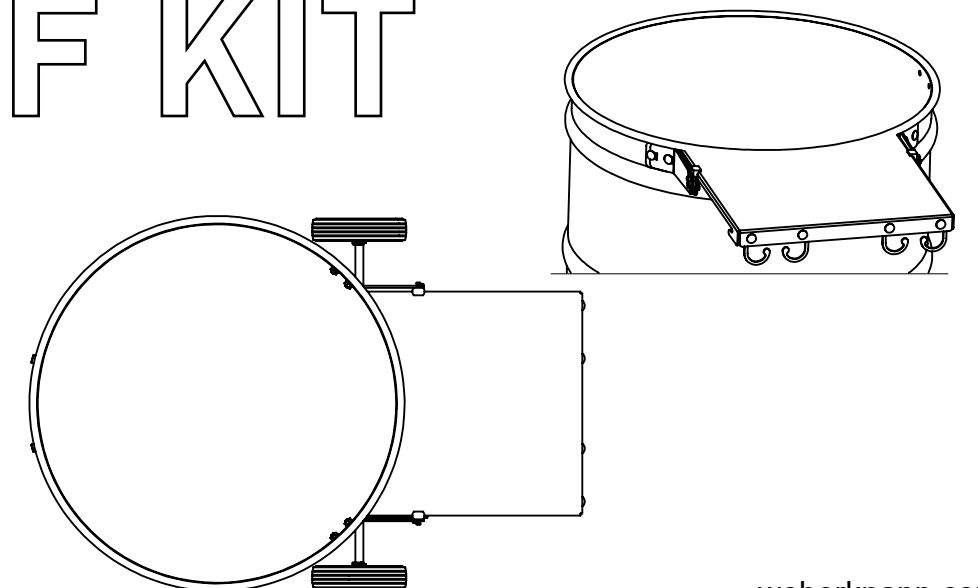


by



# SMOKIN' UGLY DRUM SMOKER SHELF KIT

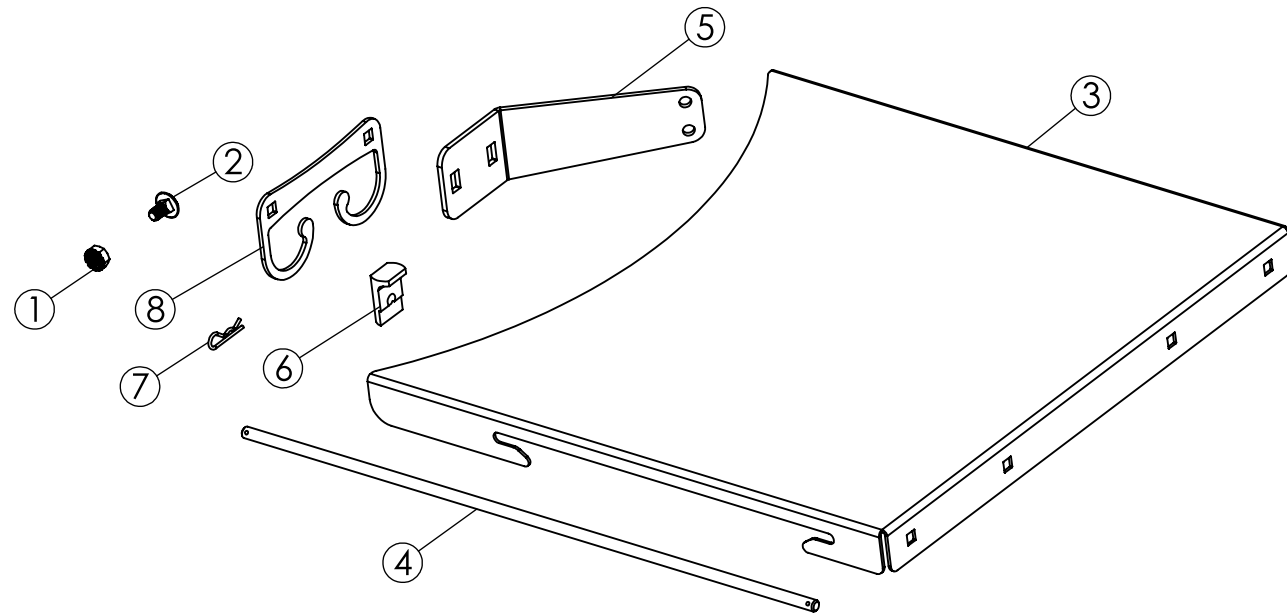
Instruction Manual



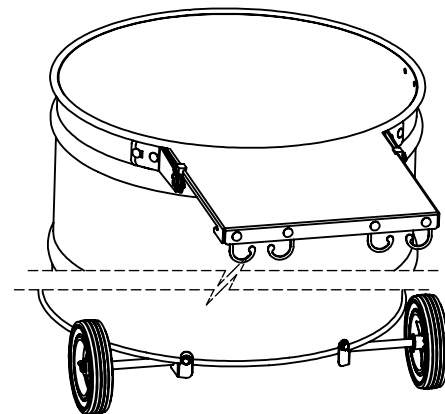
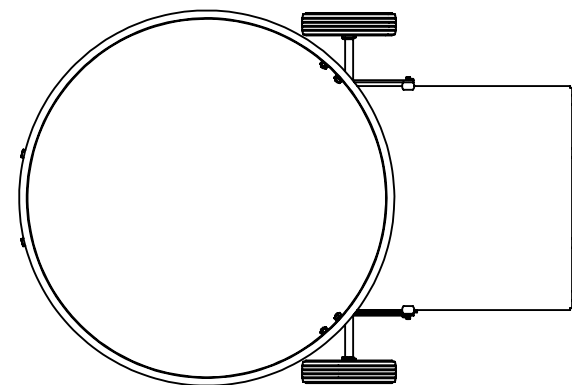
**PLEASE NOTE:** IF YOU ARE INSTALLING A SHELF KIT ON A DRUM SMOKER THAT HAS A WHEEL KIT INSTALLED, INSTALL THE SHELF BETWEEN THE WHEELS, SO AS NOT TO CAUSE A TIPPING CONDITION WHEN USING THE SHELF. (SEE VIEWS AT BOTTOM OF PAGE)

**TOOLS REQUIRED:** 7/16" WRENCH, HAND DRILL, 1/4" DRILL, PENCIL OR MARKER

**PARTS**



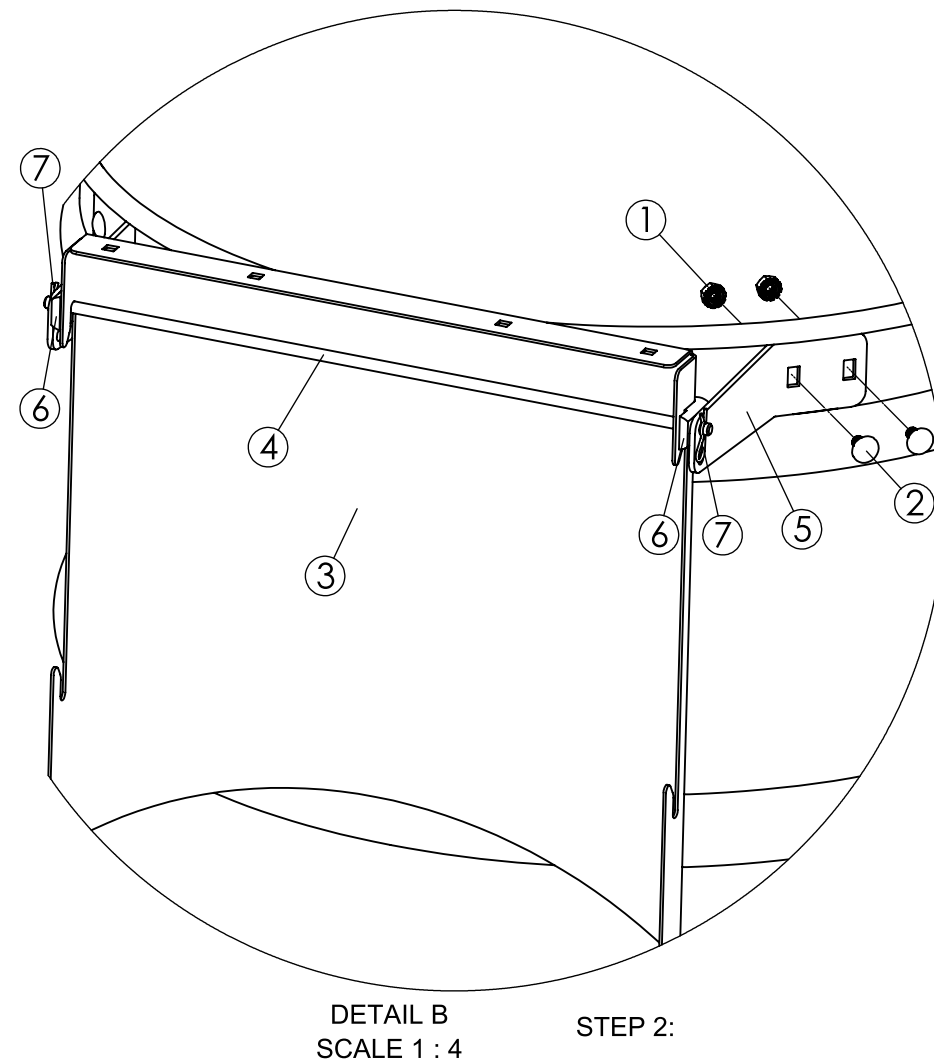
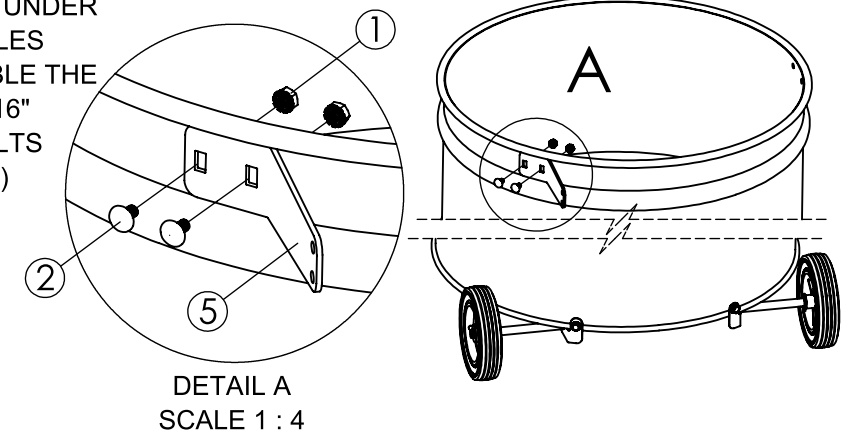
ITEM #	DESCRIPTION	QUANTITY
1	1/4-20 SEMS LOCK NUT	8
2	1/4-20 x 1/2" CARRIAGE BOLT	8
3	SHELF	1
4	SHELF PIN	1
5	SHELF BRACKET	2
6	SHELF GUIDE PLASTIC BLOCK	2
7	COTTER PIN	2
8	2 HOOK UTENSIL BRACKET	2



**ASSEMBLY**

**STEP 1:**

PLACE SHELF BRACKET (ITEM 5) TIGHT UNDER THE BARREL RIM. MARK & DRILL (2) HOLES IN THE MIDDLE OF THE SLOTS. ASSEMBLE THE BRACKET TO THE DRUM, USING THE 7/16" WRENCH WITH (2) 1/4-20 CARRIAGE BOLTS (ITEM 2) & (2) 1/4-20 SEMS NUTS (ITEM 1)



**STEP 2:**

ASSEMBLE THE SHELF COMPONENTS TO THE ASSEMBLED SHELF BRACKET AS SHOWN IN DETAIL B, FOR PROPER SPACING. PLACE THE UNASSEMBLED SHELF BRACKET (ITEM 5) TIGHT UNDER THE BARREL RIM. MARK & DRILL (2) HOLES IN THE MIDDLE OF THE SLOTS. ASSEMBLE THE BRACKET TO THE DRUM, USING THE 7/16" WRENCH WITH (2) 1/4-20 CARRIAGE BOLTS (ITEM 2) & (2) 1/4-20 SEMS NUTS (ITEM 1)