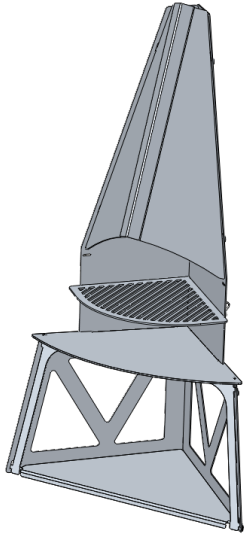


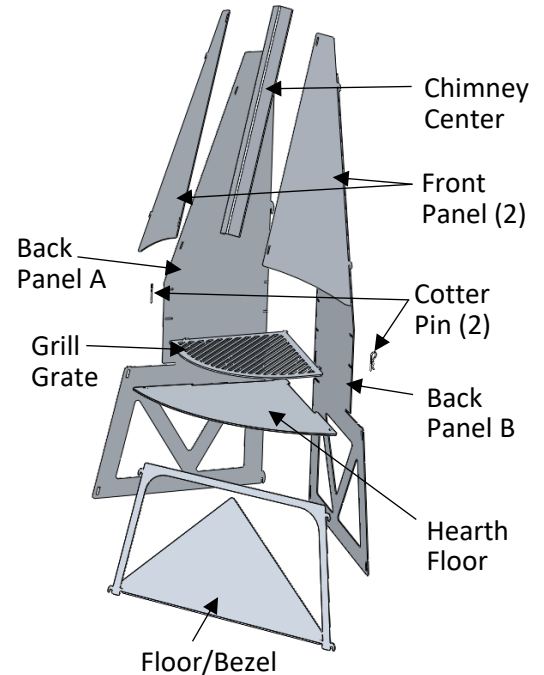
SMOKIN' UGLY® Chiminea Outdoor Fireplace

Assembly Instructions

CHIMINEA SAFETY TIPS:



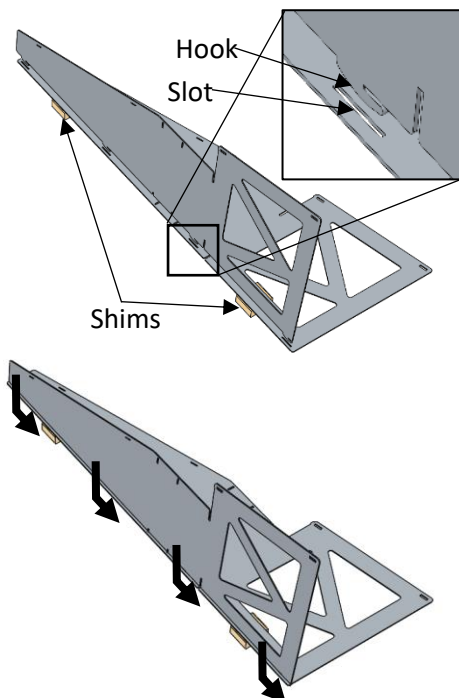
- MAY REQUIRE TWO PEOPLE TO ASSEMBLE.
- STEEL EDGES MAY BE SHARP- USE GLOVES/CAUTION
- KEEP YOUR CHIMINEA AWAY FROM ALL FLAMMABLE OBJECTS
- ALWAYS PLACE YOUR CHIMINEA ON A FIREPROOF OR FIRE-RESISTANT SURFACE
- DO NOT TOUCH YOUR CHIMINEA WHILE IT IS BEING USED, IT GETS VERY HOT!



FINISHING TIPS:

- IF PAINTING YOUR CHIMINEA, USE ONLY HIGH TEMPERATURE PAINT & FOLLOW PAINT MFG. INSTRUCTIONS.
- OTHER FINISHING IDEAS ARE: NATURAL OXIDIZED PATINA OR OIL SEASONED.

INSTRUCTIONS:



Step 1. Place Back Panel B on the ground with the back edge shimmed off the ground by an inch or 2.

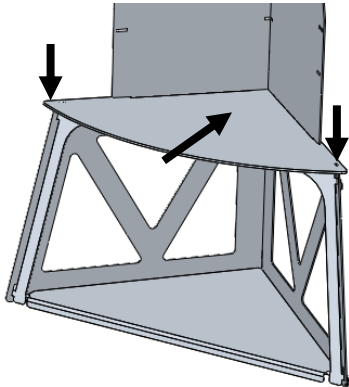
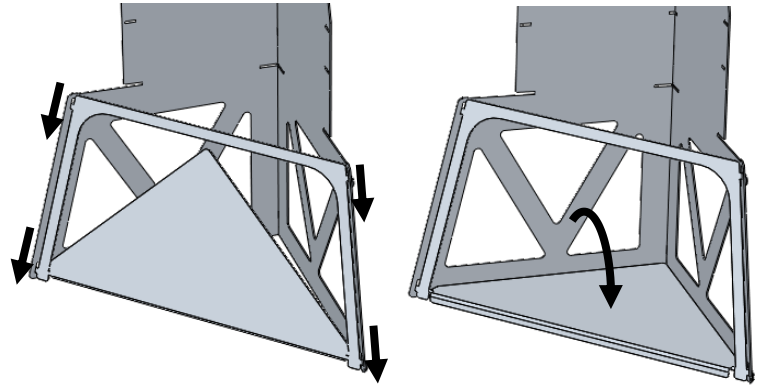
Step 2. Holding Back Panel A perpendicular to Panel B, insert the (4) hooks of Panel A into the corresponding (4) slots on Panel B.

Step 3. Push Panel A into alignment with Panel B to lock them together. Stand them upright.

SMOKIN' UGLY® Chiminea Outdoor Fireplace

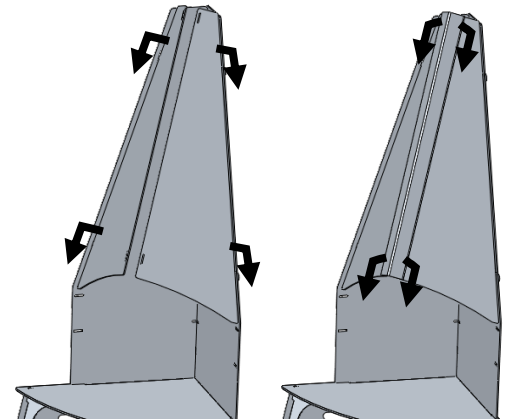
Assembly Instructions

Step 4. Insert the (4) hooks of the Floor/Bezel into the (4) slots on the Back Panels and slide it down to lock it in place. Push the floor down.



Step 5. Attach the Hearth Floor by sliding it into the slots at the bottom of the chimney. Ensure that the tabs at the corners of the Back Panels are fully engaged with the slots of the Hearth Floor.

Step 6. Insert the (2) hooks on each of the Front Panels into the (2) slots at the edge of the Back Panels. Lock them in place by pushing them downward.



Step 7. Lock the Front Panels together by inserting the (4) hooks of the Chimney Center into the (4) slots of the Front Panels and then pushing it downward.

THIS COMPLETES YOUR CHIMINEA!

COOKING INSTRUCTIONS:

CLEAN & SEASON YOUR GRILL GRATE BEFORE COOKING ON IT.

- Insert the (3) tabs of the Grill Grate into one of two sets of slots on the Back Side Panels.
- Install both Cotter Pins to lock the Grill Grate into position.

2 Grate Positions

