

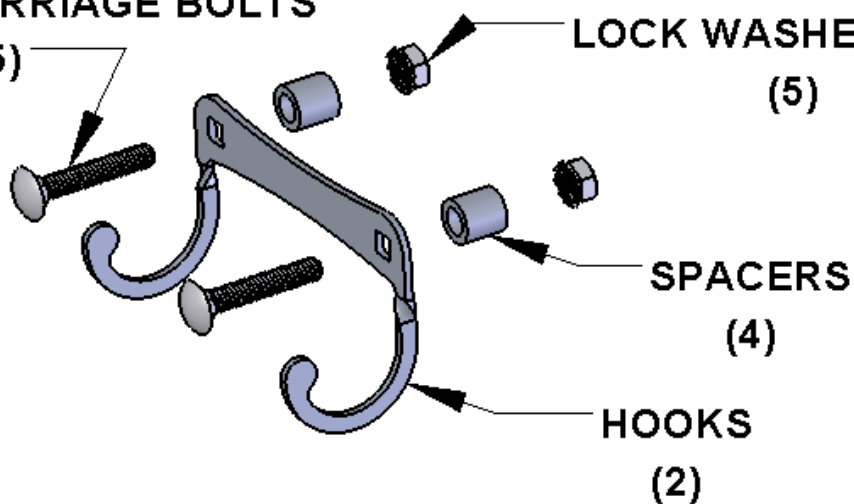
PARTS LIST

1-1/2" LONG CARRIAGE BOLTS

(5)

LOCK WASHER NUTS

(5)



SPACERS

(4)

HOOKS

(2)

TOOLS NEEDED:

PENCIL OR MARKER

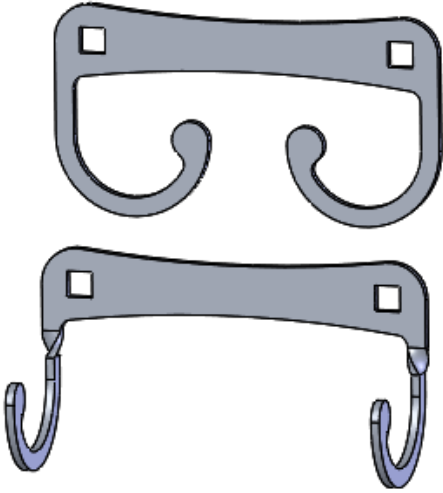
HAND DRILL

ADJUSTABLE WRENCH OR PLIERS

5/16" DIA. DRILL BIT

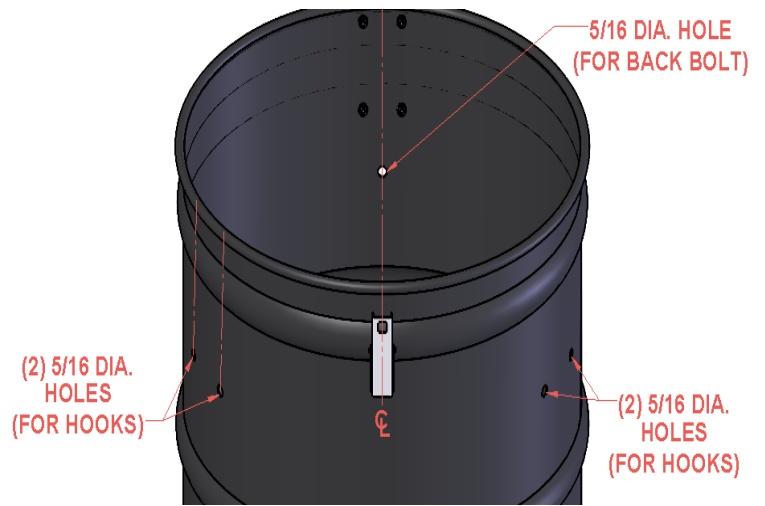
7/16" WRENCH OR SOCKET

STEP 1



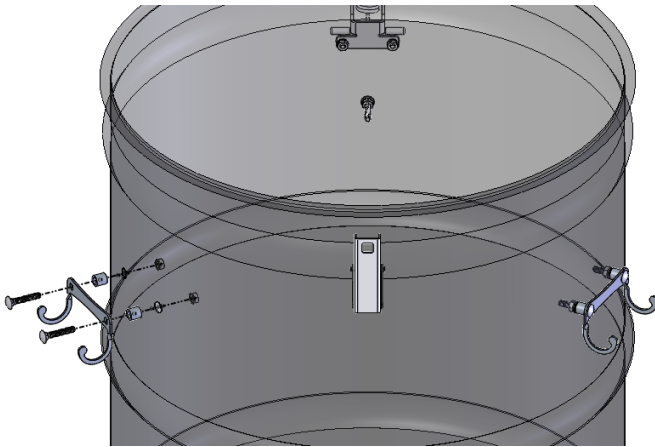
WITH ADJUSTABLE WRENCH OR PLIERS, TWIST THE (2) HOOKS OUT APPROXIMATELY 90 DEGREES. (2)

STEP 2



LAYOUT MARK AND DRILL (5) 5/16" DIA. HOLES APPROXIMATELY 8" DOWN FROM DRUM TOP LIP. THE HOOK MOUNTING HOLES SHOULD BE ON APPROXIMATELY 3 1/4" CENTERS.

STEP 3



MOUNT THE HOOKS WITH THE SPACERS AND THE BACK CENTER BOLT TO THE DRUM. THE (5) 1-1/2" LONG BOLTS WILL BE USED TO SUPPORT THE COOKING GRATE.

STEP 4



PLACE THE COOKING GRATE ON THE BOLTS