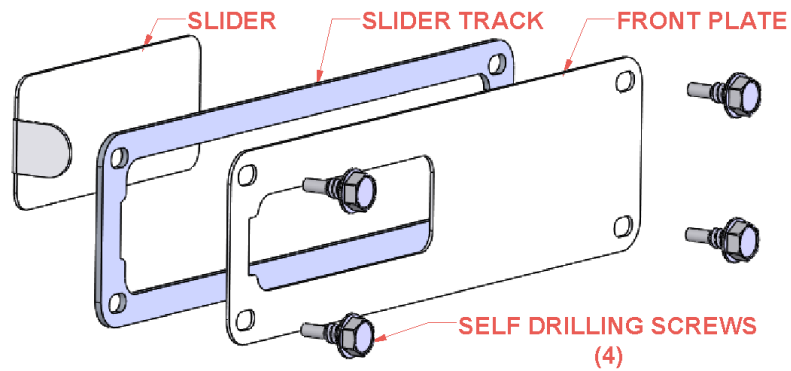
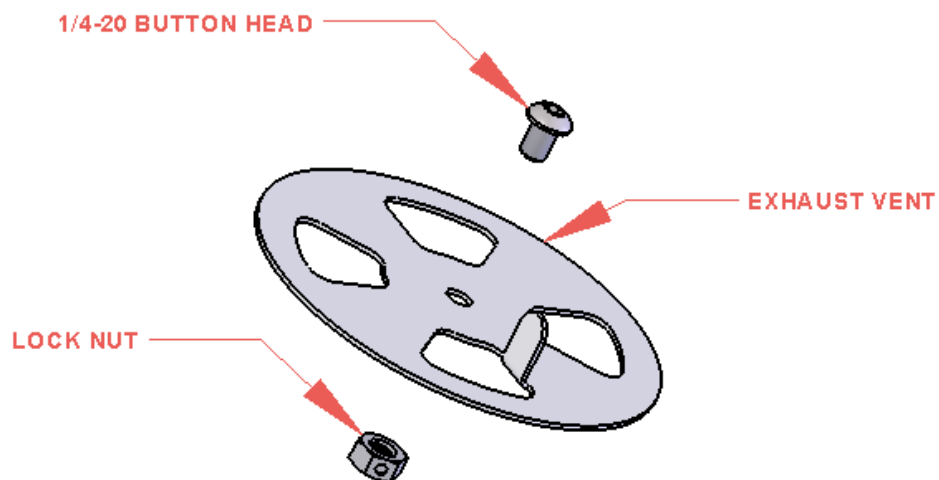


**INLET VENT
PARTS LIST**



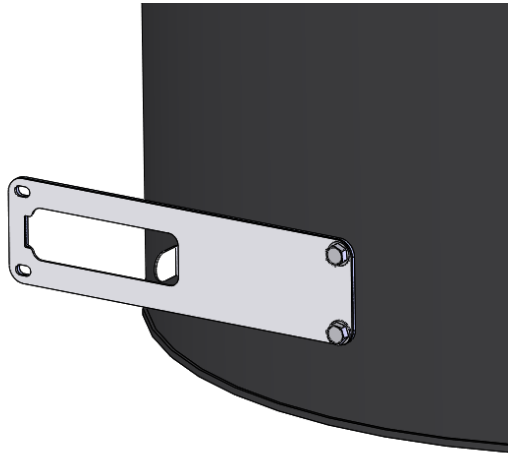
**EXHAUST VENT
PARTS LIST**



TOOLS NEEDED:

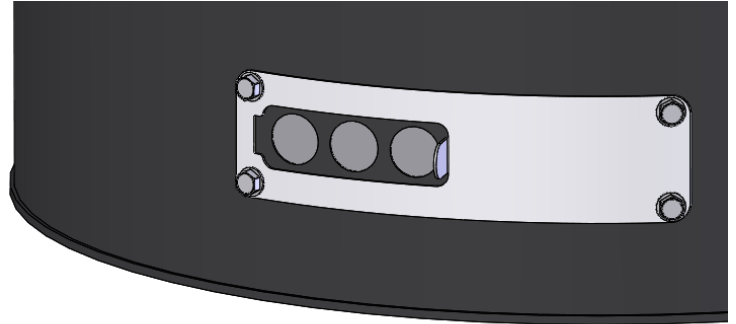
- PENCIL OR MARKER**
- HAND DRILL**
- 1/4" TO 1" STEP DRILL**
- 3/8" HEX DRIVE**
- 5/32" ALLEN WRENCH**
- 7/16" WRENCH OR SOCKET**

STEP 1



MOUNT INLET (ALL (3) PIECES) APPROXIMATELY 2" FROM BOTTOM. USING 3/8" HEX DRIVE ASSEMBLE (2) SELF-DRILLING SCREWS ON ONE END

STEP 2



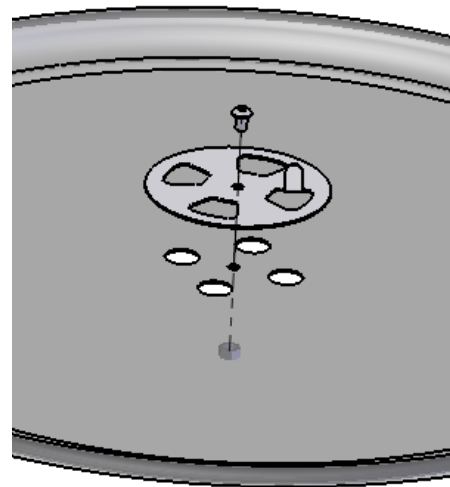
WHILE BENDING THE (3) PIECES AROUND THE DRUM, INSTALL THE OTHER (2) SELF-DRILLING SCREWS. SLIDE OPEN THE DOOR AND EQUALLY LAYOUT AND DRILL (3) 1" DIA. HOLES, ON DRUM.

STEP 1



LAY EXHAUST VENT ON TOP OF LID IN LOCATION FOR MOUNTING. MARK THE CENTER HOLE AND THE (4) OTHER OPENINGS. REMOVE EXHAUST VENT

STEP 2



DRILL 5/16" HOLE FOR THE CENTER PIVOT HOLE. AND DRILL (4) 5/8" TO 3/4" DIA. HOLES IN THE APPROXIMATE MIDDLE OF THE OTHER MARKINGS. INSTALL BUTTON HEAD SCREW AND LOCK NUT.