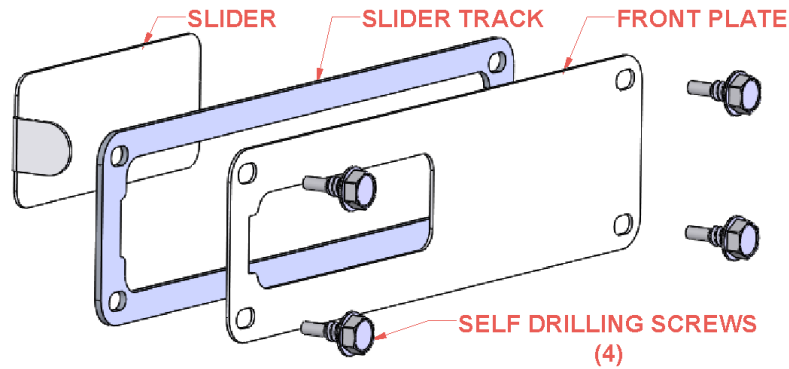


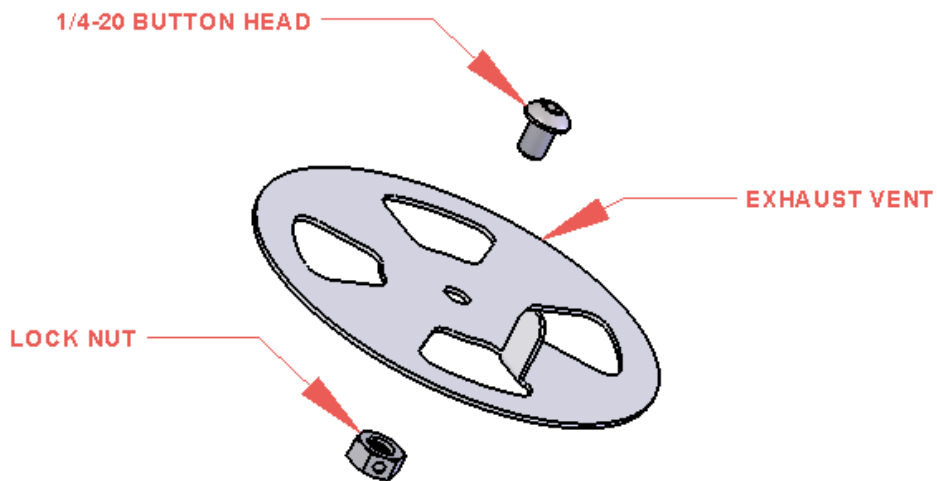
**32555 INLET VENT KIT  
32556 EXHAUST VENT KIT**

**32602 INST. SHEET**

**INLET VENT  
PARTS LIST**



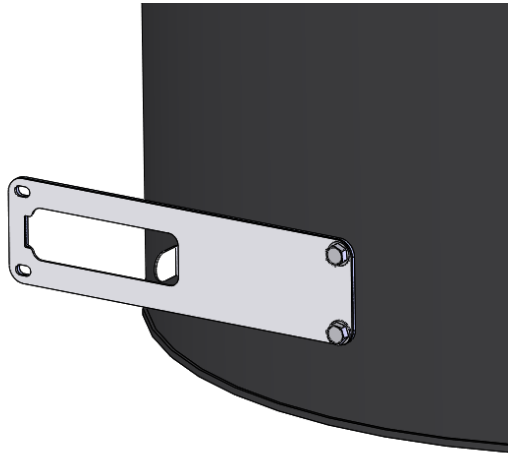
**EXHAUST VENT  
PARTS LIST**



**TOOLS NEEDED:**

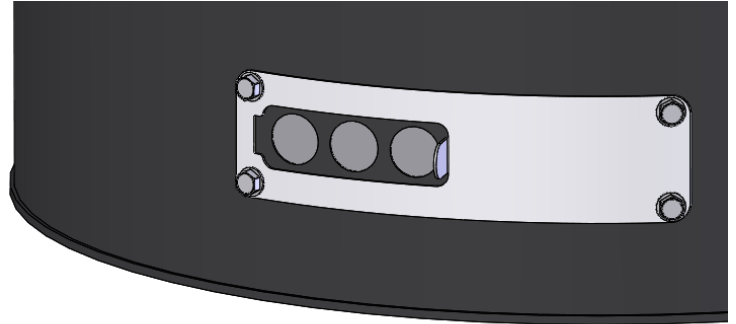
**PENCIL OR MARKER  
HAND DRILL  
1/4" TO 1" STEP DRILL  
3/8" HEX DRIVE  
5/32" ALLEN WRENCH  
7/16" WRENCH OR SOCKET**

### STEP 1



MOUNT INLET (ALL (3) PIECES) APPROXIMATELY 2" FROM BOTTOM. USING 3/8" HEX DRIVE ASSEMBLE (2) SELF-DRILLING SCREWS ON ONE END

### STEP 2



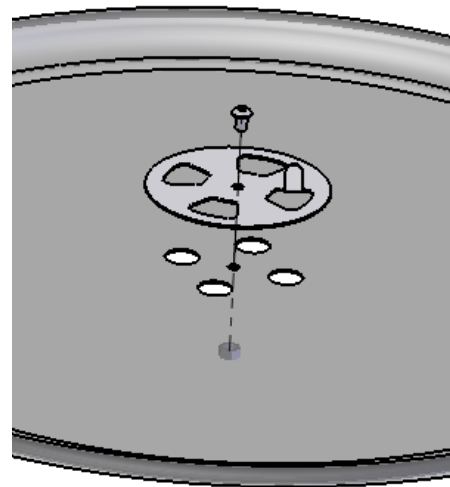
WHILE BENDING THE (3) PIECES AROUND THE DRUM, INSTALL THE OTHER (2) SELF-DRILLING SCREWS. SLIDE OPEN THE DOOR AND EQUALLY LAYOUT AND DRILL (3) 1" DIA. HOLES, ON DRUM.

### STEP 1



LAY EXHAUST VENT ON TOP OF LID IN LOCATION FOR MOUNTING. MARK THE CENTER HOLE AND THE (4) OTHER OPENINGS. REMOVE EXHAUST VENT

### STEP 2



DRILL 5/16" HOLE FOR THE CENTER PIVOT HOLE. AND DRILL (4) 5/8" TO 3/4" DIA. HOLES IN THE APPROXIMATE MIDDLE OF THE OTHER MARKINGS. INSTALL BUTTON HEAD SCREW AND LOCK NUT.