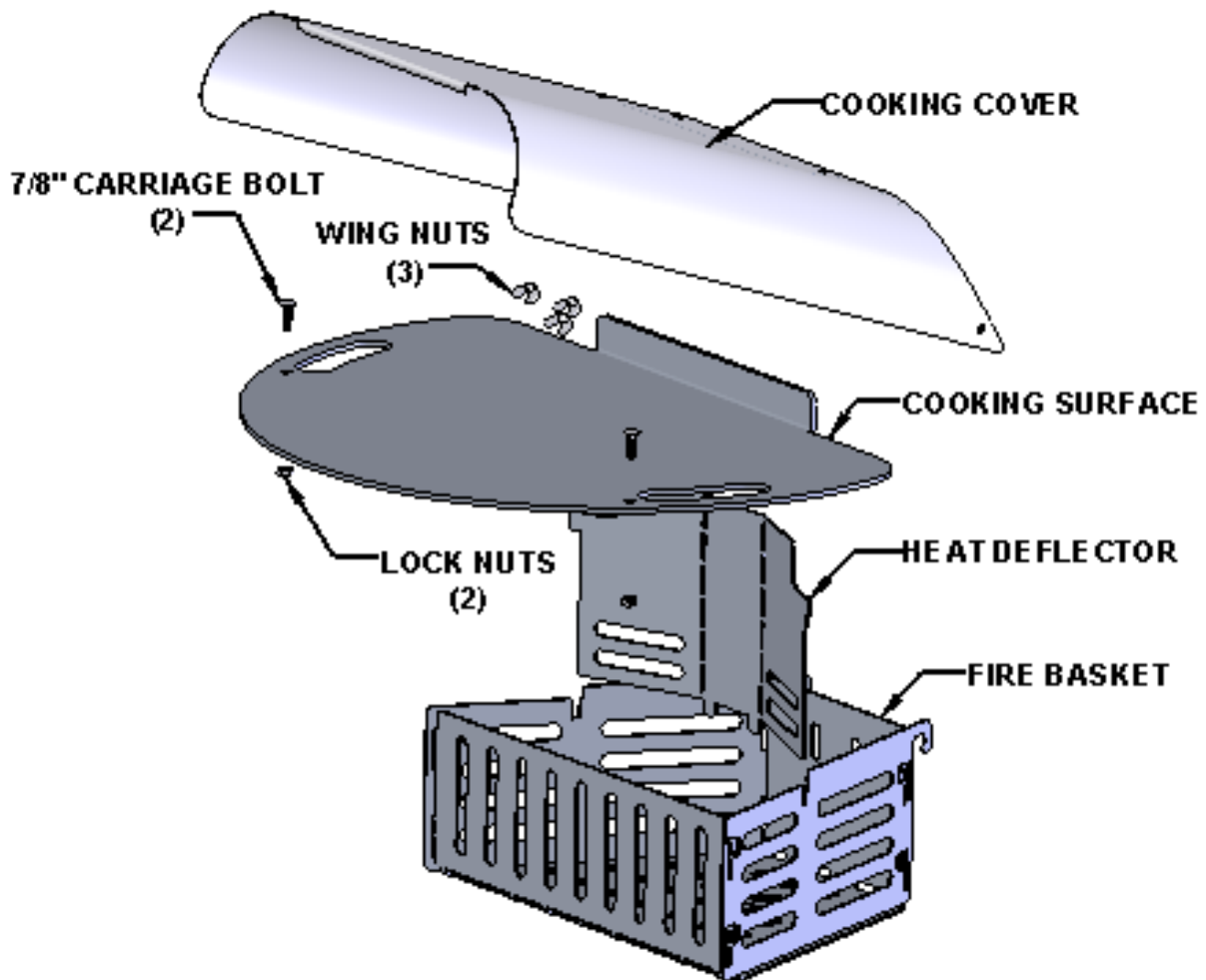


PARTS LIST

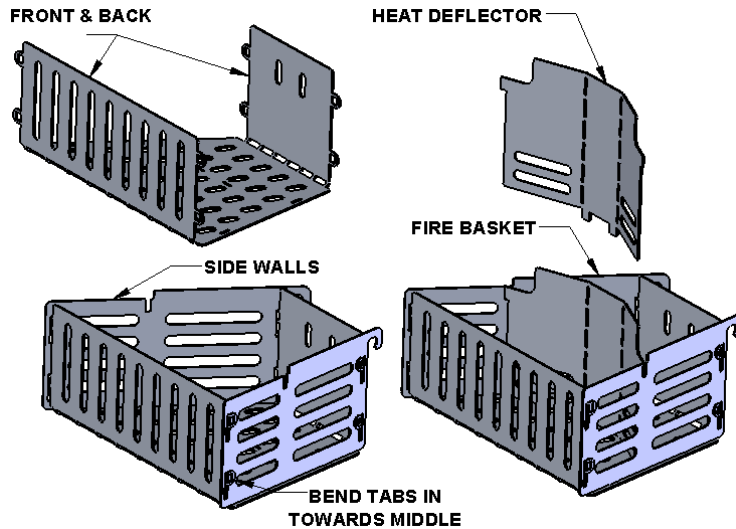


TOOLS NEEDED:

7/16" WRENCH OR SOCKET

HAMMER

STEP 1



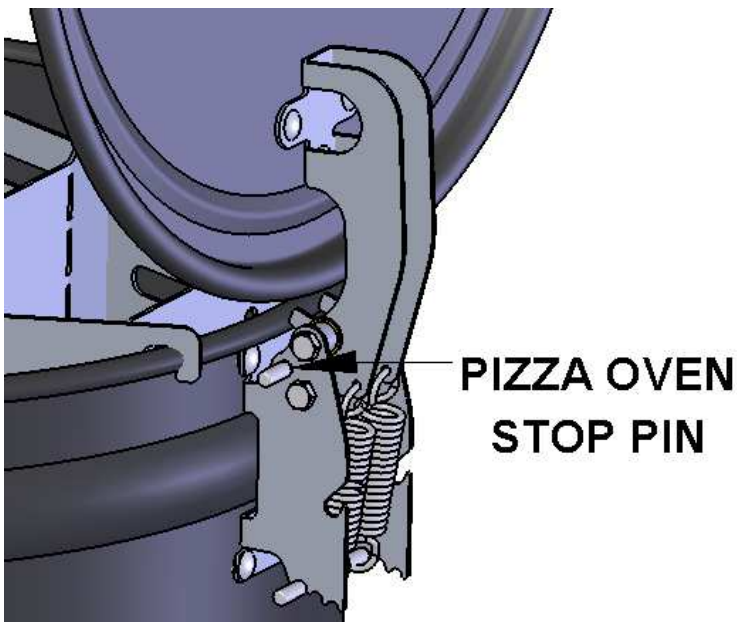
BEND THE FRONT & BACK OF FIRE BASKET UP BY HAND. APPROX. 90 DEGREES. SLIDE IN SIDE WALLS. USING A HAMMER BEND TABS IN TOWARDS THE MIDDLE OF BASKET, 4 ON EACH END & 4 ON THE BOTTOM. BEND THE HEAT DEFLECTOR BY HAND, (2) FORMS, APPROX. 20 DEGREES. SLIDE INTO BASKET BY ALIGNING SLOTS ON THE BOTTOM & NOTCHES ON THE SIDES OF BASKET.

STEP 2



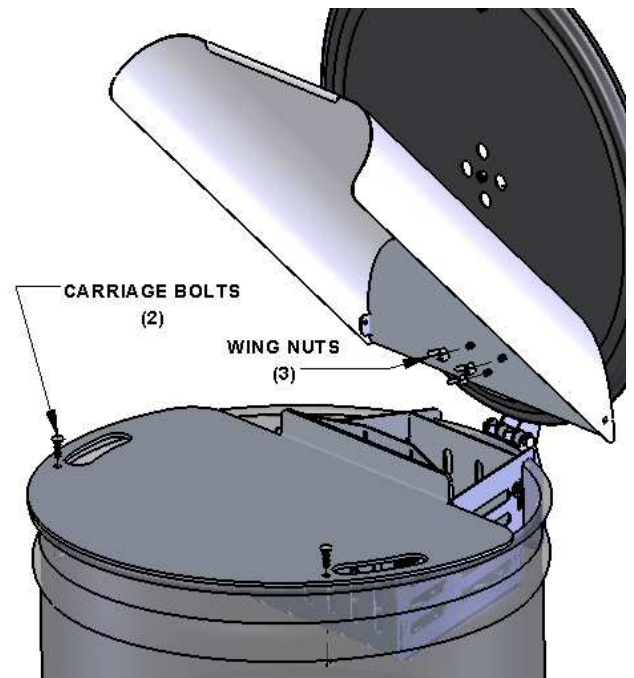
ASSEMBLE FIRE BASKET ONTO DRUM BY ROTATING FIRE BASKET WITH THE HOOKS ONTO THE DRUM RIM. CENTER THE FIRE BASKET TO THE HINGE.

STEP 3



INSERT PIZZA OVEN STOP PIN INTO TOP HOLE ON HINGE

STEP 4



ASSEMBLE CARRIAGE BOLTS (2) TO COOKING SURFACE, WITH LOCK NUTS. AND PLACE ON TOP OF DRUM, WITH CARRIAGE BOLTS TO THE INSIDE OF DRUM. ALIGN THE (3) HOLES ON THE COVER WITH THE (3) BOLTS ON THE LID AND ATTACH COVER WITH (3) WING NUTS.