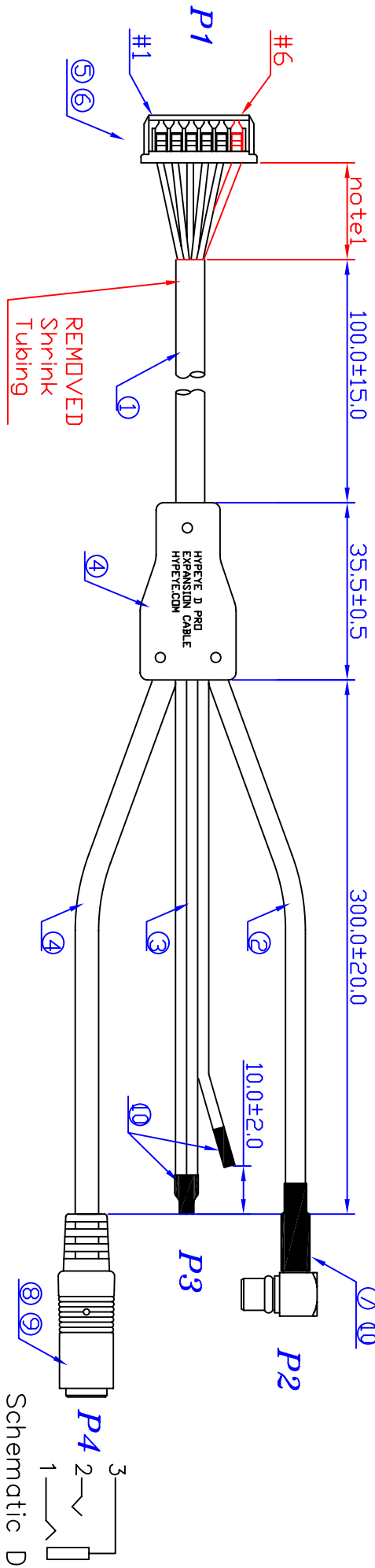


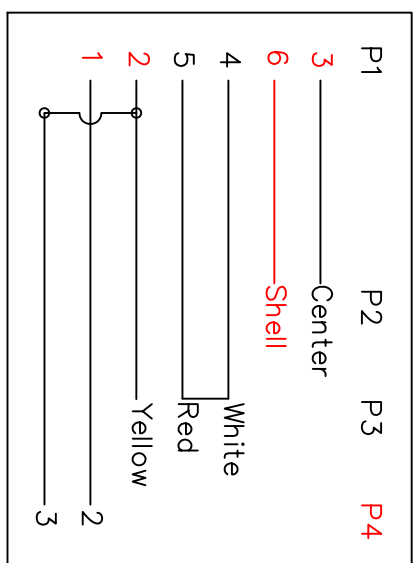
note1: make as short as possible



Schematic Diagram

APPROVED BY
 COMPANY: _____
 PURCHASING/ENGINEER: _____
 DATE: _____

10	Heat shrink tube
9	Outer Molded : 45P PVC , Color : Black .
8	Conn: DC2.5mm stereo jack .
7	Conn: MMCX R/A crimp plug, Gold plated .
6	HSG: 1.25mm pitch (JWT P/N: A1251H02-6P) .
5	Ter: 1.25mm pitch (JWT P/N: A1251TOP-2) .
4	Cable: UL1185 26AWG*1Coax, OD=3.0±0.1mm, Jacket Color: black .
3	Cable: No-marking (26AWG*1Coax)*3C, OD=2.8*8.4mm, Jacket Color: black .
2	Cable: RG-174 Coaxial cable(R=50Ω),OD=3.0±0.1mm, Jacket Color: black .
1	Cable: UL2464 28AWG(7/0.12 TC)*6C, OD=4.0±0.2mm Jacket Color: black .



10	Heat shrink tube
9	Outer Molded : 45P PVC , Color : Black .
8	Conn: DC2.5mm stereo jack .
7	Conn: MMCX R/A crimp plug, Gold plated .
6	HSG: 1.25mm pitch (JWT P/N: A1251H02-6P) .
5	Ter: 1.25mm pitch (JWT P/N: A1251TOP-2) .
4	Cable: UL1185 26AWG*1Coax, OD=3.0±0.1mm, Jacket Color: black .
3	Cable: No-marking (26AWG*1Coax)*3C, OD=2.8*8.4mm, Jacket Color: black .
2	Cable: RG-174 Coaxial cable(R=50Ω),OD=3.0±0.1mm, Jacket Color: black .
1	Cable: UL2464 28AWG(7/0.12 TC)*6C, OD=4.0±0.2mm Jacket Color: black .

X ±	X' ±	NAME:	W1
.X ±	.X' ±	UNITS:	MM
.XX ±	.XX' ±	PART NO.:	SCT-147202
		TITLE:	ASS'Y CABLE
APPD BY	CHECK BY	DRAWN BY	SCALE
			1/1
DWG NO.: RFQ#SCA0180303-02Y SCALE SHEET REV.		DWG NO.: RFQ#SCA0180303-02Y SCALE SHEET REV.	