



Earlex[®]
PRO-8[™]
SPRAY GUN



OPERATING INSTRUCTION MANUAL

Thank you for purchasing the Earlex Pro-8 Spray Gun.

BEFORE USE – PLEASE READ THE MANUAL AND SAFETY INSTRUCTIONS.

Please retain for future reference.



WARNING!

**IMPORTANT: 'WARNING !' alerts user to a specific hazard
Other points are advisory which should be followed for safe use**

**ALWAYS COMPLY WITH THE SAFETY INSTRUCTIONS SUPPLIED WITH THIS PRODUCT
AND THE MATERIAL BEING USED**

Only use the unit as described in this manual. Additional product specific warnings may be found throughout the body of this manual where applicable.



FIRE AND EXPLOSION HAZARD

WARNING! The substances used with this Spray Gun (paints, coatings, solvents, etc.) may contain dangerous, harmful, explosive or corrosive materials.

WARNING! – Use extreme caution when spraying any materials with a flash point lower than 100°F (38°C). Check the technical specifications on the paint or coating container before spraying.

- The Spray Gun must only be used with paints, coatings and solvents that have a flash point suitable for spraying. Consult the paint, coating or solvent manufacturer's instructions and Safety Data Sheets.
- NEVER spray near an open flame including an appliance pilot flame.
- NEVER smoke while spraying.
- DO NOT operate light switches or run engines or similar spark producing products in the spray area if spraying solvents.
- DO NOT use any coatings or material containing any Halogenated Hydrocarbon constituent such as bleach and chlorine.
- Always disconnect unit from mains supply when filling the paint or coating container.
- Keep the turbine in a well - ventilated area.
- Keep the turbine as far removed from the spray area as the air hose will allow especially when using solvent based coatings.



EQUIPMENT MISUSE HAZARD

WARNING! The use of any accessory or attachment, other than those recommended in this instruction manual, may present a risk of personal injury.

WARNING! Use the Spray Gun only for the job it was designed for. Misuse of the Spray Gun will invalidate the guarantee.

WARNING! If the cordset is damaged, it must be replaced with the correct Earlex part to avoid a hazard.

WARNING! To reduce the risk of electric shock do not expose to water. Store indoors.

- NEVER under any circumstances aim the Spray Gun at another person or animal. In the event of an injury seek expert medical advice immediately.
- NEVER carry the turbine while spraying.
- Always ensure there is adequate ventilation when spraying.
- After each use, thoroughly clean the Spray Gun and grease the Fluid Needle.
- This appliance can be used by persons aged from 14 years and above and persons with reduced physical, sensory or mental capabilities or lack of experience and knowledge if they have been given supervision or instruction concerning use of the appliance in a safe way and understand the hazards involved.
- Use only genuine manufacturer replacement parts.
- Always disconnect the unit from the power supply before cleaning.
- If using with 3rd party turbine - refer to manufacturers instructions.



PERSONAL PROTECTIVE EQUIPMENT

WARNING! Noise levels exceed 85dB. Therefore suitable ear protection must be worn.

- Always wear a suitable protective mask when spraying. The use of gloves, goggles and overalls is also recommended.



HOT SURFACE

- **CAUTION:** Outlet of turbine and air hose may become hot during use. Please allow to cool before removing air hose.

INTRODUCTION

This powerful spray system applies coatings faster than brushing or rolling while maintaining a smooth and accurate finish.

The SprayPort® series is designed for the professional decorator and finisher. The latest technology and materials combine to deliver a consistently high performance.

The SprayPort® series is simple to set up using quick-connect fittings and sprays a wide range of paint with or without dilution.

To achieve the desired results only use good quality paint or coating. Keep in mind that low temperatures make paint coating thicker. Therefore use of the Spray Gun is not recommended below a minimum temperature of 55° F (13°C).

The Earlex Pro-8™ is a streamlined, non-bleed die-cast aluminium gun. It has been engineered to provide a superior level of atomization to ensure a flawless finish. The Pro-8™ gun has been ergonomically designed for user comfort and lightweight control. It is reliable and offers easy breakdown for maintenance and simple clean up. Available in both Gravity-fed and Pressure-fed options.



THINNING

Thinning is very important when spraying. Most paints are supplied ready for brush application and may need to be thinned (diluted) for spraying purposes. Follow the manufacturers guide for thinning in conjunction with a spray gun. If in doubt contact the manufacturers of the paint. Paint is “thinned” by adding the substance which the paint is based upon. If a water-based paint then water is added, if oil-based then mineral spirits.

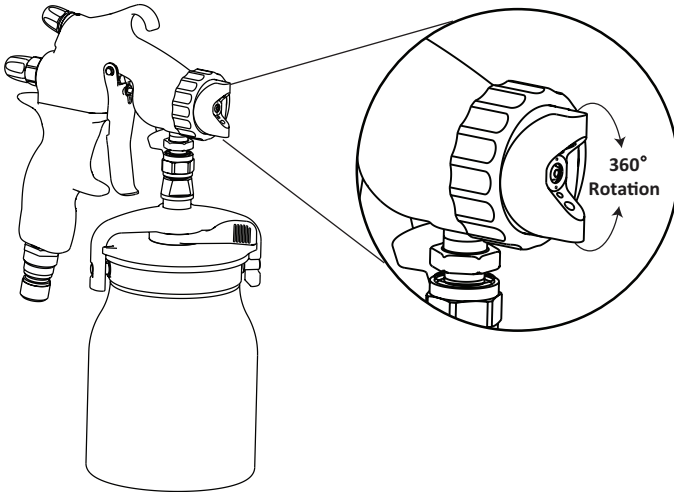
Some paints, wood preservatives and other sprayable materials may contain particles that have grainy material. Please ensure that when filling the paint container of the spray gun that the paint is filtered. This will ensure that no large particles that can cause blockages enter the paint container, providing you with trouble-free spraying. We recommend that a face mask, gloves and goggles are worn at all times when spraying.

VERY IMPORTANT: When spraying for the first time, we recommend you run the motor for 1 to 2 minutes before applying the product. Do not forget that the Fluid Control Adjuster (20/24) controls the volume of paint sprayed, for instance the more the Fluid Control Adjuster is tightened the less paint is sprayed..

SPRAY PATTERN

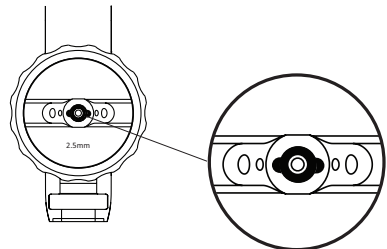
360° SPRAY PATTERN ROTATION

The 360° rotating air cap at the front of the gun allows complete flexibility in any fan angle from horizontal to vertical and everything in between. This is especially useful when working in confined spaces or spraying on odd shaped substrates.



WIDE SPRAY AIR CAP

Exclusive to SprayPort® is the first ever Wide Spray air cap accessory which is supplied with some SprayPort® models. This innovative design sprays up to a 30% wider pattern*, giving you increased productivity.

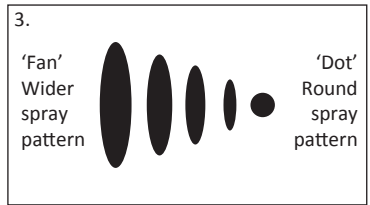
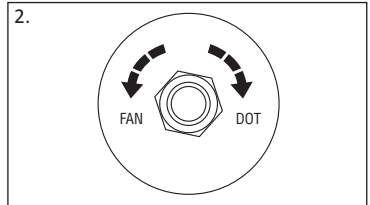
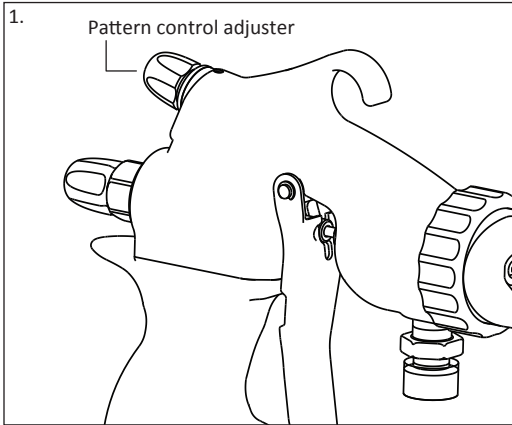


*Compared to the 1.5 - 2.5mm air cap

SPRAY GUN ADJUSTMENTS

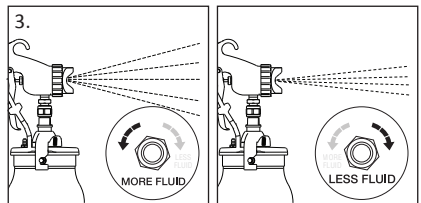
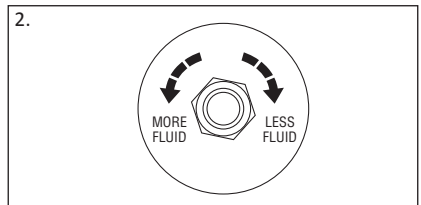
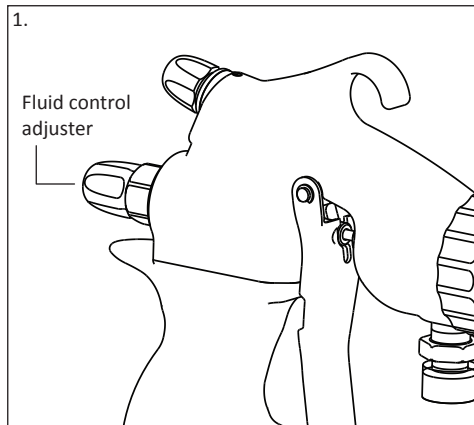
Pattern Control Adjuster

The Pattern Control Adjuster on the Pro-8 spray gun is conveniently placed at the rear of the gun to allow you to easily change the spray pattern without needing to adjust the air cap. The pattern control can be set to either a round pattern for intricate detail work or to an elliptical fan shape which widens as you adjust the pattern adjuster, ideal for different size surfaces.



Fluid Control Adjuster

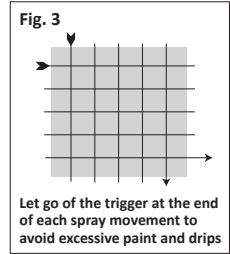
The fluid adjuster is designed with a control dial to provide complete control over the volume of coating sprayed. Whether working on a small or large surface area, this feature allows you to adjust the volume of spray to suit the size of the job.



SPRAYING TECHNIQUE

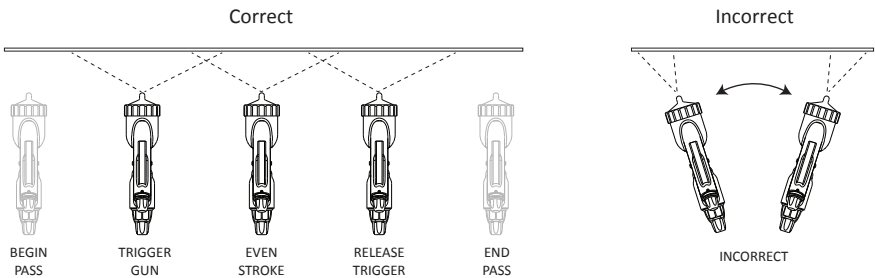
The most commonly used technique for painting a wall is the 'cross-hatch' technique, i.e. you apply the product in horizontal lines and then cross over these lines by applying the product in vertical lines (Fig.3):

1. Adjust the Air Cap to obtain a Vertical spray, then pull the Trigger and move your arm across to the right.
2. When you get to the end of the line, release the Trigger for a moment and then apply the material in the opposite direction just beneath the line you have sprayed.
3. Proceed in this manner applying the material in Horizontal lines overlapping your previous coat by 1/3 to 1/2.
4. Next, adjust the Air Cap to obtain a Horizontal spray and apply the product in vertical lines over the lines you have just sprayed.



Release the trigger to avoid overspraying which will cause the material to run. Cross over the horizontal lines (sprayed with a Vertical pattern) with vertical lines (sprayed with a Horizontal pattern). Only the forearm should move and not the wrist.

The spray gun should always be perpendicular to and approx. 1-8 inches (25-200 mm) from the spray surface. Spray parallel to the surface using controlled smooth passes at an even speed.



SELECTING NEEDLES, FLUID TIPS AND AIR CAPS

When pairing the Pro-8™ Spray Gun needles and aircaps together it is important to look at the markings on both the needle and the aircap. The aircap has the actual size laser marked onto the front of the aircap itself. The needle has a size laser marked onto the shaft.

Below, we have put together a chart showing what the various Aircap sizes we offer for the Pro-8 Spray Gun and the corresponding needle identification numbers which they are paired with.

AIR CAP AND NEEDLE COMBINATION

We have 7 Needle and Fluid Tip sizes available from 0.8mm to 2.5mm. Every Pro-8™ Needle and Fluid Tip is clearly marked with their size to make selection easier.

When selecting your Needle you must have the corresponding Fluid Tip (i.e. 1.8mm Needle to only be used with the 1.8mm Fluid Tip).

However, when it comes to selecting the Air Cap, you can use them with a range of Needle / Fluid Tip sizes to gain different spray effects.

The table below shows which Air Caps are compatible with Needle / Fluid Tips.

Air Cap	Needle Size	0.8mm	1.0mm	1.3mm	1.5mm	1.8mm	2.0mm	2.5mm
PACC30	0.8-1.0mm	Light → Heavy						
PACC31	1.0-1.5mm		Light → Heavy					
PACC32	1.3-2.0mm			Light → Heavy				
PACC33	1.5-2.5mm				Light → Heavy			
PACC34	2.5mm (wide)							Heavy

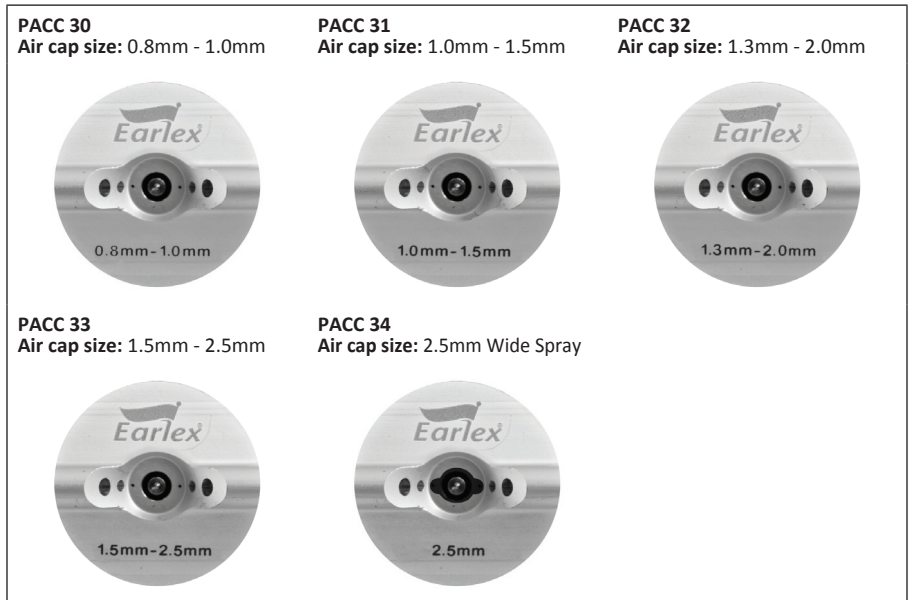
Light = Light Spray
Heavy = Heavy Spray

AIR CAP RANGE

The Pro-8™ Spray Gun is supplied as standard with the 1.3mm - 2mm. This Air Cap is compatible with the 1.3mm, 1.5mm 1.8mm & 2mm Needle and Fluid Tips.

There are 5 Air Cap sizes available, each suitable for a different range of Needle and Fluid Tips. To make selection easy, each Air Cap is marked with a suitable Needle / Fluid Tip size range.

Air Cap PACC34 (2.5mm) is the Wide Spray Air Cap, designed to produce a 30% wider spray when used with the 2.5mm Needle / Fluid Tip.

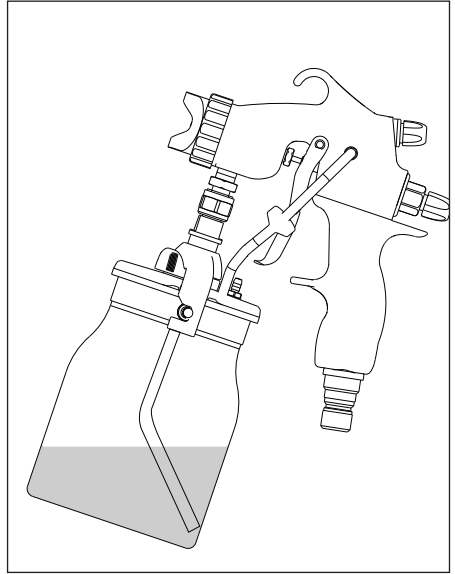
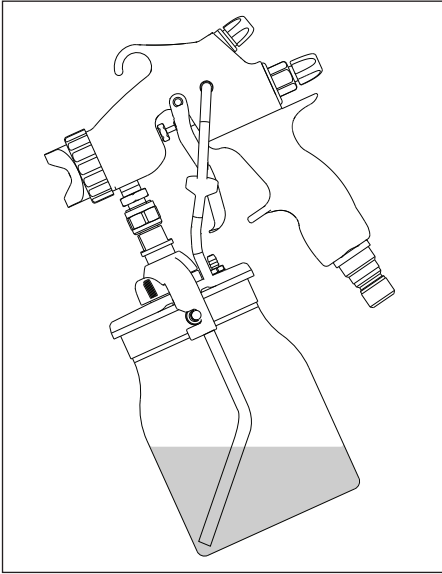


ADJUSTING THE PICK UP TUBE

The adjustable swivel pick-up tube allows you to spray at almost every angle. To swivel the pickup tube release the paint container from the spray gun, wipe the pick-up tube to remove any paint and with a firm grip rotate 180 degrees..

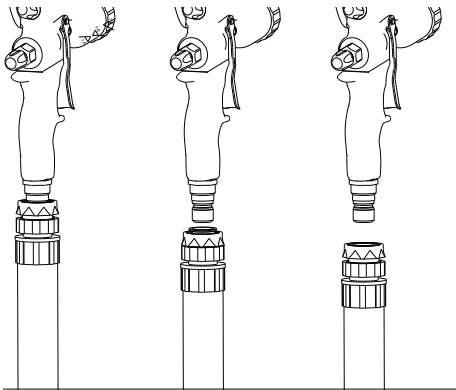
Spraying downwards

Spraying upwards



CONNECTING THE SPRAY GUN TO THE AIR HOSE

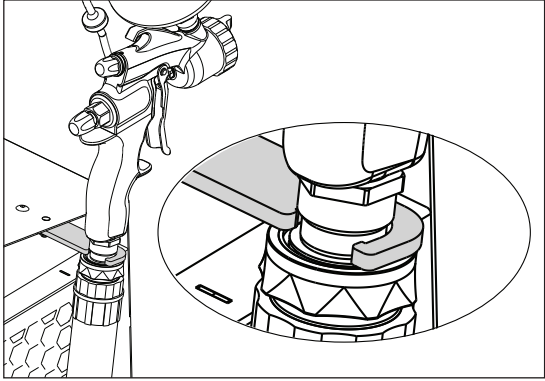
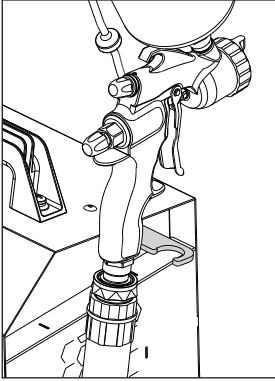
The Spray gun and hose comes with a Quick Connect feature for a fast & simple connection. This allows you to remove the gun effortlessly mid-way through a job for refilling of the paint container.



DOCKING THE GUN

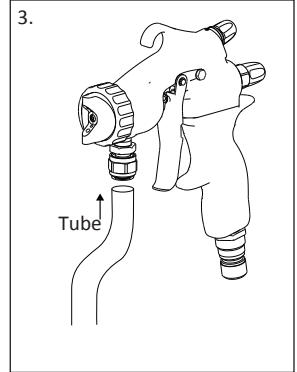
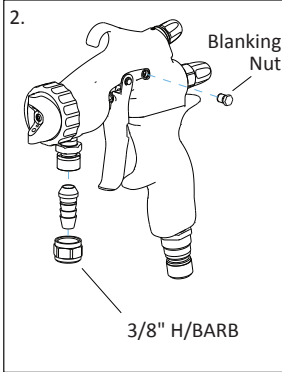
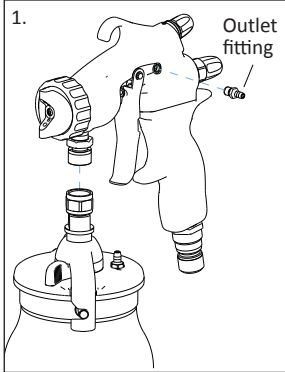
The unit is provided with a retractable swivel arm on the side of the turbine. The gun can be conveniently placed in this docking area with or without the air hose attached.

This makes for handy storage of the gun when in use or not.



SPRAYING WITH PRESSURISED PAINT CONTAINERS

Using a pressurised paint container with your Pro-8™ spray gun is very easy. All you need is the converter 3/8" H/BARB - GUN TO P/POT (PACC74). This connector allows you to connect directly to the pressurised paint container via the tube.-



Follow these steps to convert your Pro-8™ spray gun:

1. Disconnect the air feed tube from the side of the spray gun.
2. Remove the outlet fitting and install the blanking nut P0062) that comes with PACC74 – 3/8" Converter.
3. Connect the paint tube.

NOTE: Converter (PACC74) is not recommended for use with gravity version.

CLEANING INSTRUCTIONS FOR YOUR SPRAY GUN

TYPE OF MATERIAL	CLEANING
Water-based material	Clean with water
Oil-based material	Clean with mineral spirits, rinse with water
Lacquers	Clean with lacquer thinner, rinse with water

BASIC CLEAN - AFTER EVERY USE & CHANGES OF MATERIAL COLOUR

- Open paint container and pour any left over material from the Pro-8™ gun cup back into its container so that it can be used for the future. Pull the trigger to allow material to run out of the pick-up tube.
- Pour a quantity of the appropriate cleaning solution into the cup, shake the spray gun lightly, reassemble the spray gun, then spray through the spray gun. Repeat this process until the appropriate cleaning material being sprayed is coming through clear. Repeat this with warm soapy water and leave to dry.
- Clean paint container seal.

DEEP CLEAN - BEFORE STORAGE

- Perform basic clean
- Unscrew Air Cap Ring.
- Remove Air Cap.
- Using a 13mm wrench or socket remove the Fluid Tip.
- Place all of these items into a container and clean, using a brush and appropriate thinners.
- Clean the inside of the body of the Spray Gun.
- Rinse gun body and all components with warm soapy water to remove trace of thinners.
- Leave the gun body and components ventilated to thoroughly dry.
- Reassemble parts.

PROBLEM	CAUSE	ACTION REQUIRED
The paint runs or sags	Paint too diluted	Add undiluted paint
	Paint output too high	Reduce the paint output by turning Fluid Control Adjuster clockwise
	Moving too slowly	Increase speed of application
	Spray trigger held too long	Release Trigger sooner
	Spray Gun too close	Increase the distance between the Spray Gun and the work-piece
Paint is too thin or irregular	Paint too diluted	Add undiluted paint
	Paint output too low	Increase the paint output by turning Fluid Control Adjuster counter clockwise
	Moving too fast	Reduce speed of application
	Spray Gun clogged	Clean the Spray Gun
	Spray Gun too far away	Move the Spray Gun closer to the work-piece
No paint being released	Paint too thick	Dilute
	Fluid tip clogged	Clean the Fluid Tip
	Pick-up tube clogged	Clean Pick-Up Tube
	Air hose split	Replace Air Hose
	Air feed tube split	Replace Air Feed Tube
	Grainy Paint	Filter the paint
	Paint container almost empty	Refill Paint Container
	Spray Gun at an angle	Check that the Pick-Up Tube is pointing towards the paint
	Filter - Clogged	Remove/replace cup filter
Paint leaking from the gland nut in front of the trigger	Gland seal not attached or the wrong way round or not tight enough. Over time the gland seal will wear and need adjusting	Reattach the Gland Seal and retighten Gland Nut. To check the gland nut is correctly fitted you will need a small adjustable wrench. Pull the Trigger back and gradually tighten the Gland Nut but by turning it clockwise until the Needle is not free to move when the Trigger is released
Too much paint in the area	You move your wrist	Move your forearm instead

PLEASE NOTE: We have done all we can to ensure that, when used correctly and in accordance with these instructions, the unit has a long and fault-free life. We accept no responsibility for damage caused by the use of incorrect or unsuitable substances, paints or liquids which have not been thinned correctly or which are not suitable for the surfaces to which they are applied, health hazards arising from a lack of ventilation when working in confined spaces or equipment which is faulty due to inadequate cleaning of the components after use. If in doubt, test a small inconspicuous area first. Always read the manufacturer's instructions before use. Neither our warranty nor the above statement affects your statutory rights.

Turbine Design Registration

ECD 002307868-0003

CN 201330263092.9

CN 201330262777.1

US applied for



Spray Gun Design Registration

ECD 002307868-0001

ECD 002307868-0002

CN 201330263092.9

CN 201330262777.1

US applied for

All rights reserved © 2015

EARLEX WILL ACCEPT NO RESPONSIBILITY FOR THE USE OF THIS PRODUCT IF USED FOR ANY PURPOSES OTHER THAN THOSE DETAILED HEREIN.

24 Month Guarantee

Earlex automatically issues a 1 year guarantee on your new Earlex product. To upgrade to a 2 year guarantee for free, please register here www.earlex.com within 30 days of purchase.

The guarantee is effective from the date of purchase against defects in materials or workmanship. This guarantee does not cover abuse, accidental damage, misuse, normal wear parts, motor brush replacement or spray gun maintenance & clean up. The guarantee is void if repairs are made or attempted by unauthorised persons. At our option, Earlex will repair or replace defective parts without charge provided the purchaser return products prepaid to the nearest authorized service center or to the factory. Factory returns must first receive a Return Material Authorization.

Please call 1-888-783-2612

In other countries please call the company where you originally purchased the product.

Earlex will not be held liable if equipment is not used solely for the purpose it was designed. Guarantee will become void through improper installation or operation. Any modifications to the equipment or deviations from the recommended procedures, accidental damage or any related action that impairs or abuses intended use and care of Earlex equipment will also void guarantee and liability. In the event of rentals, this guarantee period is restricted to 6 months.



Wagner Spray Tech Corporation

1770 Fernbrook Lane
Plymouth, MN 55447

Helpline telephone no: 888-783-2612

www.earlex.com