

TSC-2911 Apex Floorboard INSTALLATION INSTRUCTIONS



THRASHIN[®]

SUPPLY COMPANY

Disclaimer: This installation should be performed by an experienced mechanic who has access to a factory service manual and all required tools.

Incorrect installation can cause damage not covered under warranty. Failure to install components correctly CAN result in serious injury to motorcycle, operator, passenger, and/or others.

Step 1: Install scrape plate using supplied 8-32" x 1/4" BHCS screw and a dab of loctite. **(Figure 1)**

Step 2: Install floorboard clevis's using supplied 1/4-20 x 7/8" SHCS and a dab of loctite. **(Figure 2)**

Step 3: Remove stock floorboards by removing the two shoulder bolts on each side. **(Figure 3)**

Step 4: Install your new kickass floorboards re using existing shoulder bolts and a dab of loctite. **(Figure 4)**

Step 5: Verify that all hardware is properly tightened.

Step 6: GO RIDE!

Figure 1

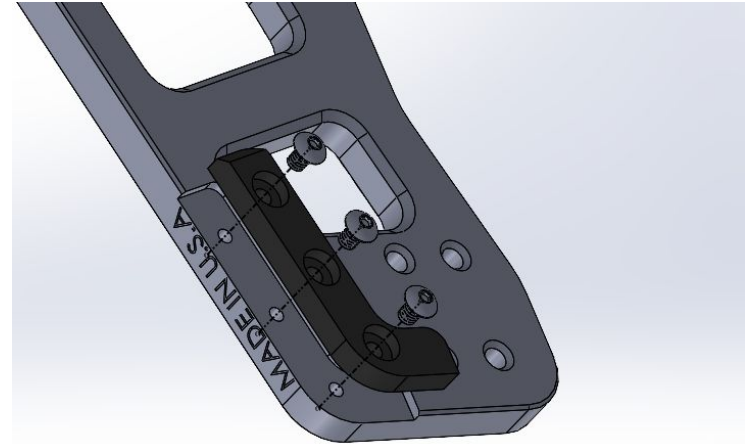
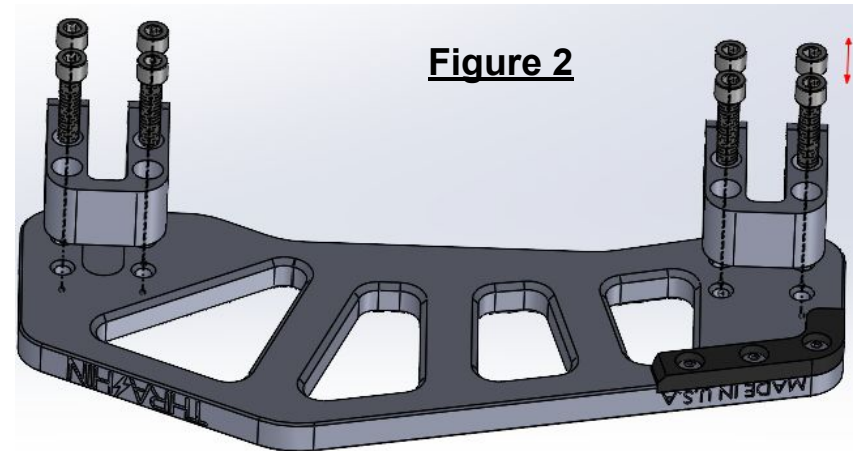


Figure 2



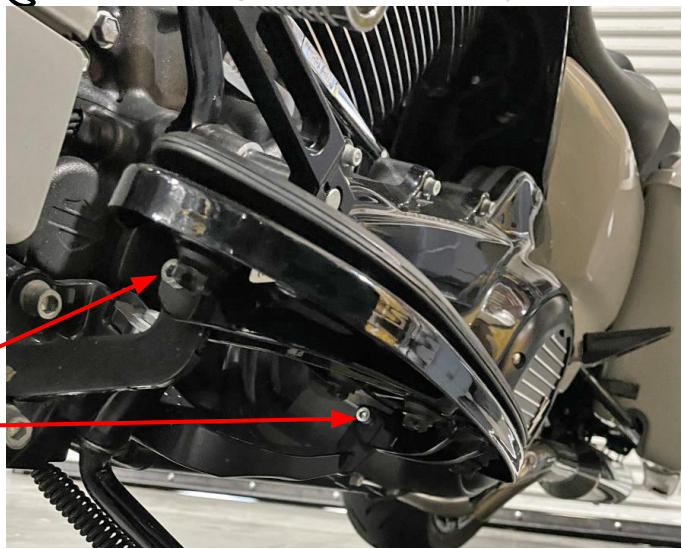


THRA-HIN[®]

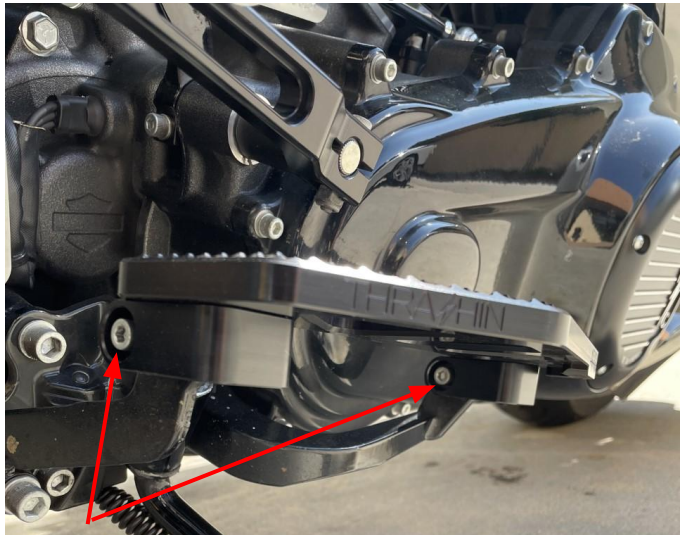
SUPPLY COMPANY

Figure 3

Figure 4



Remove and save
for install



Install using OEM shoulder bolts

Optional Accessories



TAIL EXTENSION



1/2" LIFT KIT



EXTENDED LIFT KIT