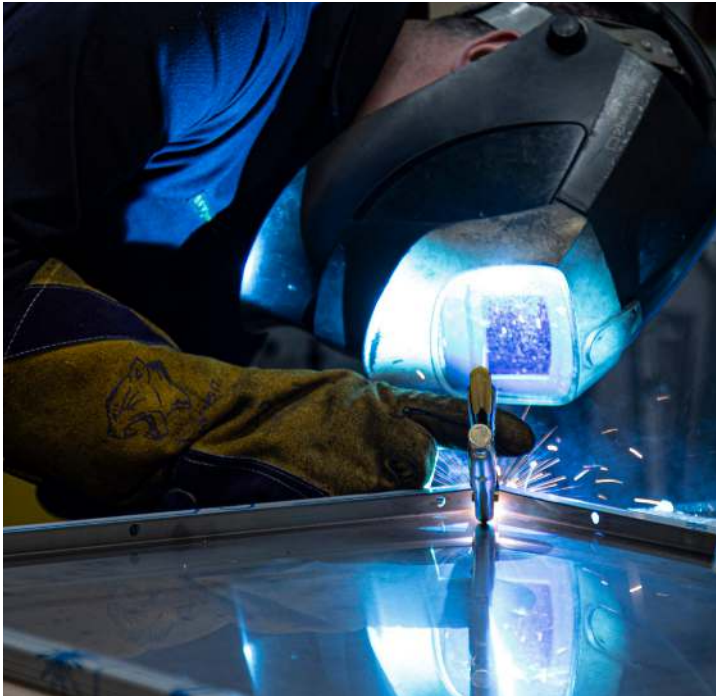


VLAZE

MODULAR FURNITURE FOR
INDOOR & OUTDOOR LIVING





VLAZE

MODULAR FURNITURE FOR
INDOOR & OUTDOOR LIVING

VLAZE ADAPT is an innovative collection of modular and freestanding furniture that can be moved freely from indoors to outside.

Designed for outdoor living these pieces offer the perfect solution for food preparation and al fresco dining.

The kitchen modules are engineered from stainless steel and adorned with a vitreous enamel surface while the dining tables and planters use a combination of powder coated steel and vitreous enamel. This durable, weather proof enamel surface finish is guaranteed for 25 years and is created by fusing powdered glass to steel at temperatures in excess of 800°C. The result is a luxurious vibrant glaze that is heatproof, hygienic and stain resistant.

VLAZE is British made on the Isle of Wight by the makers of the iconic signage for the London Underground and the Paris Metro.



“kitchen units that adapt to your cooking and lifestyle”

DESIGNED FOR BEAUTY

VLAZE surfaces are uniquely inviting. The high gloss vitreous enamel is wonderfully tactile, encouraging a hands-on approach that lends creative expression to the food you love. From rolling out dough to scattering flour or drizzling olive oil, you'll find your VLAZE unit and its durable, easy-clean surface adapting to your cooking and lifestyle.

MADE FOR ENTERTAINING

Take your dining al fresco, ADAPT units form the centrepiece to gather friends and family around. Simply wheel into position on your terrace, deck or balcony and you have the perfect station for preparing food, serving meals and hosting drinks. Ample internal storage teamed with ingenious magnetic pots mean everything is close to hand – preventing interruption to your flow.

BUILT TO LAST

It's rare that something beautiful can offer so much practical functionality. The standout build quality makes VLAZE ADAPT kitchen units beloved pieces of furniture that quickly become an indispensable part of modern outdoor living.

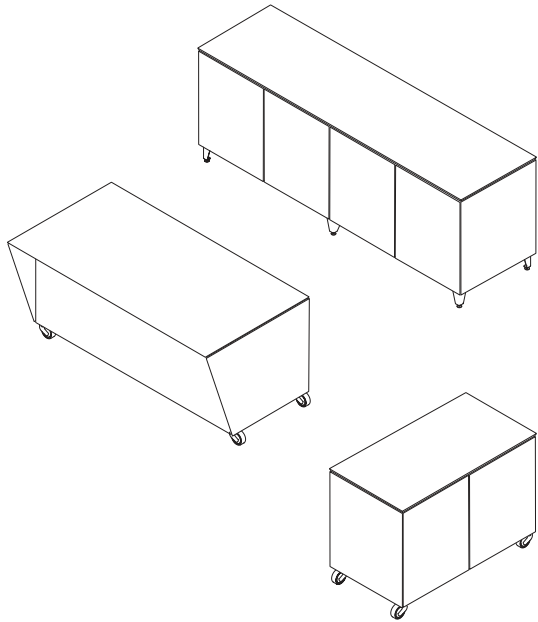


FOLLOW @VLAZESURFACE

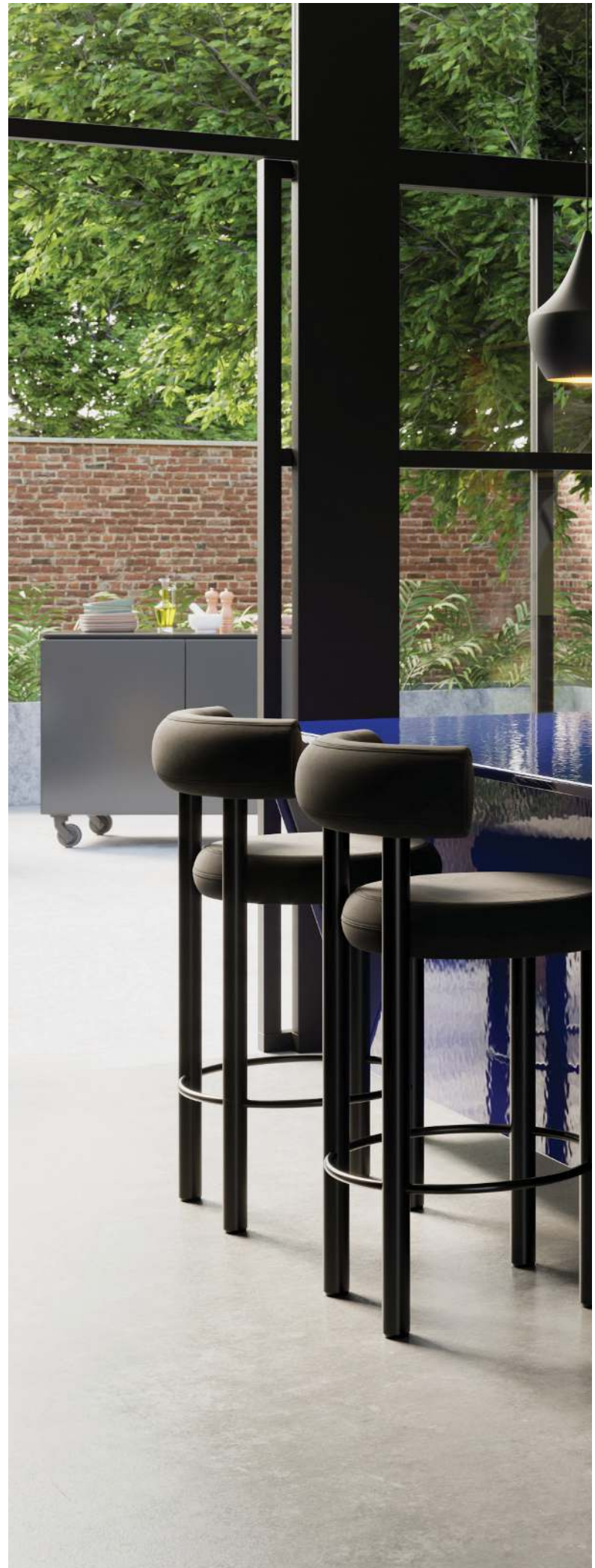


VLAZE THE INSIDE OUT KITCHEN

An open plan kitchen that utilises the free moving ADAPT ISLAND and 120 ADAPT to connect the inside with the outside. The inside element of this kitchen features a fixed 240 ADAPT unit while the two movable units can be used indoors or out making for a beautifully versatile space.



120 ADAPT C in Quilted Graphite
ADAPT ISLAND in Indigo Stipple
ADAPT 240 in Quilted Graphite



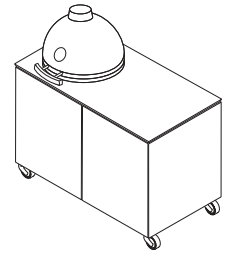




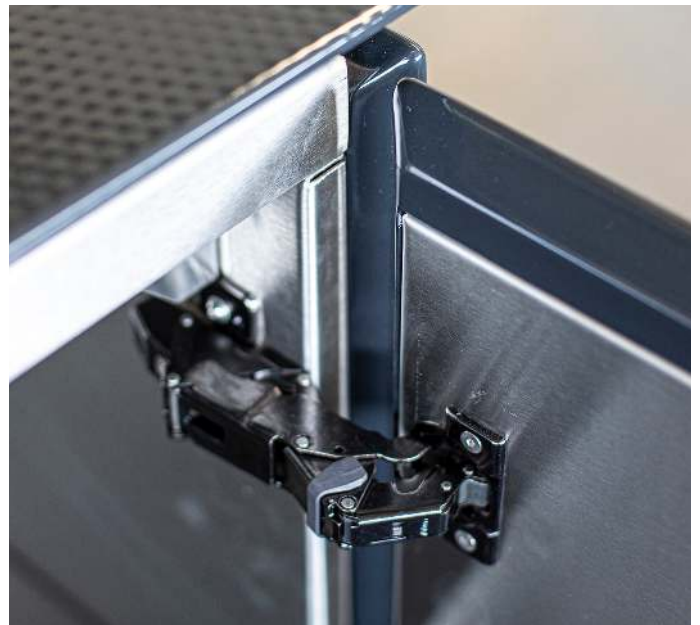


VLAZE THE LONDON COURTYARD

In this compact urban courtyard the 120 BARBECUE provides a space saving area dedicated to food preparation and cooking plus ample storage for kitchen equipment, utensils and fuel.



120 BARBECUE C in Quilted Graphite featuring large Big Green Egg



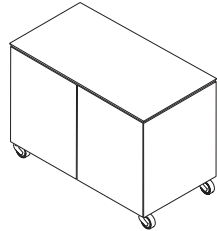
German engineered BLUM Onyx soft close hinges



VLAZE

THE GARDEN PAVILLION

The 120 ADAPT incorporated into this outdoor living room by 2LG Studio. This versatile unit can serve as a cocktail cabinet or food preparation area creating a striking focal point for this outdoor summer pavillion.



120 ADAPT C in Indigo Stipple

Bespoke table top in matching Indigo Stipple



A luxurious surface finish that offers unrivalled practicality



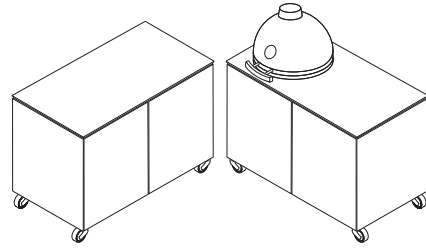







VLAZE THE KITCHEN TERRACE

The combination of a 120 ADAPT with a 120 BARBECUE creates an instant, outdoor kitchen for food preparation, cooking and entertaining.



 120 ADAPT C in Black Splatter
120 BARBECUE C in Quilted Graphite
featuring Big Green Egg



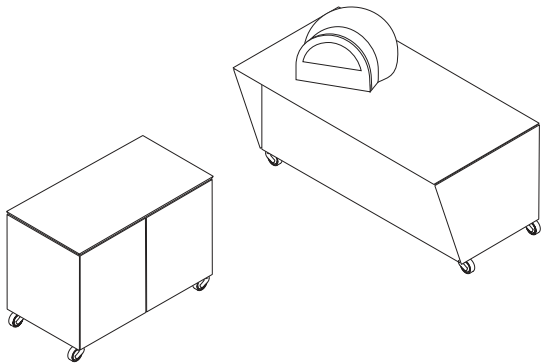
Ample storage and surface space for your hosting needs



VLAZE

THE KITCHEN GARDEN

The ADAPT ISLAND used as the perfect pizza station in this bright kitchen garden terrace. The heat proof finish allows the pizza oven to be placed directly on the unit. The addition of a matching 120 ADAPT provides additional food and drink preparation. When not cooking outside the units can be repurposed for use indoors.



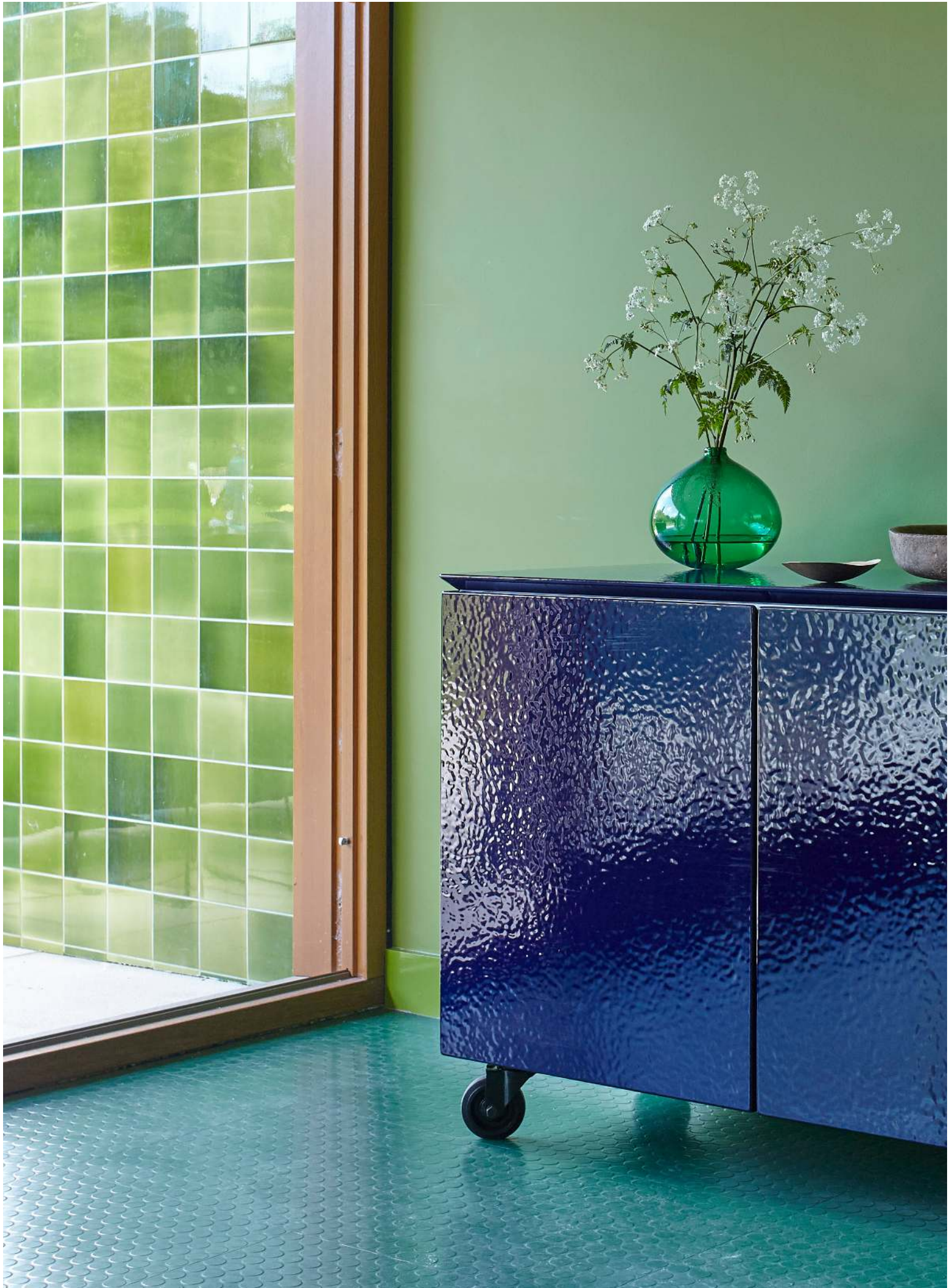
120 ADAPT C in Indigo Stipple
ADAPT ISLAND in Indigo Stipple
featuring DeliVita Pizza Oven



Reconfigure the units with ease; from food preparation station to mobile bar









ADAPT Magnetic Pots to keep herbs and utensils at easy reach



Heatproof surface is both beautiful and practical



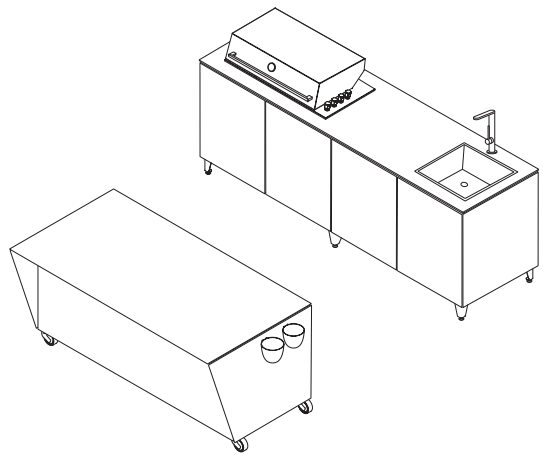
Engineered 304 stainless steel carcass with sturdy shelves for those pots and pans



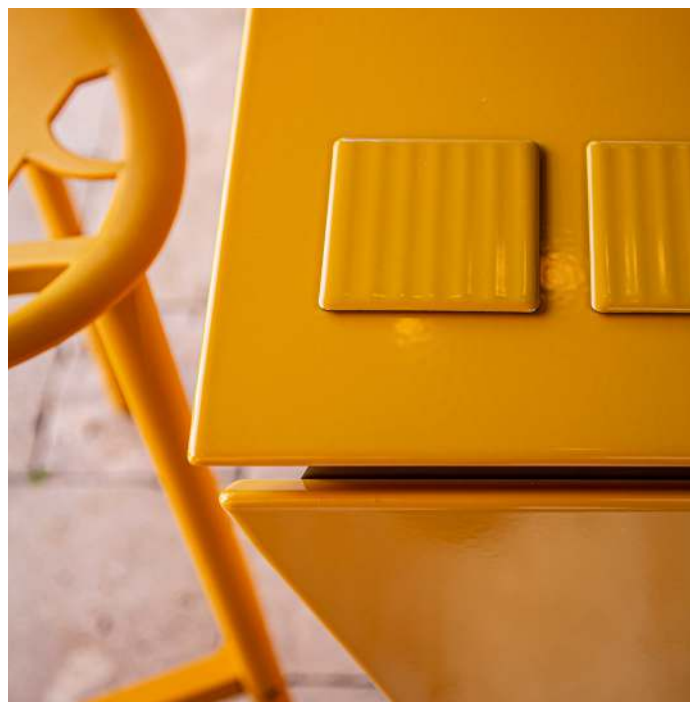


VLAZE VIBRANT DINING

The 240 KITCHEN GRILL unit with its integrated sink and Beefeater Grill and the free moving ADAPT ISLAND are perfectly suited to terrace dining. Together, they form a versatile kitchen and entertainment space with storage for all your needs. Allowing you to prepare delicious food and drinks, while providing a focal point capable of hosting large gatherings.



240 KITCHEN GRILL L in Ochre
featuring Beefeater Grill & Caple sink & tap
ADAPT ISLAND in Ochre
ADAPT MAGNETIC POTS in Graphite



Create a statement kitchen with bright ochre vitreous enamel



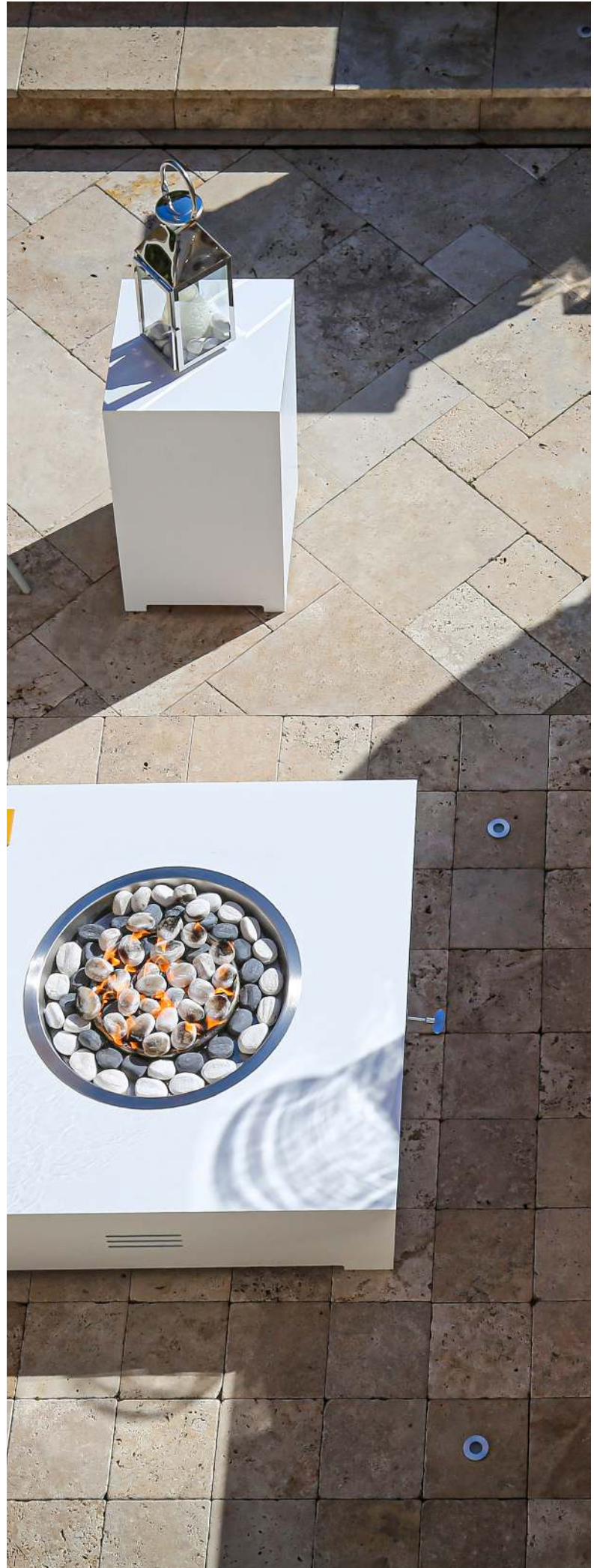
Inbuilt sink & tap makes food preparation simple meaning more time with your guests

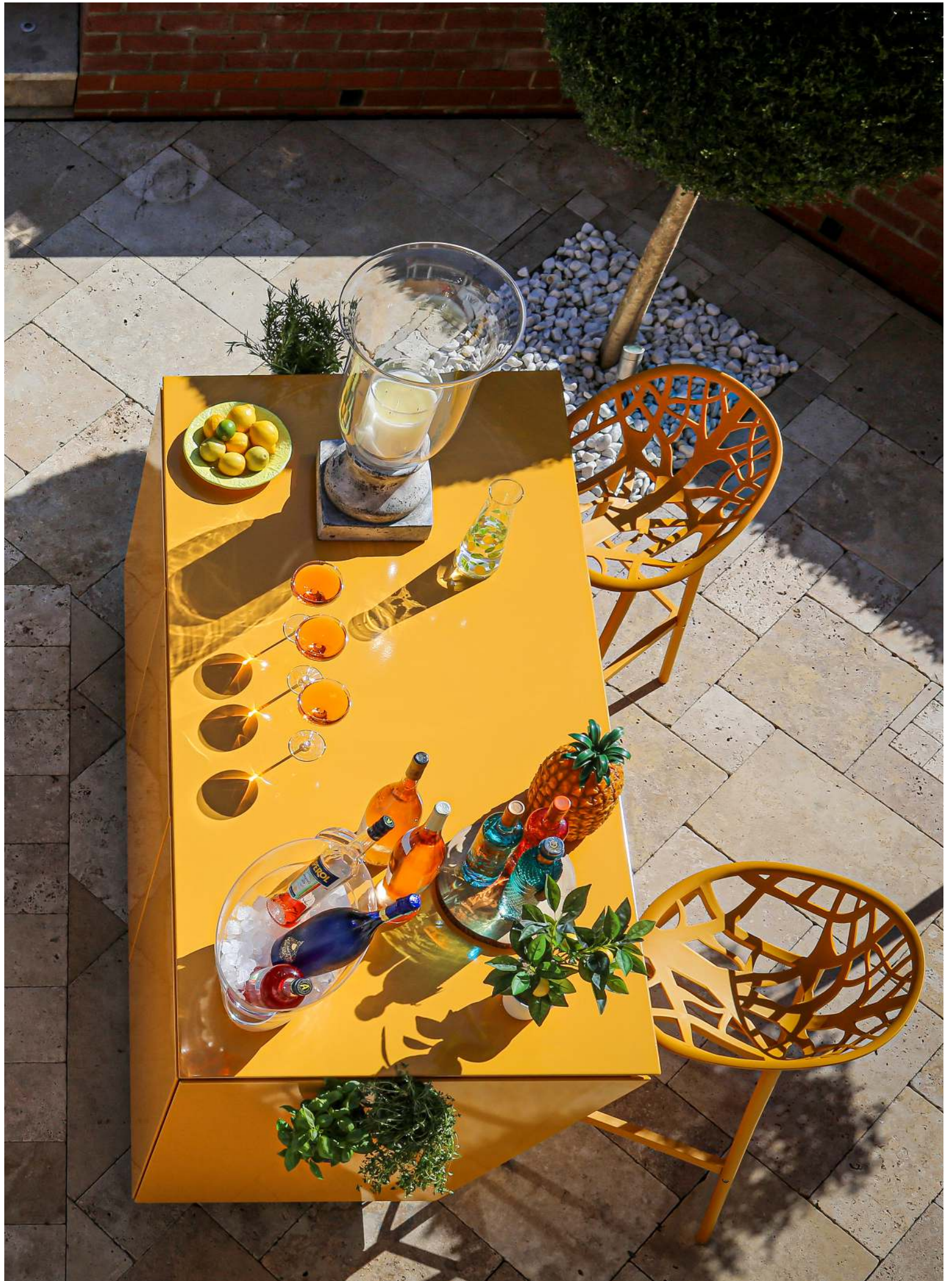


The perfect serving station for drinks and food



240 KITCHEN GRILL equipped with a high performance Beefeater Grill

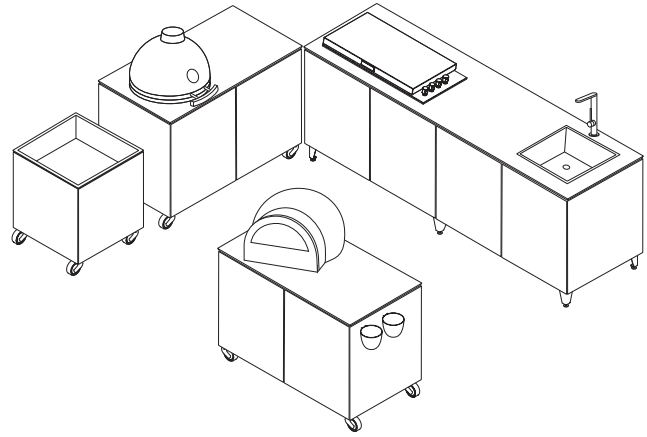




VLAZE

THE COUNTRY GARDEN

A full complement of ADAPT furniture and accessories creates the perfect outdoor cooking and entertaining space in this classic Cotswolds garden. A LOW PLANTER, the 120 ADAPT, the 120 BARBECUE and the 240 KITCHEN GRILL with an integrated Beefeater Grill provides everything you need be it a meal for two or full catering for a summers evening party.



ADAPT LOW PLANTER in Quilted Graphite
120 ADAPT C in Quilted Graphite
120 BARBECUE C in Quilted Graphite featuring Big Green Egg

240 KITCHEN GRILL L in Quilted Graphite
featuring Beefeater Signature Proline® Grill & Caple sink & tap
ADAPT MAGNETIC POTS in Graphite





A luxurious and practical surface finish



Keep those herbs at easy reach with ADAPT Magnetic Pots





Sharknose detailing for a contemporary aesthetic



Strong sturdy castors make movement effortless with a built in brake for safety



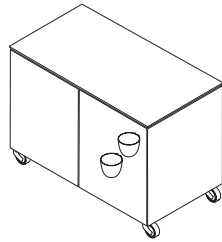
The Beefeater Slimline Grill complements the units clean lines





VLAZE THE MODULAR KITCHEN

The 120 ADAPT is used as an additional preparation and storage space for this kitchen area. The castors allow it be moved and reconfigured around the space.



120 ADAPT C in Black Splatter



The perfect kitchen companion both inside and out



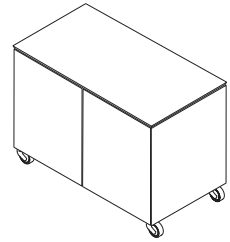




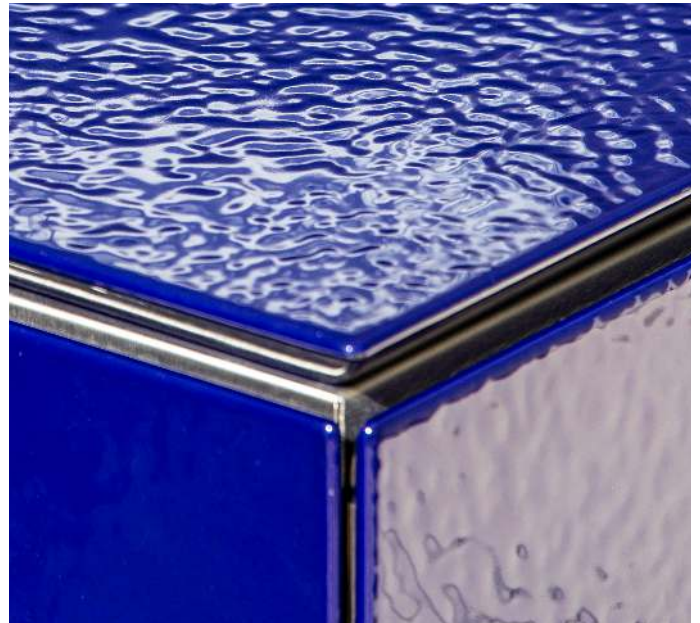


VLAZE POOLSIDE COMPANION

The 120 ADAPT, with its durable, weatherproof enamel finish and ample storage make it the perfect poolside companion. It's a versatile unit that can be moved freely to suit your lifestyle. Available in a range of stunning finishes that always bring the sunshine.



ADAPT 120 C in Indigo Stipple

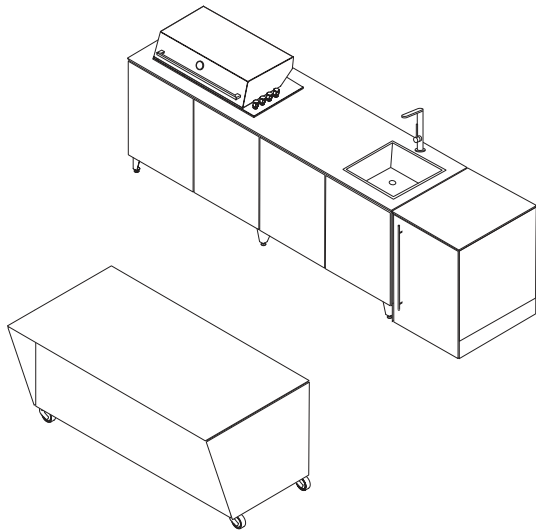


Attention to detail with crisp shut lines



VLAZE ADAPT ENTERTAINING

The ADAPT ENTERTAINING is one of our favourite suggested kitchen layouts. It offers everything you need to prepare delicious meals and serve drinks as the sun goes down. The addition of the ADAPT ISLAND gives a focal point to the kitchen and a place in which to gather your guests.



240 KITCHEN GRILL L in Ochre
featuring Beefeater Signature Proline® Grill & Caple sink & tap
ADAPT FRIDGE in Ochre
featuring Blastcool XP1 Fridge
ADAPT ISLAND in Ochre



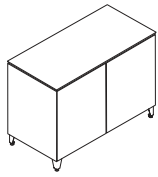
The ADAPT FRIDGE can be placed next to any ADAPT module or stand alone



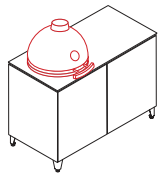


THE VLAZE ADAPT COLLECTION

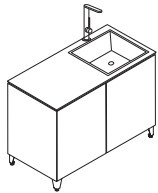
120 ADAPT



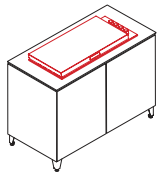
1200 x 700 x 900
Vitreous enamel / stainless steel
5 colour options
2 base options (SINK legs only)



120 BARBECUE
Unit designed to house large
Big Green Egg*

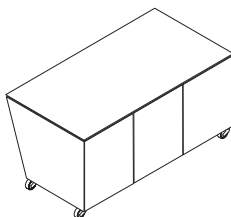


120 SINK
Unit with stainless steel Caple
Mode 045 sink & tap
Leg base only

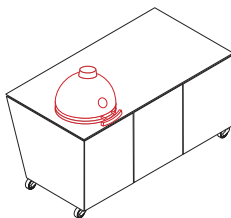


120 GRILL
Unit designed to house
Beefeater Signature Proline
gas Grill*

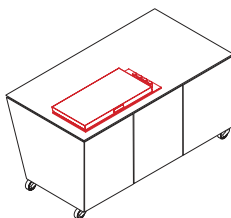
ADAPT ISLAND



1800 x 950 x 900
Vitreous enamel / stainless steel
5 colour options
Castor base only

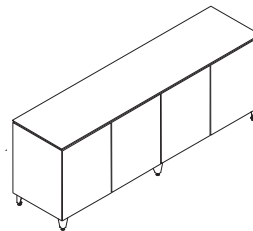


BARBECUE ISLAND
Unit designed to house large
Big Green Egg*

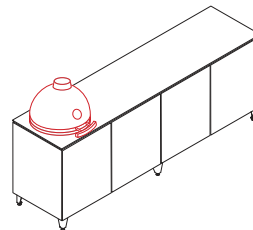


GRILL ISLAND
Unit designed to house Beefeater
Signature Proline gas Grill*

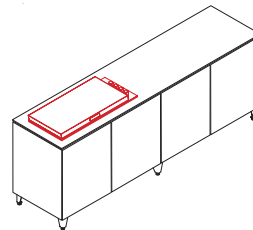
240 ADAPT



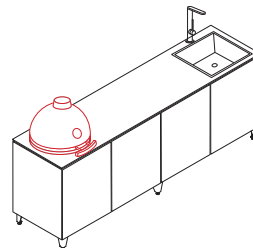
2400 x 700 x 900
Vitreous enamel / stainless steel
5 colour options
2 base options



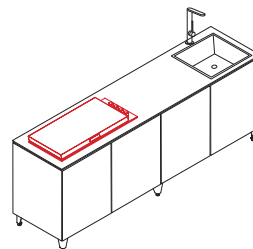
240 BARBECUE
Unit designed to house large
Big Green Egg*



240 GRILL
Unit designed to house
Beefeater Signature Proline
gas Grill*

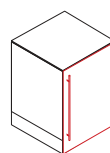


240 KITCHEN BARBECUE
Unit with stainless steel Caple Mode
045 sink & tap with optional large
Big Green Egg*



240 KITCHEN GRILL
Unit with stainless steel Caple
Mode 045 sink & tap with
optional Beefeater Signature
Proline gas Grill*

ADAPT FRIDGE

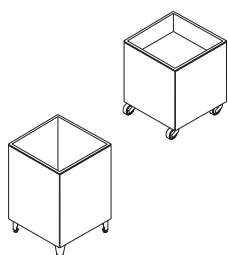


600 x 700 x 900
Vitreous enamel / stainless steel
5 colour options
Unit designed to house Blastcool
XP1 Fridge*

ENAMEL FINISH: VLAZE enamels are milled in-house using natural compounds and oxides therefore batches may differ slightly in colour and finish. This is part of the unique, organic character of vitreous enamel. All dimensions in mm.

*Optional appliances sold separately

ADAPT PLANTER



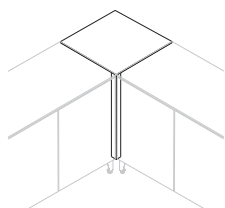
LOW 600 x 600 x 600
HIGH 700 x 700 x 900
 Vitreous enamel / galvanised steel
 Drop-in tray options
 5 colour options
 2 base options

ADAPT COLOUR



Quilted Graphite

ADAPT CONSTRUCTION CORNER

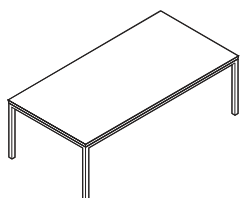


700 x 700 x 900
 Vitreous enamel / stainless steel
 5 colour options
 Create a fixed corner
 multiple options available



Black Splatter

ADAPT DINING TABLE



2000 x 950 x 750
 Vitreous enamel / Steel base
 5 colour options



Indigo Stipple

ADAPT BASE OPTIONS

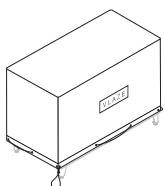


Heavy-duty Castors (C)
 Stainless steel Legs (L)



Ochre

ADAPT ALL WEATHER COVER

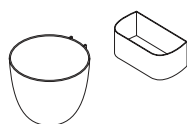


Breathable all weather cover
 in mid grey available for all
 ADAPT furniture



Nori

ADAPT MAGNETIC POTS



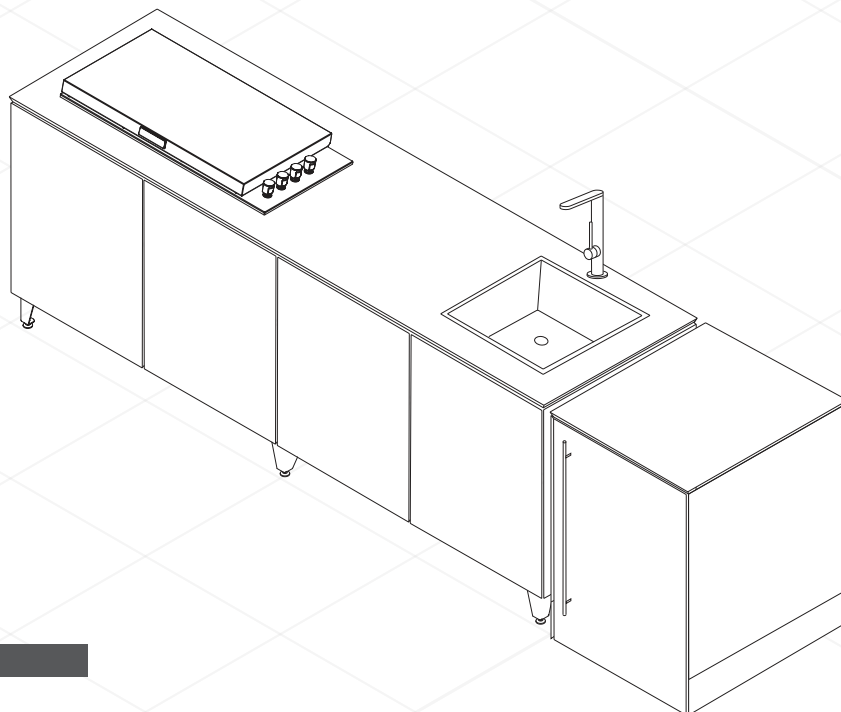
Available in 2 sizes
 in Graphite, Ivory & Buff

Please note: All colours have been reproduced as faithfully as print will allow. Photos should not be taken as an exact indication of colour.

THE VLAZE ADAPT SUGGESTED LAYOUTS

ADAPT SLIMLINE

Streamlined and perfectly formed. Everything you need to prepare delicious food and drinks while enjoying your outdoor living space.

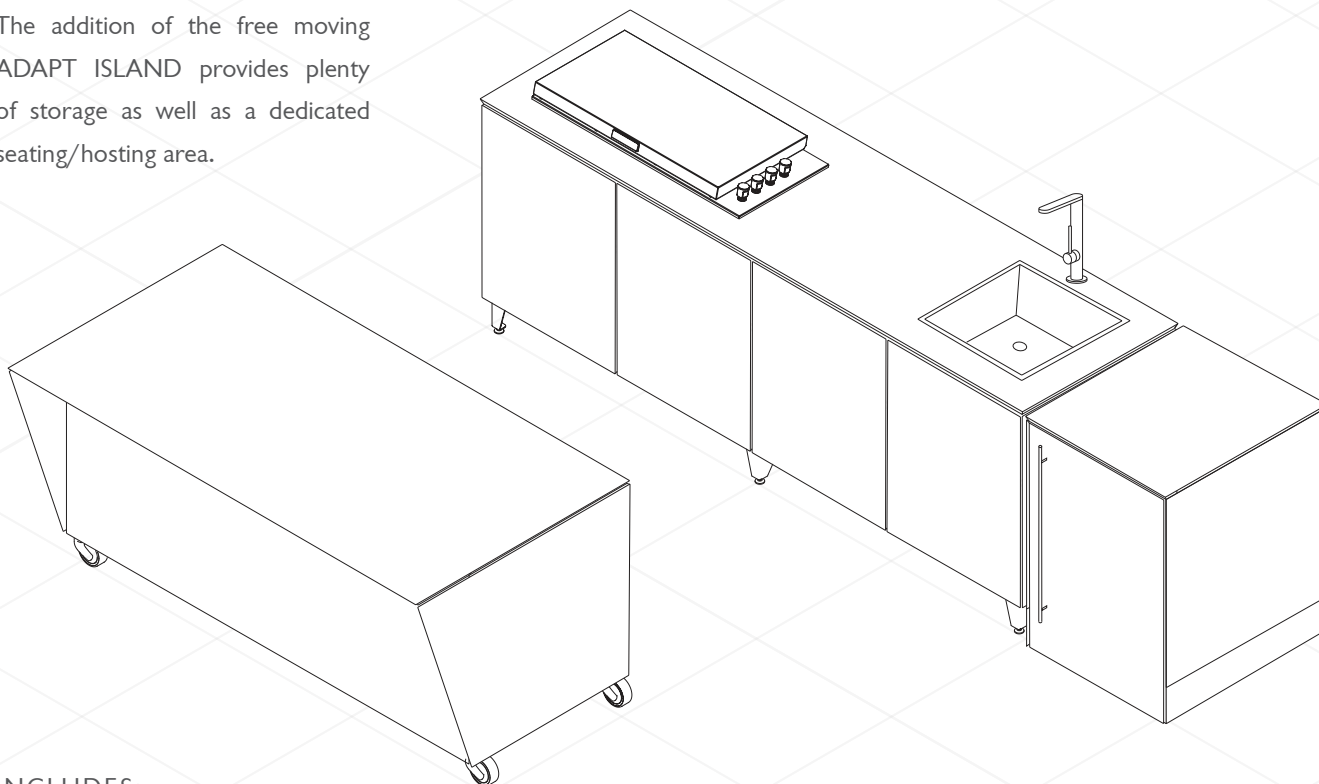


INCLUDES:

240 KITCHEN GRILL
ADAPT FRIDGE

ADAPT ENTERTAINING

The addition of the free moving ADAPT ISLAND provides plenty of storage as well as a dedicated seating/hosting area.



INCLUDES:

240 KITCHEN GRILL
ADAPT FRIDGE
ADAPT ISLAND

ADAPT ULTIMATE KITCHEN

A full array of cooking options and substantial storage allows you to host large gatherings with ease.

INCLUDES:

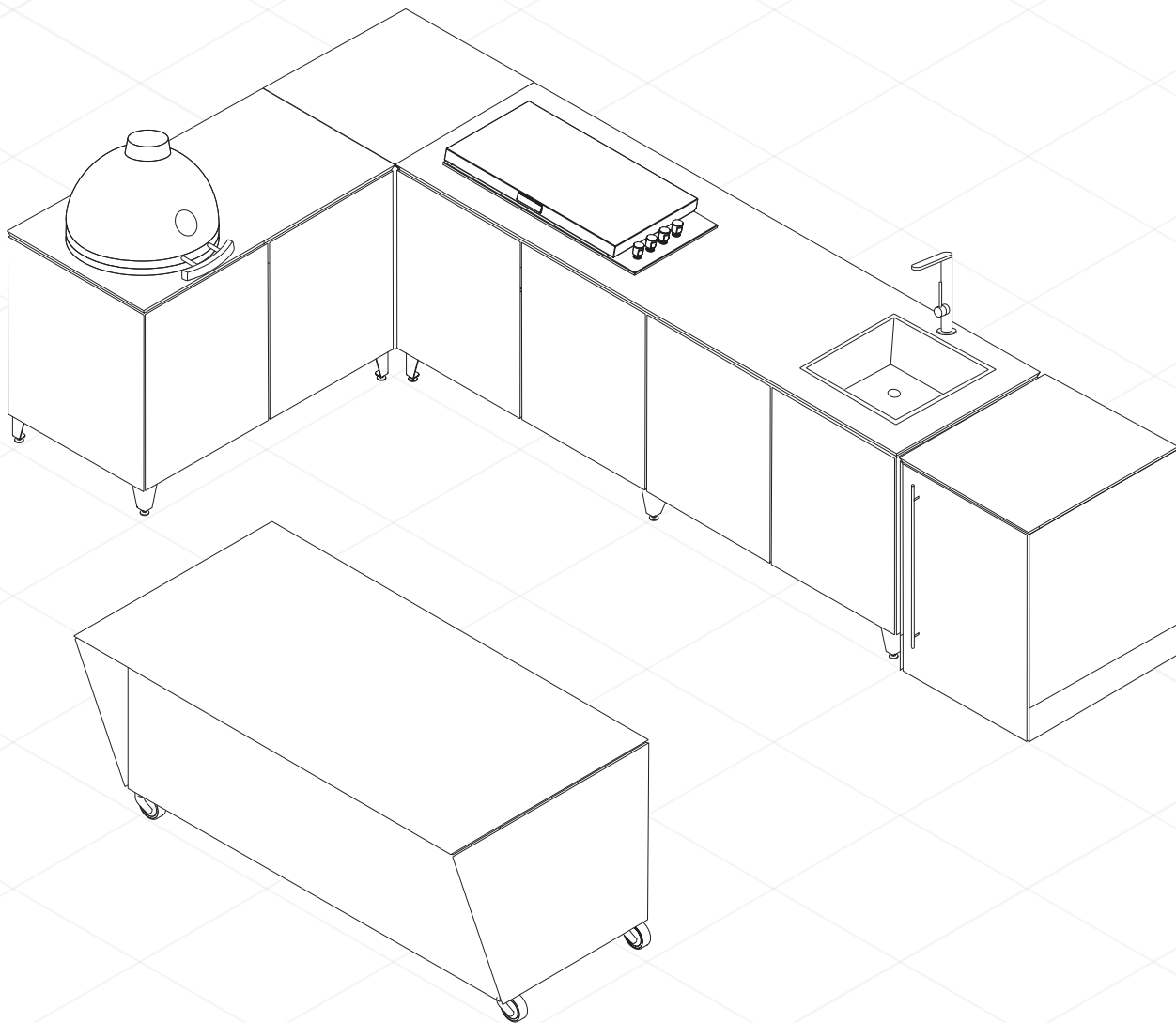
240 KITCHEN GRILL

ADAPT FRIDGE

120 BARBECUE

ADAPT ISLAND

CONSTRUCTION CORNER



25
YEAR GUARANTEE



VLAZE BISHOPS WAY, NEWPORT, ISLE OF WIGHT PO30 5WS, UK
TEL: +44 (0)1983 537 773 • **VLAZE.CO** • @VLAZESURFACE

A DIVISION OF A.J.WELLS & SONS LIMITED REGISTERED IN ENGLAND NO. 03809371 • AJWELLS.COM

