



CLOSURES
& ACCESSORIES

Rev. 0 | 2023

Technical SHEETS

| EN

THE OUTDOOR ALCHEMIST

INDEX

APPLICATIONS CLOSURES	3
-----------------------	---

FABRIC TYPES	4
--------------	---

FASTENERS

ERMETIKA® CRISTAL XL / DIFFUSA ETK® XL	6
--	---

MAGIKO B	13
----------	----

BRIO	26
------	----

MYGLASS	34
---------	----

AURA	44
------	----

DOOR WITH PUSH BAR	48
--------------------	----

MOTORS AND AUTOMATISMS	52
------------------------	----

TABLE APPLICATIONS CLOSURES

	POSITION	ERMETIKA® CRISTAL XL	DIFFUSA ETK® XL	11 Motor-driven MAGIKO B	12 Motor-driven MAGIKO B	11 manual-driven MAGIKO B	12 manual-driven MAGIKO B	BRIO 11	BRIO 12
PERGOTENDA®									
MAESTRO	FRONT	NO	NO	NO	SWING MAGIKO B	NO	NO	NO	SWING BRIO
	SIDE	NO	NO	NO	SWING MAGIKO B	NO	NO	NO	SWING BRIO
PALLADIA®	FRONT*	YES	YES	YES	NO	YES	NO	YES	NO
	SIDE*	YES	YES	YES	NO	YES	NO	YES	NO
	SIDE**	YES	YES	YES	NO	YES	NO	YES	NO
IRIDIUM®	FRONT	YES	YES	NO	NO	NO	NO	NO	NO
	SIDE	YES	YES	NO	NO	NO	NO	NO	NO
B-SPACE	FRONT	YES	YES	NO	YES	NO	YES	YES	YES
	SIDE	YES	YES	NO	YES	NO	YES	YES	YES
PT 45	FRONT	YES	YES	YES	YES	YES	YES	YES	YES
	SIDE	YES	YES	YES	YES	YES	YES	YES	YES
BIOCLIMATICS									
MAESTRO	FRONT	NO	NO	NO	SWING MAGIKO B	NO	NO	NO	SWING BRIO
	SIDE	NO	NO	NO	SWING MAGIKO B	NO	NO	NO	SWING BRIO
ALBA	FRONT	YES	YES	YES	NO	YES	NO	YES	NO
	SIDE	YES	YES	YES	NO	YES	NO	YES	NO
IMAGO	FRONT	NO	NO	NO	SWING MAGIKO B	NO	NO	NO	SWING BRIO
	SIDE	NO	NO	NO	SWING MAGIKO B	NO	NO	NO	SWING BRIO

* With side attachment kit (1 single closure **W. max 500 cm**)

** With lateral beam and possible intermediate pillar (with 1 or more closures)

FABRIC TYPES See Corradi sample collection

	Description	Fireproof treatment	H roll cm
ECLISSI	PVC coated 1100 Dtex polyester ANTI-TRANSPARENT fabric	CL2 - M2 / B1	250
PRECONTRAIN 302 Matt	PVC coated 550 Dtex polyester	CL2 - M2 / B1	180
LAC 650 SL	PVC coated 1100 Dtex polyester	CL2 - M2/B1	300
STAM 6002	Poliestere 500/1100 Dtex PES HT	CL2 - M2/B1	260
SOLTIS 86	PVC coated polyester	CL1 - M1/B1	177/267
SOLTIS W96	PVC coated polyester	M2	267
SUNWORKER	PVC coated polyester	CL1 - M1/B1	300
CRISTAL	PVC transparent anti U.V. 5/10 thickness	-	140
CRISTAL M2	PVC transparent anti U.V. 5/10 thickness	CL2 / M2	140
GLASSROPE	Fiber glass 42%, PVC 58%	CL1 - M1/B1	300
CRISTAL RES	PVC transparent smoky gray anti U.V. 4,5/10 thickness	-	140

GTOT

FABRIC	COLOUR (Corradi naming)	gtot EXTERNAL (total solar factor)	CLASS	FABRIC	COLOUR (Corradi naming)	gtot EXTERNAL (total solar factor)	CLASS
Eclissi	white	0,02	4	Stam 6002 (non blackout)	white (6002-20183)	0,08	4
	grey	0,05	4		ivory (6002-10387)	0,07	4
	ivory	0,03	4		light grey (6002-20001)	0,06	4
LAC 650 SL	white (RAL 9010)	0,09	4		medium grey (6002-20024)	0,08	4
	ivory	0,08	4		Sunworker	white (M005)	0,16
	light khaki	0,06	4	light grey (M654)		0,13	3
	light grey	0,05	4	dark grey (M652)		0,12	3
	dark grey	0,09	4	champagne (M711)		0,17	2
Preconstraint 302 Matt	anthracite (302-378)	0,08	4	beige (M712)		0,16	2
	ivory (302-241)	0,07	4	pearl grey - pearl grey (05968-GRP-GRP)		0,11	3
	white (302-239)	0,06	4	grey - grey (05968-GRI-GRI)		0,10	3
	glacier grey (302-237)	0,09	4	grey - white pearl grey (05968-GRI-GPB)	0,08 - 0,09	4 - 4	
	grey (302-331)	0,12	3	white - white (05968-BIA-BIA)	0,15	2	
Soltis 86	sand (302-544)	0,06	4	white - white pearl grey (05968-BIA-GPB)	0,11 - 0,10	3 - 3	
	Glassrope	silver/pale pink (86 - 2046)	0,16 - 0,14	2 - 3	linen - linen (05968-LIN-LIN)	0,13	3
		white (86 - 2044)	0,21	2	linen - white (05968-LIN-BIA)	0,13	3
		stone grey (86 - 2171)	0,15	2	pearl grey - white (05968-GRP-BIA)	0,11	3
		titanium (86 - 2012)	0,15	2	grey - charcoal (05968-GRI-CRB)	0,10	3
		sand (86 - 2135)	0,15	2	charcoal - charcoal (05968-CRB-CRB)	0,10	3
Soltis W96		white (W96-8102)	0,12	3	Cristal RES	smoky gray	0,33
	ivory (W96-1103)	0,13	3				
	sand (W96-8861)	0,11	3				
	light grey (W96-2171)	0,09	4				
	dark grey (W96-2047)	0,10	3				
Cristal	transparent	0,55	0				

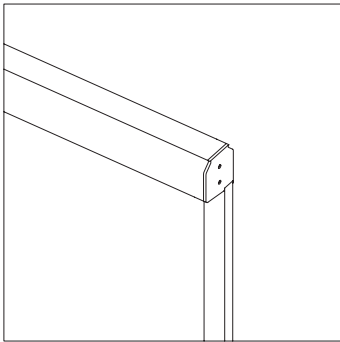
Gtot correspondence and performance class

CLASS	EFFECT	gtot
0	MINIMAL	gtot ≥ 0,50
1	LITTLE	0,35 ≤ gtot < 0,50
2	MODERATE	0,15 ≤ gtot < 0,35
3	GOOD	0,10 ≤ gtot < 0,15
4	EXCELLENT	gtot < 0,1



ERMETIKA® CRISTAL XL, DIFFUSA ETK® XL

ERMETIKA® CRISTAL XL AND DIFFUSA ETK® XL FEATURES



ERMETIKA® XL is a vertical roll-up screen on guides custom made to protect against sun, wind and rain, comprising an aluminium structure and a folding canvas. It can be installed on Corradi sun-shading systems, existing structures, outdoor passageways or with the Corradi Balcony system.

ERMETIKA® XL has been specially designed to handle the issues relating to strong retraction % of Cristal Fabric, improving the dimensional performance of ERMETIKA® and fully integrating the canvas connection and packing systems into its aluminium structure, for a 100% Cristal surface. The box with safety fastener is accessible for inspection and maintenance of the larger wind-up device tube (diam. 78 mm).

The larger guides (dim. 85x33 mm) are reinforced and can be dismantled. They house a system of prestressed stainless steel wire springs that keep the canvas tensioned, improving the functional and aesthetic performance of the product.

The manual version of ERMETIKA® XL is operated using a gearbox, which avoids inverse rolling of the canvas and canvas detachment; in the motorized version the canvas is controlled by means of a 220 Volt motor-reducer (electric drive) with built-in receiver.

The stop system of the Telescopic Terminal (standard), positioned at the lower part of the side guides, enables the canvas to be tensioned during the descent and rights the guides if they are out of square by up to 2 cm

A manual mechanical locking system (optional) built into the terminal is available.

Canvas may be manufactured in the following fabrics: transparent Cristal (sun-wind protection), micro-perforated Sunworker or Soltis86, Soltis W96, (sun protection), shading Eclissi, Lac and Tempotest (sun-wind-rain protection) and also mosquito screen, all up to max 5 metres wide.

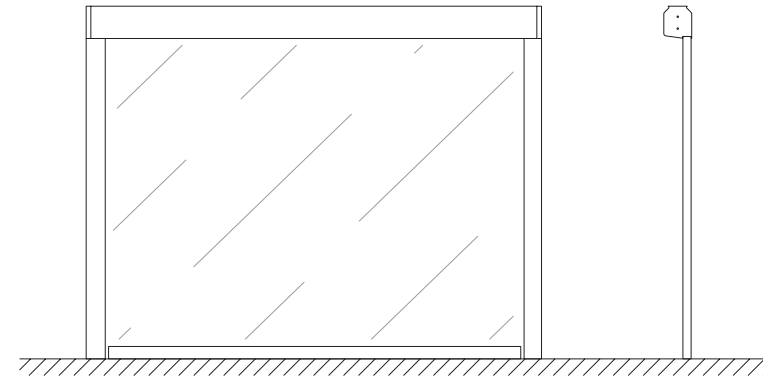
Available colours:

- RAL 9010 White glossy/matt/texture
- RAL 1013 Ivory glossy/matt
- RAL 7035 Grey glossy/matt
- RAL 8019 Brown glossy/text
- Anthracite texture
- RAL 9016 White plus matt
- Dark Bronze texture
- RAL 7016 Dark Grey texture
- RAL 9005 Night texture
- Salt & Pepper texture
- Titanium texture
- Cor10 texture
- RAL K7 glossy/matt/texture
- Spring green texture
- Graphite texture
- Dove-grey texture

*See Corradi sample kit for other fabrics.

ERMETIKA® CRISTAL XL and DIFFUSA ETK® XL

Wind resistance class (UNI EN 13561:2015)	
Width < 400 cm	Width > 400 cm
3	2



ERMETIKA® CRISTAL XL and DIFFUSA ETK® XL

MAXIMUM DIMENSIONS cm

Tube	Width	Height
78	450	320
85	500	280

**PATENTED
TELESCOPIC
TERMINAL
LOCK**

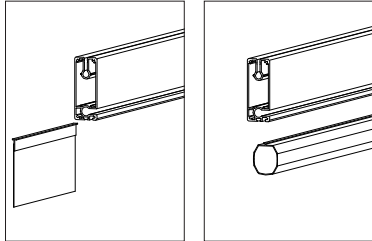
ERMETIKA® CRISTAL XL AND DIFFUSA ETK® XL

manual drive

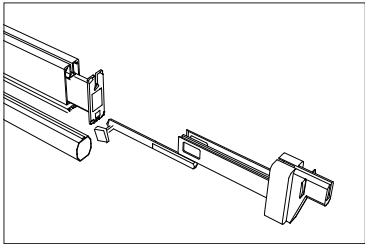
motor-reducer (alternative to manual drive)

protection cassette (removable inspection)

Terminal valance (H. 8 cm)

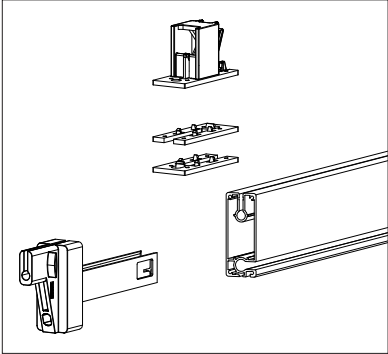


Manual locking



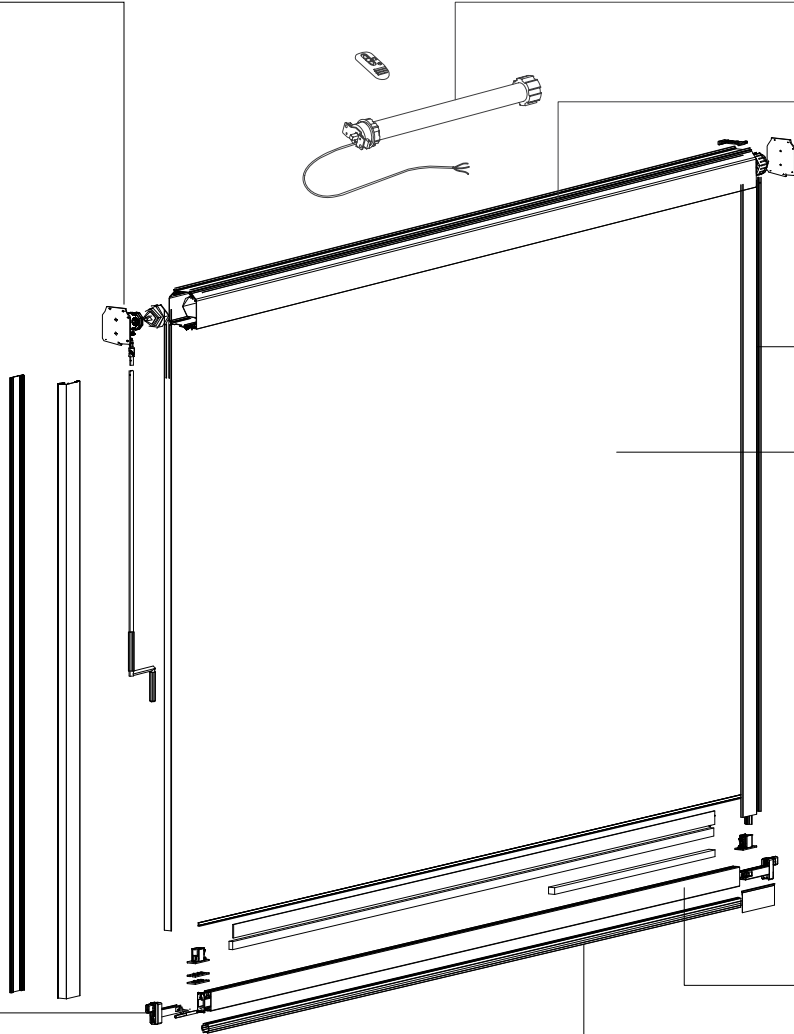
Terminal locking for canvas tension (standard)

Terminal locking for canvas tension (standard)

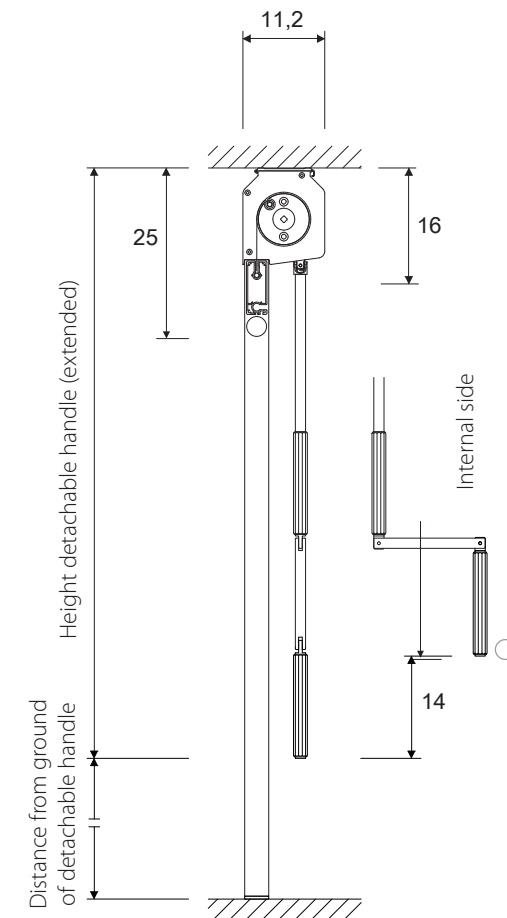
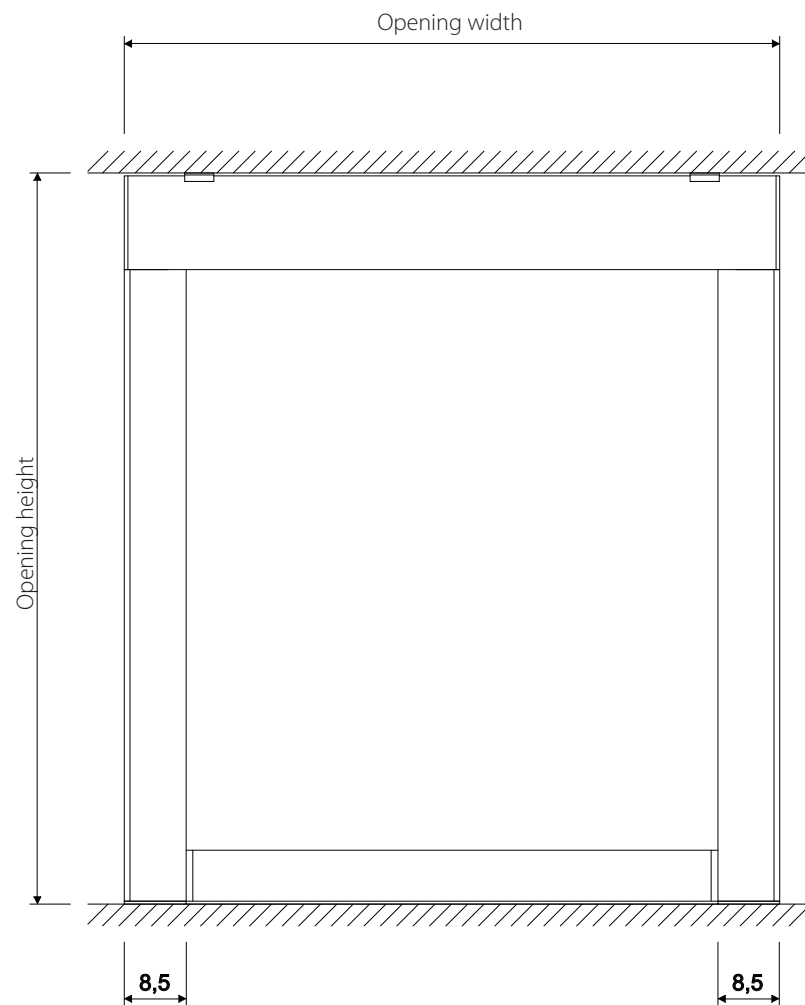
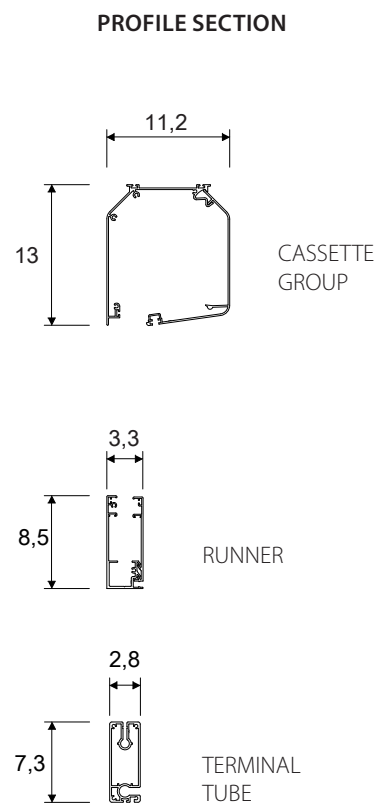


terminal tube with counter-weight

anti-draft brush or pvc profile



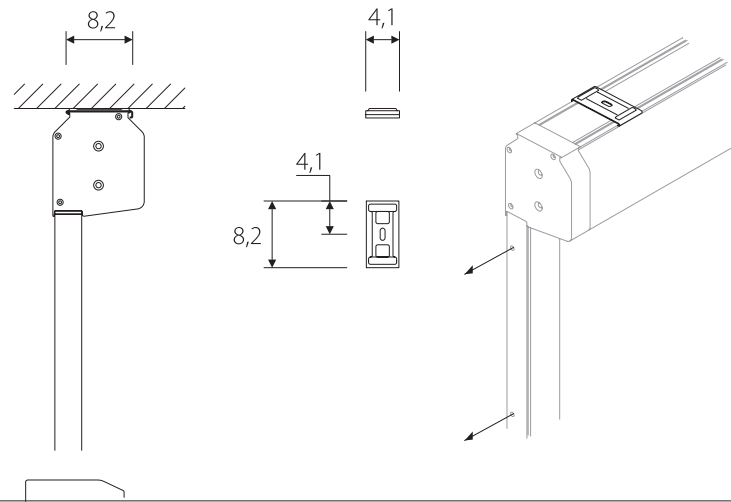
ERMETIKA® CRISTAL XL AND DIFFUSA ETK® XL DIMENSIONS



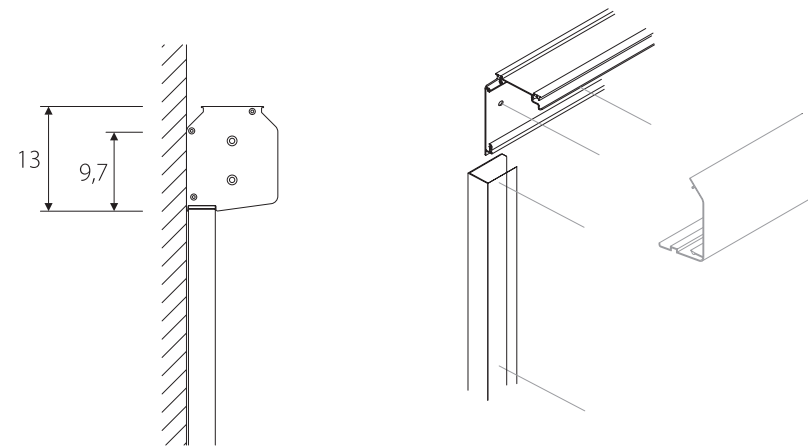
All measurements are given in cm

ERMETIKA® CRISTAL XL AND DIFFUSA ETK® XL ANCHORAGE

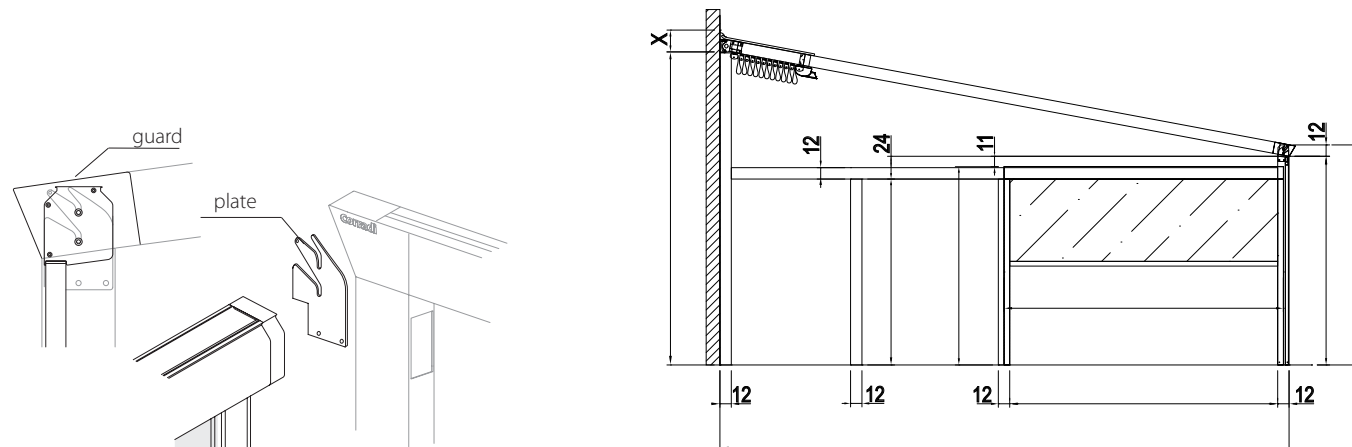
OVERHEAD ANCHORAGE (standard)



FRONTAL ANCHORAGE (without support)



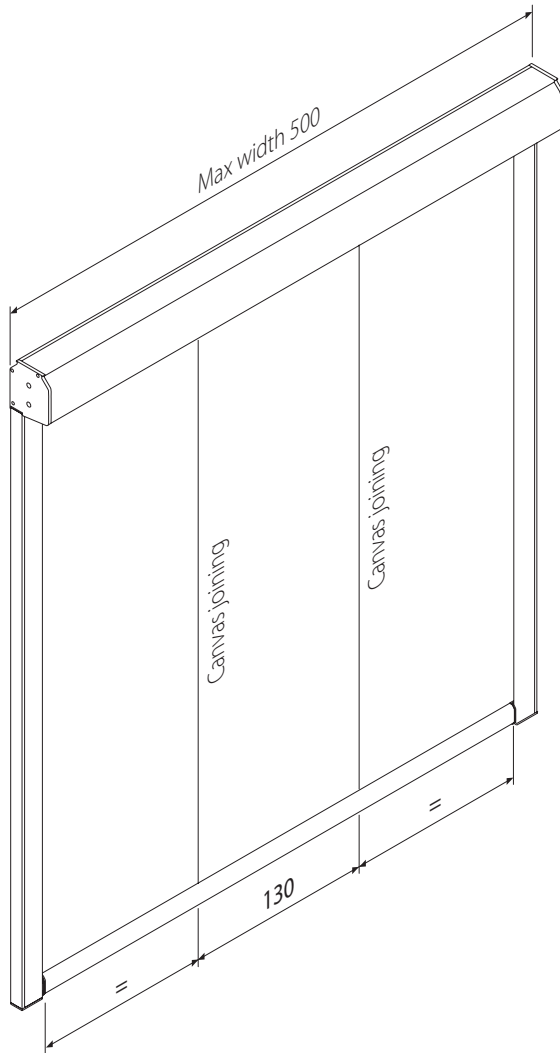
PERGOTENDA® PALLADIA®
FRONT ANCHORAGE
with guard



All measurements are given in cm

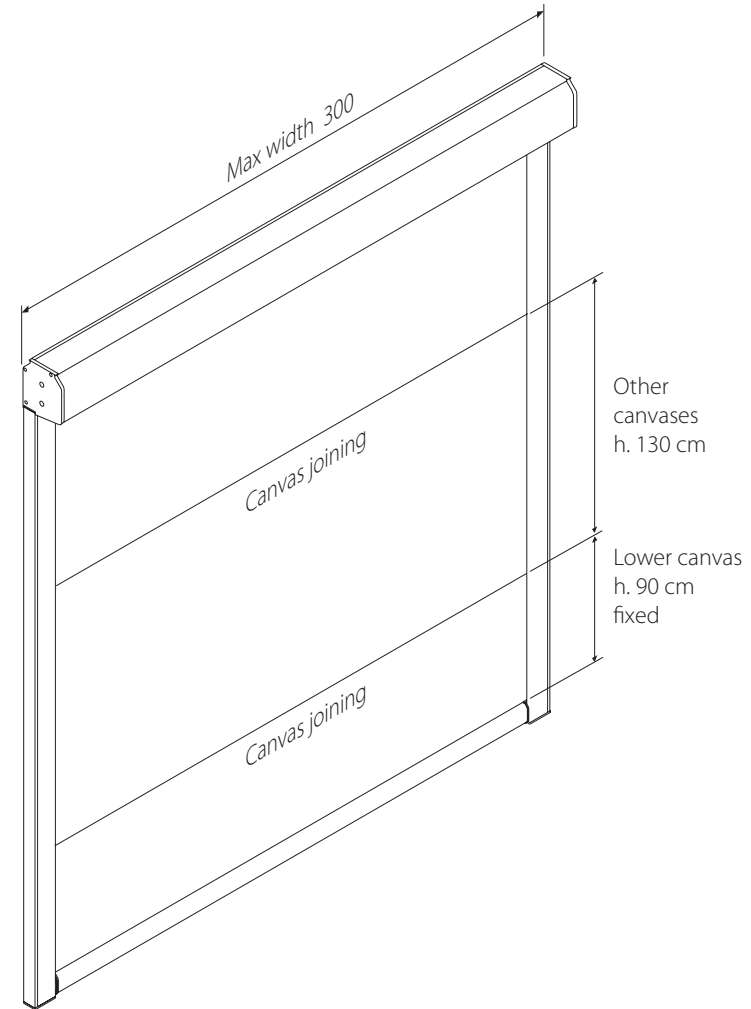
ERMETIKA® CRISTAL XL CRISTAL CANVAS JOINING - WIRE WELDING

VERTICAL CANVAS JOINING



HORIZONTAL CANVAS JOINING - NOT RECOMMENDED

Single canvas without joins for ERMETIKA® XL with width less than 130 cm



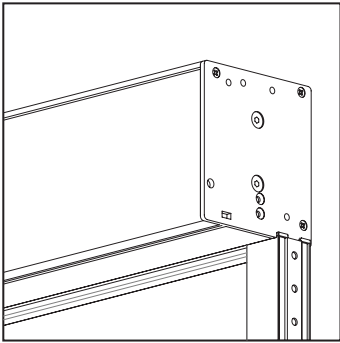
HEIGHT cm	Nr Canvas	
	up to 100 cm	1
from 100 to 235 cm	2	
from 235 to 350 cm	3	

WIDTH cm

Nr Canvas	from 80 to 190 cm	from 90,1 to 324cm	from 24,1 to 458 cm	from 458,1 to 500 cm
		1	2	3

MAGIKO^B

MAGIKO^B FEATURES



Magiko B is a vertical closure custom-made with the purpose of protecting from sun, rain and wind. Magiko B is made of aluminium and consists of: runners (33x33 mm or 33x45 mm), roller tube with different diameters (Ø78/85/100 mm depending on the width), a roll-up canvas and a container protection cassette (11x12 or 12x13 cm). Magiko B is made of darkening or filtering fabric. Magiko B is compatible with Corradi products and can be integrated into the beam of MAESTRO and IMAGO® in the SWING version.

The modular side runners are equipped with a canvas retaining system and are available in two different sizes (33x33 and 33x45 mm). The 33x45 mm runners were developed for the manual version with gearbox movement and for compensation of up to 1 cm per side in case of application in uneven spaces. The protection cassette with safety lock can be inspected for check and maintenance of the roller tube. In the motor-driven version, the system is driven by a 220 Volt motor-reducer (electric drive) with integrated receiver. In the lower part of the removable protection cassette it is possible to apply a full-width LED light with 45° orientation towards the inside of the structure. Two protection cassettes are available for Magiko B (sizes 11x12 and 12x13 cm) to be chosen according to the height of the space and the pergola on which the closure is to be installed. The maximal dimensions of the screen vary depending on the protection cassette and the desired dimensions. The canvas is available in the following fabrics: Sunworker, Soltis 86, Soltis W96, Glassrope, Eclissi, Lac 650 SL, Precontraint 302 Satin, Precontraint 302 Satin, Stam 6002 and Insect Screen.

List of available colours:

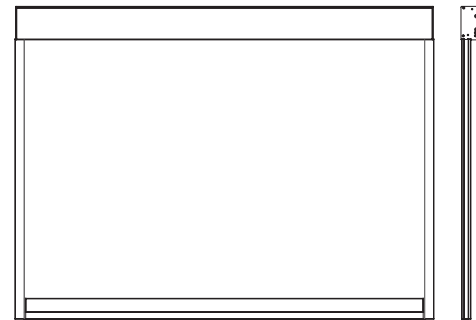
- RAL 9010 White glossy/matt/texture
- RAL 1013 Ivory glossy/matt
- RAL 7035 Grey glossy/matt
- RAL 8019 Brown glossy/text
- Anthracite texture
- RAL 9016 White plus matt
- Dark Bronze texture
- RAL 7016 Dark grey texture
- Spring green texture
- Dove-grey texture
- Graphite texture
- RAL 9005 Night texture
- Salt & Pepper texture
- Titanium texture

- Cor10 texture
- RAL K7 glossy/matt/texture
- Spring green texture
- Graphite texture
- Dove-grey texture

*See the Corradi sample kit for other fabrics.

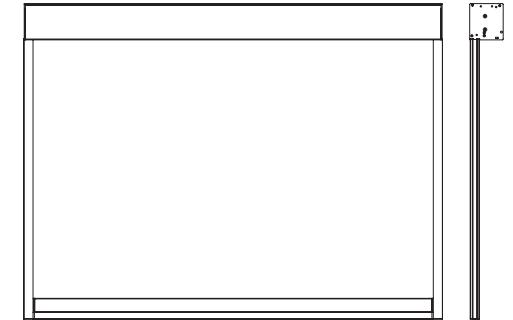
MAGIKO B
Wind resistance class (EN 13561:2015)
4

MAGIKO B 11 PROTECTION CASSETTE 11X12 CM



MAGIKO B 11 MAXIMAL DIMENSIONS in cm		
<i>Tube</i>	<i>Width</i>	<i>Height*</i>
78	450	320
85**	500	280

MAGIKO B 12 PROTECTION CASSETTE 12X13 CM



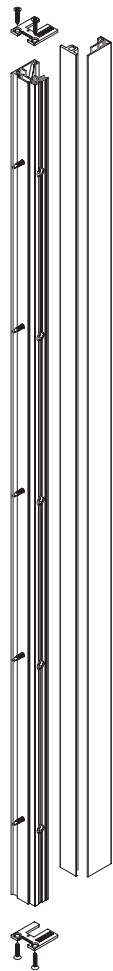
MAGIKO B 12 MAXIMAL DIMENSIONS in cm		
<i>Tube</i>	<i>Width</i>	<i>Height*</i>
78	450	350
85**	500	320
100**	600	270

*ATTENTION: Depending on the maximum height of the screen to make, it may be necessary to horizontally overlap and seal two different rolls of fabric. The screen height varies according to the type and is stated in the «FABRIC TYPES» table.

**ATTENTION: Magiko B not available in manual version.

MAGIKO^B MOTOR-DRIVEN

Standard runner
33x33 mm



Compensation
profile with
runner 33x45 mm
(optional)

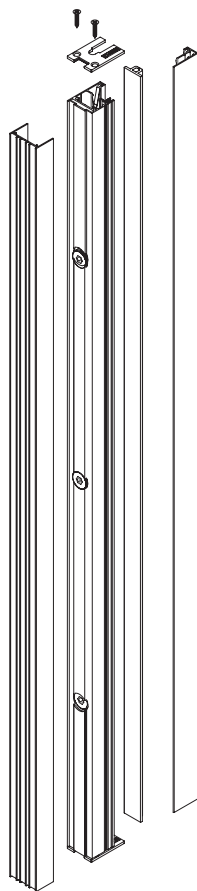
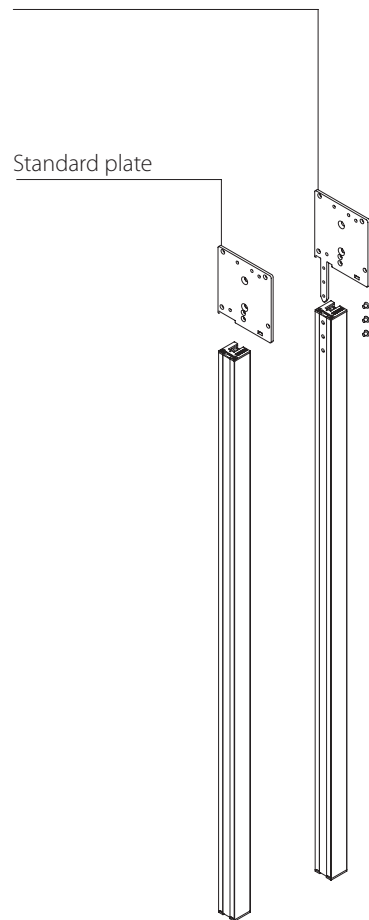


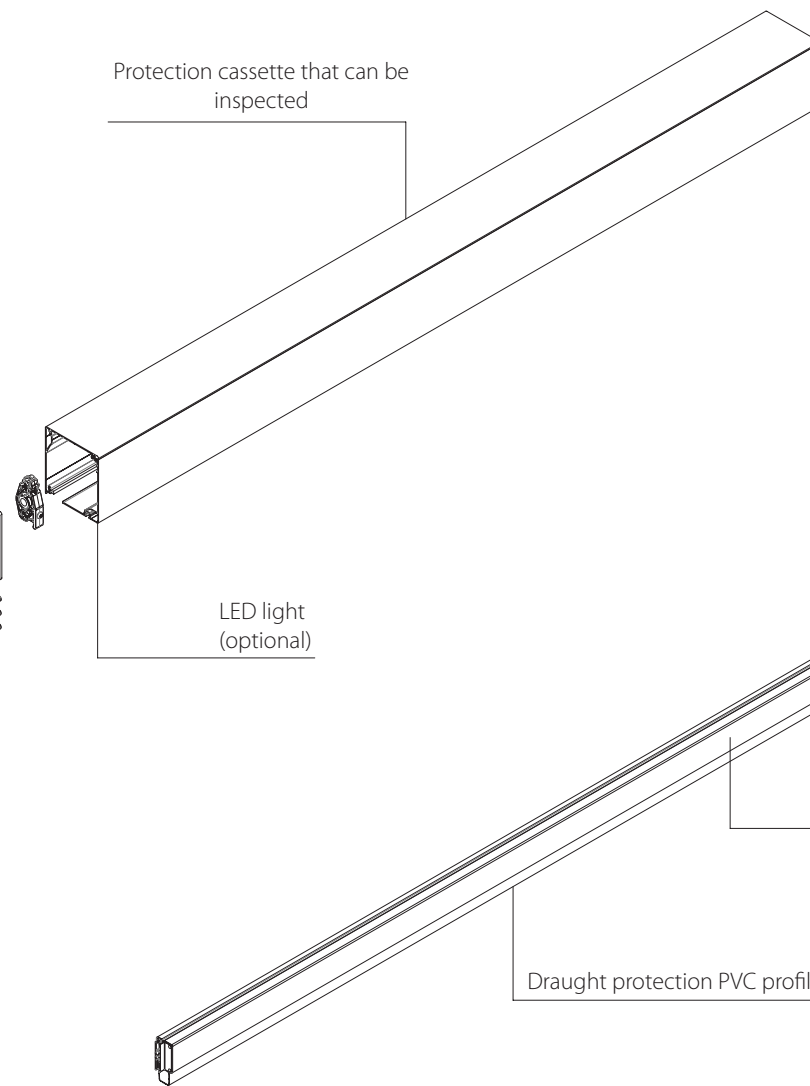
Plate prepared for runner hooks

Standard plate



Protection cassette that can be
inspected

LED light
(optional)

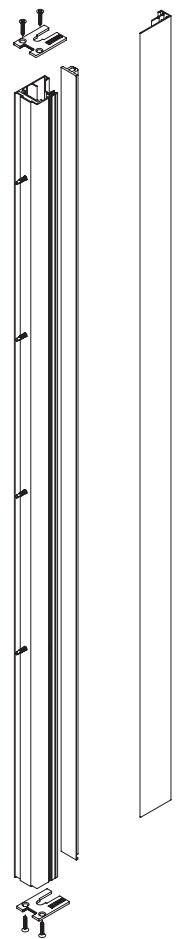


Vertical runner
33x33 mm

Lower terminal
with counterweight

Draught protection PVC profile

Standard runner
33x45 mm



Runner 33x45 mm
with compensation
profile (*optional*)

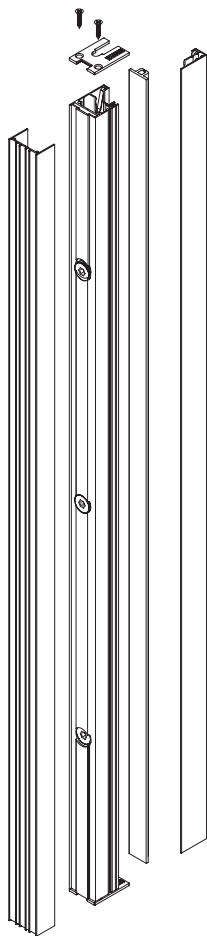
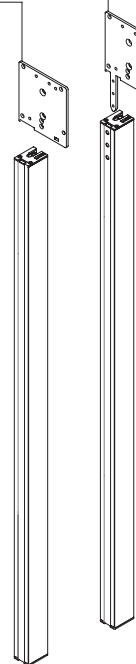


Plate prepared for runner hooks

Standard plate



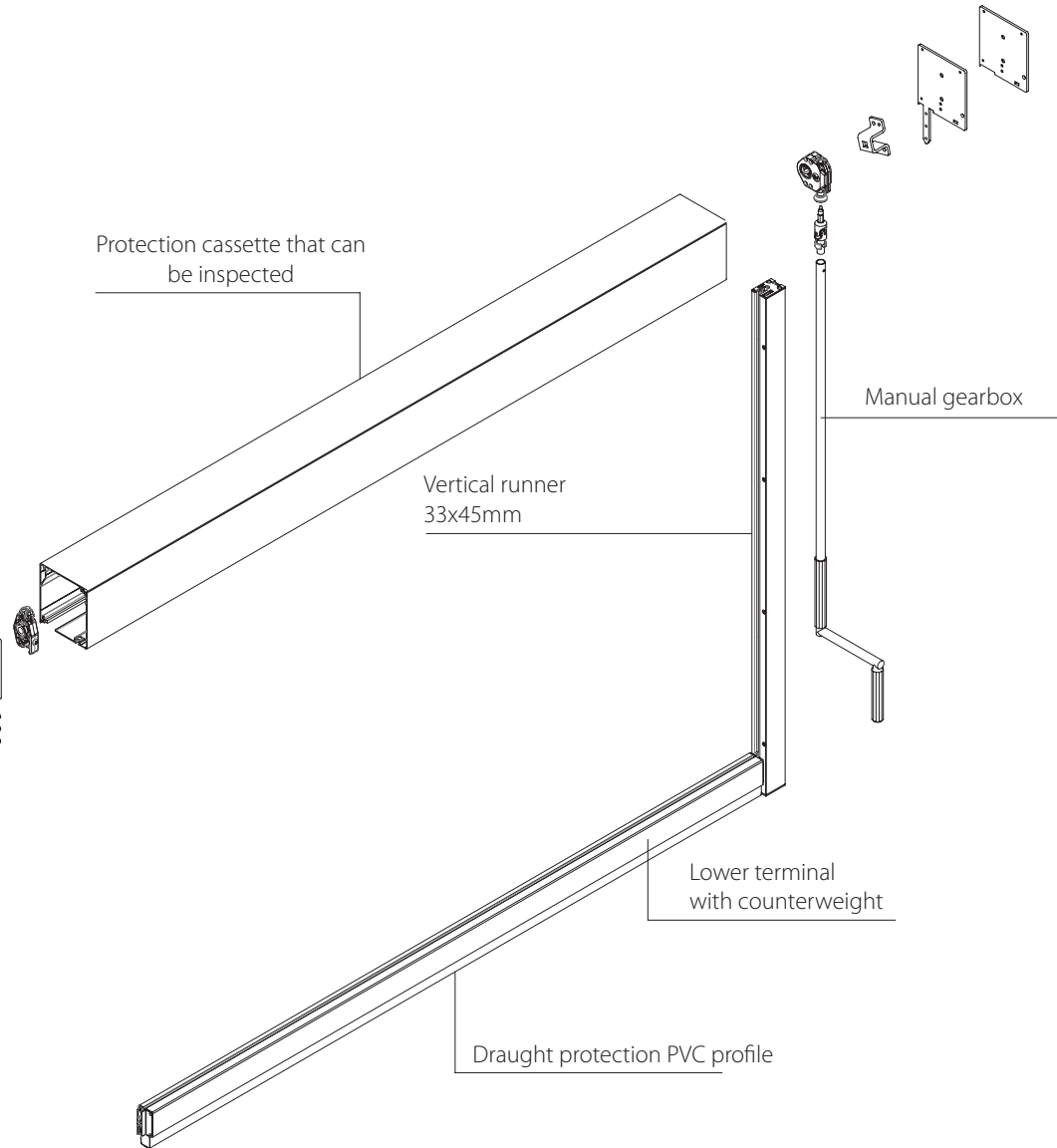
Protection cassette that can
be inspected

Vertical runner
33x45mm

Manual gearbox

Lower terminal
with counterweight

Draught protection PVC profile

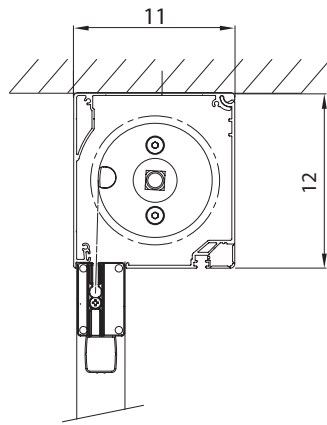


MAGIKO^B FASTENERS

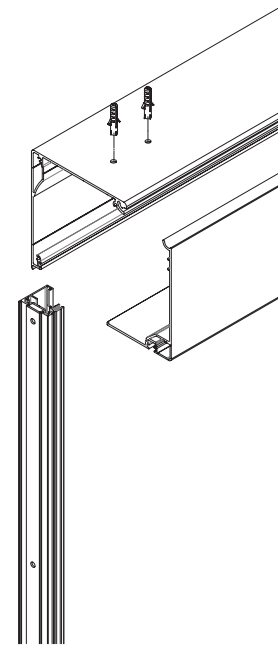
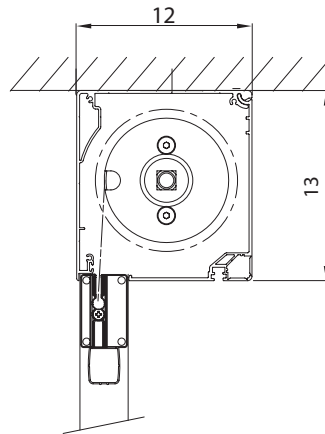
The following types of fasteners are available for both manual and motor-driven Magiko B.

CEILING ANCHORING

MAGIKO B 11
PROTECTION CASSETTE 11x12 cm

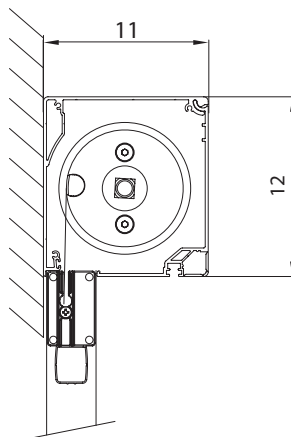


MAGIKO B 12
PROTECTION CASSETTE 12x13 cm

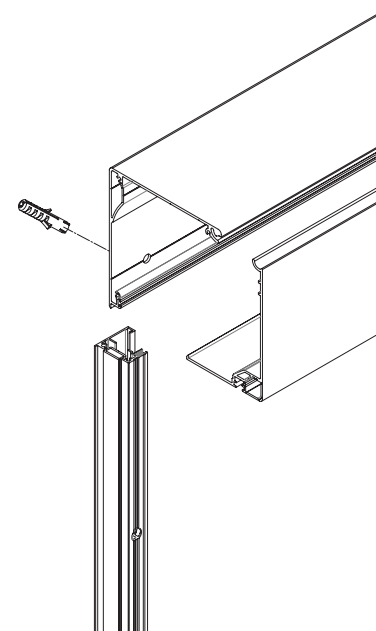
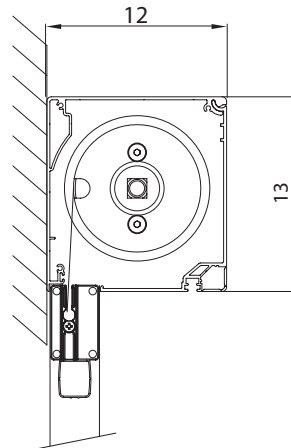


FRONT CONNECTION

MAGIKO B 11
PROTECTION CASSETTE 11x12 cm



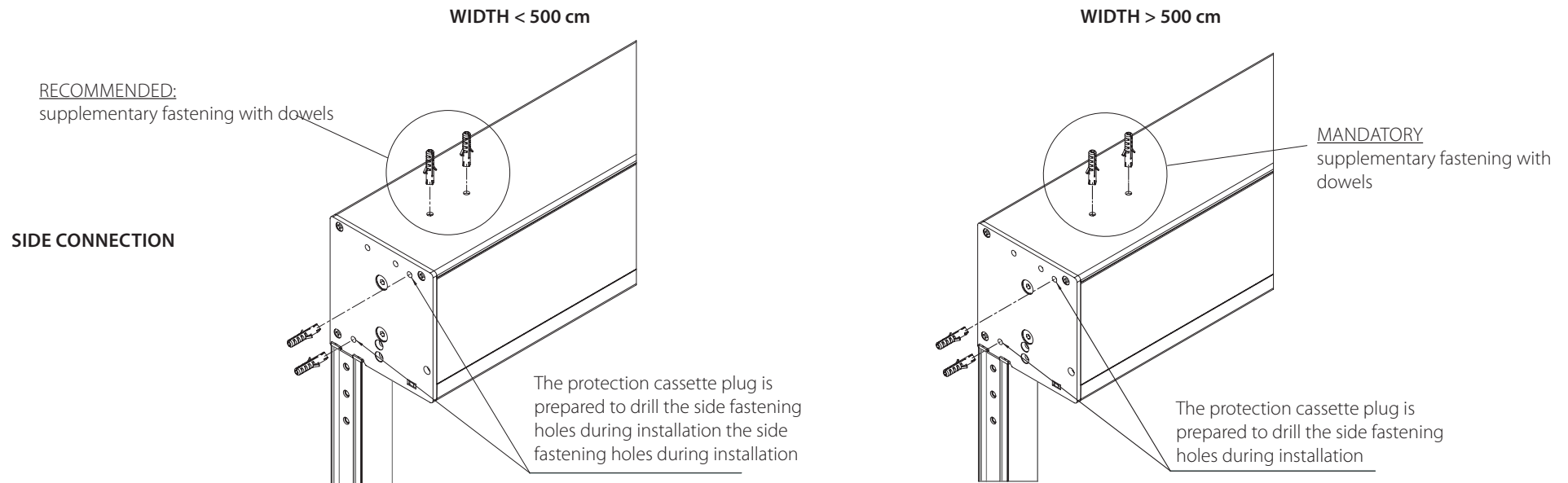
MAGIKO B 12
PROTECTION CASSETTE 12x13 cm



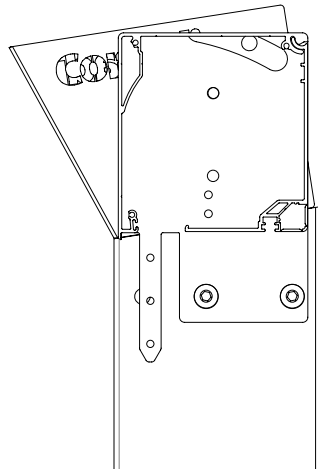
The values indicated are expressed in cm

MAGIKO^B FASTENERS

The following types of fasteners are available for both manual and motor-driven Magiko B.



CONNECTION ON FRONT
PALLADIA® only with
MAGIKO B 11 and
plates ready
for runners connection



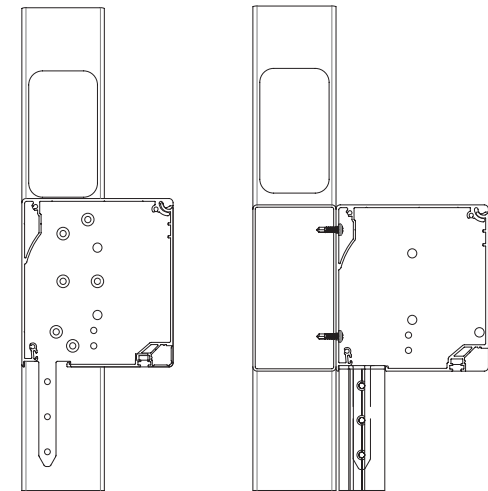
CONNECTION ON PALLADIA®

WITHOUT SIDE BEAM

(side fastening)
MAGIKO B 11 and plates ready for the
connection of runners up to 500 cm

WITH SIDE BEAM

(front fastening)
MAGIKO B 11 and plates ready for the
connection of runners up to 650 cm

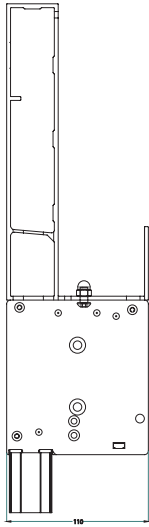


The values indicated are expressed in cm

MAGIKO^B FASTENERS

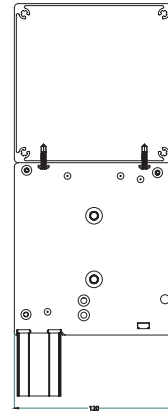
The following types of fasteners are available for both manual and motor-driven Magiko B.

ALBA CONNECTION



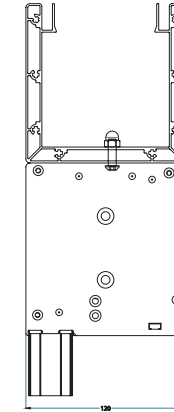
Only Magiko B 11 (protection cassette 11x12 cm) can be installed on Alba.
The kit contains watertight nuts to assemble the protection cassette on the gutter.

CONNECTION ON FRONT B-SPACE



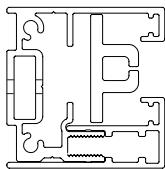
Only Magiko B 12 (protection cassette 12x13 cm) can be installed on either the front or side of B-space.
The kit contains watertight nuts to assemble the protection cassette on the gutter of B-space.

CONNECTION ON SIDE B-SPACE

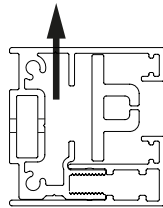


RUNNERS FASTENING

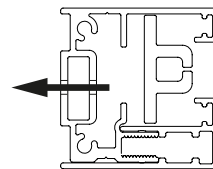
NO HOLES



FRONT

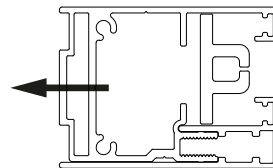
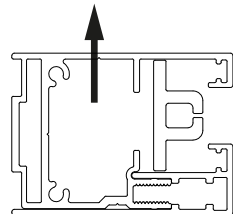
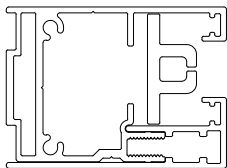


SIDE



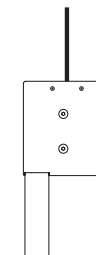
MOTOR-DRIVEN
Runners 33x33 mm

MANUAL
Runners 33x45 mm

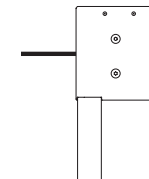


CABLE EXIT for motor-driven version

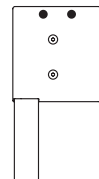
(S) Upper



(P) Rear



(L) Side



All measurements are given in cm

MAGIKO^B PLATES READY FOR RUNNERS CONNECTION

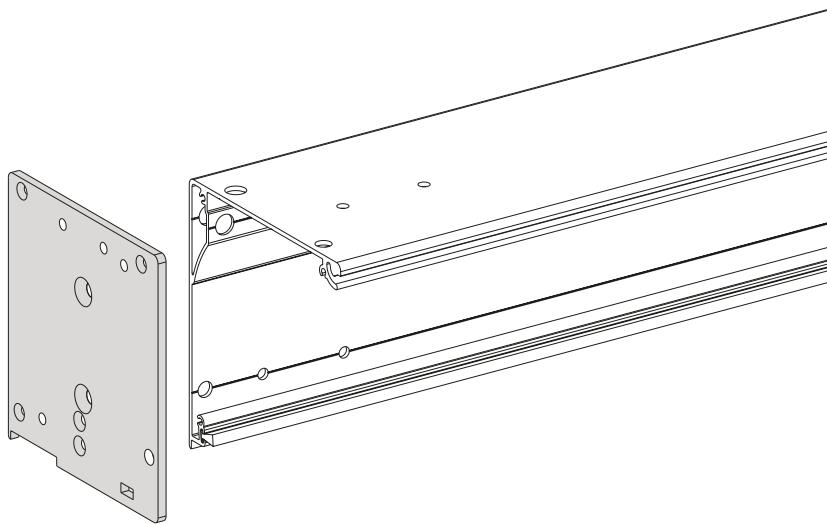
The following plates are available for both the manual and motor-driven version.

The plates ready for runners connection have been designed to facilitate the installation of MAGIKO B in certain situations.

This is possible thanks to the bayonet feature that allows the runners (fixed profile) to be pre-fastened to the protection cassette (fixed profile) using only 6 screws. In this way, the protection cassette and runners will be a single piece to be assembled at the same time, minimising position mistakes.

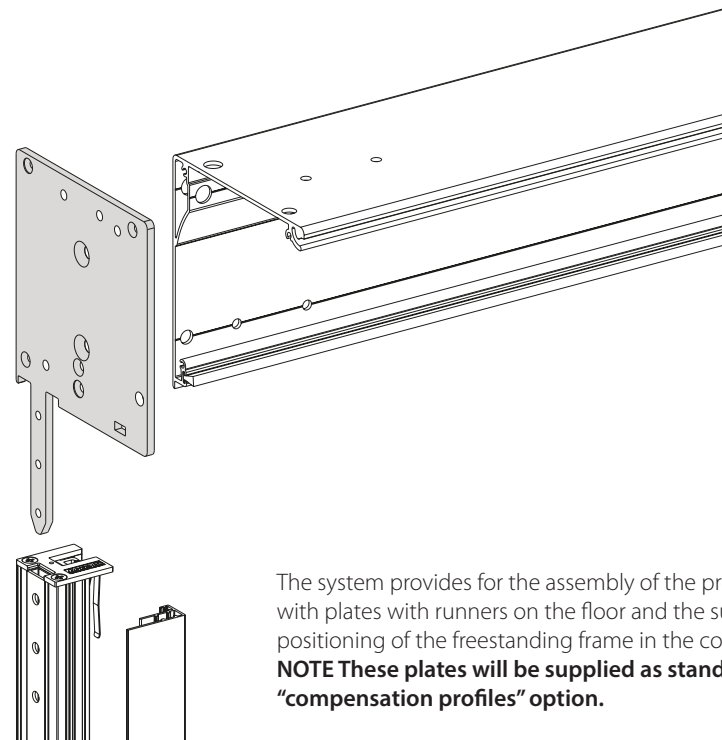
NOTE These plates must be ordered together with the structure.

STANDARD PLATES



The system provides for the assembly of the protection cassette in the compartment and the subsequent runner assembly.

PLATES READY FOR RUNNERS CONNECTION

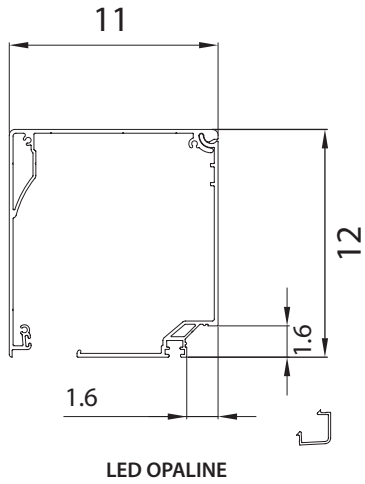


The system provides for the assembly of the protection cassette with plates with runners on the floor and the subsequent positioning of the freestanding frame in the compartment.

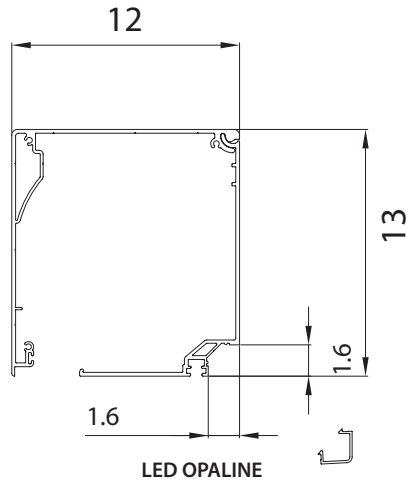
NOTE These plates will be supplied as standard with the "compensation profiles" option.

MAGIKO^B DIMENSIONS

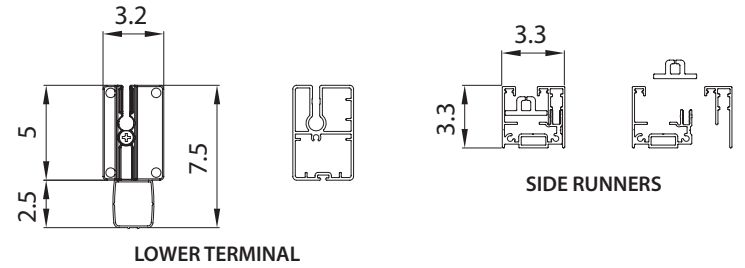
MAGIKO B 11
PROTECTION CASSETTE 11x12 cm



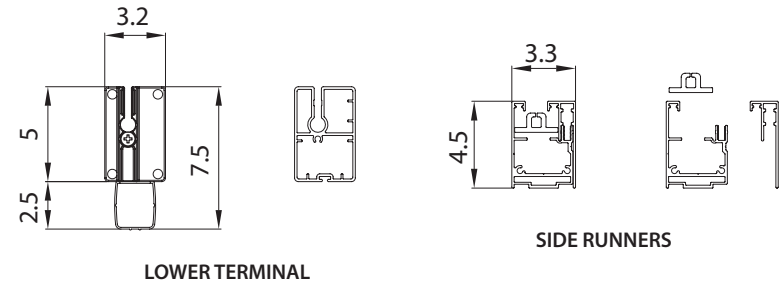
MAGIKO B 12
PROTECTION CASSETTE 12x13 cm



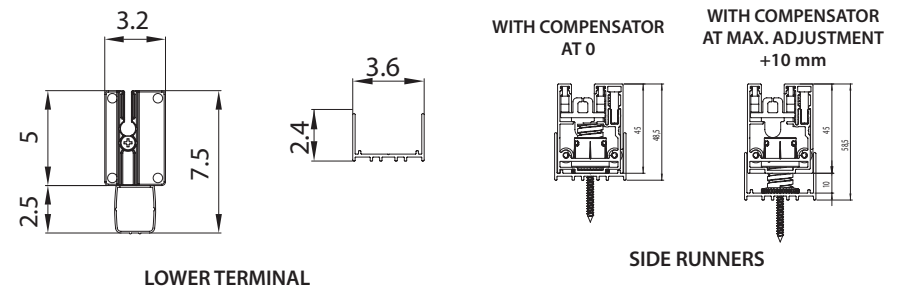
RUNNER 33x33 mm - motor-driven



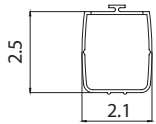
RUNNER 33x45 mm - manual



RUNNER 33x45 mm - with compensation profile for manual or motor-driven configuration

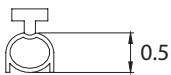


GASKETS



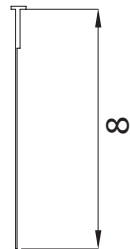
DRAUGHT PROTECTION GASKET

Grey PVC draught-proof gasket, placed on Magiko B terminal



BALLOON-PROFILE GASKET

Black EPDM balloon gasket, dimension 5 mm, placed on Magiko B terminal



TERMINAL PELMET

(optional)
Cristal fabric pelmet, height 8 cm, placed on Magiko B terminal

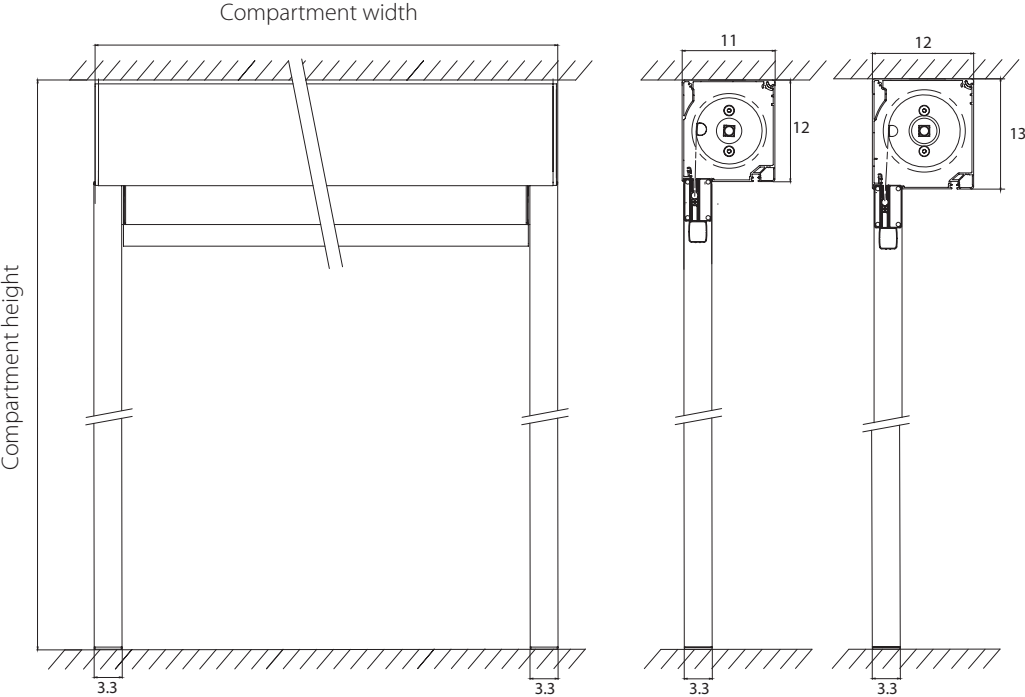


GASKETS FOR WALL COMPENSATION
(standard for side or ceiling fastening)
up to 2 mm

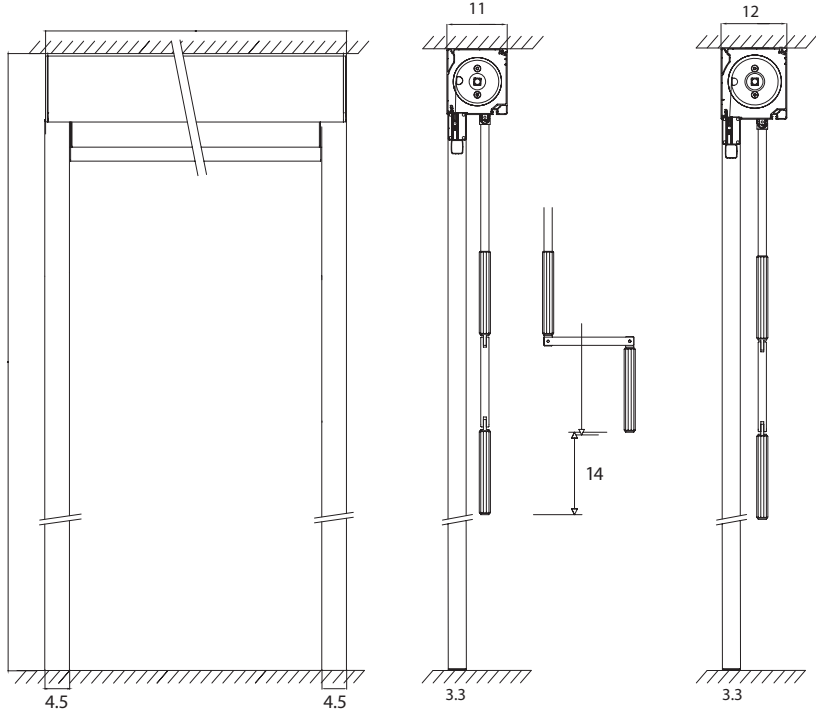
All measurements are given in cm

MAGIKO^B DIMENSIONS

RUNNER 33x33 mm - motor-driven



RUNNER 33x45 mm - manual



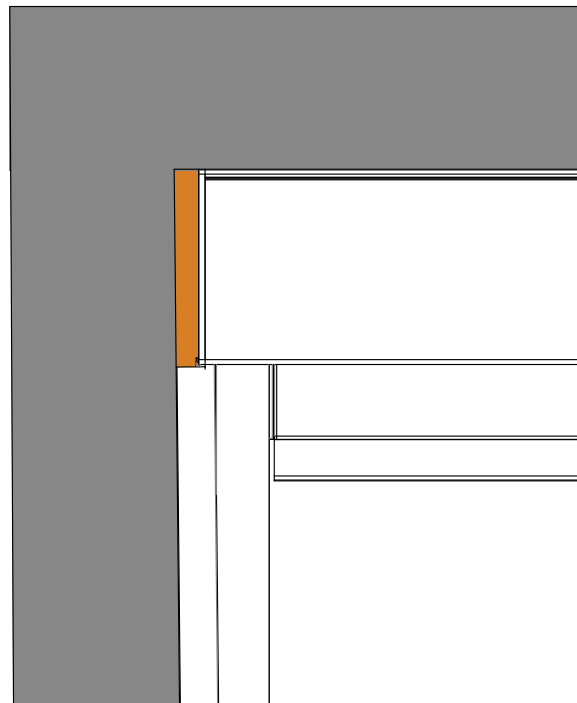
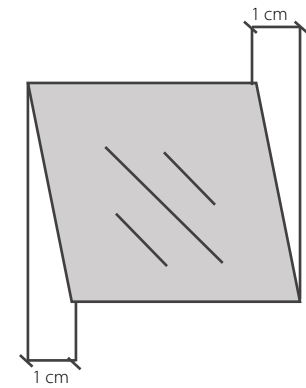
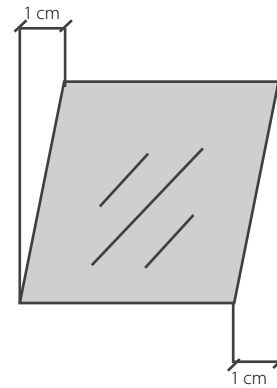
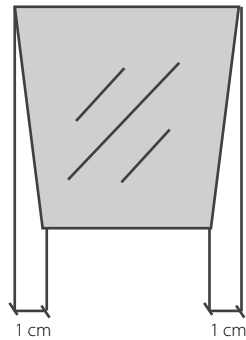
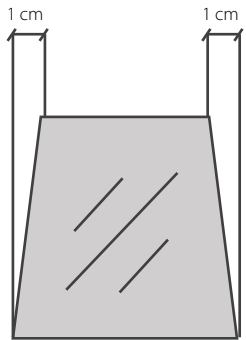
All measurements are given in cm

MAGIKO^B COMPENSATION PROFILES

With the use of an additional profile and special "screw" compensators, MAGIKO B allows the installation in spaces with an off-size value of up to 1 cm per side.

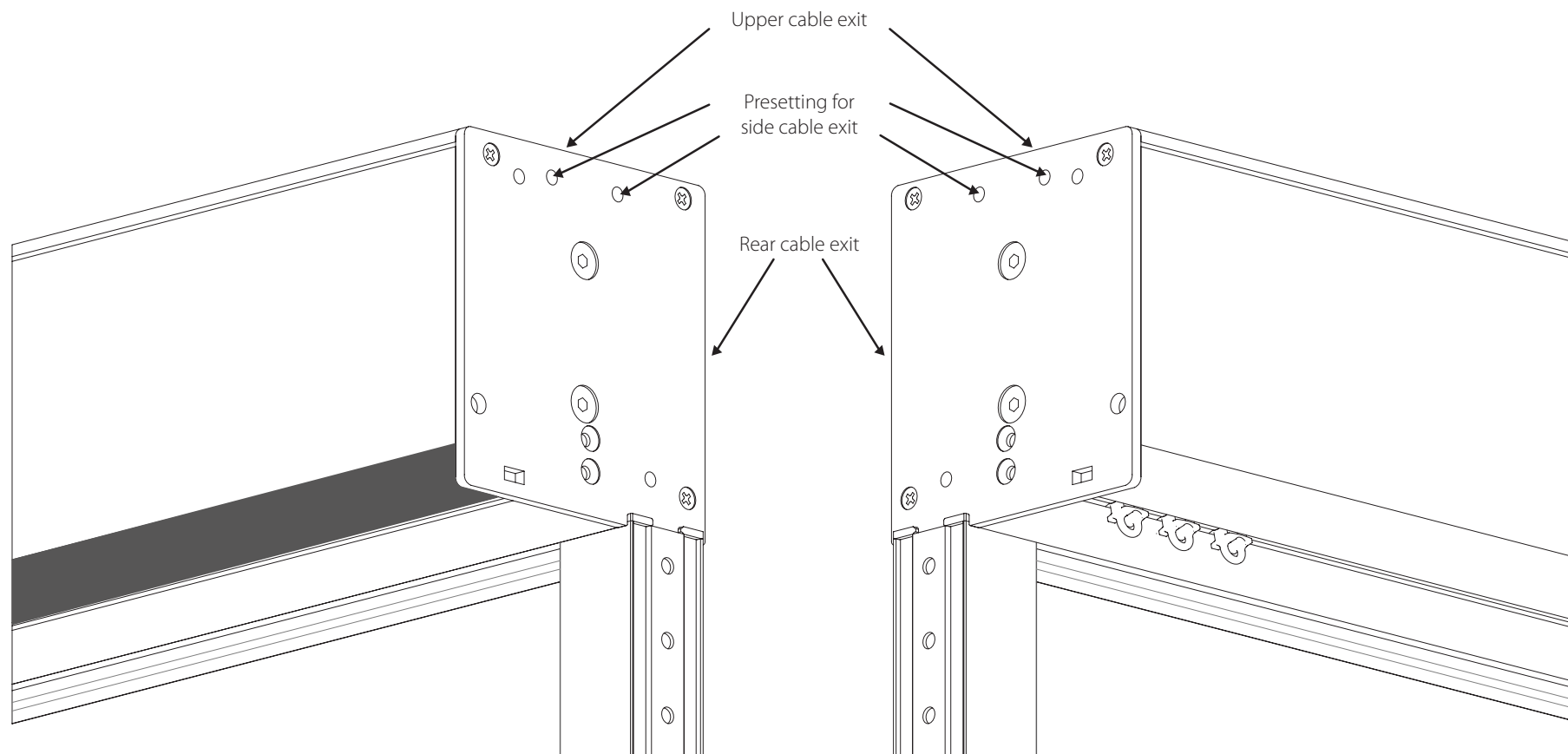
NOTE For these configurations, plates ready for runners connection will be supplied as standard for correct installation of the system.

This option is only available when installed in any compartment with side or overhead anchorage (not frontal). Not available for Corradi structures.



*ATTENTION: the protection cassette will always be supplied in the smallest size so that the canvas is always perfectly tensioned. The installer will assess whether and how to close the remaining space between the protection cassette and the surface of the compartment.

MAGIKO^B SUPPLEMENTS



S46 Lights

Warm or cold white LED light (3000 K - 5700 K) inserted in the corner of the removable protection cassette.

Note: The power supply unit and the control unit - if any - for remote switching on control must be housed in an outer space with respect to MAGIKO B encumbrance, as the space in the protection cassette is not sufficient to contain such accessories.

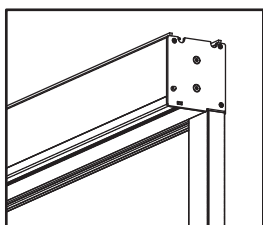
*** Warning:** optional S64 cannot be installed in the following configurations:
Motor-driven MAGIKO B 11: compartment height higher than 280 cm.
Motor-driven MAGIKO B 12: compartment height higher than 320 cm.
Manual MAGIKO B 11-12.

C1 Sliders for Indoor Awning

Number 20 awning sliders already fitted inside the removable protection cassette.

BRIO

BRIO FEATURES



is a vertical closure that can be rolled up on runners custom-made for with the purpose of protecting from sun, rain and wind, composed of aluminium structure and roll-up canvas. It can be installed on Corradi sun protection systems.

The protection cassette with safety lock can be inspected for check and maintenance of the roller tube with 78/85/100mm diameters depending on the width. The side runners with very small dimensions (33x63 mm) are separable and provided with canvas fastening system.

BRIO allows choosing between two different upper protection cassettes,

with several maximal dimensions that can be implemented: a smaller protection cassette with 11cm width and 12cm height external dimensions, and a bigger one having 12cm width and 13cm height external dimensions.

The maximal BRIO dimensions vary depending on the protection cassette dimension and/or the desired width and/or height (see data sheet at the side).

BRIO is driven by a 220 Volt motor reducer (electric drive) with integrated receiver.

The telescopic locking system supplied as standard works

best on Brio in Cristal fabric allowing for optimal tensioning of the canvas and preventing the accidental lifting of the closure. The lock acts through horizontal sliding, ensuring superior durability thanks to the presence of AISI 304 stainless steel components in the mechanism. Extensive static load testing and robust innovative components have earned the Brio lock an international patent.

A manual mechanical locking system (optional) built into the terminal is available.

In the lower part of the removable protection cassette, it is possible to apply a full-width LED light (optional) with 45° orientation inwards.

Canvas available in the following fabrics: Sunworker, Soltis 86, Soltis W96, and Glassrope (filtering), Eclissi, Lac, Precontraint, Stam (obscurant) and Insect screen up to maximum 4 metres width

List of available colours:

- RAL 9010 White glossy/matt/texture
- RAL 1013 Ivory glossy/matt
- RAL 7035 Grey glossy/matt
- RAL 8019 Brown glossy/text
- Anthracite texture
- RAL 9016 White plus matt
- Dark Bronze texture
- RAL 7016 Dark grey texture
- RAL 9005 Night texture
- Salt & Pepper texture
- Titanium texture
- Cor10 texture
- RAL K7 glossy/matt/texture

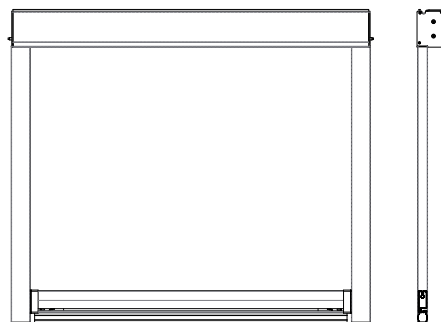
- Spring green texture
- Graphite texture
- Dove-grey texture

*See the Corradi sample kit for other fabrics.

BRIO

Wind resistance class (UNI EN 13561:2015)	
Height < 270 cm	Height > 270 cm
5	4

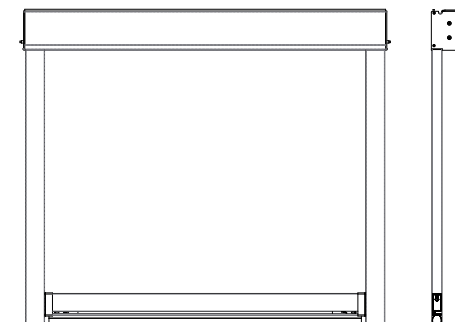
BRIO 11 PROTECTION CASSETTE 11X12 CM



BRIO 11 MAXIMUN DIMENSIONS cm

Tube	Width	Height
78	450	320
85	500	280

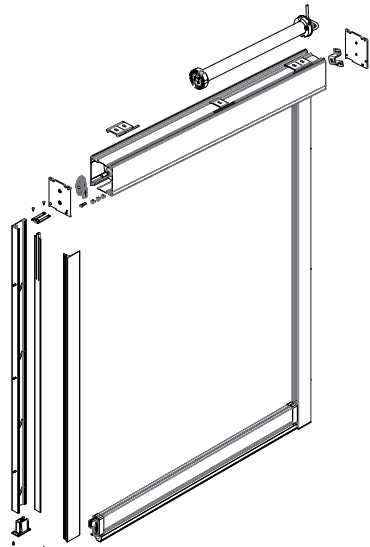
BRIO 12 PROTECTION CASSETTE 12X13 CM



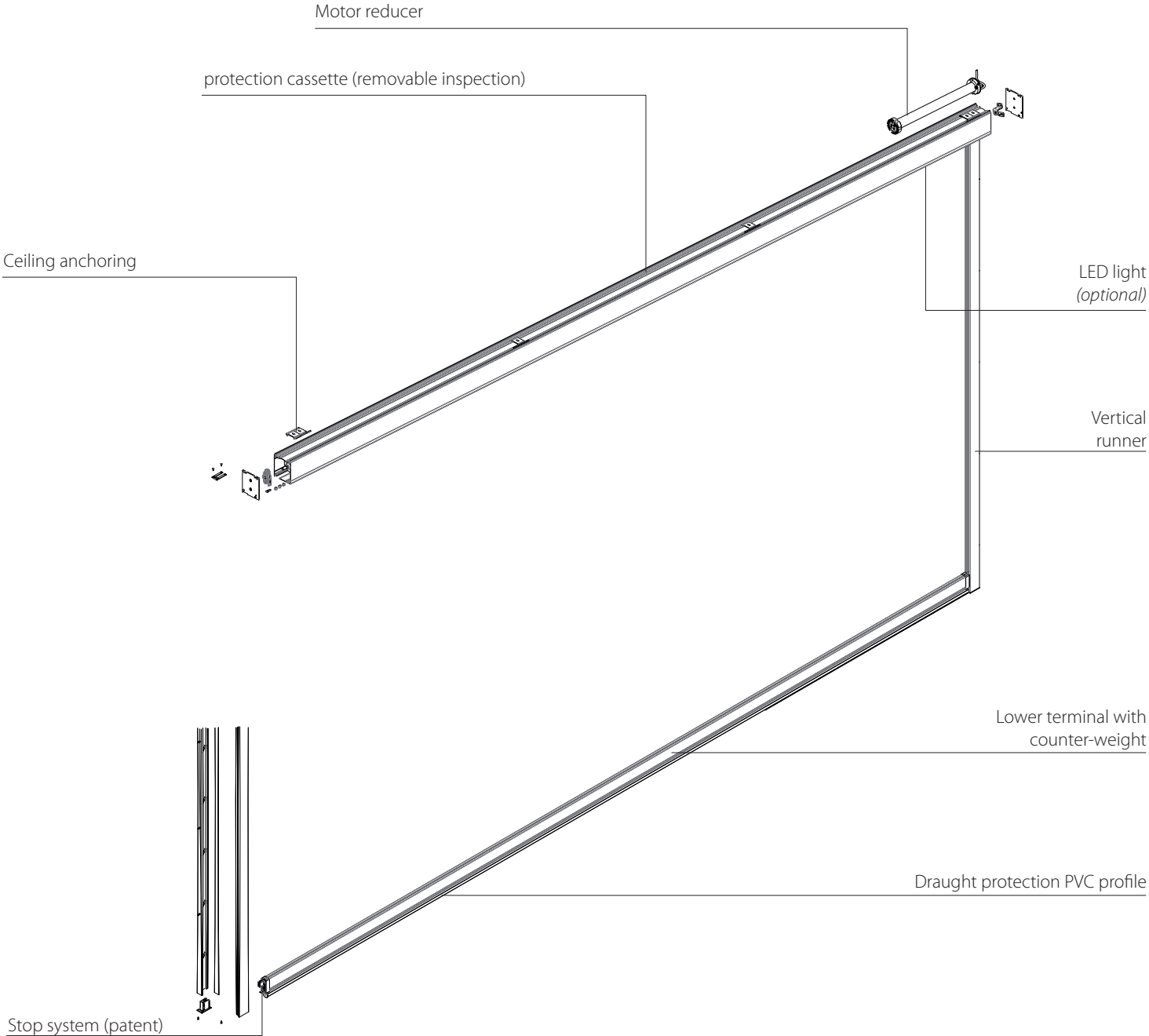
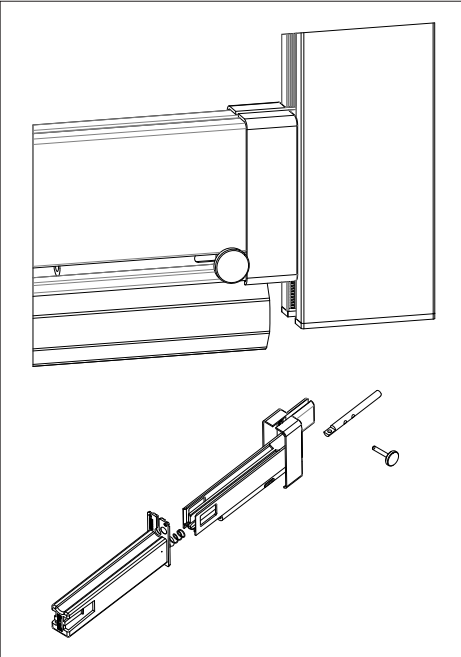
BRIO 12 MAXIMUN DIMENSIONS cm

Tube	Width	Height
78 (filtering)	450	350
78 (Cristal)	450	320
85	500	320
100 (glassrope)	600	270

BRIO



Manual locking

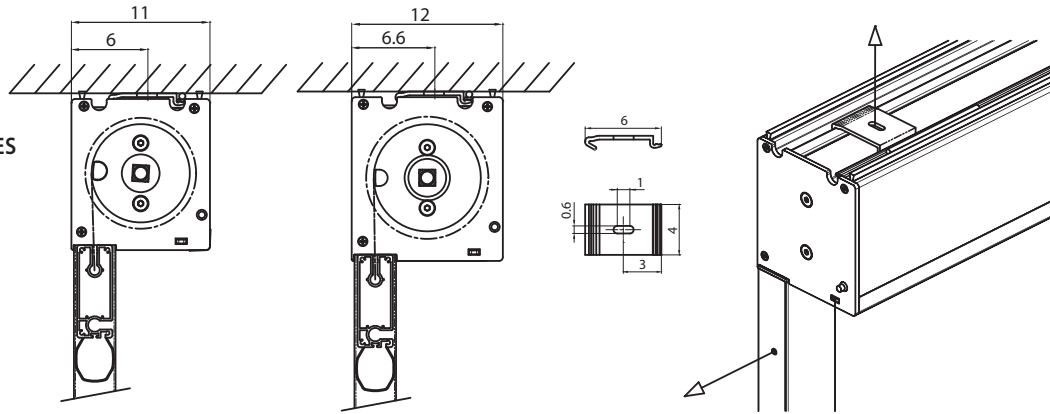


BRIO ANCHORAGES

BRIO 11
PROTECTION CASSETTE 11x12

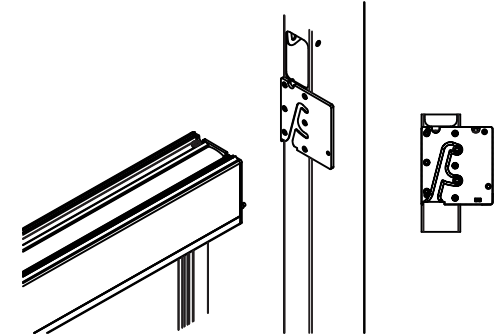
BRIO 12
PROTECTION CASSETTE 12x13

OVERHEAD ANCHORAGES
(standard)



BRIO 11
PROTECTION CASSETTE 11x12

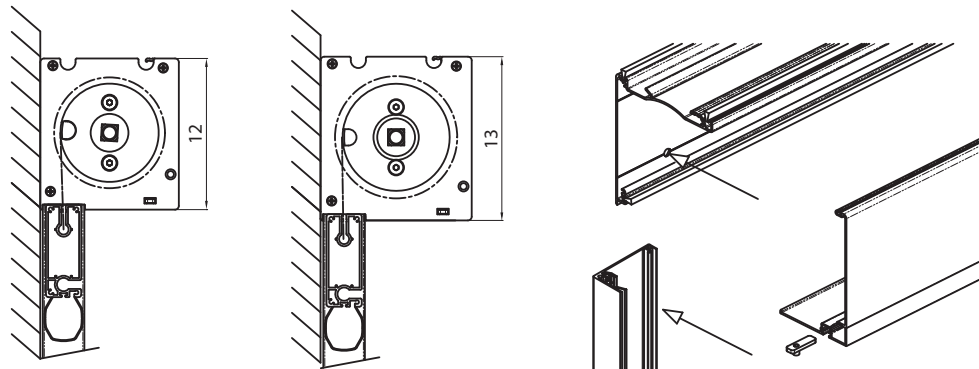
LATERAL ANCHORAGES
PERGOTENDA® PALLADIA®



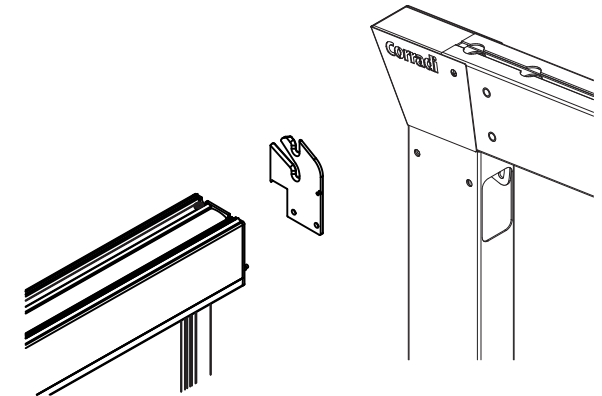
BRIO 11
PROTECTION CASSETTE 11x12

BRIO 12
PROTECTION CASSETTE 12x13

FRONTAL ANCHORAGES
(on request)



FRONTAL ANCHORAGES
PERGOTENDA® PALLADIA®

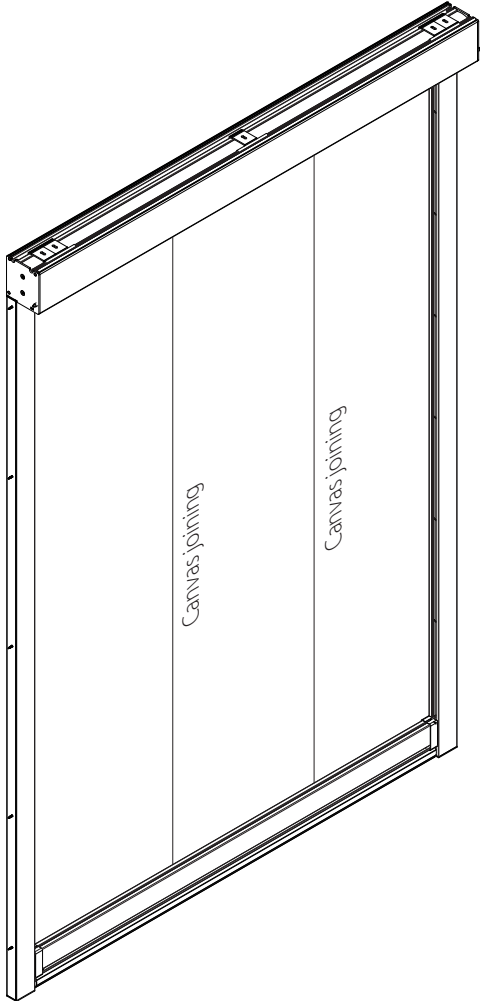


Led light not recommended

The values indicated are expressed in cm

BRIO CRISTAL CRISTAL CANVAS JOINING - WIRE WELDING

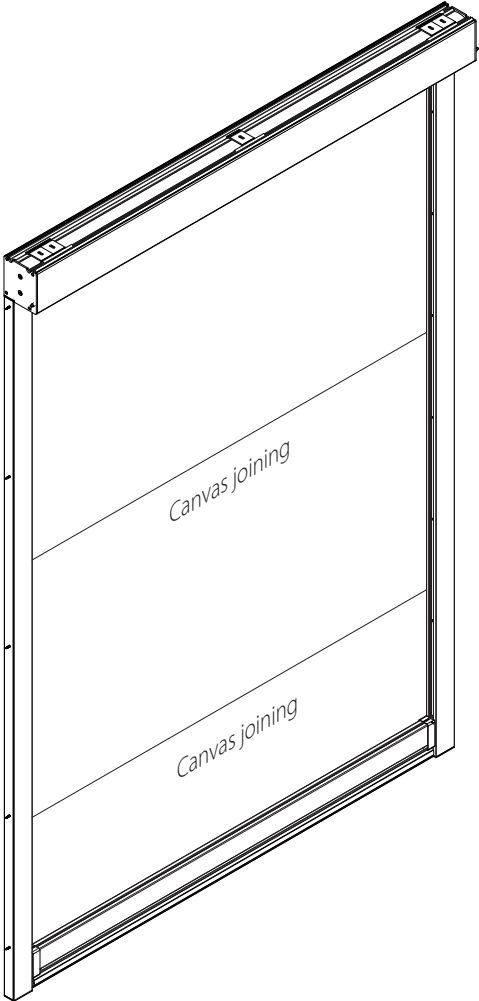
VERTICAL CANVAS JOINING



WIDTH cm

	from cm 80 to 130	from cm 131 to 260	from cm 261 to 350
Nr. Canvas	1	2	3

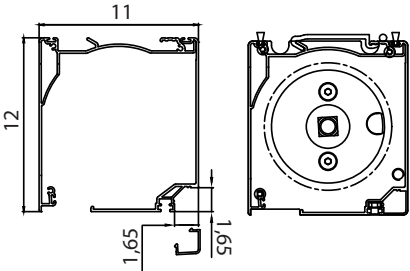
HORIZONTAL CANVAS JOINING



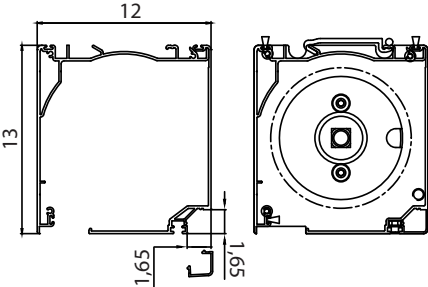
	Nr Canvas	
HEIGHT cm	from 235 to 350 cm	3
	from 100 to 235 cm	2
	up to 100 cm	1

BRIO DIMENSIONS

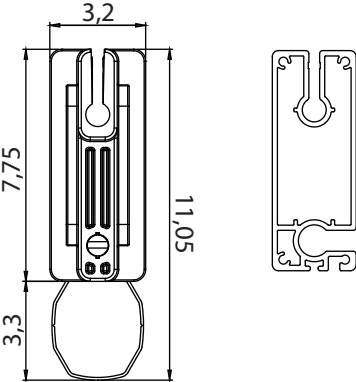
BRIO 11
PROTECTION CASSETTE 11x12



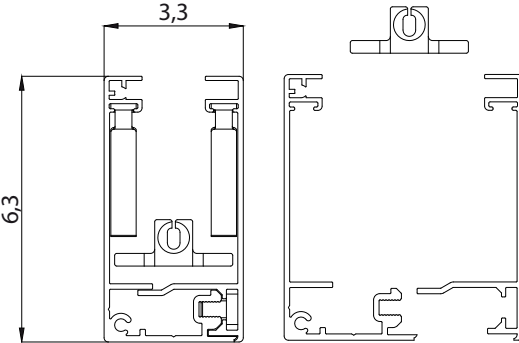
BRIO 12
PROTECTION CASSETTE 12x13



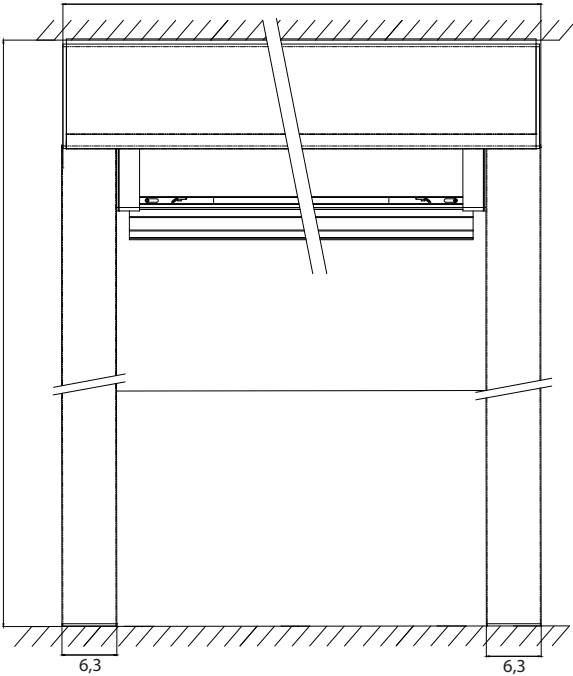
LOWER TERMINAL



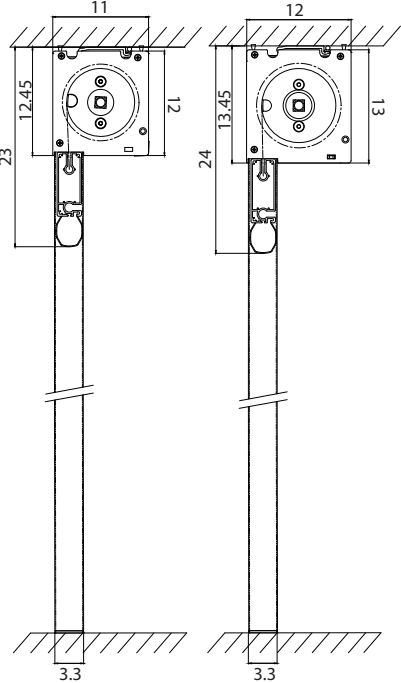
SIDE RUNNERS



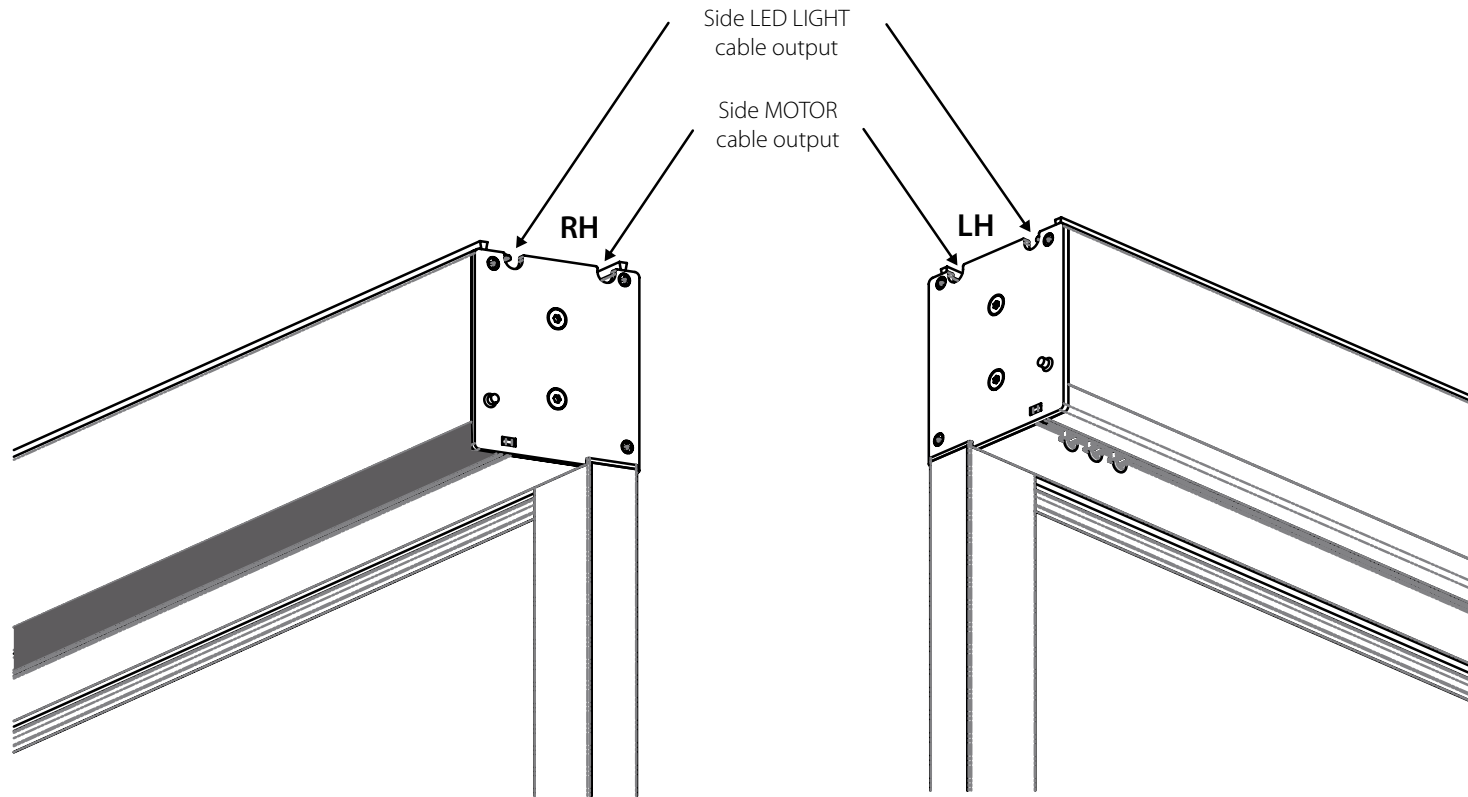
Compartment width



Compartment height



BRIO SUPPLEMENTS



S46 Lights

Warm (3000 K) white LED light, inserted in internal side of the removable protection cassette.

Note: The power supply unit and the control unit - if any - for remote switching on control must be housed in an outer space with respect to MAGIKO encumbrance, as the space in the protection cassette is not sufficient to contain such accessories.

***Please notice:** optional S46 cannot be installed with the following configurations:

BRIO 11: compartment height above 280cm

BRIO 12: compartment height above 320cm

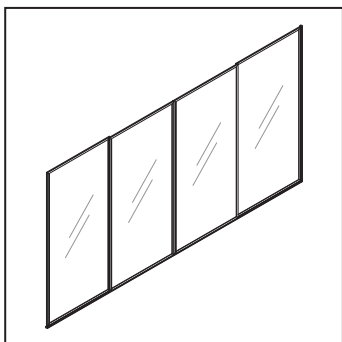
Brio with optional LED light, in front of Palladia®, is not recommended as when the structure is closed the light is covered by the mobile gutter.

CT1 Sliders for Indoor Awning

Number 20 sliders already fitted inside the removable protection cassette.

MYGLASS

MYGLASS FEATURES



All glass sliding door is a horizontal sliding system custom made to protect from wind and rain, to be installed on Corradi structures, existing structures, balconies or terraces, consisting of an aluminium structure and glass doors.

The 2- to 4-way frame with collection of all the doors near the first one, allows opening most of the surface. The structure consists of extruded aluminium section bars. Epoxy powder coating except for the lower runners, available in anodised version only.

The glass (in accordance with UNI EN 12210:2016 – RESISTANCE TO WIND LOAD – NC1) is a safety single tempered sheet, HST tested and 10 mm thick.

Between the glasses a PVC gasket can be present, that ensures a better tightness.

The sliders are equipped with double wheel, supported by ball bearings, fitted on rocker arms that allow simultaneous adherence to the rail, making sliding extremely smooth. The sliders can be adjusted in height up to 5 mm and have a maximum load capacity of 100 kg/door.

List of available colours:

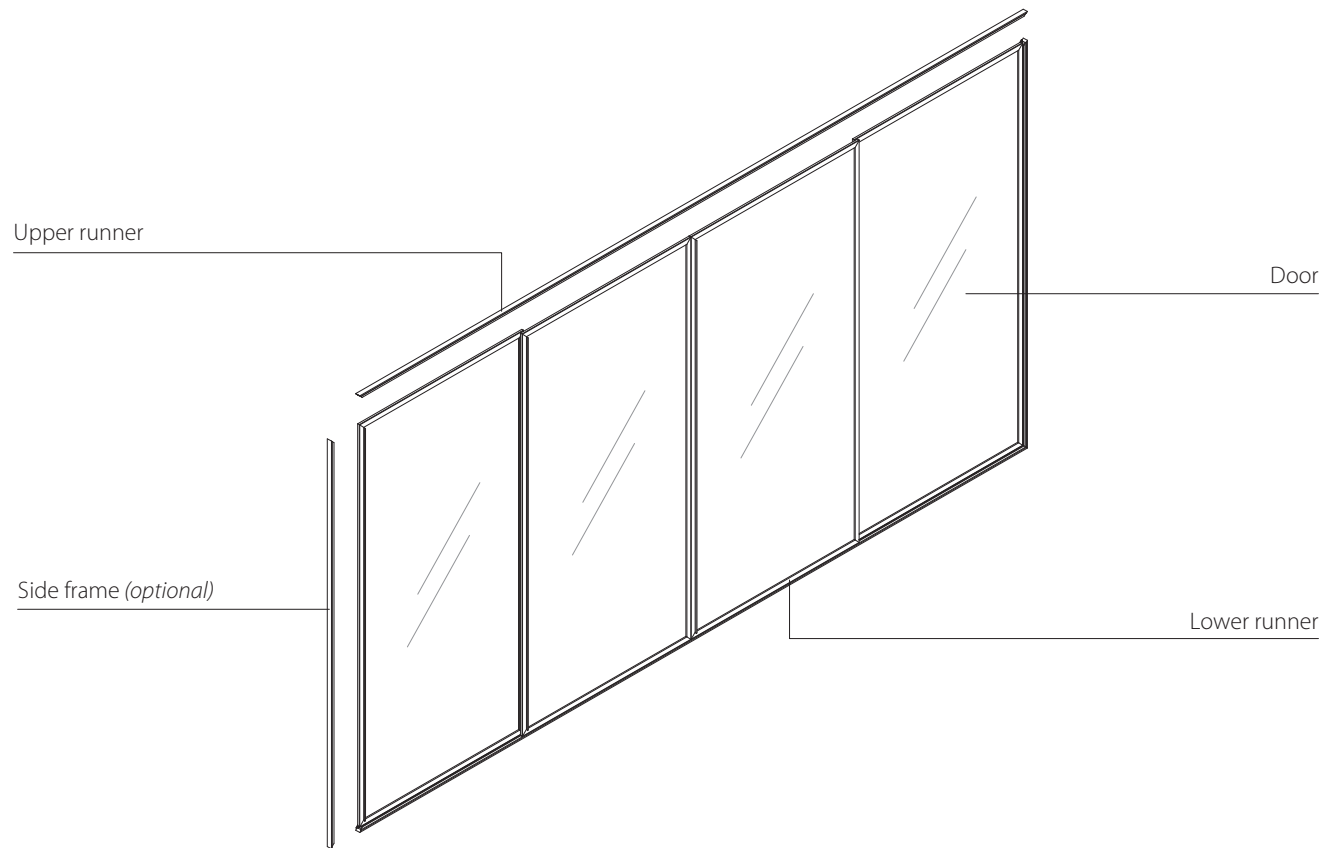
- RAL 9010 White glossy/matt/texture
- RAL 1013 Ivory glossy/matt
- RAL 7035 Grey glossy/matt
- RAL 8019 Brown glossy/text
- Anthracite texture
- RAL 9016 White plus matt
- Dark Bronze texture
- RAL 7016 Dark grey texture
- RAL 9005 Night texture
- Salt & Pepper texture
- Titanium texture
- Cor10 texture
- RAL K7 glossy/matt/texture
- Spring green texture
- Graphite texture
- Dove-grey texture

*See the Corradi sample kit for other fabrics.

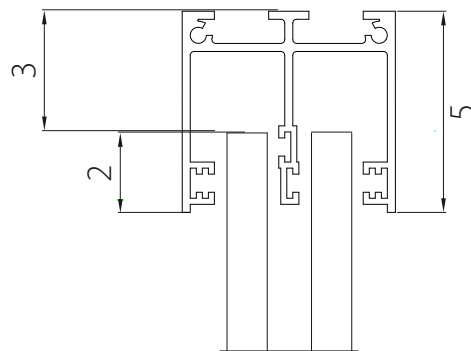
MAXIMAL DIMENSIONS FOR SYSTEM

2 ways 2 doors	300 x 260 cm
3 ways 3 doors	475 x 250 cm
4 ways 4 doors	600 x 260 cm
2 ways 4 doors	600 x 260 cm
3 ways 6 doors	950 x 250 cm
4 ways 8 doors	1000 x 300 cm

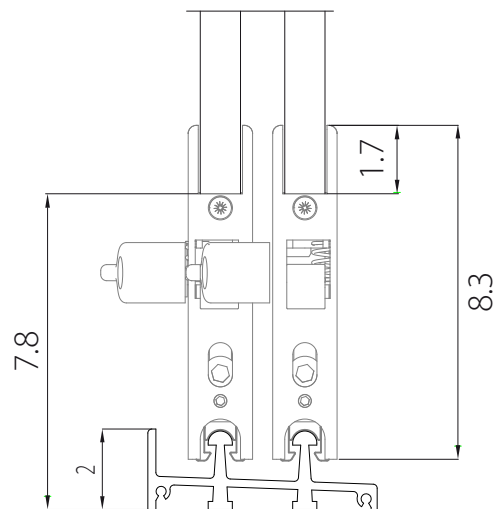
MYGLASS



MYGLASS 2 WAYS 2 DOORS / 2 WAYS 4 DOORS DIMENSIONS

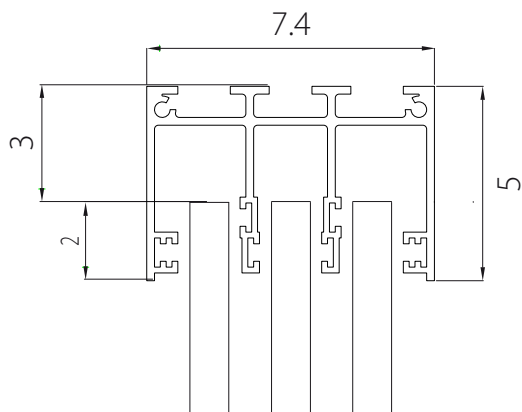


UPPER PROFILE CROSS-SECTION

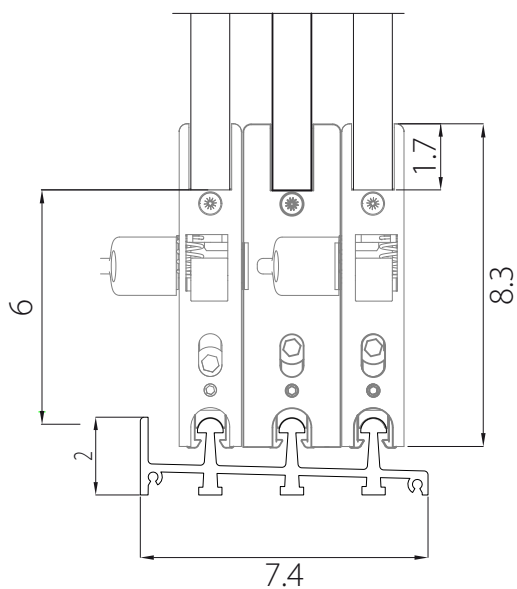


LOWER PROFILE CROSS-SECTION (*standard*)

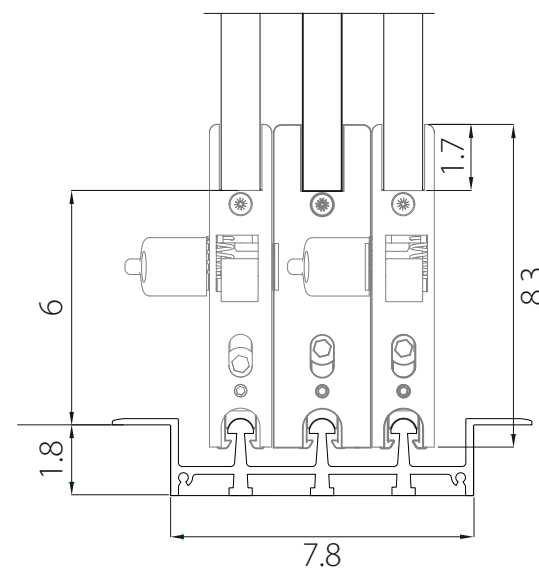
MYGLASS 3 WAYS 3 DOORS / 3 WAYS 6 DOORS DIMENSIONS



UPPER PROFILE CROSS-SECTION



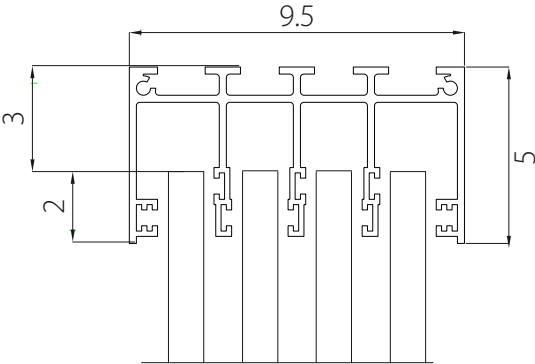
LOWER PROFILE CROSS-SECTION (standard)



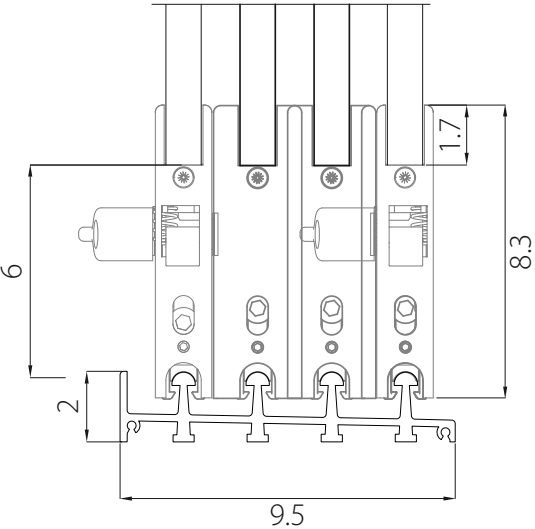
BUILT-IN LOWER PROFILE CROSS-SECTION
Required for installation on Imago with Domino

The values indicated are expressed in cm

MYGLASS 4 WAYS 4 DOORS / 4 WAYS 8 DOORS DIMENSIONS



UPPER PROFILE CROSS-SECTION



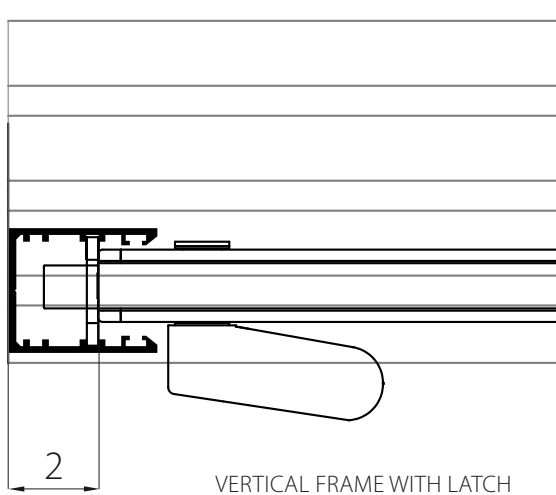
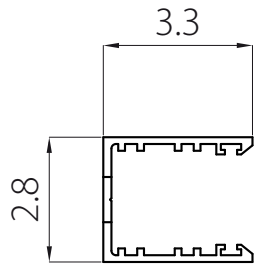
LOWER PROFILE CROSS-SECTION (standard)

The values indicated are expressed in cm

MYGLASS DIMENSIONS OPTIONAL

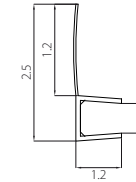
VERTICAL FRAME

Attention: it is mandatory to insert this option in case of handles with lock or locking system with latch, positioned against the pillar.
In this case the PVC ball gasket, supplied as standard, is not present.



TRANSPARENT PVC PROFILE

Attention: in the standard version no gap gasket is included.



The values indicated are expressed in cm

MYGLASS FASTENING SYSTEMS

A lock and a locking device can be inserted as optional to stop the doors from the inside and from the outside.
If solutions with lock or latch are not present, plastic blocks are supplied, to be fixed to the upper runner to lock the outermost doors.

HANDLES AND LOCKS



Handle, d. 60 mm (standard).

NOTE: for 2 ways 2 doors, 3 ways 3 doors and 4 ways 4 doors systems just one recess is included. For systems with central opening (2 ways 4 doors, 3 ways 6 doors and 4 ways 8 doors systems) 2 recesses are included as standard.



Handle with key
(against the pillar).



Counter-lock in combination with
lock for central opening.

LOCKING SYSTEM WITH LATCH (*optional*)

Available both against the pillar and for central opening (if any)

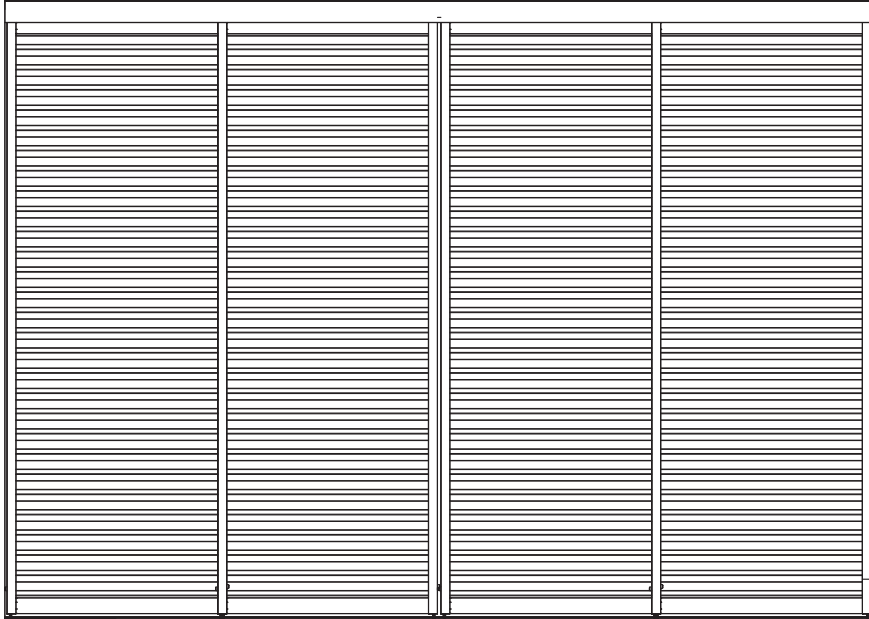


MYGLASS STRUCTURE COMPATIBILITY

STRUCTURE	POSITION	BEAM CROSS-SECTION	RESTING SURFACE	2 WAYS 2 DOORS	3 WAYS 3 DOORS	4 WAYS 4 DOORS	2 WAYS 4 DOORS	3 WAYS 6 DOORS	4 WAYS 8 DOORS
PERGOTENDA® 45	FRONT	12x12	12	YES	YES	YES	YES	YES	YES
	SIDE	12x12	12	YES	YES	YES	YES	YES	YES
PERGOTENDA® B-SPACE	FRONT	12x12	12	YES	YES	YES	YES	YES	YES
	SIDE	12x12	12	YES	YES	YES	YES	YES	YES
PERGOTENDA® PALLADIA®	FRONT	6x12	12	YES	YES	YES	YES	YES	YES
	SIDE	6x12	6	YES	NO	NO	YES	NO	NO
PERGOTENDA® IRIDIUM	FRONT	6X12	12	YES	YES	YES	YES	YES	YES
	SIDE	6X12	6	YES	NO	NO	YES	NO	NO
PERGOTENDA® MAESTRO	FRONT	15	11	YES	YES	YES	YES	YES	YES
	SIDE	15	11	YES	YES	YES	YES	YES	YES
PERGOTENDA® MAESTRO (with SWING)	FRONT	15	6.9	YES	YES	NO	YES	YES	NO
	SIDE	15	6.9	YES	YES	NO	YES	YES	NO
PERGOTENDA® MILLENNIUM® CELEB	FRONT	12x12	12	YES	YES	YES	YES	YES	YES
	SIDE	12x12	12	YES	YES	YES	YES	YES	YES
PERGOTENDA® MILLENIUM® CELEB (with CELEBRITY)	FRONT	WITH LED	6.2	YES	NO	NO	YES	NO	NO
		NO LED	7.9	YES	YES	NO	YES	YES	NO
	SIDE	WITH LED	6.2	YES	NO	NO	YES	NO	NO
		NO LED	7.9	YES	YES	NO	YES	YES	NO
ALBA	FRONT	11X11	11	YES	YES	YES	YES	YES	YES
	SIDE	11X11	11	YES	YES	YES	YES	YES	YES
BIOCLIMATICS MAESTRO	FRONT	15	11	YES	YES	YES	YES	YES	YES
	SIDE	15	11	YES	YES	YES	YES	YES	YES
BIOCLIMATICS MAESTRO (with SWING)	FRONT	15	6.9	YES	YES	NO	YES	YES	NO
	SIDE	15	6.9	YES	YES	NO	YES	YES	NO
IMAGO				INTEGRATED	INTEGRATED	NO	INTEGRATED	INTEGRATED	NO

AURA

AURA FEATURES



AURA is a custom-made horizontal sliding system for sun protection, to be installed on Corradi structures and existing structures. This system consists of panels composed of an aluminium frame and aluminium or wood blades, fixed or manually adjustable. The frame can have 2 runners only.

List of available colours for aluminium:

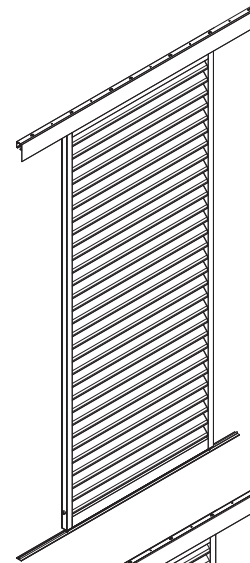
- RAL 9010 White glossy/matt/texture
- RAL 1013 Ivory glossy/matt
- RAL 7035 Grey glossy/matt
- RAL 8019 Brown glossy/text
- Anthracite texture
- RAL 9016 White plus matt
- Dark Bronze texture
- RAL 7016 Dark grey texture
- RAL 9005 Night texture
- Salt & Pepper texture
- Titanium texture
- Cor10 texture
- RAL K7 glossy/matt/texture

- Spring green texture
- Graphite texture
- Dove-grey texture

*See the Corradi sample kit for other fabrics.

Available with system having 2 runners for 2 or 4 panels.
 With 2 panels it is possible to close up to 2250 mm.
 With 4 panels it is possible to close up to 4400 mm.

To close larger openings it is necessary to use several systems adjacent to one another and the intermediate pillar.



AURA PANEL

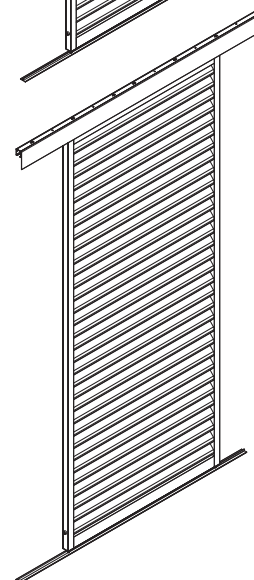
AURA

Frame and adjustable blades in aluminium

AURA

Aluminium frame and adjustable blades in wood

Maximum height under beam: 2600 mm



AURA PANEL

AURA

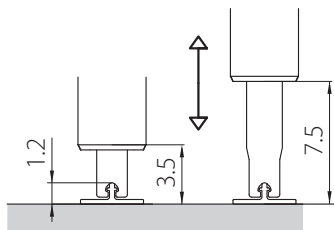
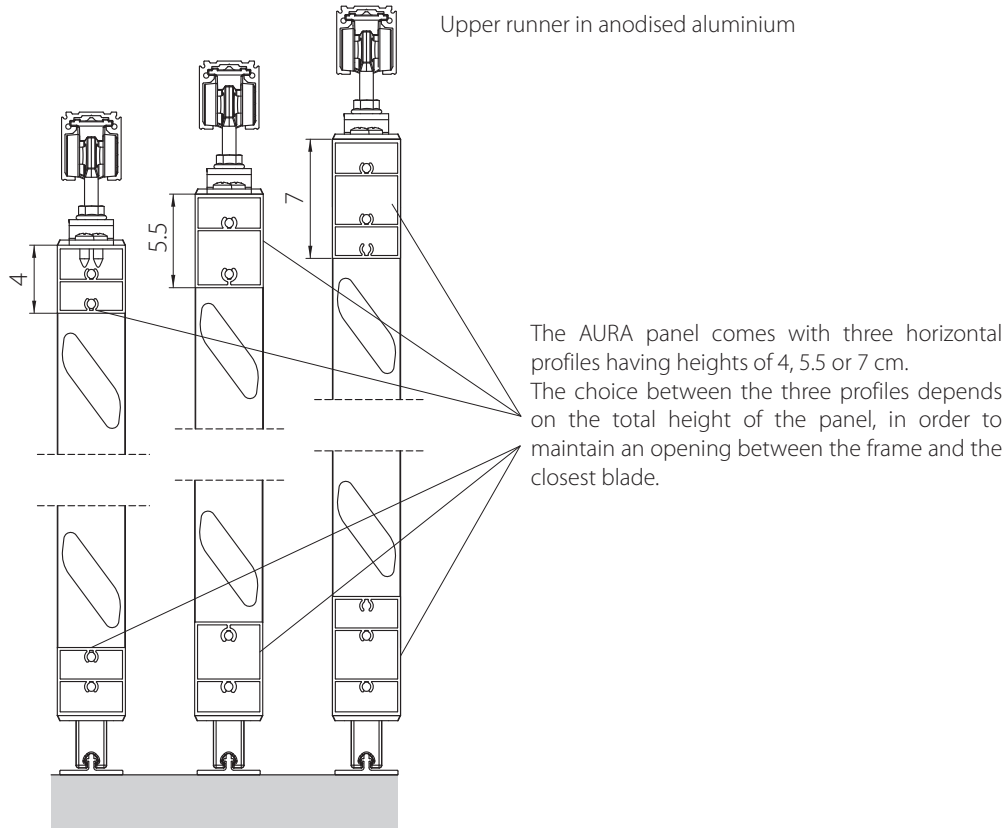
Frame and fixed blades in aluminium

AURA

Aluminium frame and fixed blades in wood

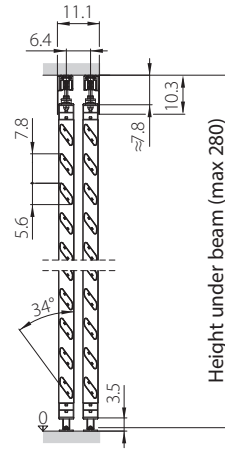
Maximum height under beam: 2800 mm

AURA DIMENSIONS



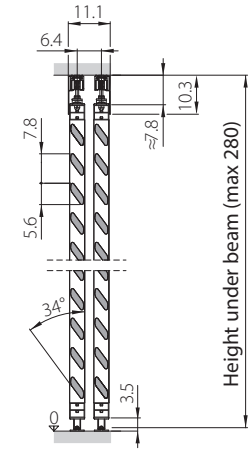
- Bottom runner in anodised aluminium
 - Adjustable lower runner to use on sliding systems with slope up to 5 cm.

The values indicated are expressed in cm



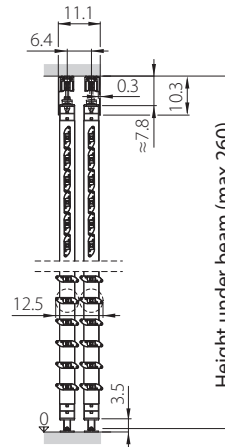
AURA

Frame and fixed blades in aluminium. Possibility of having the blades in a colour different from the frame.



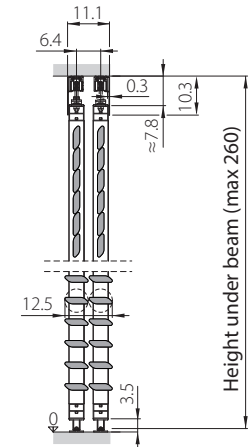
AURA

Aluminium frame and blades in shrunk ash wood*.



AURA

Frame and adjustable blades in aluminium. Independent manual movement of the blades for the upper and lower area of the panel. Possibility of having the blades in a colour different from the frame.



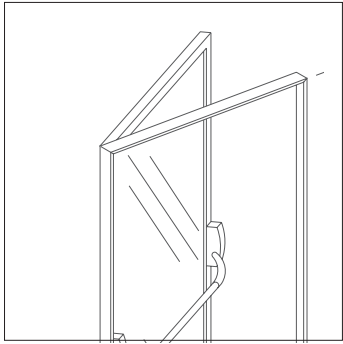
AURA

Aluminium frame and adjustable blades in shrunk ash wood*. Independent manual movement of the blades for the upper and lower area of the panel.

*If mahogany colour is missing, the wood colour of the blades can be slightly different and a natural greying process will occur over time. To keep the wood in good conditions over time, it must be protected with special products according to the instructions given in the laying manual.

DOOR WITH PUSH BAR

DOOR WITH PUSH BAR FEATURES



DOOR WITH PUSH BAR is a control system designed for all installations requiring an easy exit. The door comprises a load bearing aluminium structure and a swinging glass pane. The door is fitted with a push bar, also known as an anti-panic bar, and an external handle with key (external only).

The door can be fitted with a push bar or traditional handle (inside the structure), while the outside is always fitted with a traditional handle with key. Handles and hinges can be finished in one of two colours (black or silver).

The structure is made of extruded aluminium section bars in 6060 alloy. Aluminium structure painted with certified Qualicoat cycle epoxy powders.

The handle and hinge components are always matt black.

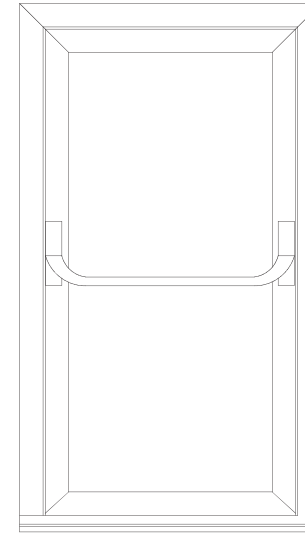
The glass used (in accordance with UNI EN 7697:2007 - SAFETY CRITERIA FOR GLAZING APPLICATIONS) is toughened or safety laminated 6/7 mm (comprising two 3 mm Floats with PVB in between, thickness approx. 6.4 mm). The seal is secured with a double brush seal around the entire perimeter of the frame.

N.B. The door with push bar cannot be used as a safety exit.

Available colours:

- RAL 9010 White glossy/matt/texture
- RAL 1013 Ivory glossy/matt
- RAL 7035 Grey glossy/matt
- RAL 8019 Brown glossy/text
- Anthracite texture
- RAL 9016 White plus matt
- Dark Bronze texture
- RAL 7016 Dark Grey texture
- RAL 9005 Night texture
- Salt & Pepper texture
- Titanium texture
- Cor10 texture
- RAL K7 glossy/matt/texture
- Spring green texture
- Graphite texture
- Dove-grey texture

*See Corradi sample kit for other fabrics.

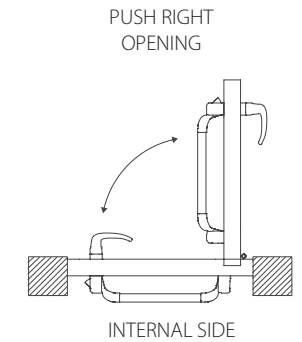
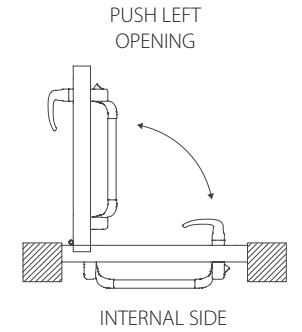
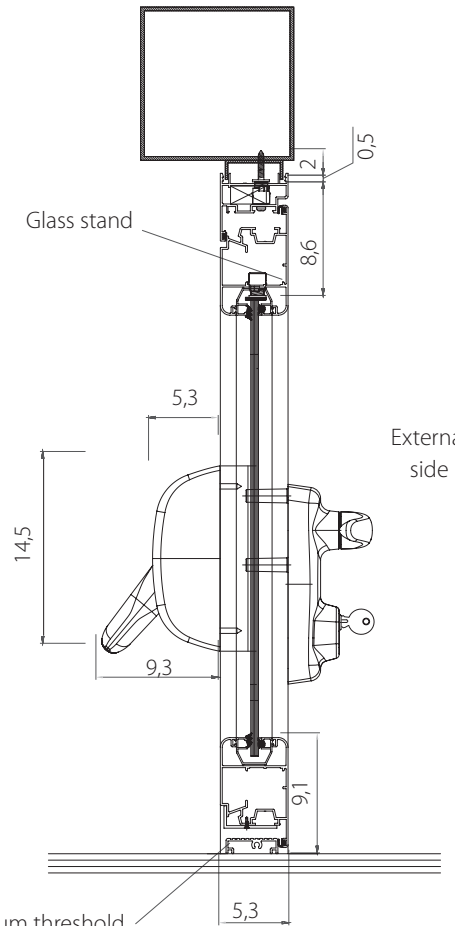
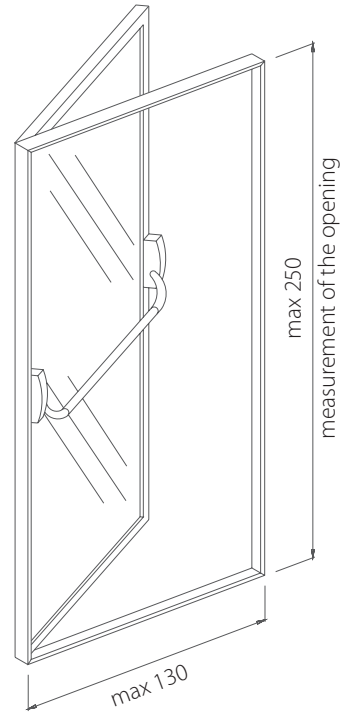
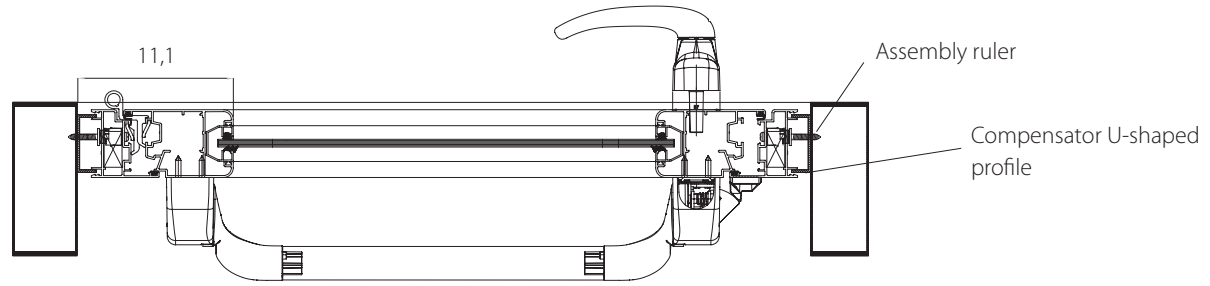
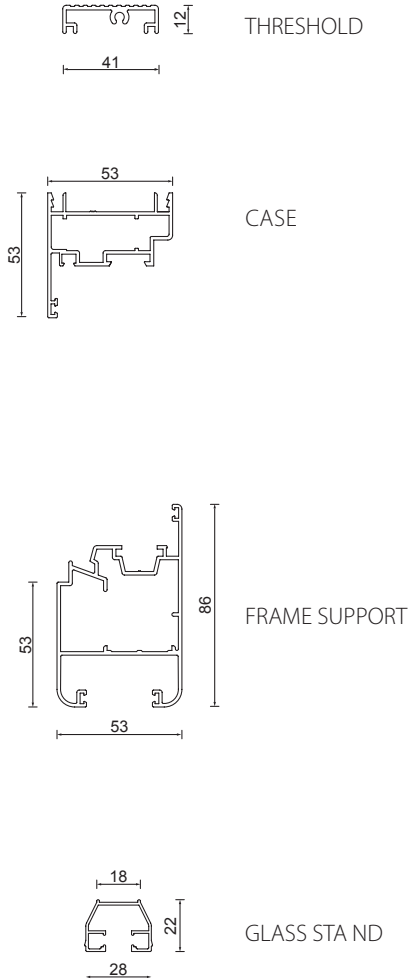


MAXIMUM DIMENSIONS cm 130x250

opening measurement

DOOR WITH PUSH BAR DIMENSIONS

PROFILE SECTION



All measurements are given in cm

Aluminium threshold

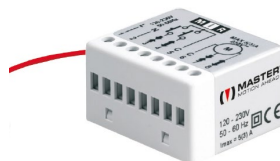
MASTER MOTORS AND AUTOMATISMS - ERMETIKA® XL, DIFFUSA ETK® XL, MAGIKO B E BRIO



MODO MOTOR

(code 1-GC692100)

45 mm tubular motor with electronic limit switch.



MIR WHITE

(code 1-GC532100)

Control for white LEDs, maximum amperage 13 A, dimming.

REMOTE CONTROLS



Arc 1

(no. 1 channel)
(code 05260)



Arc 10

(10 channel)
(code 05261)



Flute 5

(5 channel)
(code 05263)



Visio 20

(20 channel)
(code 1-GC694400)

REMOTE MANAGEMENT VIA APP

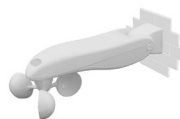


BTIME

(code 1-GC661400)

Android device designed to control the movements of the bioclimatic pergola via App.

SENSORS

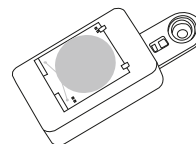


Sun/wind sensor, hardwired (min. 5 – max. 70 km/h)

(code 1-GC690110)

Sun/wind sensor, battery (min. 5 – max. 70 km/h)

(code 1-GC690100)



Rain gauge kit

(code 05437)

INTEGRATION WITH HOME AUTOMATION



MIR DCT

(code 05372)

MIR DCT is the radio transmitter suitable for radio control. There are 3 dry contact inputs for application of control buttons or interfacing buttons with other devices.

BUTTON CABLE CONNECTION

4-pole extension cable for WIB technology (code 1-GC710400)

It can be connected directly to home automation or to the WIB M20 rain/temperature sensor.

SOMFY® IO MOTORS AND AUTOMATISMS - ERMETIKA® XL, DIFFUSA ETK® XL, MAGIKO B E BRIO



MODO MOTOR

(cod. 05964)
Tubular motor with electronic limit switch.
Art. 1114281



WHITE LED RECEIVER IO

(cod. 1-GC702600)
Control for up to 4 white LED sources, dimming.
No.4 independent outputs.
Art. 1822611

SETTING TOOL FOR BIOCLIMATIC PERGOLAS



SET&GO IO

(code 1-GC704100)
Installation tool that can be used to make adjustments via computer on Somfy IO applications (**no MacOS**).
Art. 9017035

This tool is used for programming products, but it cannot replace remote controls for ordinary handling and any subsequent interventions. **It is therefore necessary to purchase 1 or more remote controls.**

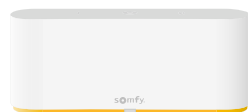
INTEGRATION WITH HOME AUTOMATION

DRY CONTACT IO

(code 1-GC704400)
IO radio transmitter capable of controlling all IO receivers. Not compatible with the LED RGB IO system.
Art. 9018155



REMOTE MANAGEMENT VIA APP



TAHOMA SWITCH

(code 1-GC704000)
Device connected to the home internet network that allows remote control and management of connected devices from Smartphones and tablets via dedicated App.
Art. 1870594

ATTENTION: Tahoma Switch and Nina do not allow motor programming, therefore it is always necessary to purchase at least one remote control.

SENSORS



EOLIS IO 230V

(code 1-GC703200)
Façade sensor powered at 230V-50Hz for protection of the bioclimatic pergola in case of wind.
Art. 1816092



EOLIS IO WIREFREE

(cod. 1-GC703500)
Façade sensor for protection of the product in case of wind.
Battery-powered sensor.
Art. 1816084



SOLIRIS IO 230V

(code 1-GC703300)
Façade sensor powered at 230V-50Hz to control the automatic closure of the bioclimatic pergola in case of wind and according to light intensity (sun).
Art. 1870532



ONDEIS 230V

(code 1-GC703600)
Rain detection device powered at 230V-50Hz. DRY CONTACT IO or Eolis IO 230 V transmitter required.
Art. 9016345



THERMIS WIREFREE IO

(cod. 1-GC703700)
Wireless temperature sensor. It must be coupled with Tahoma Switch.
Art. 1822303



SUNIS WIREFREE IO II

(cod. 1-GC703800)
Wireless sun threshold sensor. It must be coupled with Tahoma Switch, Nina, or Situo 5 Var.
Art. 1818285

RADIOCOMANDI



Situo 1 IO Pure

(1 channel)
(code 05963-1PUR)
Art. 1870314



Situo 1 IO Iron

(1 channel)
(code 05963-1TIT)
Art. 1870318



Situo 5 Var A/M IO Pure

(5 channel)
(code 1-GC702800)
Art. 1870371



Nina IO

(60 channels – 30 units)
(code 1-GC702900)
Art. 1805251

SOMFY® IO MOTORS AND AUTOMATISMS - MORE INFORMATION

ITEM	BIOCLIMATICS & SWING	SCREEN (Ermetika® XL, Diffusa ETK® XL, Magiko B e Brio)	Notes
Eolis IO 230V	•	-	
Soliris IO 230V	•	-	
Ondeis 24V	•	-	
Eolis Wirefree IO	-	•	
Ondeis 230V	-	•	DRY CONTACT IO or Eolis IO 230 V transmitter required.
Thermis Wirefree IO	-	•	It must be coupled with Tahoma Switch
Sunis Wirefree IO	-	•	It must be coupled with Tahoma Switch, Nina, or Situo 5 Var

- Present (with possible limitations)
- Not possible

Corradi Srl
Via M. Serenari, 20 • 40013 Castel Maggiore (BO), Italy
T +39 051 4188 411 • F +39 051 4188 400
E hello@corradi.eu

www.corradi.eu

