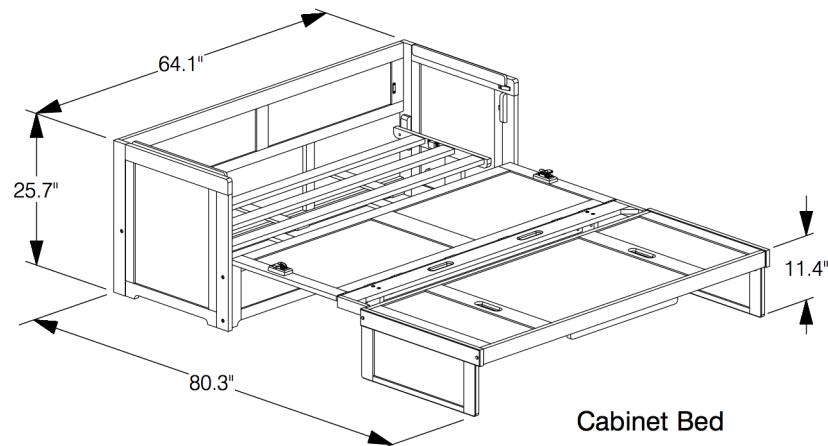


Cabinet



Cabinet Bed

**Murphy Cube 2 Cabinet Bed**

	Box H	Box W	Box L	Cubes	Net Wt.	Gr. Wt.
MUR-CUB2-QEN-	245mm	730mm	1685mm	0.301m3	52.0Kg	58.0Kg
	9.6"	28.7"	66.3"	10.64cuft	114.6lb	127.9lb

**Assembled Product and Carton Dimensions\***

*\*Please Note The Above Weights and Measures may be subject to change without notice.*

**Luxurious Beds and Linens**



Luxurious Beds and Linens Website: [www.LBAL.ca](http://www.LBAL.ca)  
 Toll Free +1 (877) 323-8065 Email: [info@LBAL.ca](mailto:info@LBAL.ca)

**C u b e**

*Murphy Cabinet Bed*