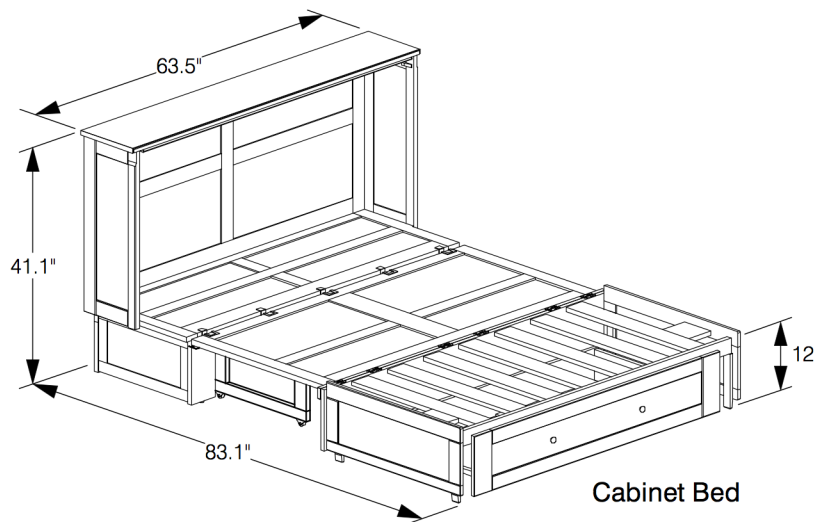


Cabinet



Cabinet Bed

Clover Murphy Cabinet Bed

Box H	Box W	Box L	Cubes	Net Wt.	Gr. Wt.
875mm	685mm	1695mm	1.016m3	75.0Kg	90.0Kg
34.4"	27.0"	66.7"	35.88cuft	165.3lb	198.4lb

Assembled Product and Carton Dimensions*

**Please Note The Above Weights and Measures may be subject to change without notice.*

Luxurious Beds & Linens



Luxurious Beds and Linens Website: www.LBAL.ca
 Toll Free +1 (877) 323-8065 Email: info@LBAL.ca

Clover
Murphy Cabinet Bed