

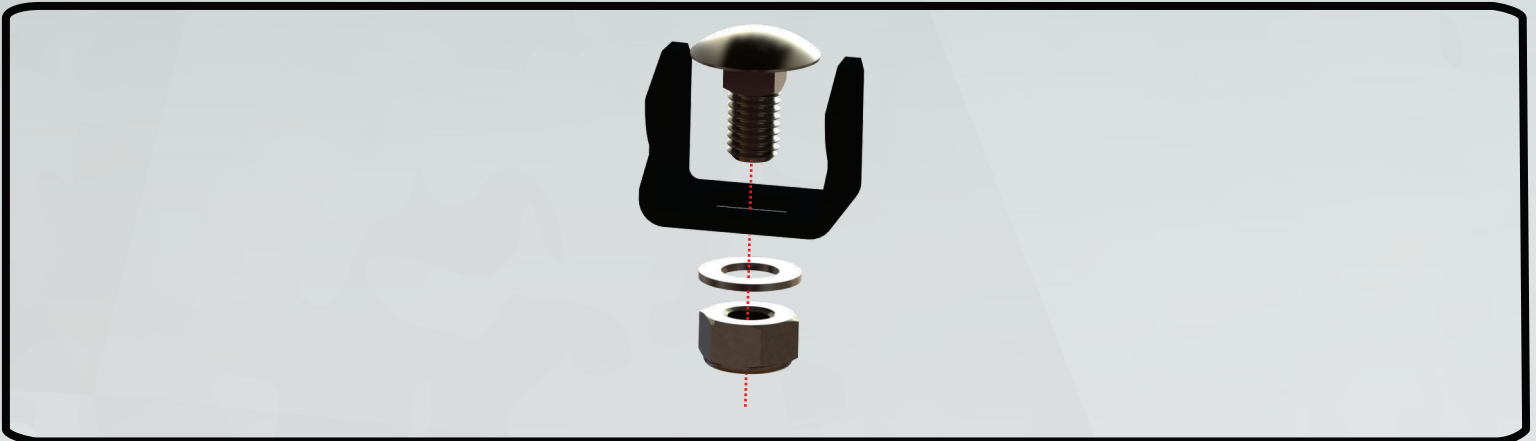
# 1 BANGER ASSEMBLY GUIDE

**WARNING:** By reading this document, you agree it is only to be used as an educational guide. Morimoto Lighting nor its dealers make guarantees on any finished results, nor are they to be held responsible for any damage, misuse, or personal injuries. If you are unable to clearly understand and adapt the information below, professional installation is recommended.

1. The u-brackets are fitted under the molded pulp insert. Remove u-brackets prior to discarding insert!



2. Fit the carriage bolt through the u-bracket. When mounting, use the included washer and lock nut.



3. Remove the four (4) M4 screws using a Torx T20 bit driver. Fit bracket. Reinstall screws. Do not overtighten!

