

Recharge

- On the right earcup, carefully plug the USB cable into USB charging port and connect the other end of the cable to either a computer USB port or to a USB-compatible car or wall charger.
- Solid red LED light will appear to indicate when the headphone is charging.
- When charging is complete, the LED light will turn Blue.
- Charging time is approximately 1.5 hours.

Turn It On/Off

- Press & hold the power button on the right side of the headphone for about 3 seconds until the LED indicator light turns on.
- Press & hold the power button again for 3 seconds until the LED light turns off.

Pair & Connect With New Device


- Power on the wireless bluetooth headphone (refer to the "Turn It On" section).
- To pair the headphone with a new device, the red & blue LED light blink to indicate it is ready to be paired with you device.
- On your Bluetooth-enabled smartphone, tablet or media player, navigate to the Bluetooth settings menu, turn on the Bluetooth feature, and search for new devices. After a few seconds you will see "MH-O710BT" listed.
- Tap this model to select it. Solid blue LED light indicate your device has successfully paired.
- With your previously paired device's Bluetooth turned on and in range, the headphone will automatically reconnect to the last Bluetooth device it was connected to.

NOTE: If the headphone is not used within 5 minutes, the headphones will automatically turn off to save battery.

Play

- Connect your device to the headphone via Bluetooth (refer to the "Pair & Connect" section)
- Open your favorite music app and press play.
- Control the music, track & volume from your device, or control the music & volume. Press the Power button once to play/pause music & answer calls, press it twice to redial the last number called on your phone, and press & hold it to reject an incoming call.
- All audio, including music, games, videos, and notifications will be routed through the headphone.

Button Function

- Press & Hold + button (refer to product Diagram) to turn up the volume
- Press & Hold - button (refer to product Diagram) to turn down the volume.
- Press + button (refer to product Diagram) to next track.
- Press - button (refer to product Diagram) to previous track.
- Press  button (refer to product Diagram) to Voice Assistant.

Troubleshooting

Without Charge

Music is not playing over Bluetooth

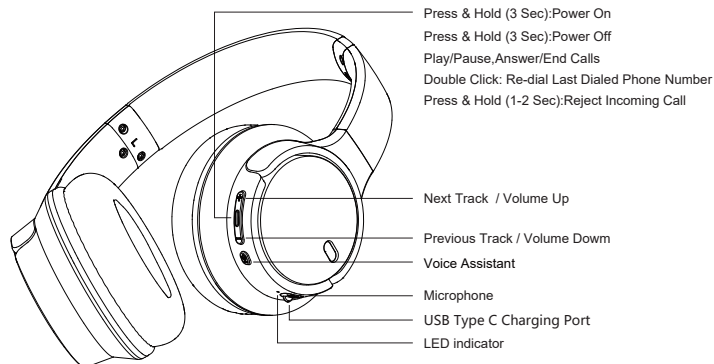
Bluetooth device will not reconnect with the headphone

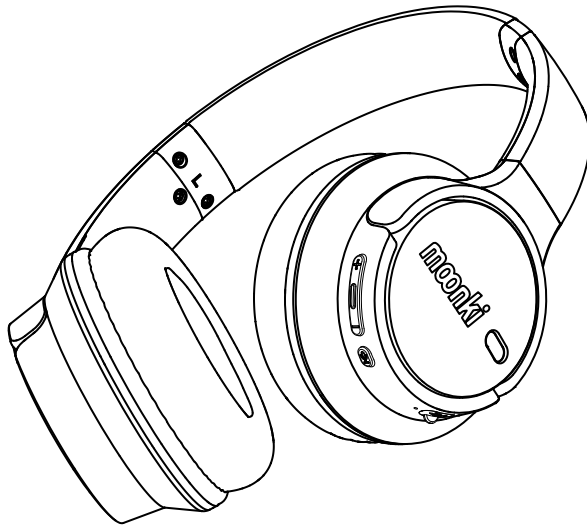
Recharge your wireless bluetooth headphone using the USB cable.

Make sure your Bluetooth device has A2DP profile. Check if both devices are paired and connected over Bluetooth. Restart the headphone to reconnect your Bluetooth device.

Navigate to your Bluetooth settings menu on your Bluetooth device, tap "MH-O710BT", and select "Forget". Now follow the steps to pair your device again. Or, press & hold the power button on the headphone (while powered on) to disconnect the headphones from any connected devices. Then follow the steps to reconnect your device.

Product Diagram





MH-O710BT

Bluetooth High Definition On
Ear Foldable Headphones

Using Manual



moonki[®]
S O U N D
AUDIO PROFESSIONAL

Dear Costumer:

Congratulations on the purchasing of your Moonki Sound speaker!

You are now the owner of a high quality speaker, made with superior performance parts, and designed with a professional sound base.

This product count with a period of **6 month** of warranty, during witch any malfunction from factory will be solve by the authorize personal. Depending on the defect, the unit might be change for a new one, repaired or make a credit note (all this will depend on the defect and the disposition for spare parts), as well of the time of response will variate.

This warranty do not cover any damage derive from incorrect connections, wrong handling of the unit or damage for mechanical forces on the unit or any of it accesories.

In case of technical support, please contact to rma@moonki.com There you will receive all the prosses information to tramit the warranty.