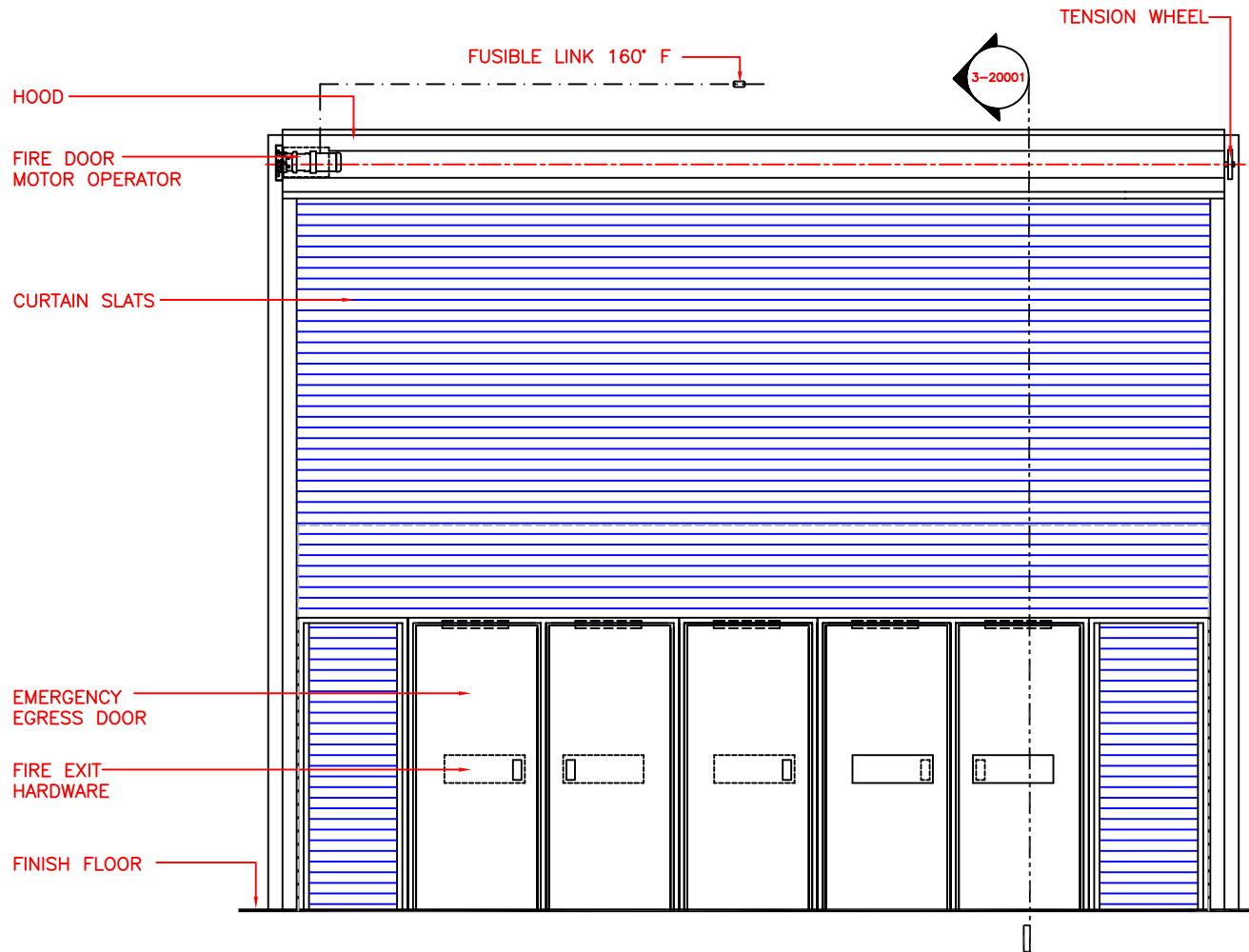


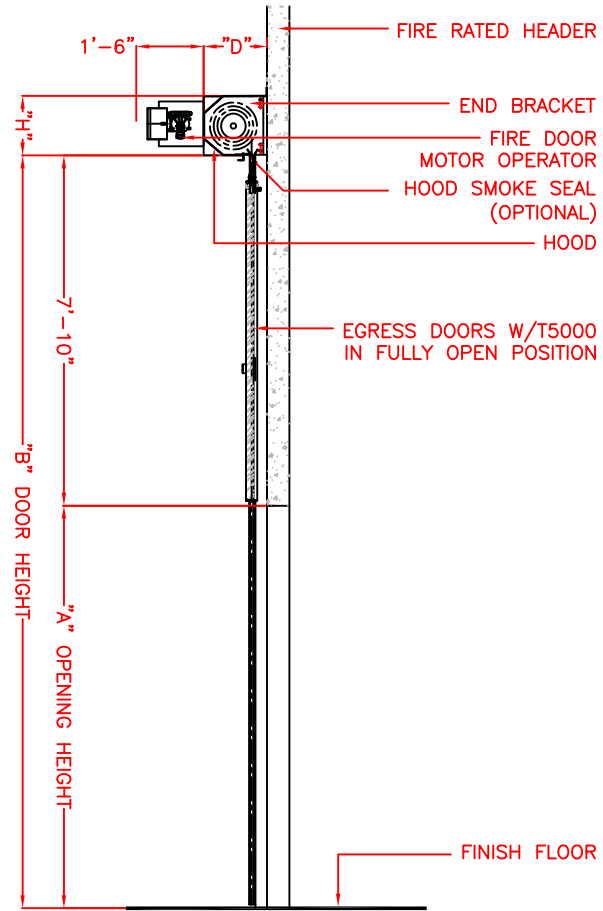


SAFESCAPE FIRE DOOR SYSTEM MODEL T5000

3-10531



NOTE: AVAILABLE WITH UP TO 18 EGRESS DOORS

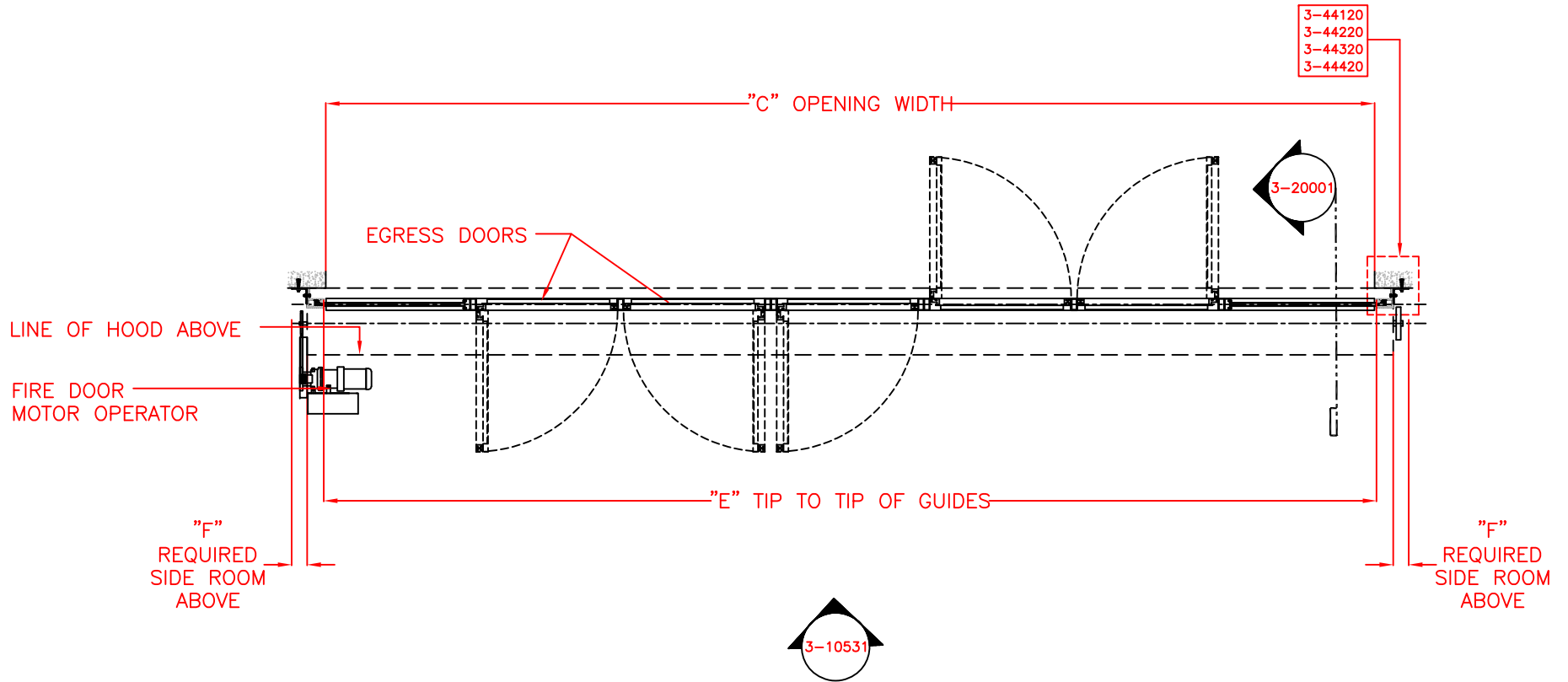


SECTION



SAFESCAPE FIRE DOOR SYSTEM MODEL T5000

3-30531



NOTE: EGRESS DOORS MAY SWING IN OPPOSITE AND ALTERNATE DIRECTIONS

NOTE: AVAILABLE WITH UP TO 18 EGRESS DOORS

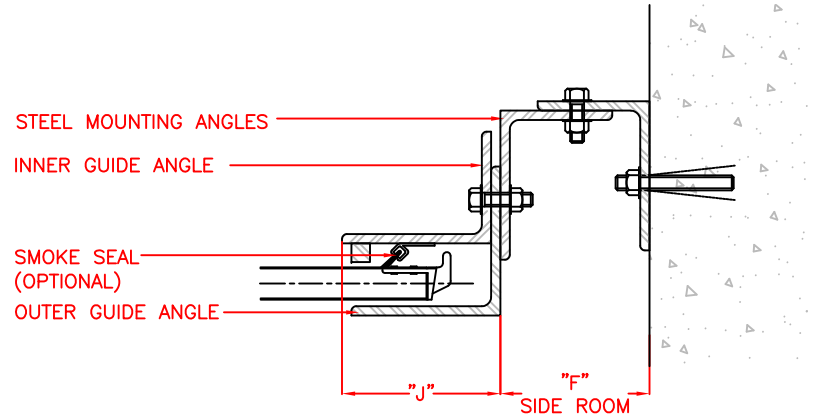
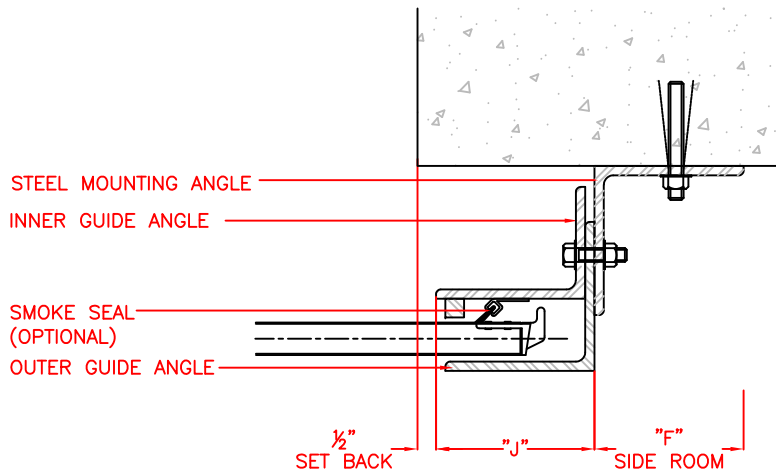
DOOR WIDTH	F
C < 30' - 10"	5"
C > 30' - 10"	6"



SAFESCAPE FIRE DOOR SYSTEM MODELS T5000

2-44120

3-44320



DOOR OPENING WIDTH	"J"	"F"
UP TO 30'-0"	4 1/4"	5"
30'-0" TO 45'-0"	5 5/8"	6"
45'-0" TO 59'-0"	6 3/4"	6"

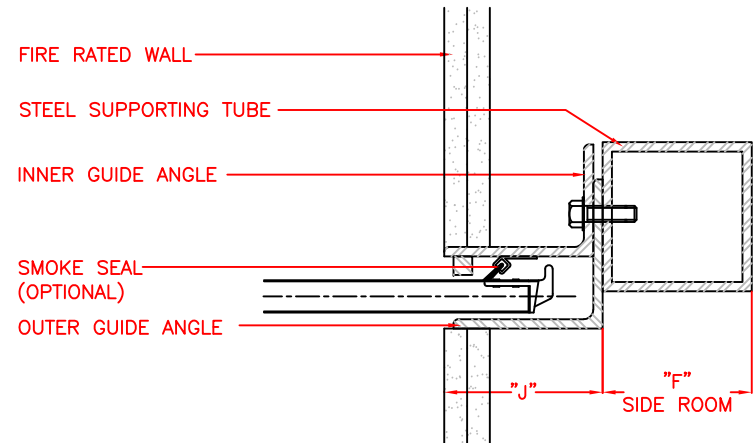
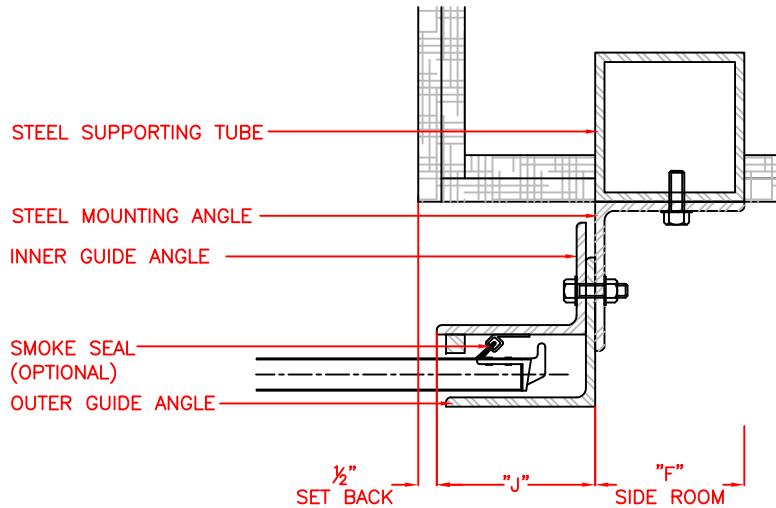
DOOR OPENING WIDTH	"J"	"F"
UP TO 30'-0"	4 1/4"	5"
30'-0" TO 45'-0"	5 5/8"	6"
45'-0" TO 59'-0"	6 3/4"	6"



SAFESCAPE FIRE DOOR SYSTEM MODELS T5000

2-44420

3-44220

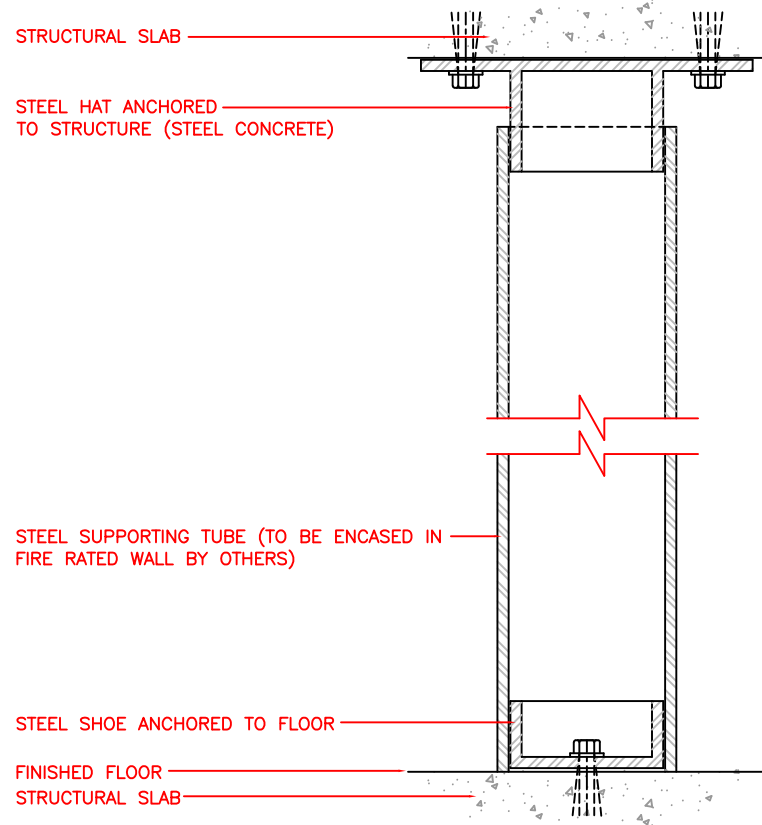


NOTE:
SUPPORT TUBES ARE
REQUIRED TO BE
ENCASED IN FIRE
RATED CONSTRUCTION

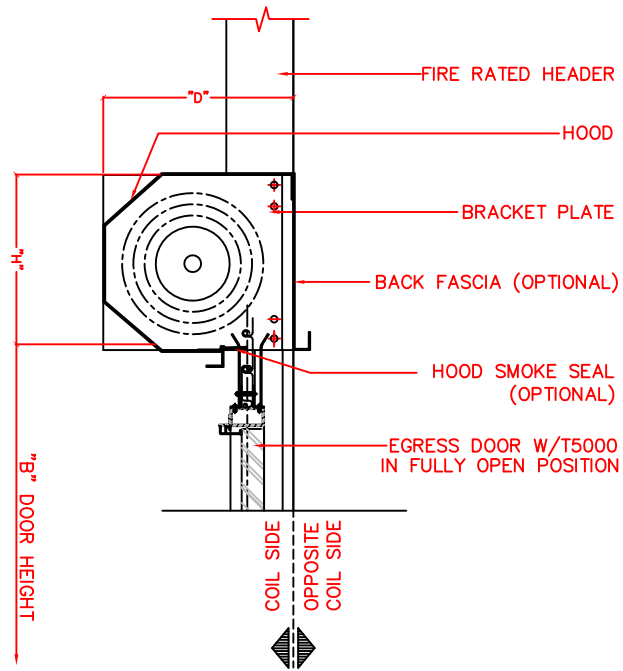
DOOR OPENING WIDTH	"J"	"F"
UP TO 30'-0"	4 ³ / ₄ "	5"
30'-0" TO 45'-0"	5 ⁵ / ₁₆ "	6"
45'-0" TO 59'-0"	6 ³ / ₄ "	6"

NOTE:
SUPPORT TUBES ARE
REQUIRED TO BE
ENCASED IN FIRE
RATED CONSTRUCTION

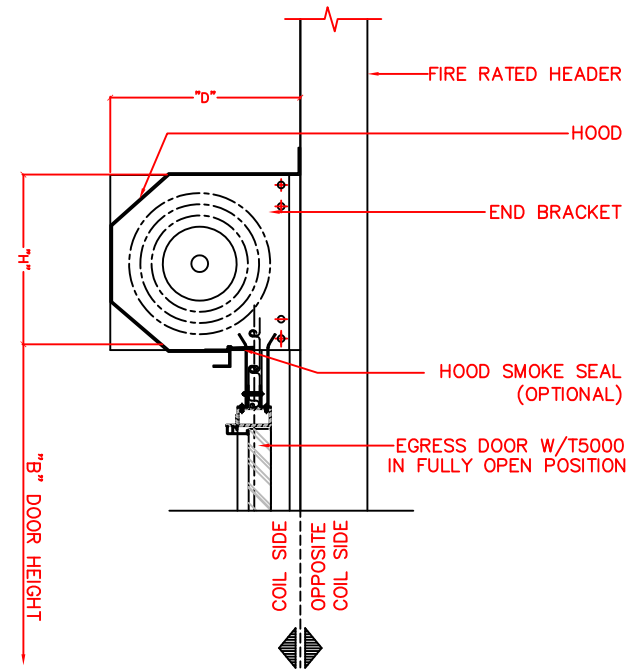
DOOR OPENING WIDTH	"J"	"F"
UP TO 30'-0"	4 ³ / ₄ "	5"
30'-0" TO 45'-0"	5 ⁵ / ₁₆ "	6"
45'-0" TO 59'-0"	6 ³ / ₄ "	6"



SUPPORTING TUBE DETAIL

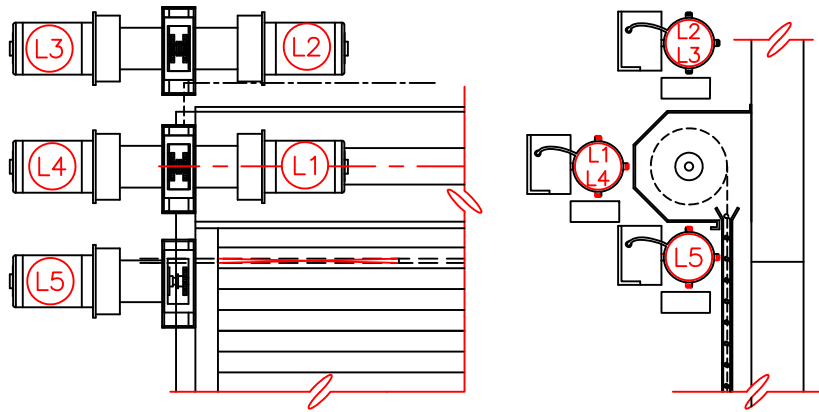


BETWEEN JAMB

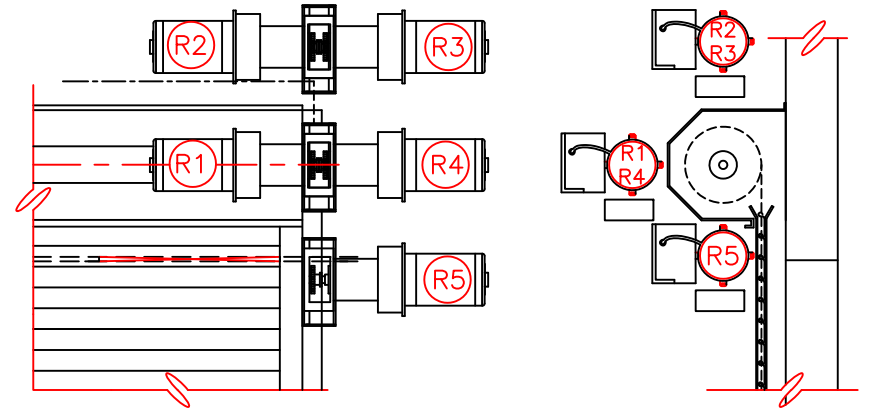


FACE MOUNTED

HOOD MEASURED "H" X "D"
SEE HOOD SELECTION CHART



OPTIONAL MOTOR LOCATIONS
LEFT HAND



OPTIONAL MOTOR LOCATIONS
RIGHT HAND



SAFESCAPE FIRE DOOR SYSTEM MODEL T5000

3-50000

