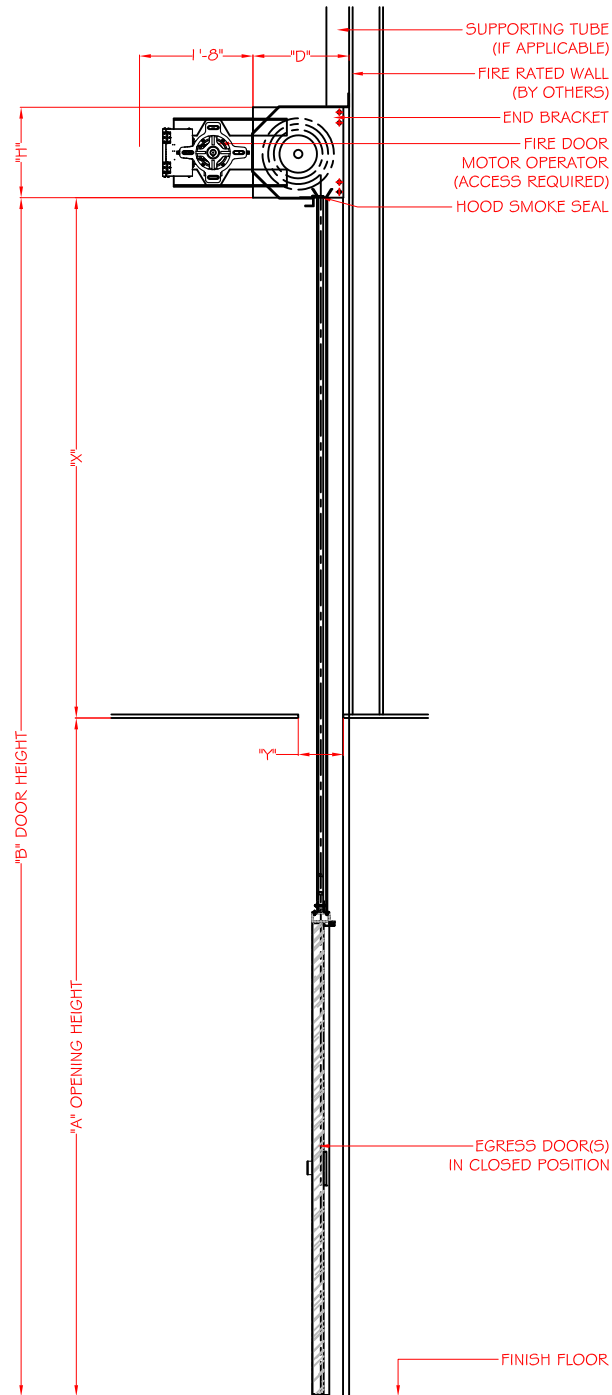


ELEVATION

NOTE:
- AVAILABLE WITH UP TO 18 EGRESS DOORS.

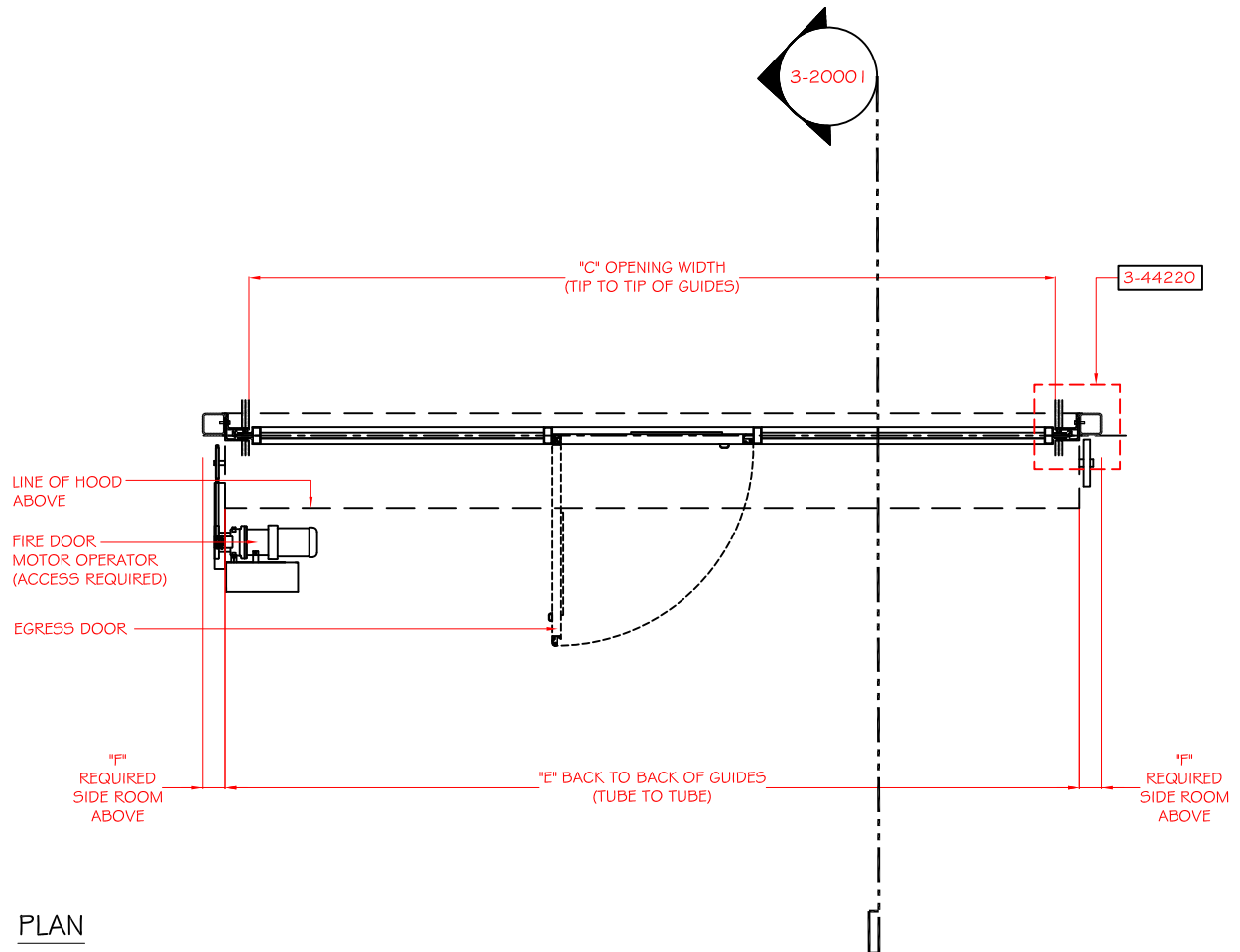


SECTION

"X" UPSET = 7'-8" MIN.
 "Y" OPENING = 8" MIN.

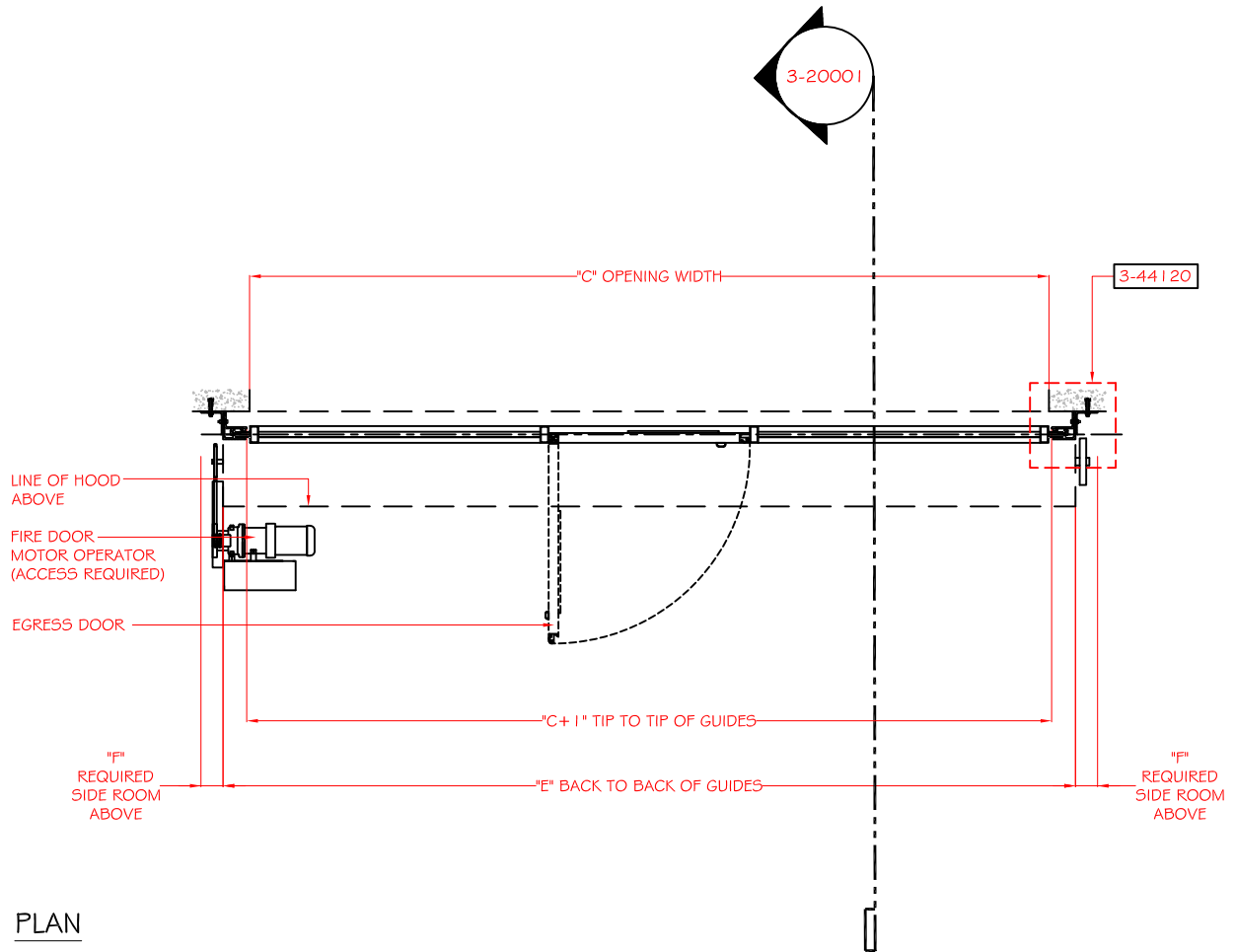
NOTE:

- "X" DIMENSION NOTED ABOVE IS APPLICABLE FOR DOORS UP TO 14' OF OPENING HEIGHT AND 7'-0" HIGH SWINGING EGRESS DOORS. FOR LARGER DOORS PLEASE CONSULT FACTORY FOR "X" DIMENSION.
- EGRESS DOORS ARE AVAILABLE WITH UP TO 8'-0" IN HEIGHT.



DOOR WIDTH	"F"
C < 30'-10"	5"
C > 30'-10"	6"

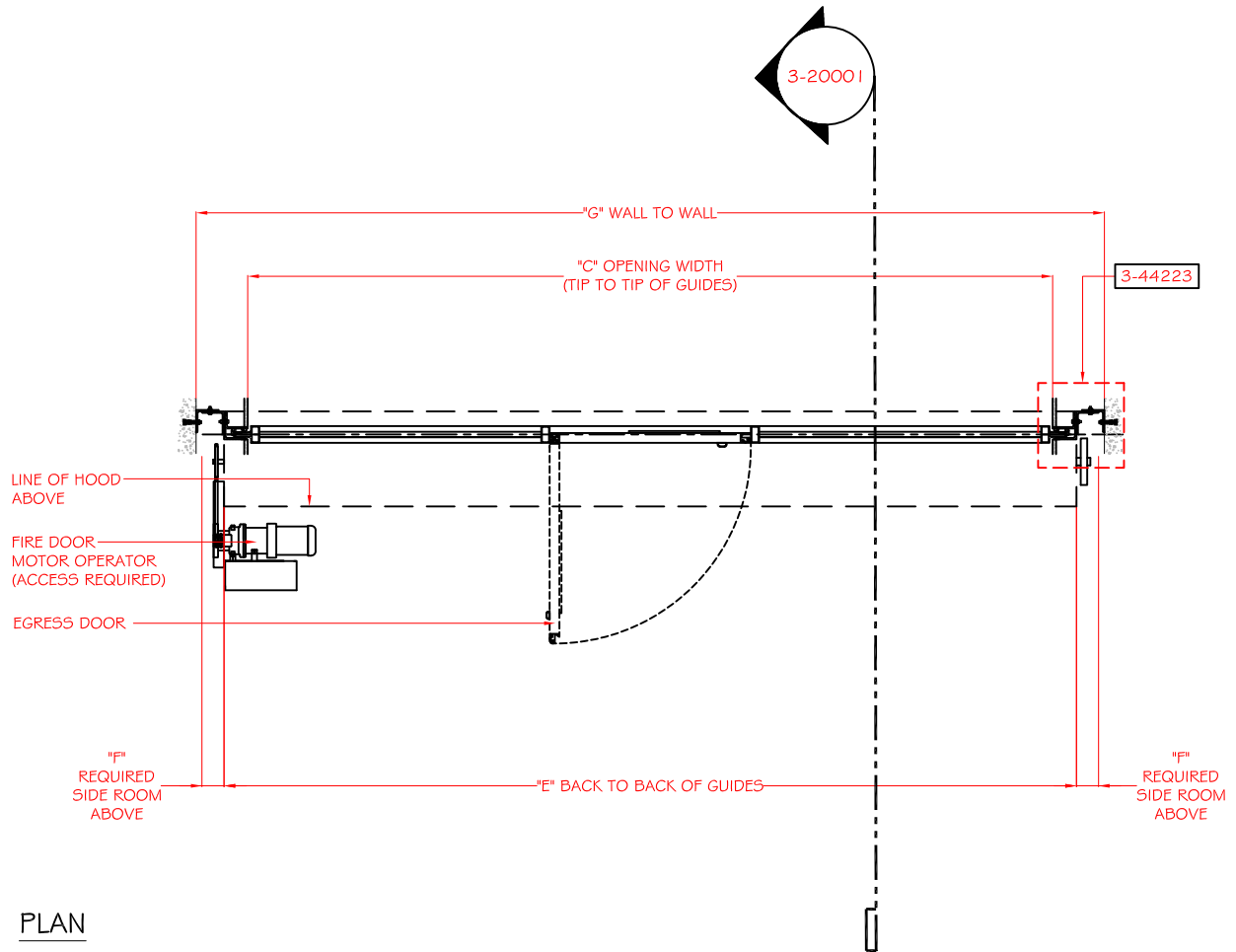
NOTE:
 - EGRESS DOORS MAY SWING IN OPPOSITE AND ALTERNATE DIRECTIONS.
 - AVAILABLE WITH UP TO 18 EGRESS DOORS.



PLAN

DOOR WIDTH	"F"
C < 30'-10"	5"
C > 30'-10"	6"

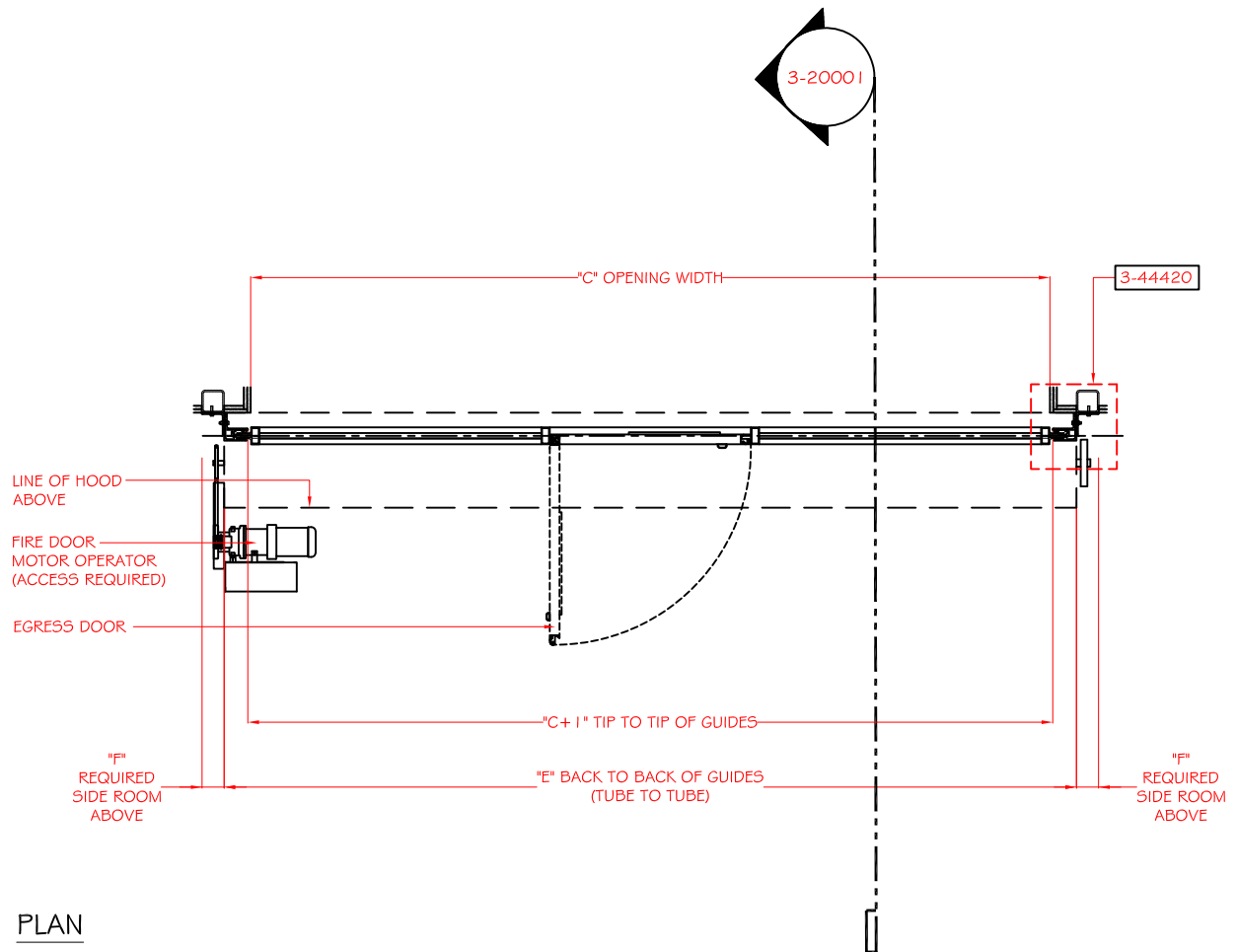
NOTE:
 - EGRESS DOORS MAY SWING IN OPPOSITE AND ALTERNATE DIRECTIONS.
 - AVAILABLE WITH UP TO 18 EGRESS DOORS.



PLAN

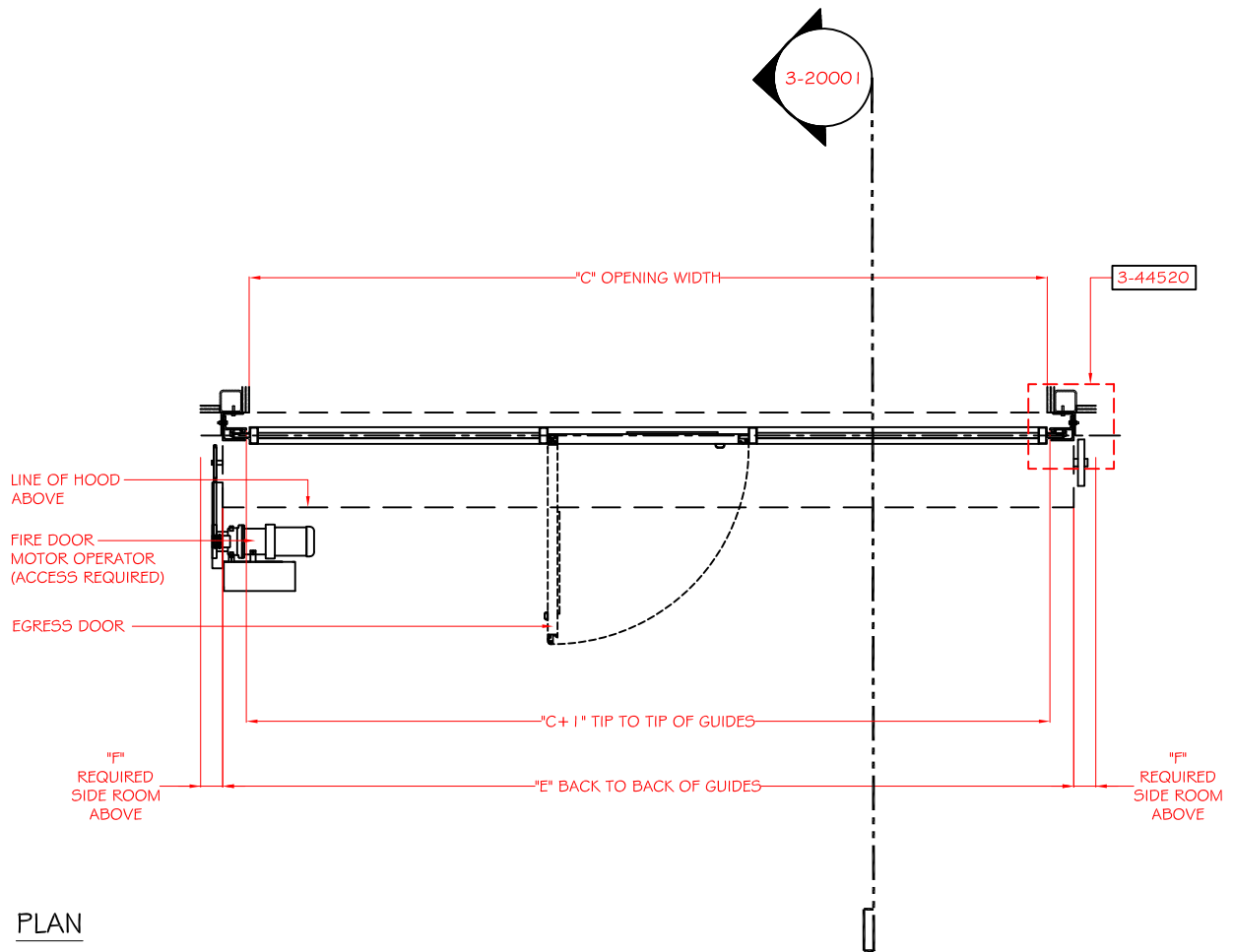
DOOR WIDTH	"F"
C < 30'-10"	5"
C > 30'-10"	6"

NOTE:
 - EGRESS DOORS MAY SWING IN OPPOSITE AND ALTERNATE DIRECTIONS.
 - AVAILABLE WITH UP TO 18 EGRESS DOORS.



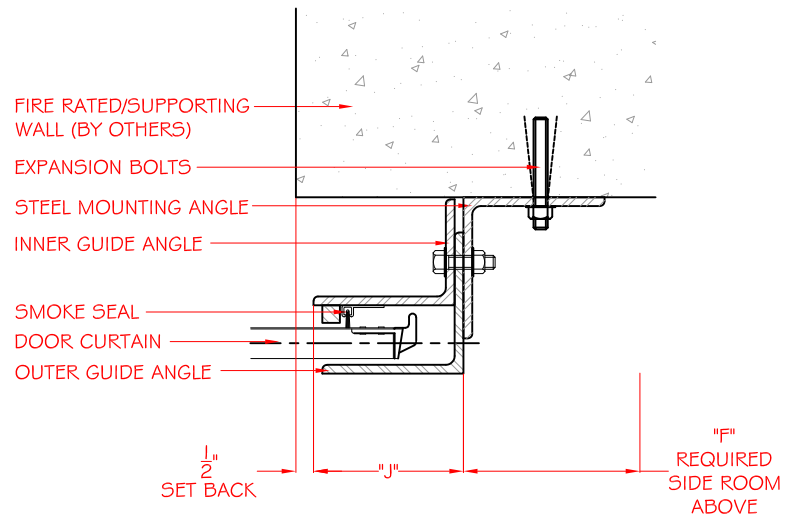
DOOR WIDTH	"F"
C<30'-10"	5"
C>30'-10"	6"

NOTE:
 - EGRESS DOORS MAY SWING IN OPPOSITE AND ALTERNATE DIRECTIONS.
 - AVAILABLE WITH UP TO 18 EGRESS DOORS.



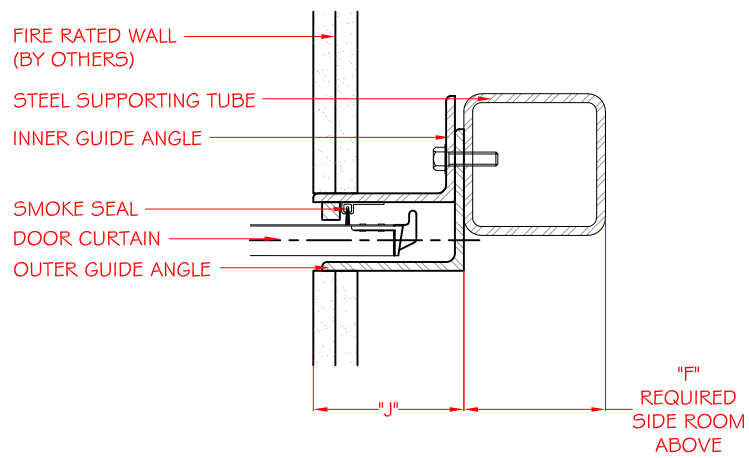
DOOR WIDTH	"F"
C < 30'-10"	5"
C > 30'-10"	6"

NOTE:
 - EGRESS DOORS MAY SWING IN OPPOSITE AND ALTERNATE DIRECTIONS.
 - AVAILABLE WITH UP TO 18 EGRESS DOORS.



GUIDE DETAIL

DOOR OPENING WIDTH	"J"	"F"
UP TO 30'-0"	4 1/4"	5"
30'-0" TO 45'-0"	5 3/8"	6"
45'-0" TO 59'-0"	6 5/8"	6"

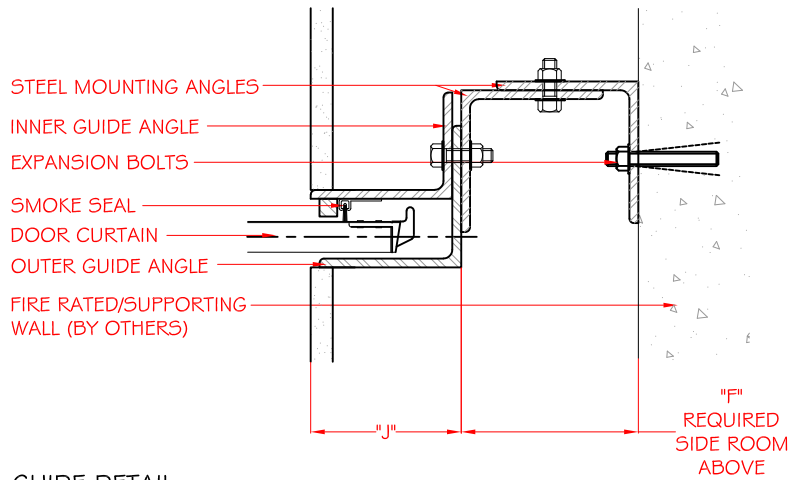


GUIDE DETAIL

DOOR OPENING WIDTH	"J"	"F"
UP TO 30'-0"	4 1/4"	5"
30'-0" TO 45'-0"	5 5/8"	6"
45'-0" TO 59'-0"	6 5/8"	6"

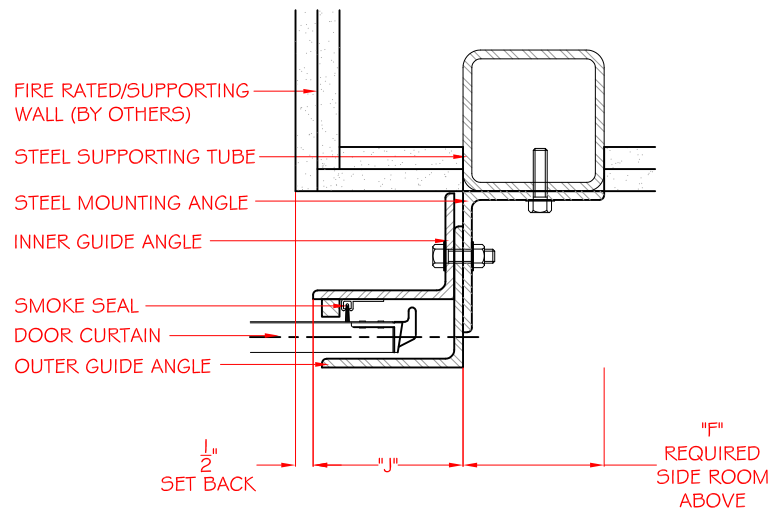
NOTE:

- SUPPORT TUBES ARE REQUIRED TO BE ENCASED IN FIRE RATED ENCLOSURE OR AT LEAST ONE SIDE OF THE TUBE SHOULD BE INSTALLED AGAINST THE FIRE RATED WALL.



GUIDE DETAIL

DOOR OPENING WIDTH	"J"	"F"
UP TO 30'-0"	4½"	5"
30'-0" TO 45'-0"	5⅝"	6"
45'-0" TO 59'-0"	6¾"	6"

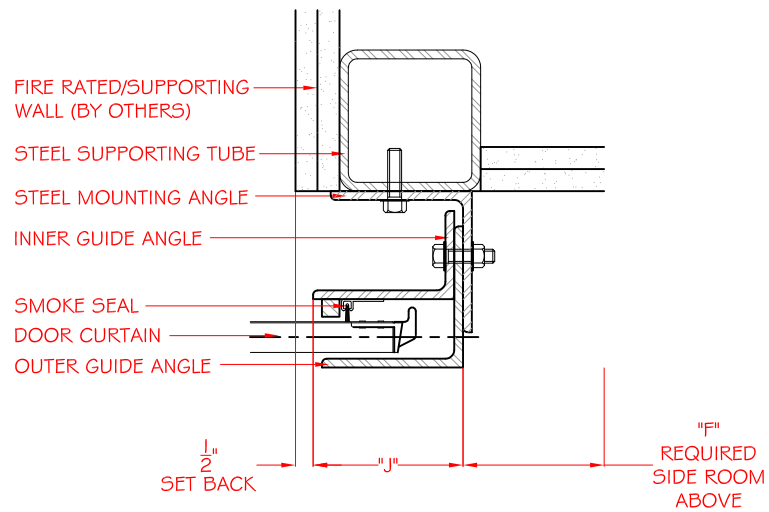


GUIDE DETAIL

DOOR OPENING WIDTH	"J"	"F"
UP TO 30'-0"	4 1/4"	5"
30'-0" TO 45'-0"	5 7/8"	6"
45'-0" TO 59'-0"	6 5/8"	6"

NOTE:

- SUPPORT TUBES ARE REQUIRED TO BE ENCASED IN FIRE RATED ENCLOSURE OR AT LEAST ONE SIDE OF THE TUBE SHOULD BE INSTALLED AGAINST THE FIRE RATED WALL.

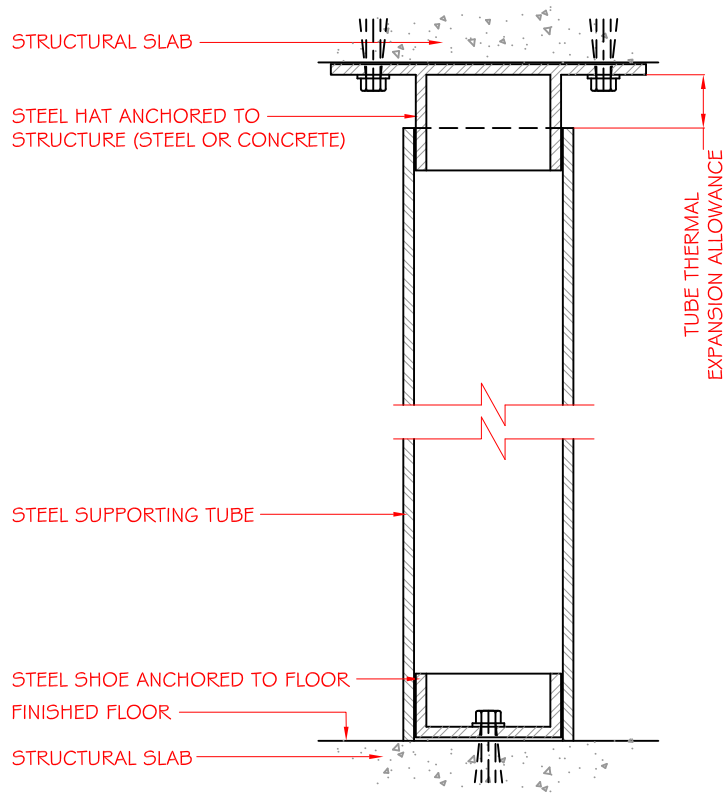


GUIDE DETAIL

DOOR OPENING WIDTH	"J"	"F"
UP TO 30'-0"	4 1/4"	5"
30'-0" TO 45'-0"	5 7/8"	6"
45'-0" TO 59'-0"	6 5/8"	6"

NOTE:

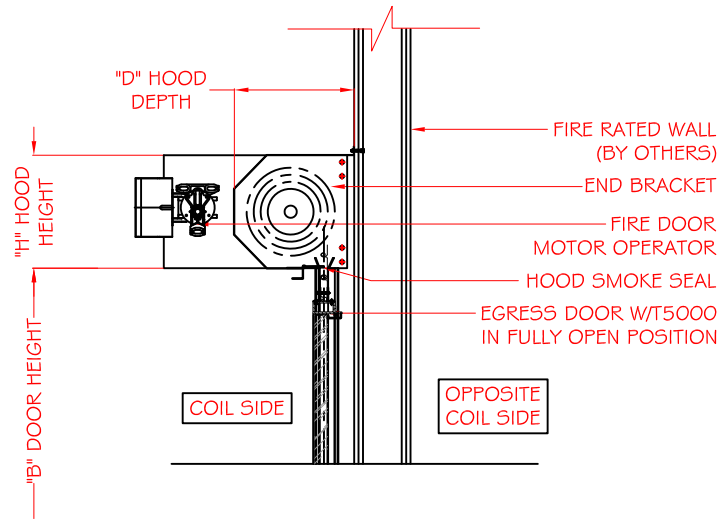
- SUPPORT TUBES ARE REQUIRED TO BE ENCASED IN FIRE RATED ENCLOSURE OR AT LEAST ONE SIDE OF THE TUBE SHOULD BE INSTALLED AGAINST THE FIRE RATED WALL.



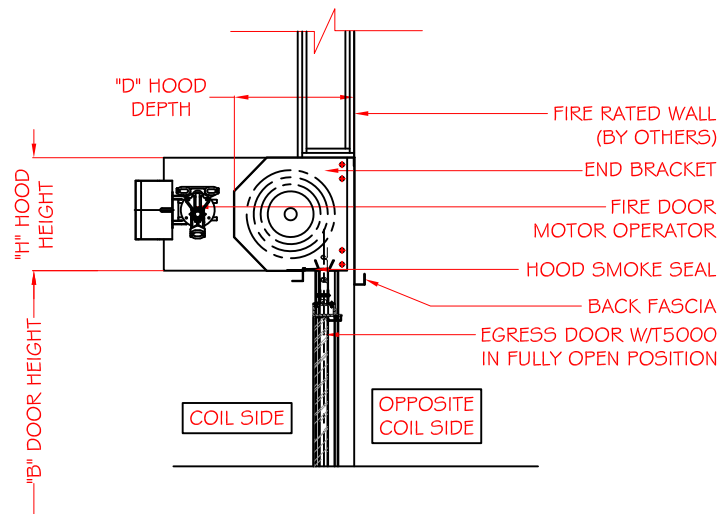
SUPPORTING TUBE DETAIL

NOTE:

- SUPPORT TUBES ARE REQUIRED TO BE ENCASED IN FIRE RATED ENCLOSURE OR AT LEAST ONE SIDE OF THE TUBE SHOULD BE INSTALLED AGAINST THE FIRE RATED WALL.



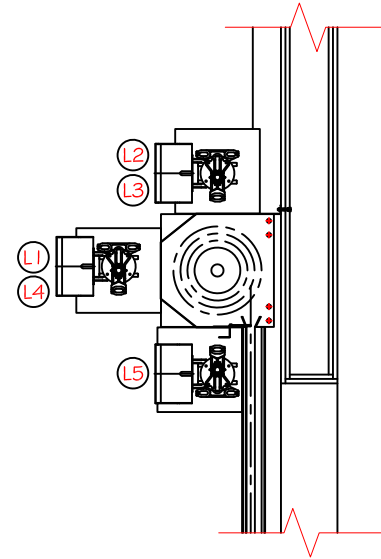
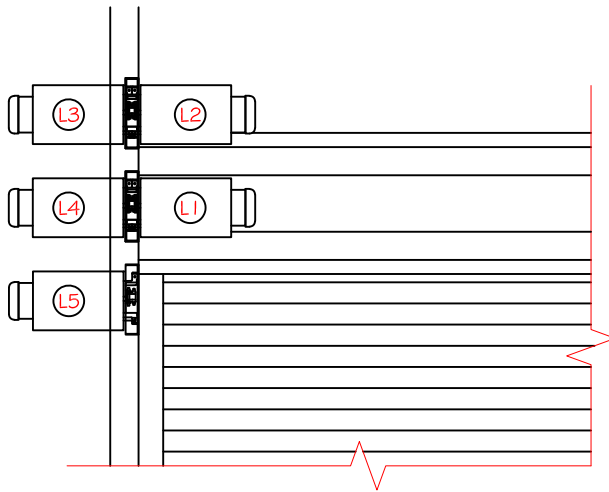
HEAD DETAIL - FACE MOUNTED



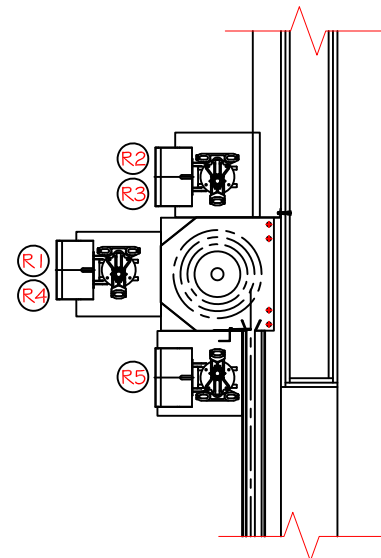
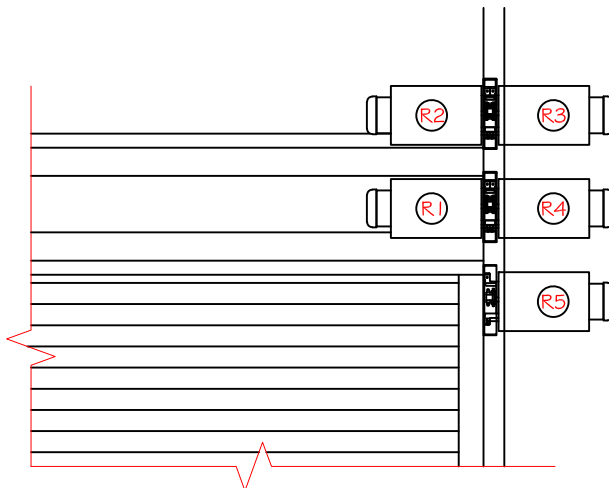
HEAD DETAIL - BETWEEN JAMB MOUNTED

NOTE:

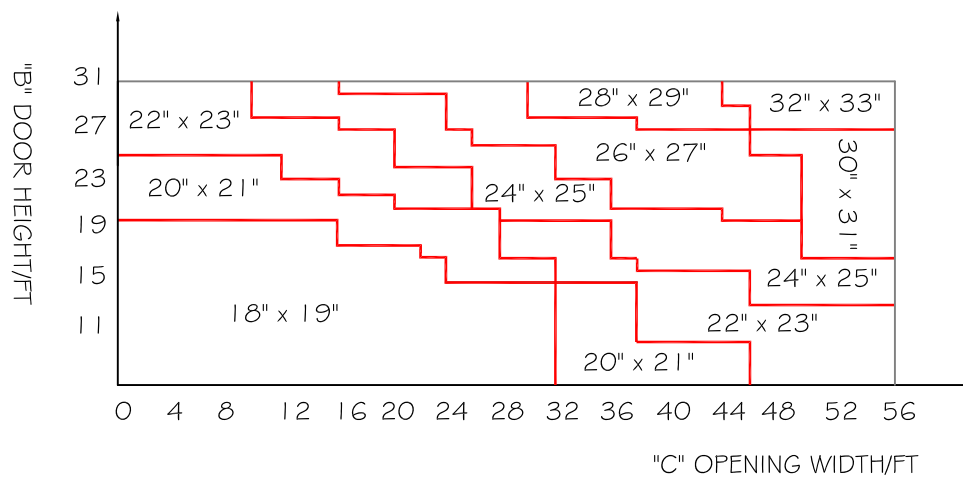
- HOOD MEASURED IN "H" X "D", SEE HOOD SELECTION CHART.



OPTIONAL MOTOR LOCATIONS
(LEFT HAND)



OPTIONAL MOTOR LOCATIONS
(RIGHT HAND)



HOOD SELECTION CHART

NOTE:

- "B" DOOR HEIGHT INCLUDES 7'-8" UPSET FOR 7'-0" HIGH SWINGING EGRESS DOOR.