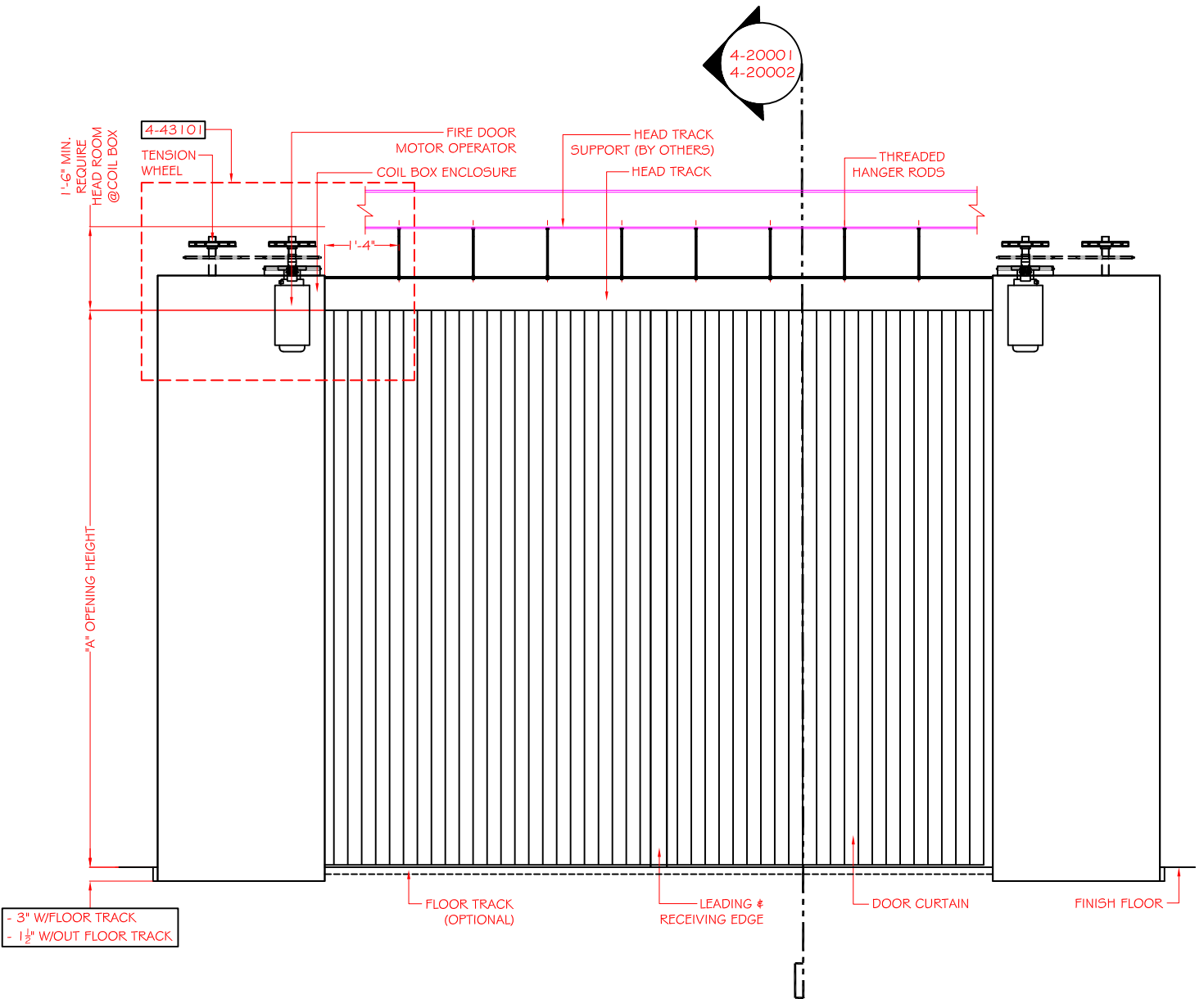


ELEVATION

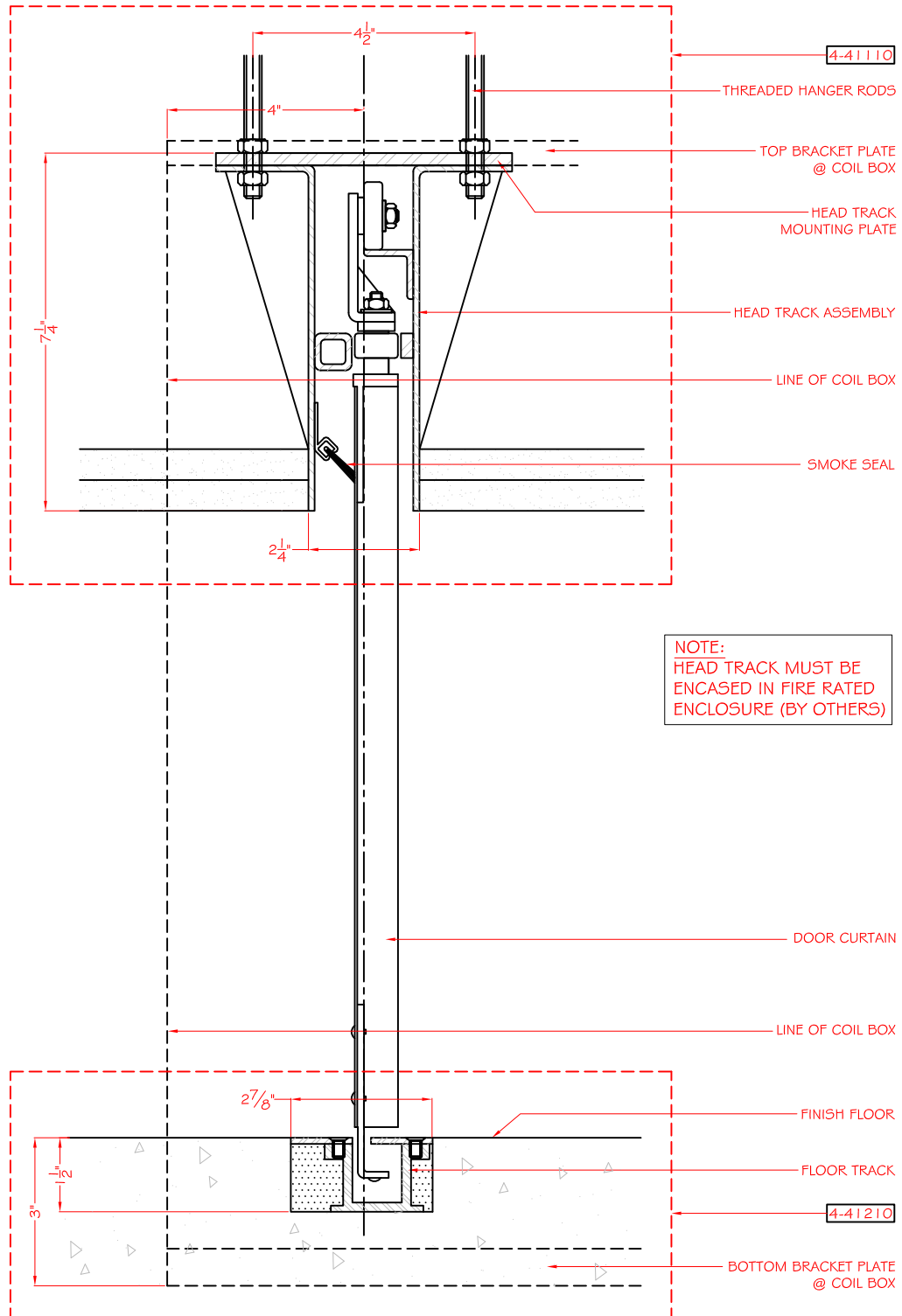
NOTE:
 - DEPENDING ON THE DOOR ASSEMBLY'S WIDTH, HEIGHT, CONFIGURATION AND LATERAL FORCES, FIELD APPLIED LATERAL BRACING MAY BE NECESSARY FOR DOOR ASSEMBLIES REQUIRING THREADED HANGER RODS GREATER THAN 12" IN LENGTH.



ELEVATION

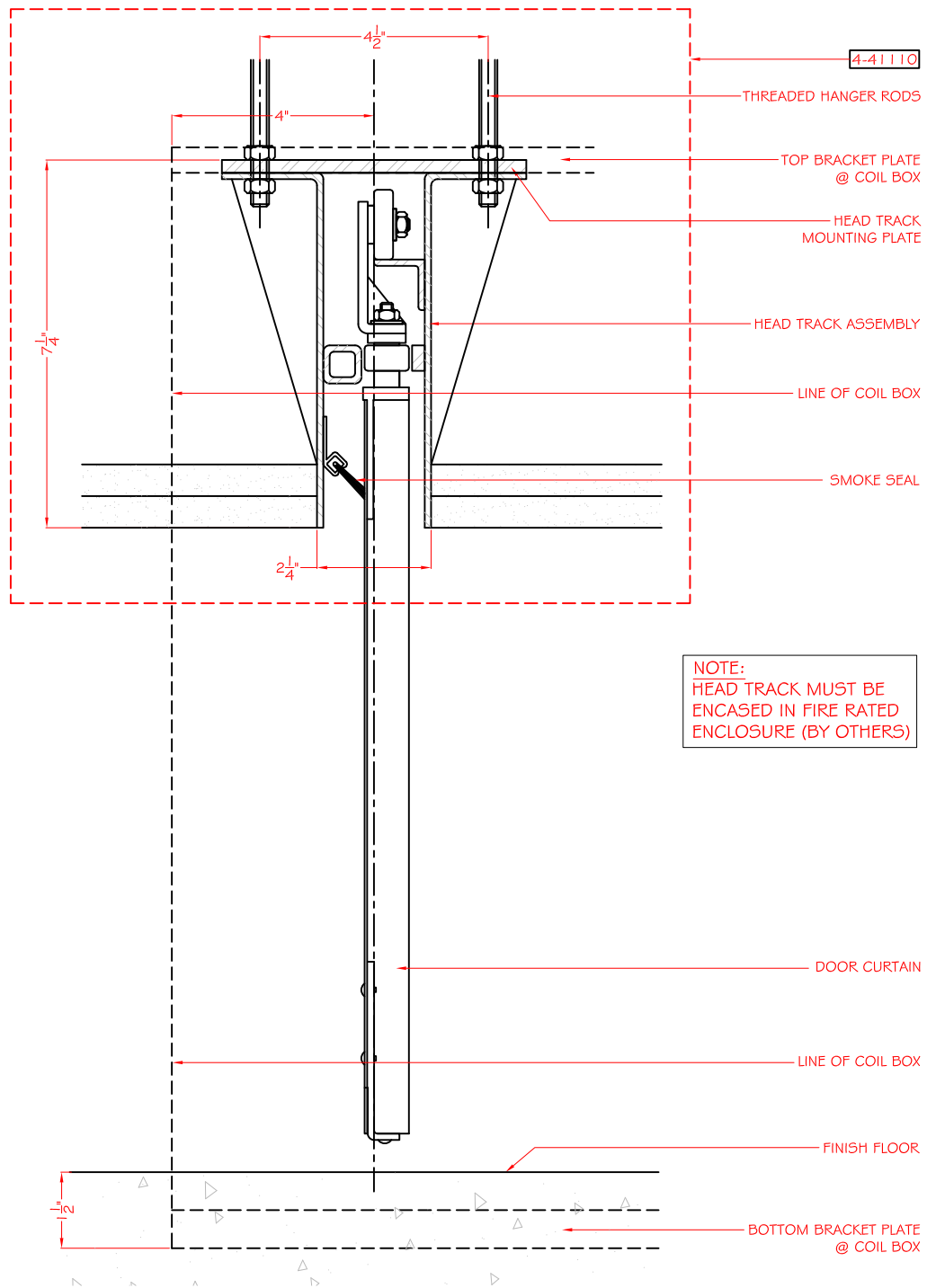
NOTE:

- DEPENDING ON THE DOOR ASSEMBLY'S WIDTH, HEIGHT, CONFIGURATION AND LATERAL FORCES, FIELD APPLIED LATERAL BRACING MAY BE NECESSARY FOR DOOR ASSEMBLIES REQUIRING THREADED HANGER RODS GREATER THAN 12" IN LENGTH.



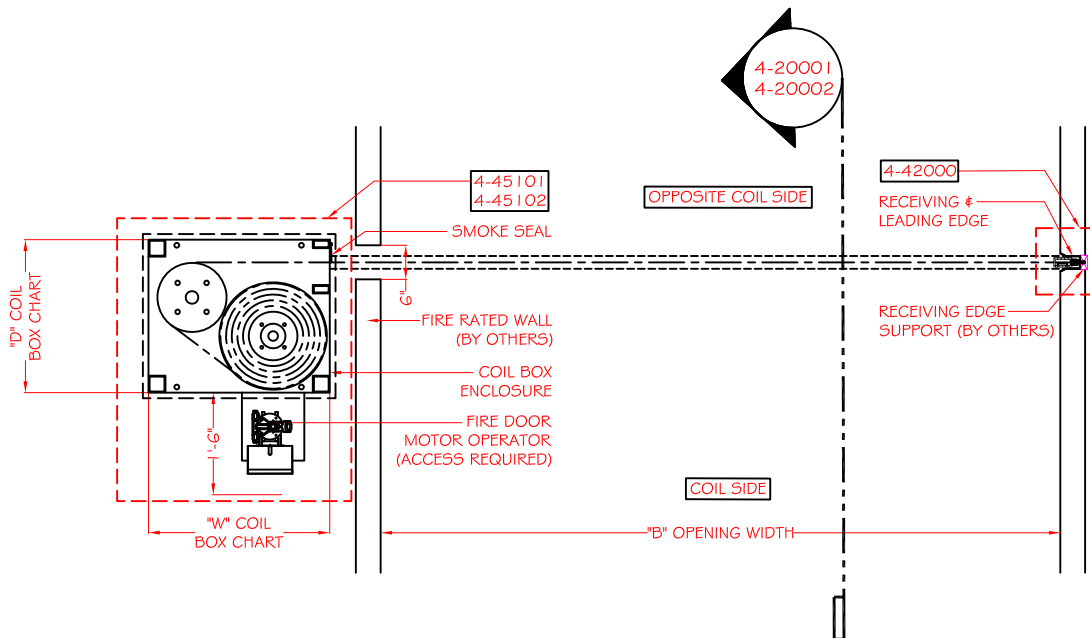
SECTION @ CURTAIN
(WITH FLOOR TRACK)

NOTE:
- DEPENDING ON THE DOOR ASSEMBLY'S WIDTH, HEIGHT, CONFIGURATION AND LATERAL FORCES, FIELD APPLIED LATERAL BRACING MAY BE NECESSARY FOR DOOR ASSEMBLIES REQUIRING THREADED HANGER RODS GREATER THAN 12" IN LENGTH.

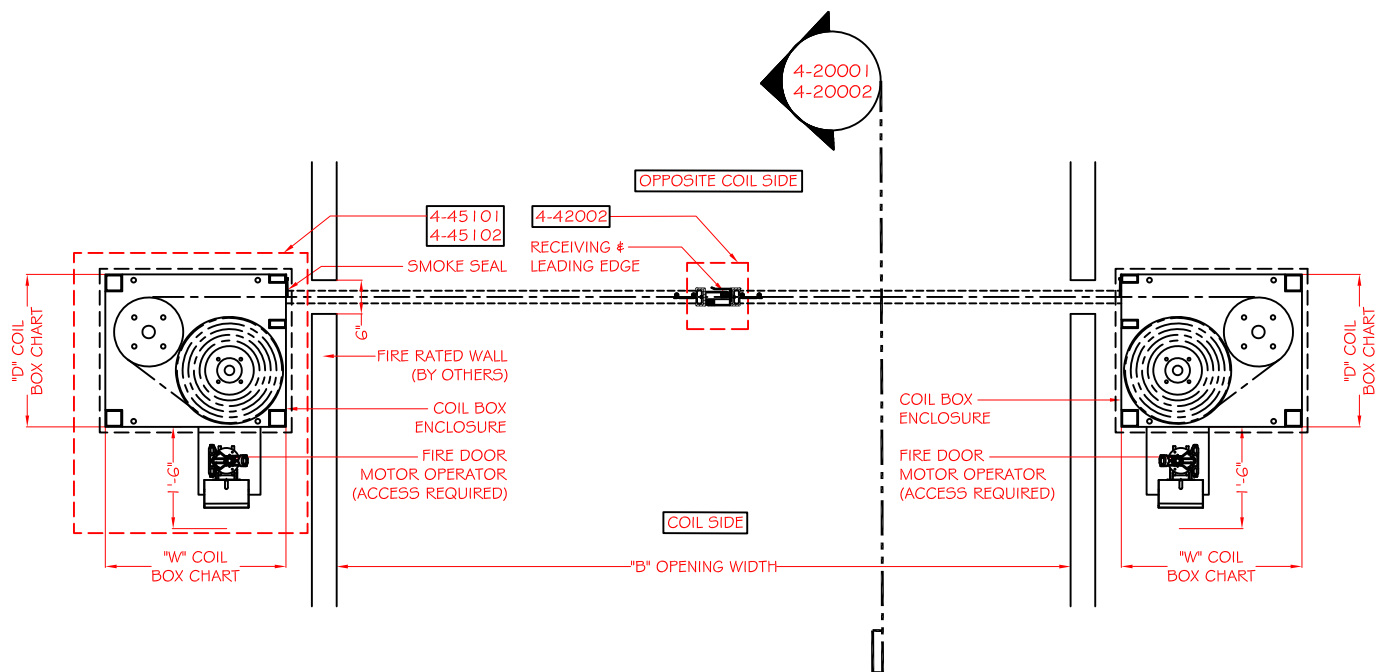


SECTION @ CURTAIN
(WITHOUT FLOOR TRACK)

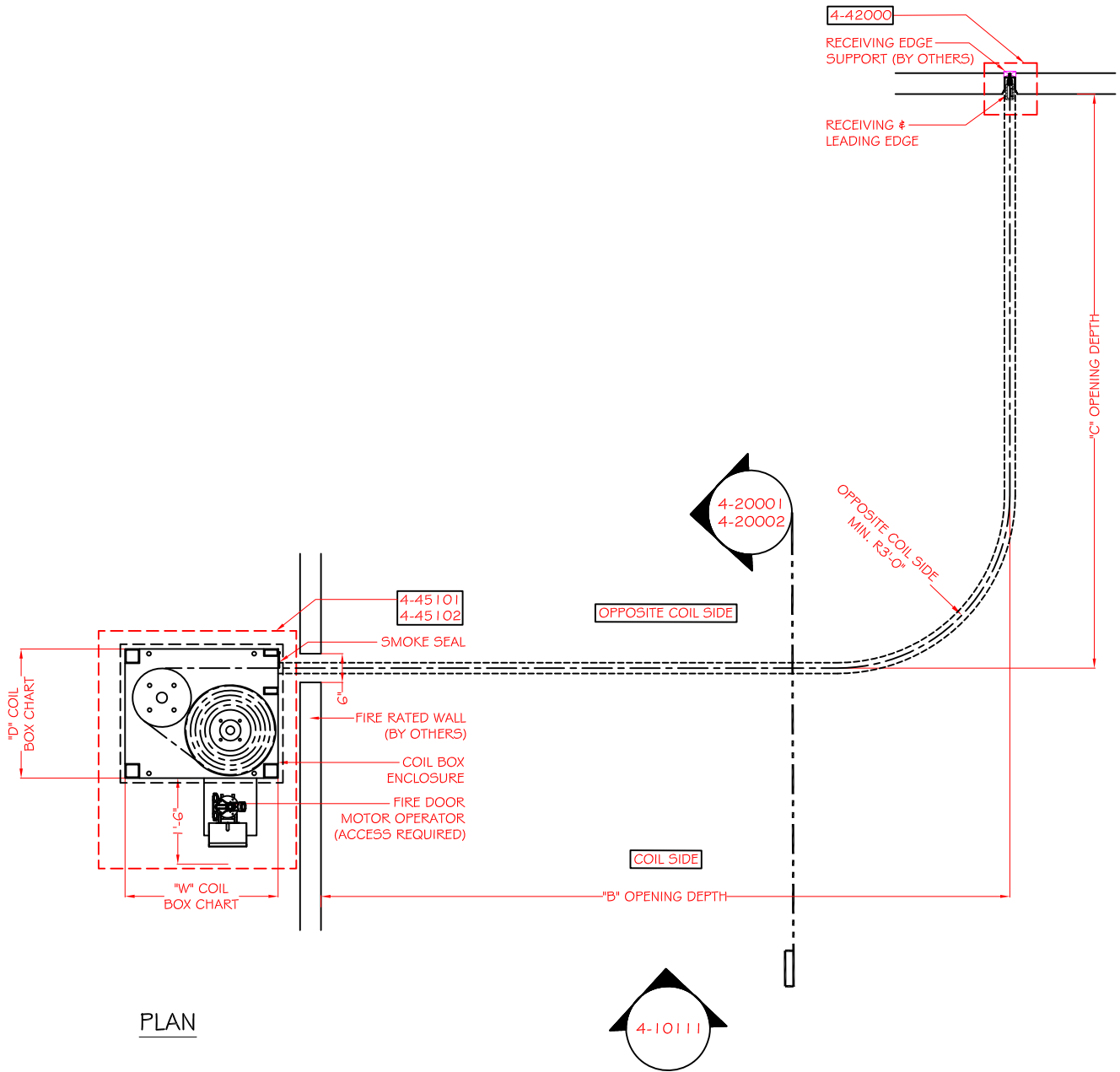
NOTE:
- DEPENDING ON THE DOOR ASSEMBLY'S WIDTH, HEIGHT, CONFIGURATION AND LATERAL FORCES, FIELD APPLIED LATERAL BRACING MAY BE NECESSARY FOR DOOR ASSEMBLIES REQUIRING THREADED HANGER RODS GREATER THAN 12" IN LENGTH.

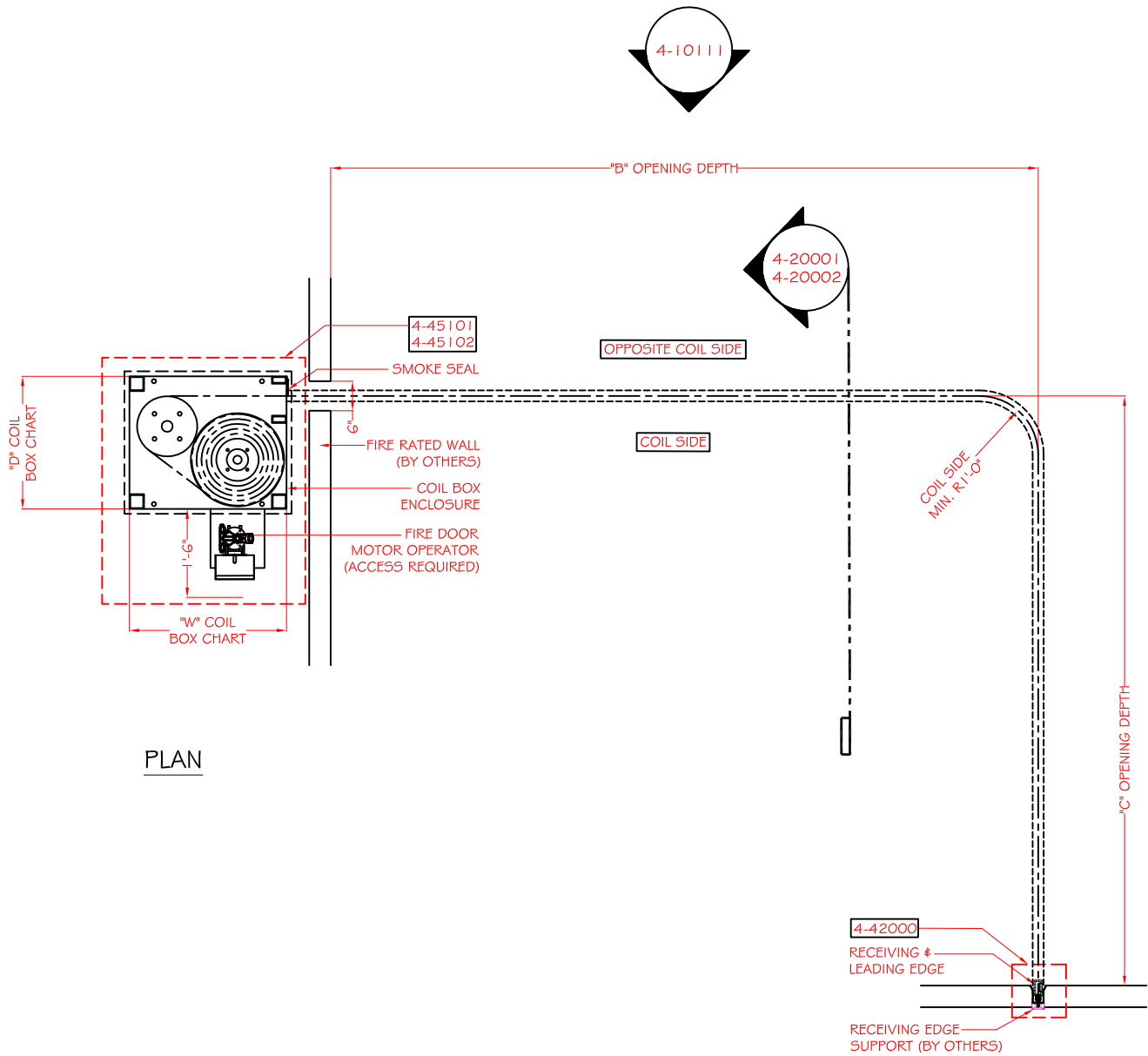


PLAN

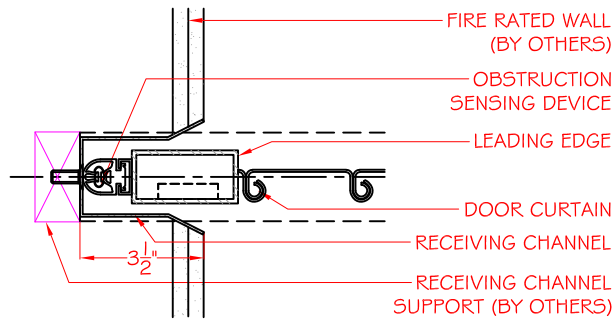


PLAN

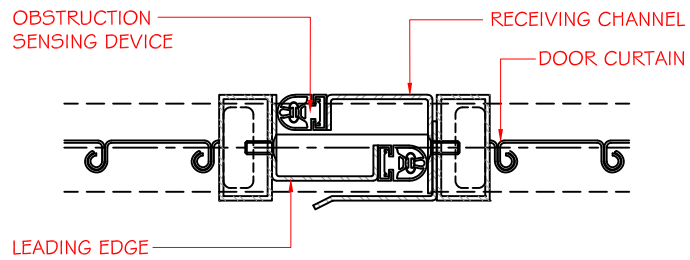




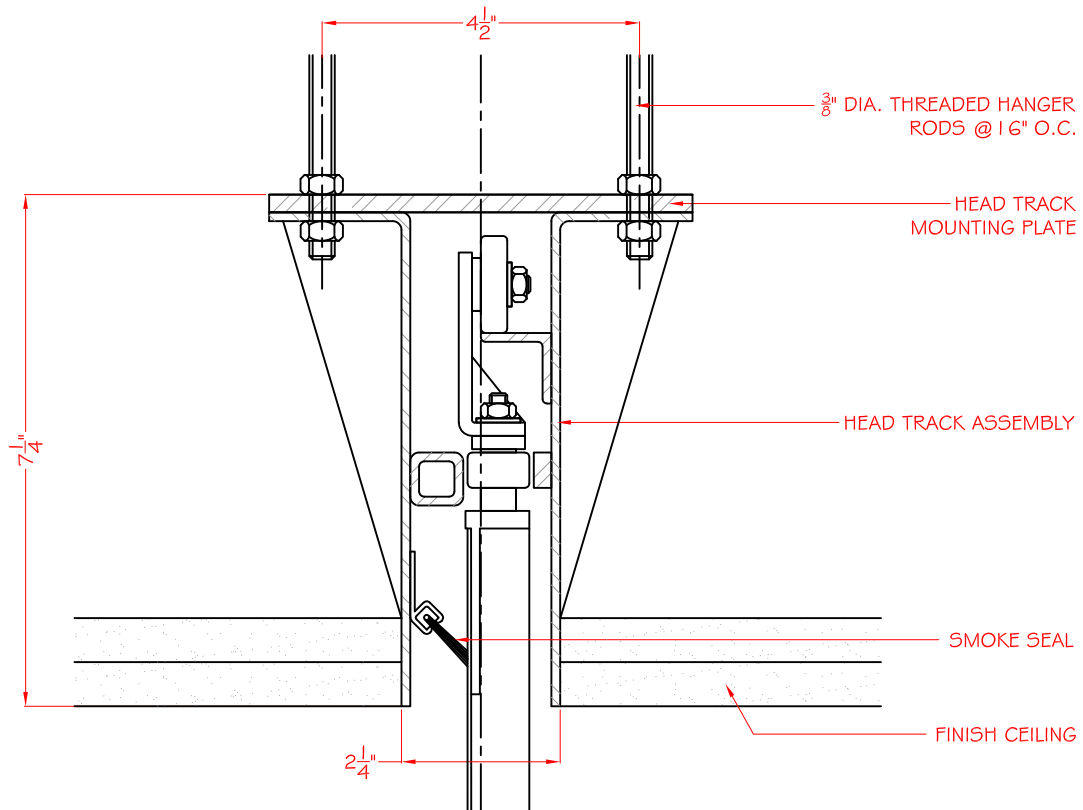
PLAN



LEADING AND RECEIVING EDGE DETAIL
(SINGLE-PARTING)



LEADING AND RECEIVING EDGE DETAIL
(BI-PARTING)

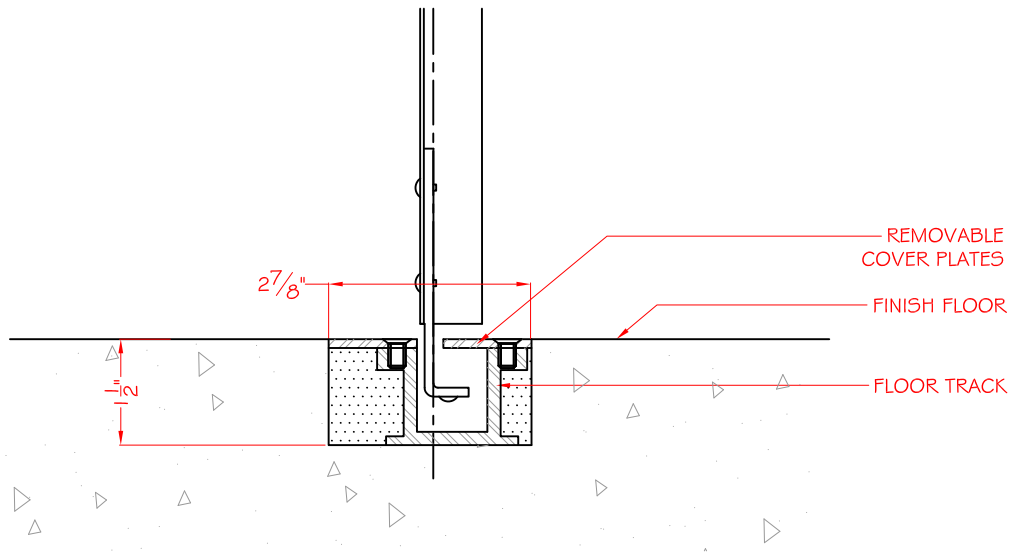


NOTE:
HEAD TRACK MUST BE
ENCASED IN FIRE RATED
ENCLOSURE (BY OTHERS)

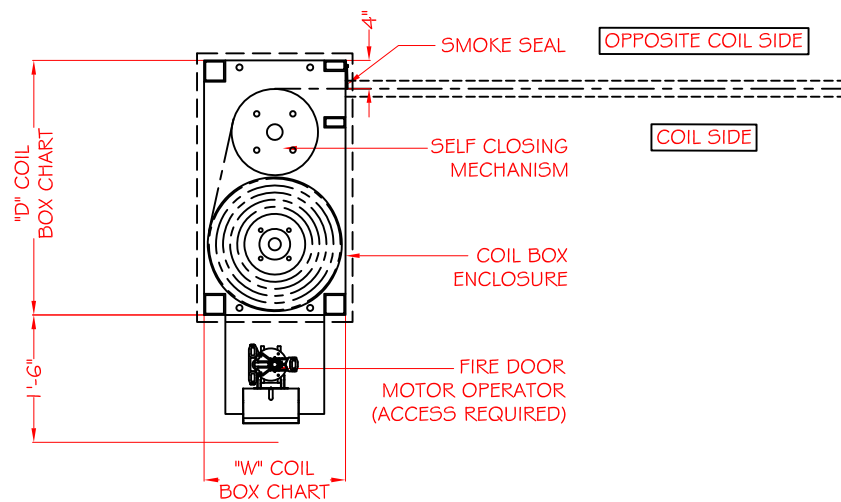
HEAD TRACK DETAIL

NOTE:

- DEPENDING ON THE DOOR ASSEMBLY'S WIDTH, HEIGHT, CONFIGURATION AND LATERAL FORCES, FIELD APPLIED LATERAL BRACING MAY BE NECESSARY FOR DOOR ASSEMBLIES REQUIRING THREADED HANGER RODS GREATER THAN 12" IN LENGTH.

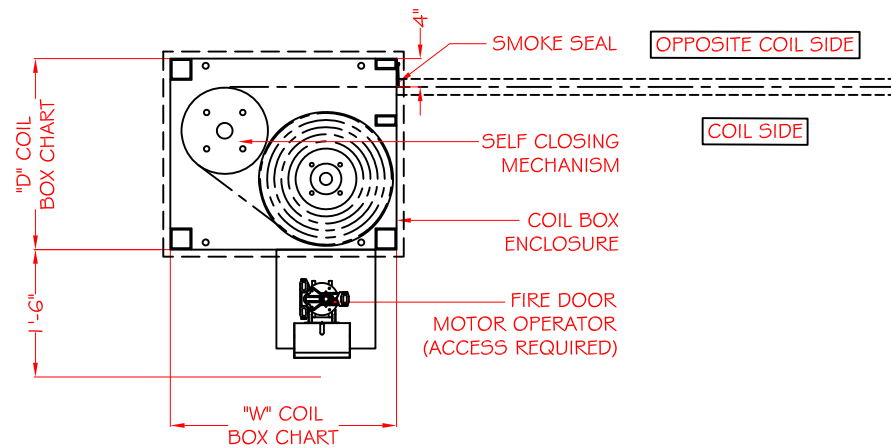


FLOOR TRACK DETAIL (OPTIONAL)



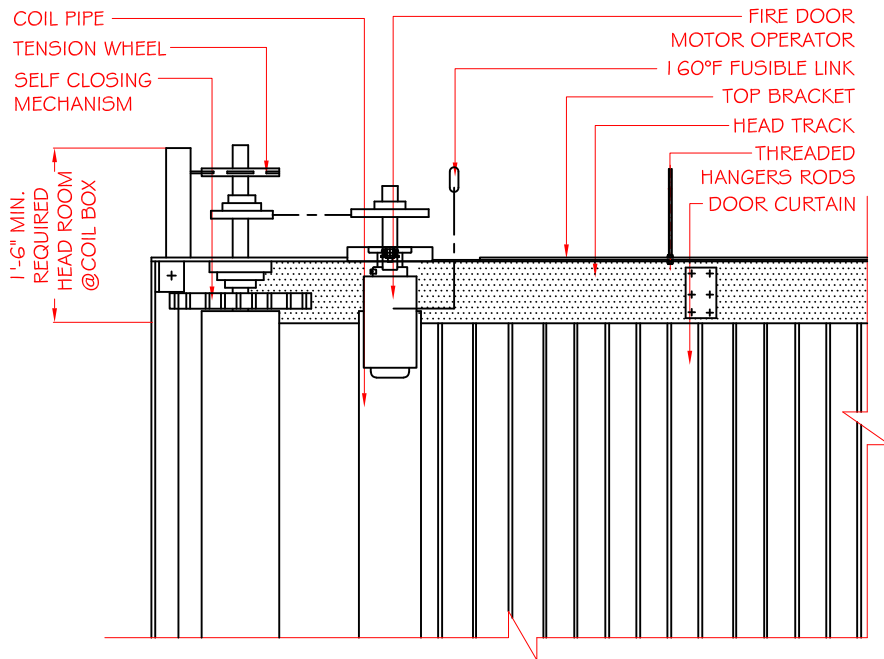
COIL BOX TYPE "A"

NOTE:
- FOR ADDITIONAL MOTOR LOCATION OPTIONS REFER TO COIL BOX SELECTION CHART.



COIL BOX TYPE "B"

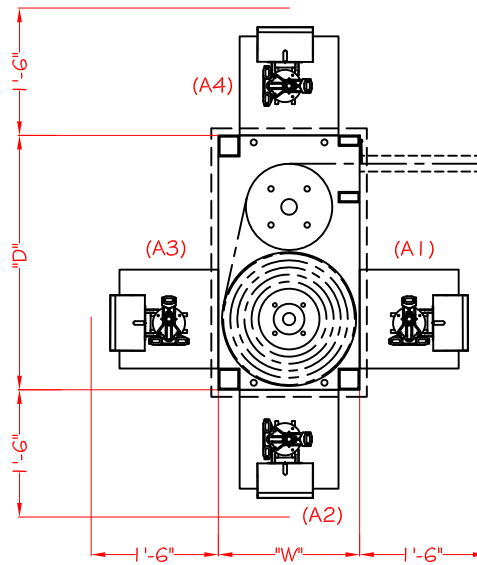
NOTE:
- FOR ADDITIONAL MOTOR LOCATION OPTIONS REFER TO COIL BOX SELECTION CHART.



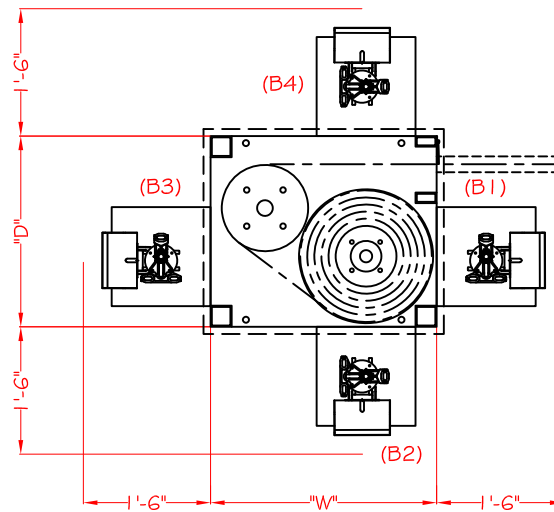
COIL BOX HEAD DETAIL

NOTE:

- FUSIBLE LINK IS NOT REQUIRED IF UNIT IS CONNECTED TO HEAT OR SMOKE DETECTOR.
- FOR REDUCED HEADROOM REQUIREMENTS CONSULT FACTORY.



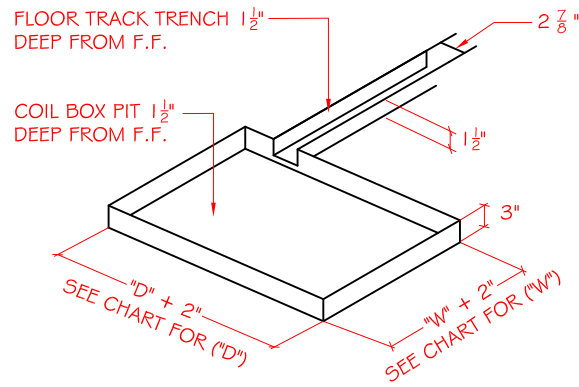
COIL BOX TYPE "A"



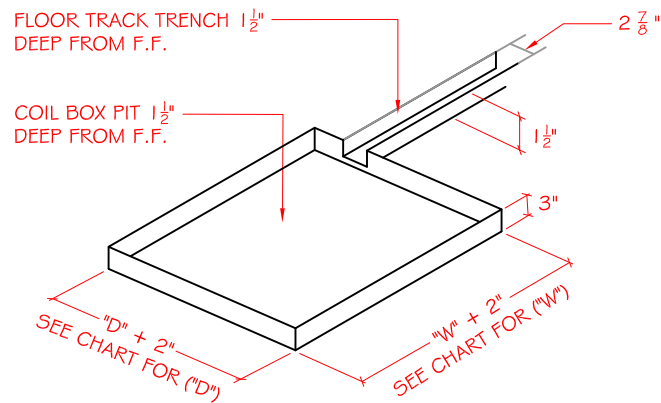
COIL BOX TYPE "B"

DOOR LENGTH		TYPE (A)		TYPE (B)	
FROM	TO	W	D	W	D
---	12'-0"	18"	34"	30"	27"
12'-1"	26'-0"	25"	48"	46"	35"
26'-1"	42'-0"	30"	58"	56"	40"

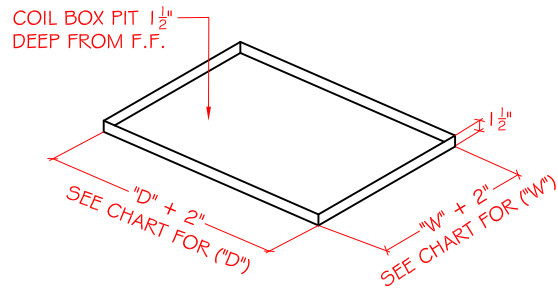
NOTE:
- FOR DOORS WIDER THAN 42'-0" CONSULT FACTORY FOR SIZES.



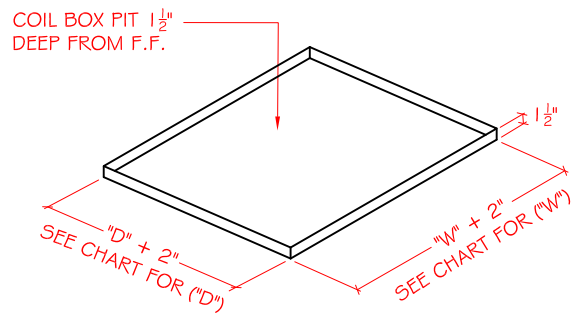
COIL BOX PIT TYPE "A"
(WITH FLOOR TRACK)



COIL BOX PIT TYPE "B"
(WITH FLOOR TRACK)



COIL BOX PIT TYPE "A"
(WITHOUT FLOOR TRACK)



COIL BOX PIT TYPE "B"
(WITHOUT FLOOR TRACK)