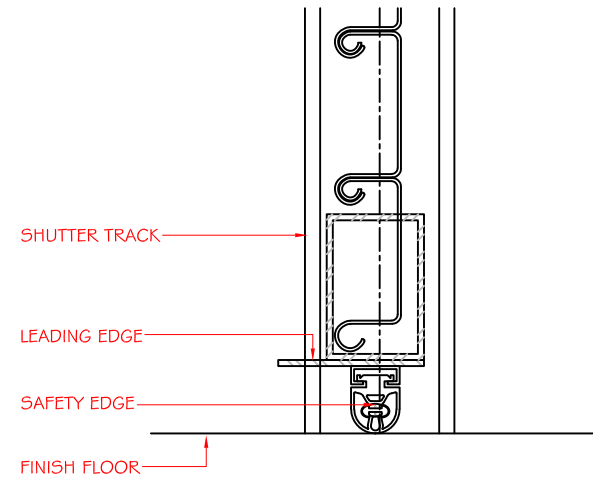
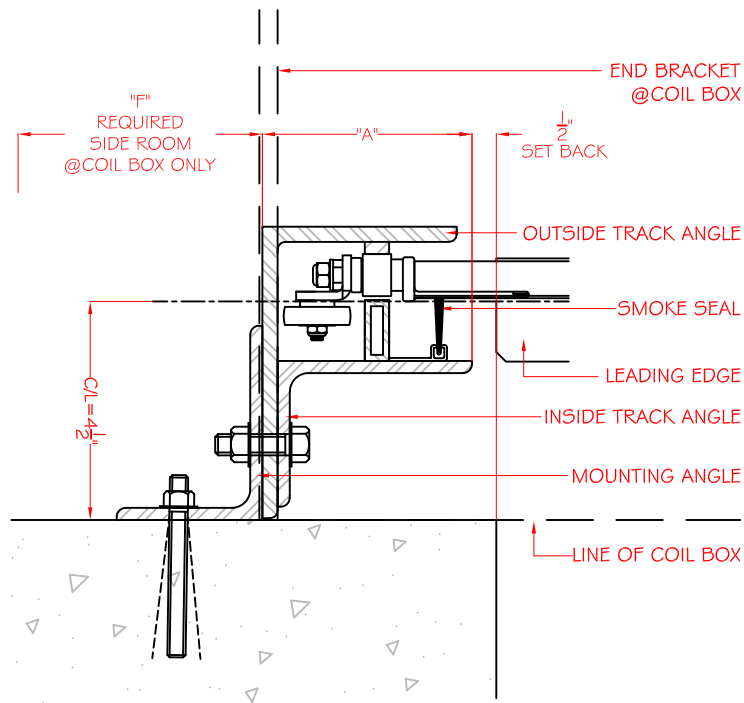


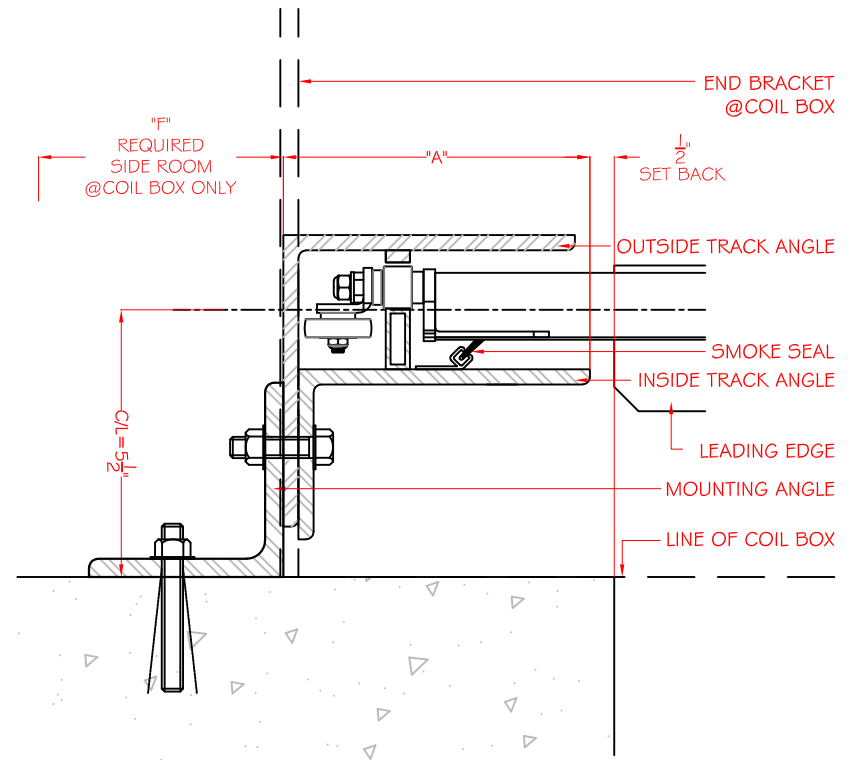
LEADING EDGE DETAIL
UP TO 19'-6" IN WIDTH



LEADING EDGE DETAIL
GREATER THAN 19'-6" IN WIDTH

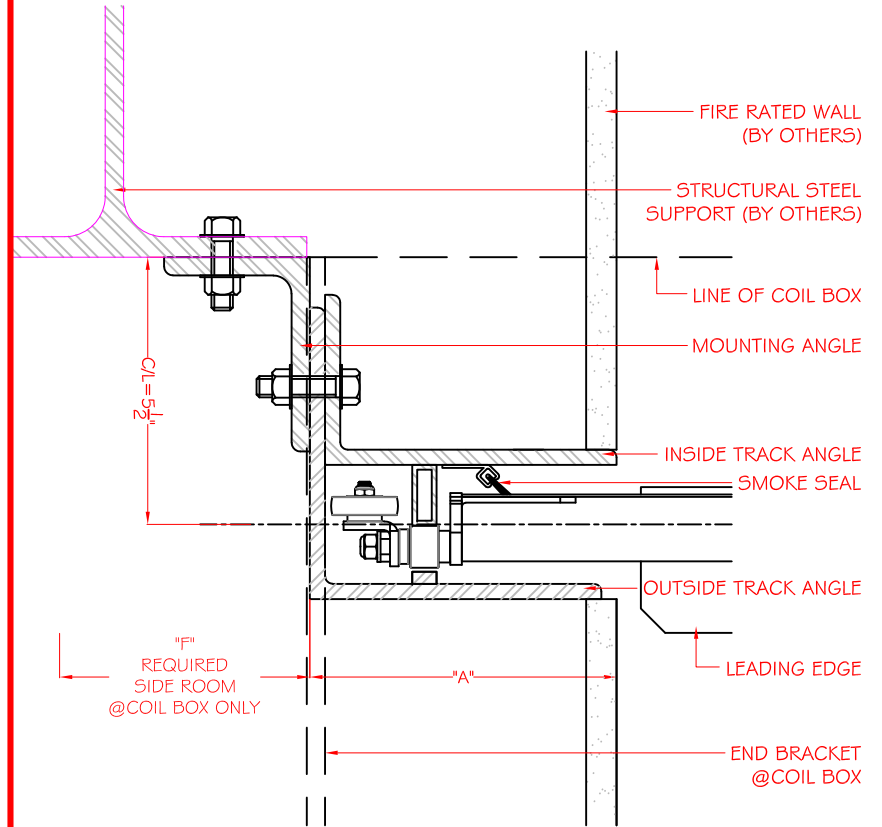
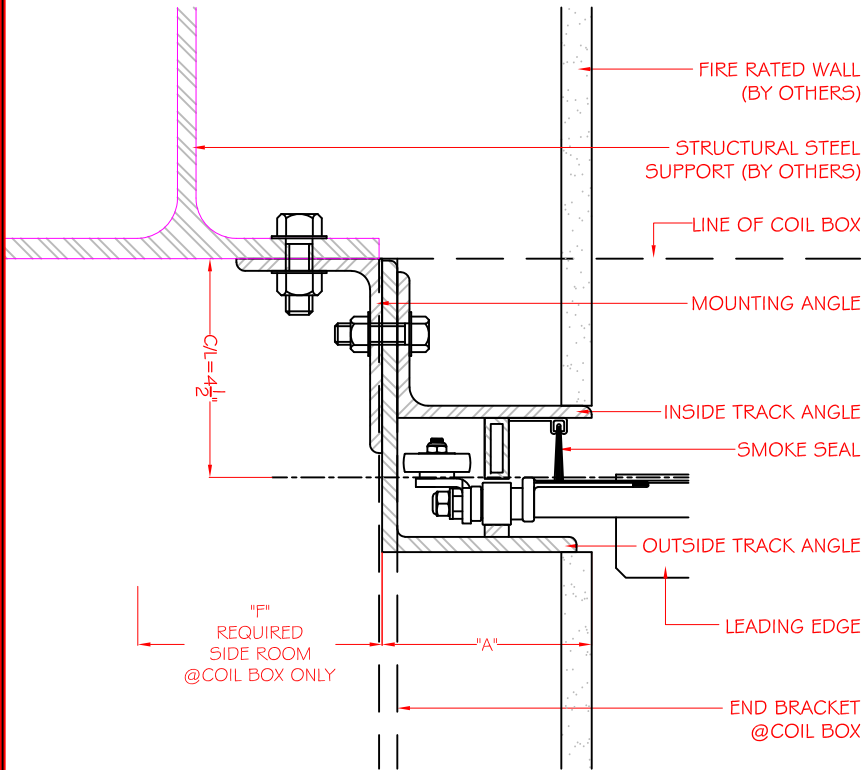


UP TO 19'-6" IN WIDTH



GREATER THAN 19'-6" IN WIDTH

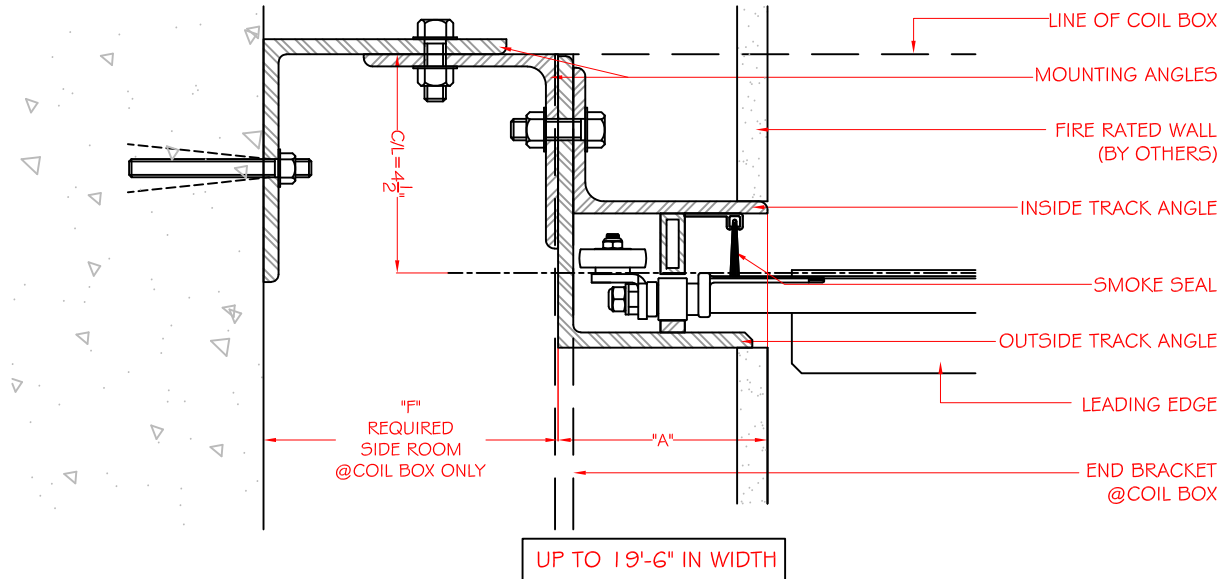
SHUTTER OPENING WIDTH	"A"	"F"
UP TO 12'-0"	4 5/8"	6"
12'-0" TO 18'-0"	5 5/8"	6"
18'-0" TO 30'-0"	6 5/8"	7"



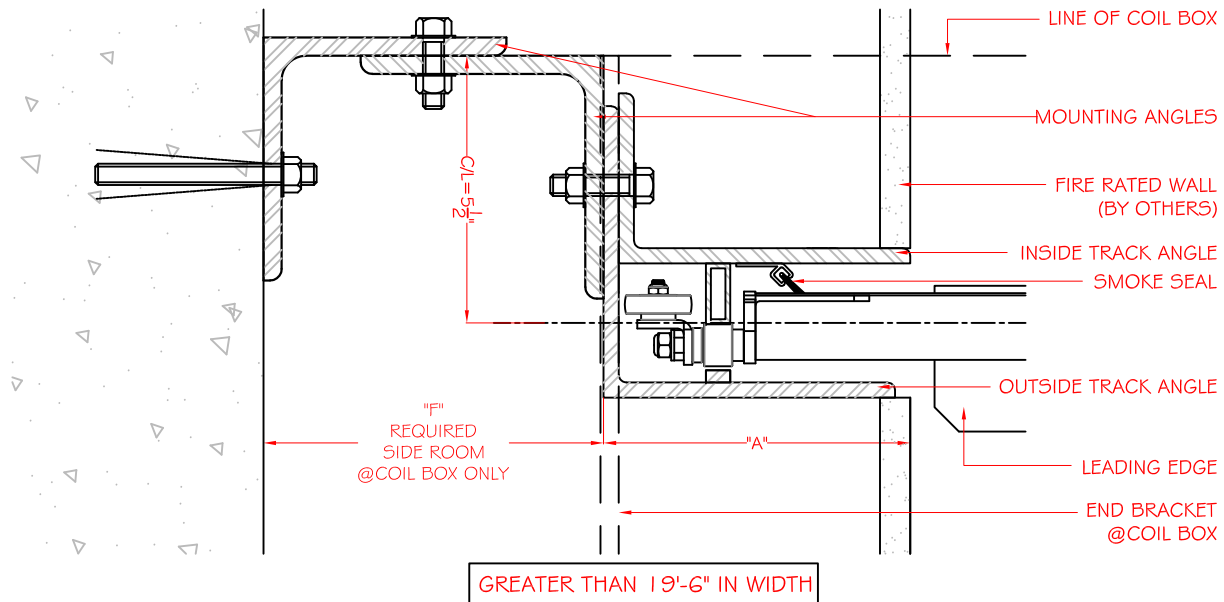
SHUTTER OPENING WIDTH	"A"	"F"
UP TO 12'-0"	4 5/8"	6"
12'-0" TO 18'-0"	5 5/8"	6"
18'-0" TO 30'-0"	6 5/8"	7"

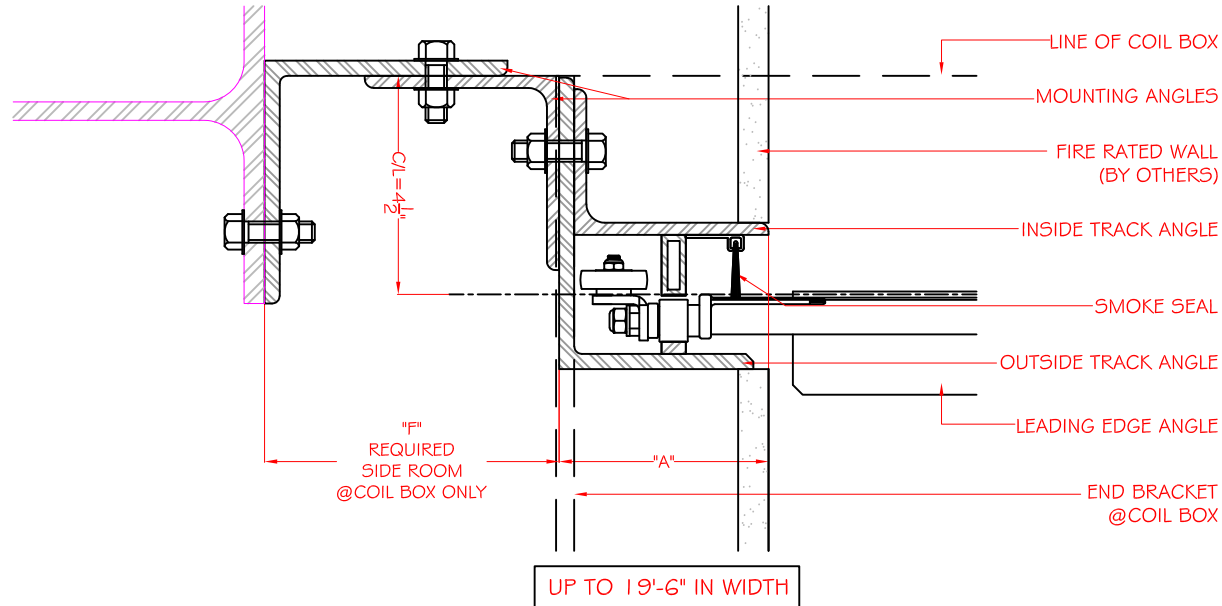
UP TO 19'-6" IN WIDTH

GREATER THAN 19'-6" IN WIDTH

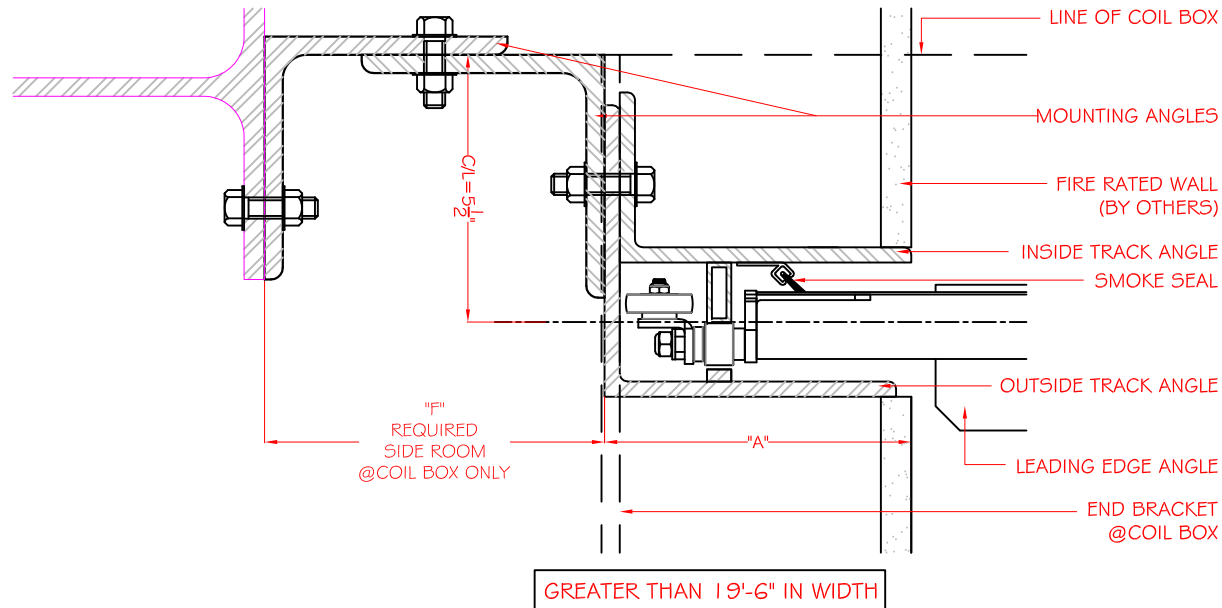


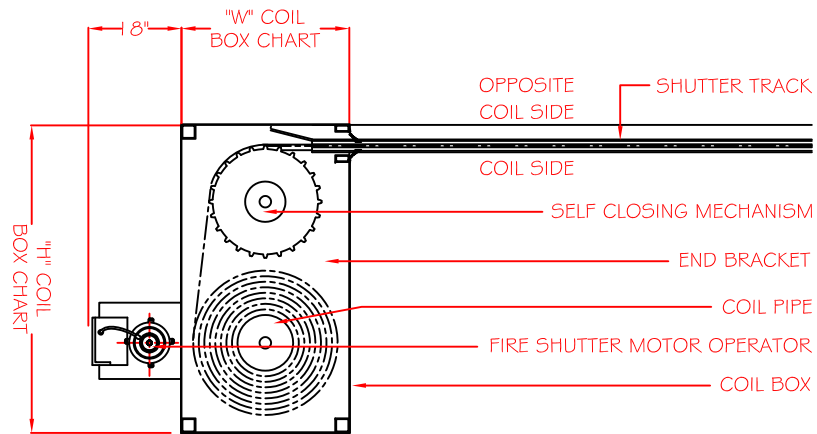
SHUTTER OPENING WIDTH	"A"	"F"
UP TO 12'-0"	4 5/8"	6"
12'-0" TO 18'-0"	5 5/8"	6"
18'-0" TO 30'-0"	6 5/8"	7"





SHUTTER OPENING WIDTH	"A"	"F"
UP TO 12'-0"	4 5/8"	6"
12'-0" TO 18'-0"	5 5/8"	6"
18'-0" TO 30'-0"	6 5/8"	7"

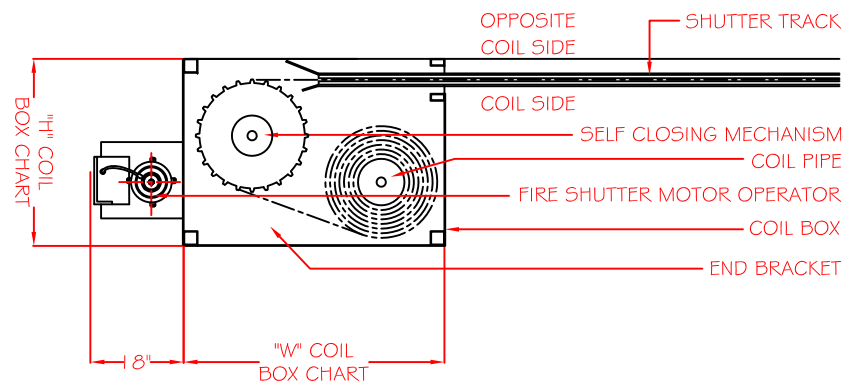




COIL BOX TYPE A

NOTE:

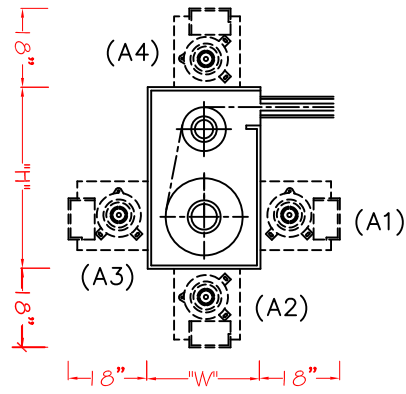
- (A) FOR ADDITIONAL MOTOR LOCATION OPTIONS REFER TO COIL BOX SELECTION CHART;
- (B) COIL BOX MAY BE INVERTED TO THE UP POSITION



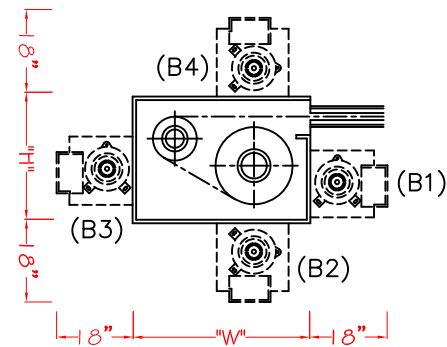
COIL BOX TYPE B

NOTE:

- (A) FOR ADDITIONAL MOTOR LOCATION OPTIONS REFER TO COIL BOX SELECTION CHART;
- (B) COIL BOX MAY BE INVERTED TO THE UP POSITION



TYPE (A)



TYPE (B)

SHUTTER LENGTH		TYPE (A)		TYPE (B)	
FROM	TO	W	H	W	H
--	13'-0"	20"	36"	34"	27"
13'-1"	28'-0"	25"	48"	46"	35"
28'-1"	44'-0"	32"	56"	50"	38"

NOTE:

- A.) COIL BOX SIZE AND CONFIGURATION CAN BE CUSTOMIZED TO FIT SURROUNDING CONDITIONS, IF REQUIRED. CONSULT FACTORY.
- B.) FOR SHUTTERS LONGER THAN 44'-0" OR/AND WIDER THAN 19'-6", CONSULT FACTORY FOR SIZES.