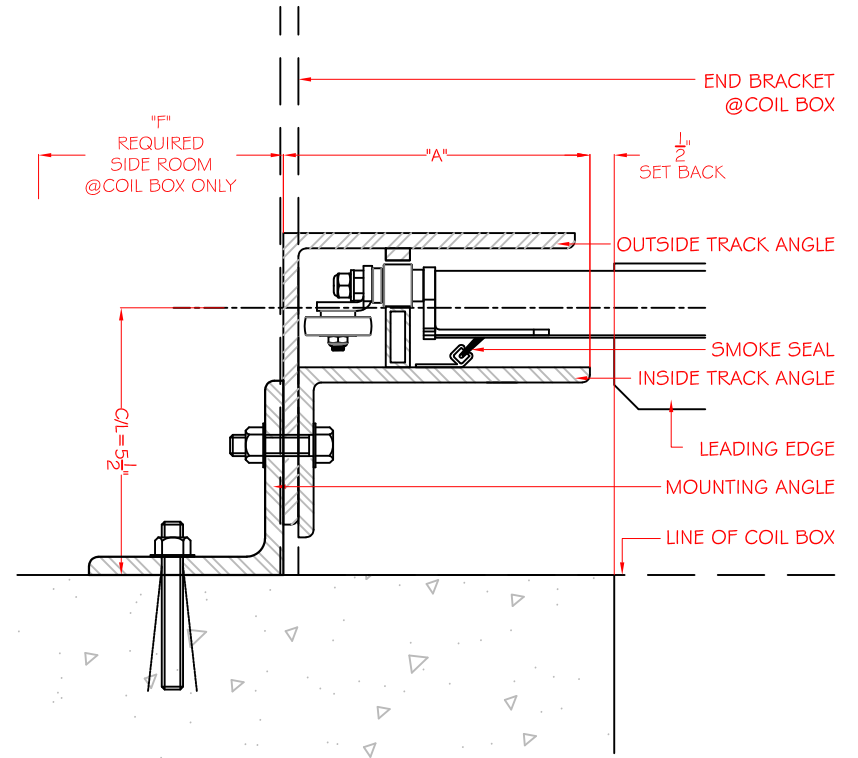
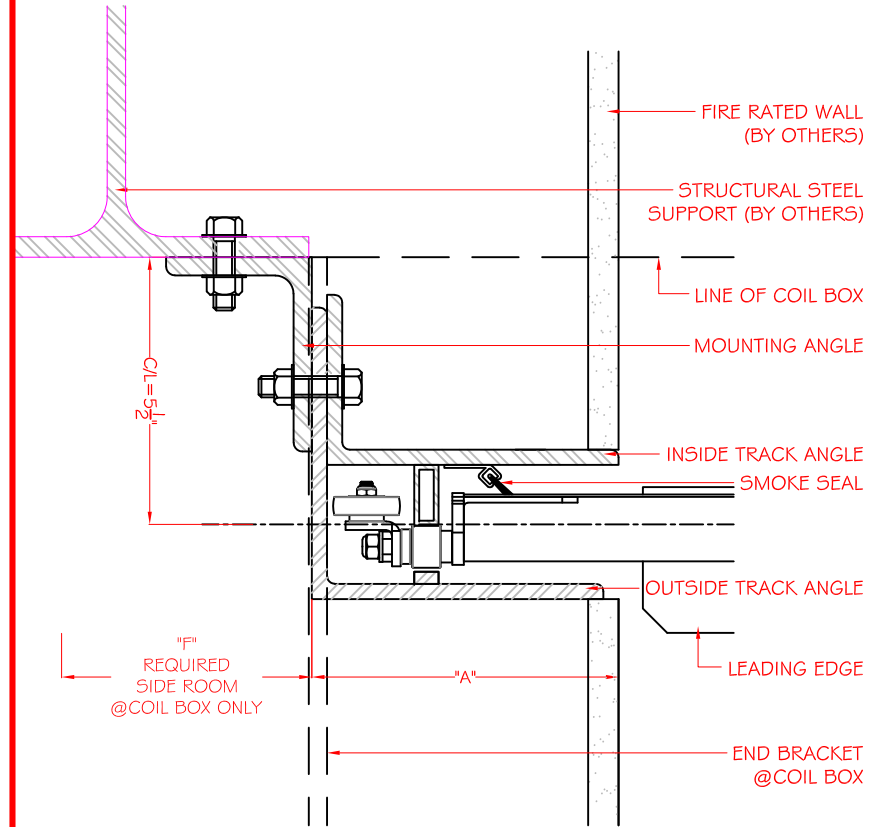
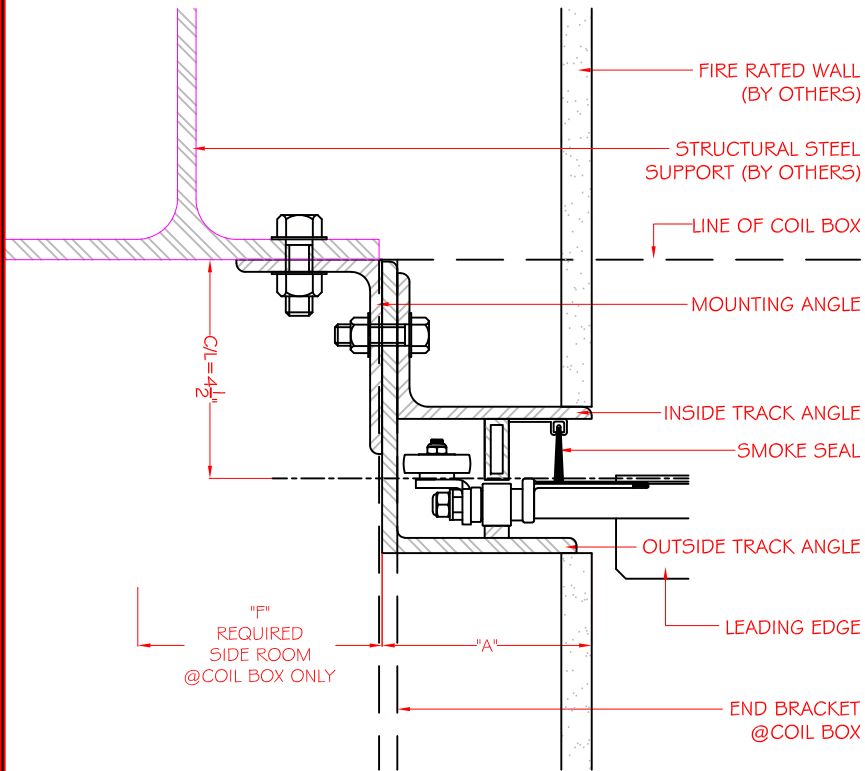


UP TO 19'-6" IN WIDTH



GREATER THAN 19'-6" IN WIDTH

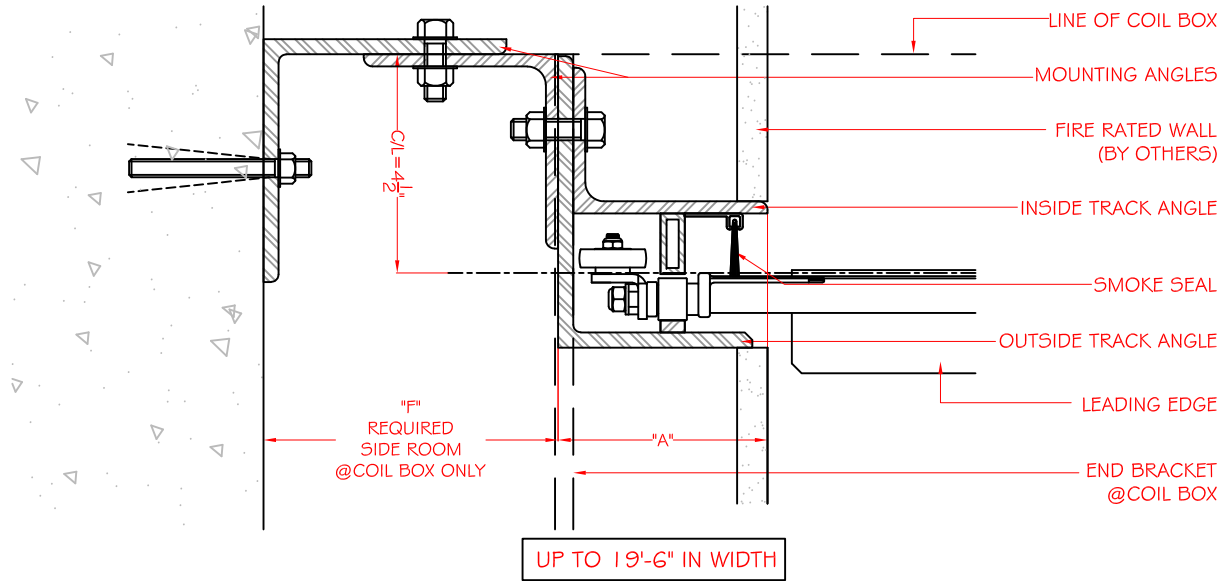
| SHUTTER OPENING WIDTH | "A" | "F" |
|-----------------------|--------|-----|
| UP TO 12'-0" | 4 5/8" | 6" |
| 12'-0" TO 18'-0" | 5 5/8" | 6" |
| 18'-0" TO 30'-0" | 6 5/8" | 7" |



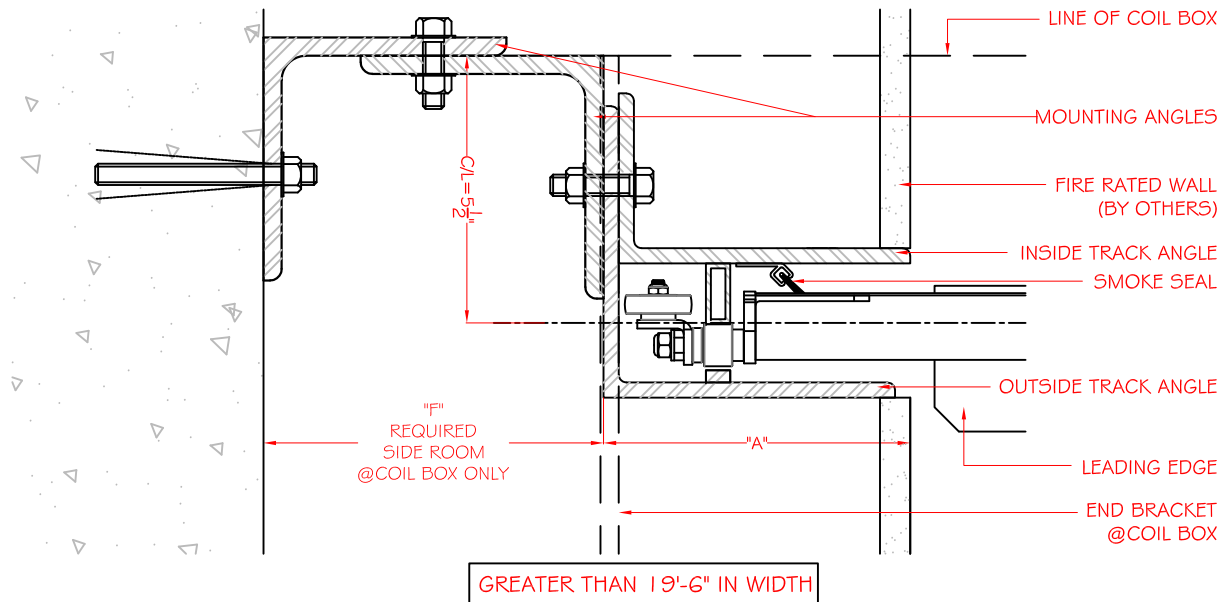
| SHUTTER OPENING WIDTH | "A" | "F" |
|-----------------------|-------------------|-----|
| UP TO 12'-0" | 4 $\frac{5}{8}$ " | 6" |
| 12'-0" TO 18'-0" | 5 $\frac{5}{8}$ " | 6" |
| 18'-0" TO 30'-0" | 6 $\frac{5}{8}$ " | 7" |

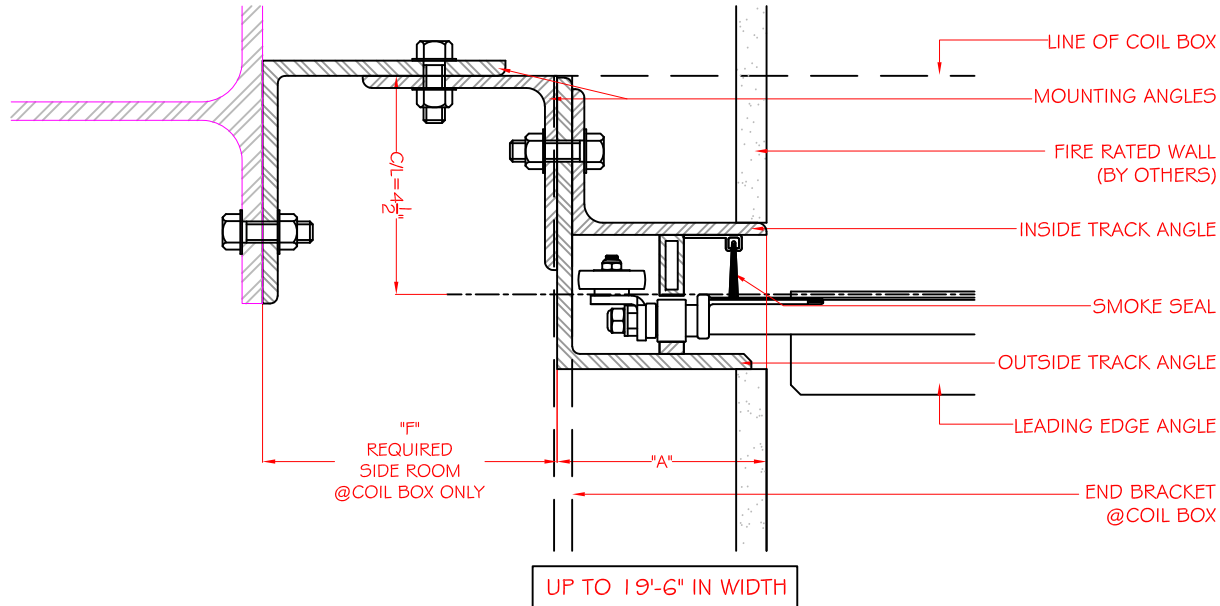
UP TO 19'-6" IN WIDTH

GREATER THAN 19'-6" IN WIDTH

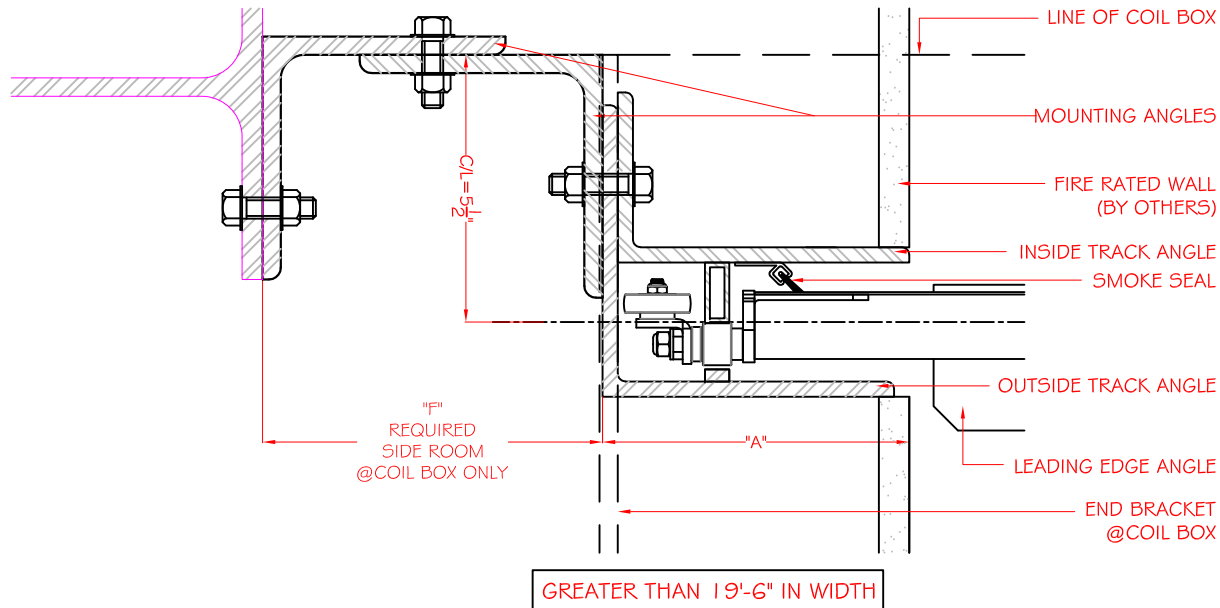


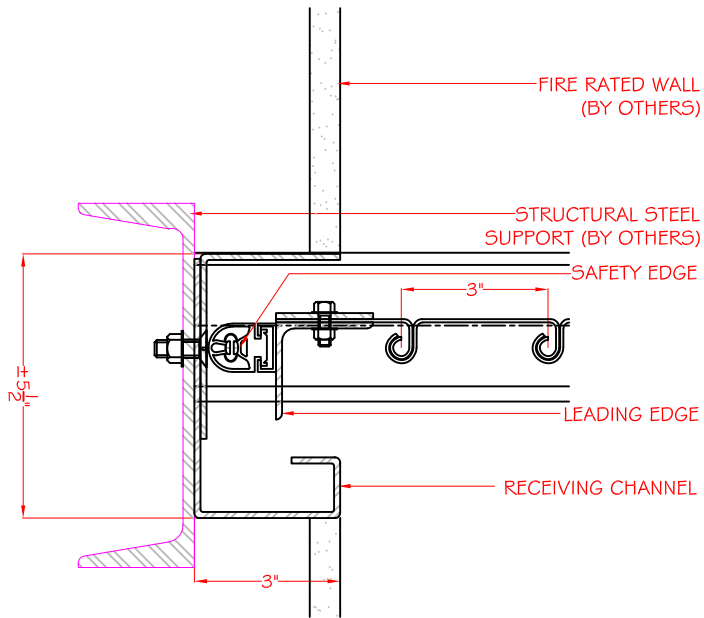
| SHUTTER OPENING WIDTH | "A" | "F" |
|-----------------------|--------|-----|
| UP TO 12'-0" | 4 5/8" | 6" |
| 12'-0" TO 18'-0" | 5 5/8" | 6" |
| 18'-0" TO 30'-0" | 6 5/8" | 7" |



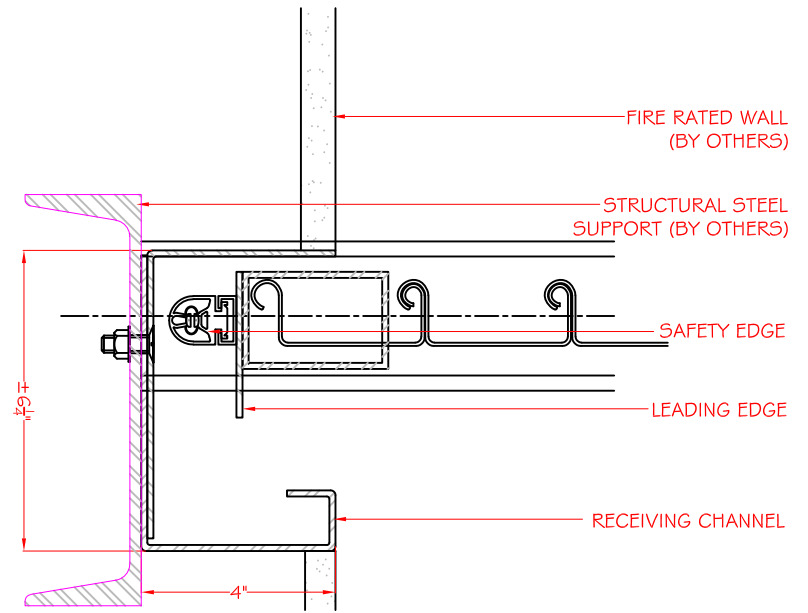


| SHUTTER OPENING WIDTH | "A" | "F" |
|-----------------------|--------|-----|
| UP TO 12'-0" | 4 5/8" | 6" |
| 12'-0" TO 18'-0" | 5 5/8" | 6" |
| 18'-0" TO 30'-0" | 6 5/8" | 7" |

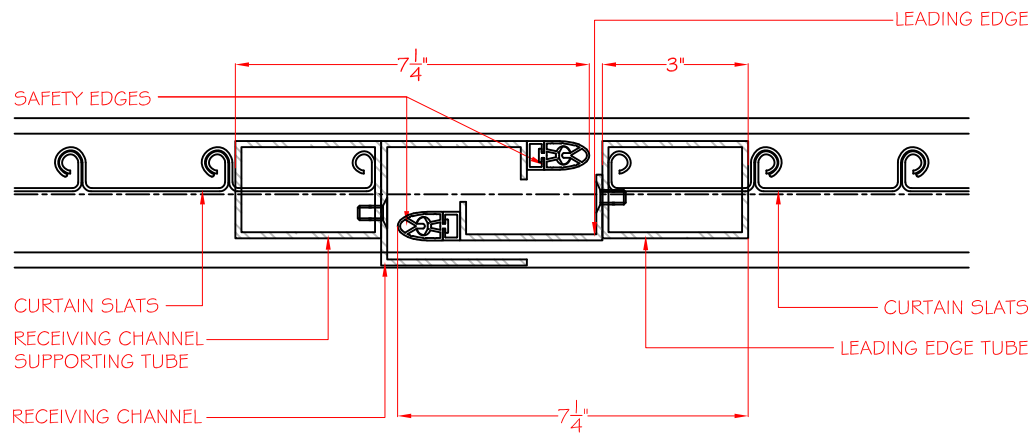




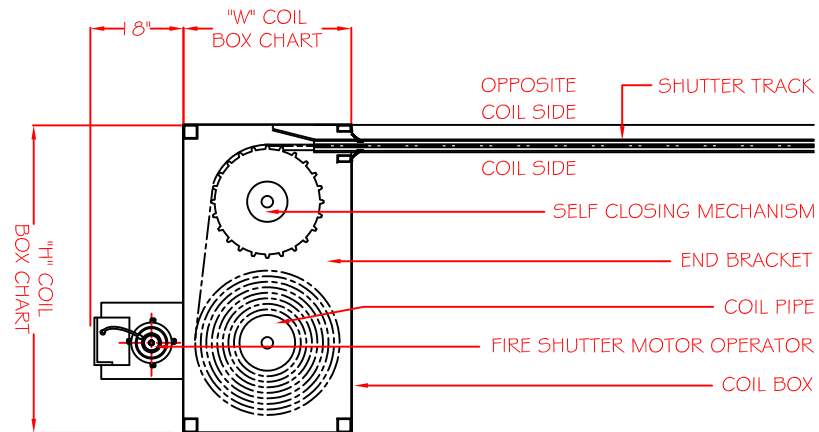
LEADING EDGE/RECEIVING EDGE DETAIL
SINGLE PARTING - UP TO 19'-6" IN WIDTH



LEADING EDGE/RECEIVING EDGE DETAIL
SINGLE PARTING - GREATER THAN 19'-6" IN WIDTH



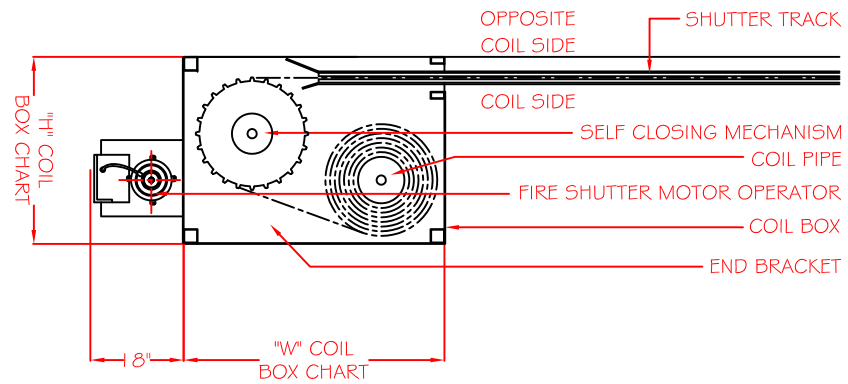
LEADING EDGE / RECEIVING EDGE DETAIL
BI-PARTING



COIL BOX TYPE A

NOTE:

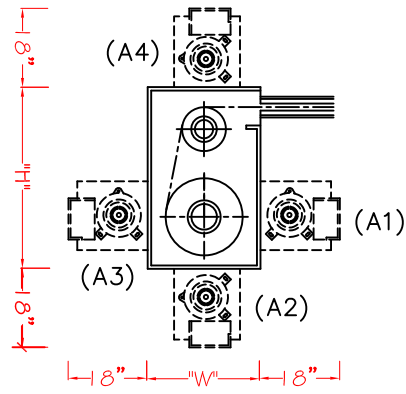
- (A) FOR ADDITIONAL MOTOR LOCATION OPTIONS REFER TO COIL BOX SELECTION CHART;
- (B) COIL BOX MAY BE INVERTED TO THE UP POSITION



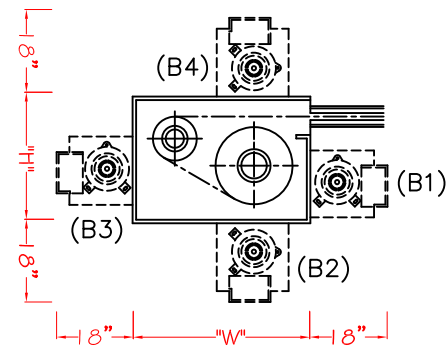
COIL BOX TYPE B

NOTE:

- (A) FOR ADDITIONAL MOTOR LOCATION OPTIONS REFER TO COIL BOX SELECTION CHART;
- (B) COIL BOX MAY BE INVERTED TO THE UP POSITION



TYPE (A)



TYPE (B)

| SHUTTER LENGTH | | TYPE (A) | | TYPE (B) | |
|----------------|--------|----------|-----|----------|-----|
| FROM | TO | W | H | W | H |
| -- | 13'-0" | 20" | 36" | 34" | 27" |
| 13'-1" | 28'-0" | 25" | 48" | 46" | 35" |
| 28'-1" | 44'-0" | 32" | 56" | 50" | 38" |

NOTE:

- A.) COIL BOX SIZE AND CONFIGURATION CAN BE CUSTOMIZED TO FIT SURROUNDING CONDITIONS, IF REQUIRED. CONSULT FACTORY.
- B.) FOR SHUTTERS LONGER THAN 44'-0" OR/AND WIDER THAN 19'-6", CONSULT FACTORY FOR SIZES.