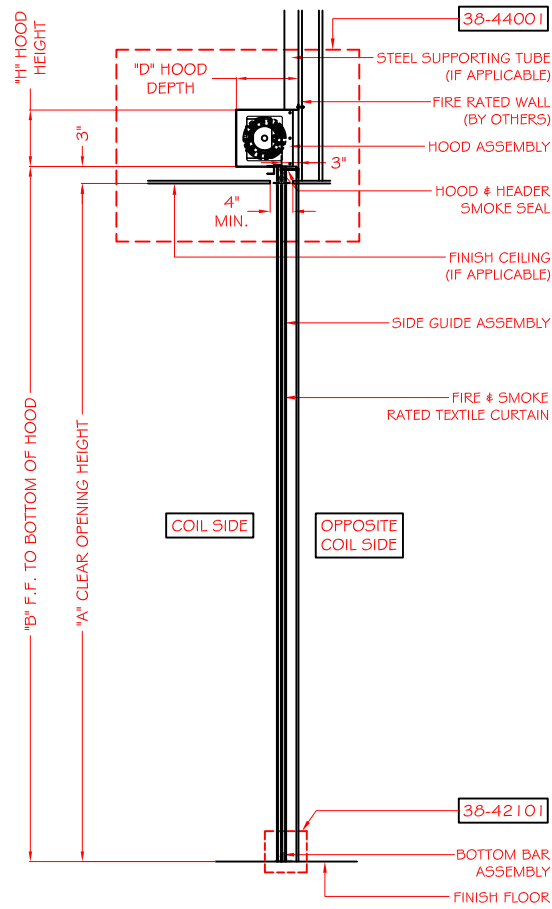
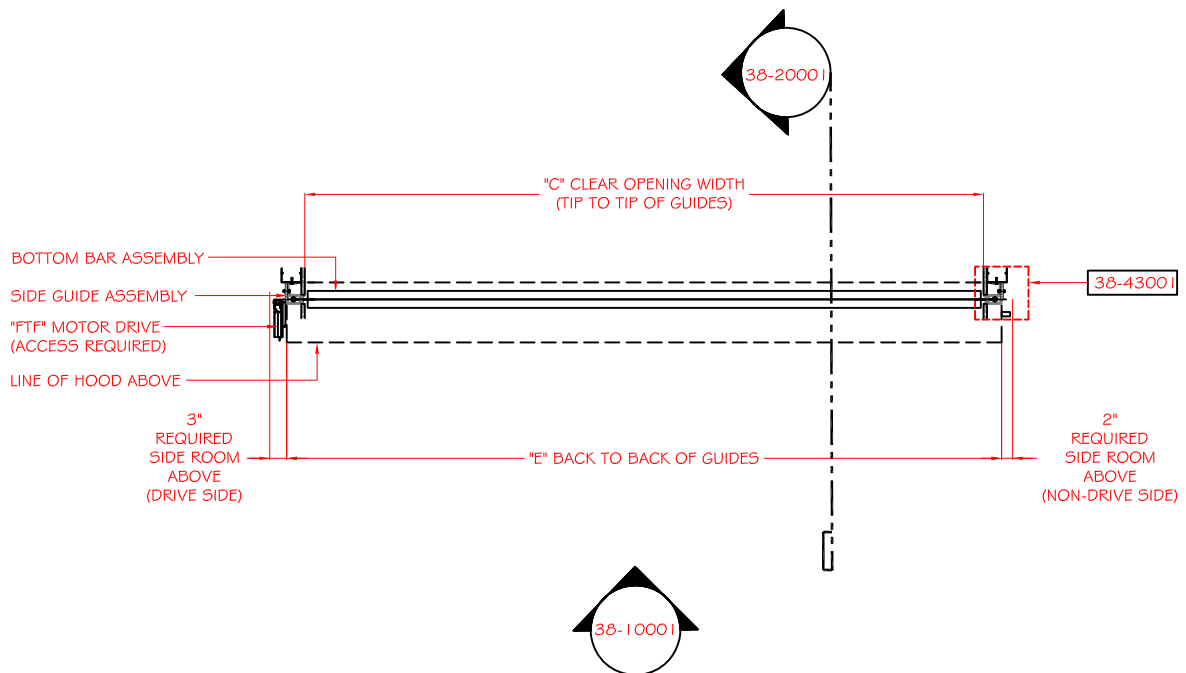


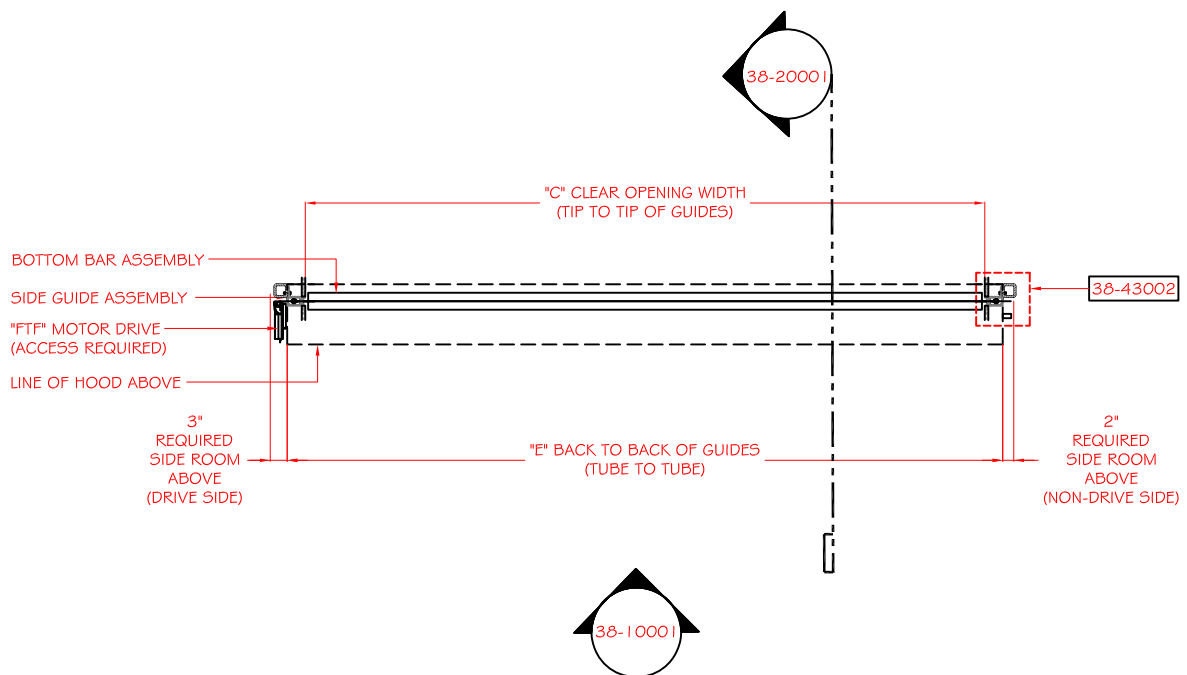
ELEVATION



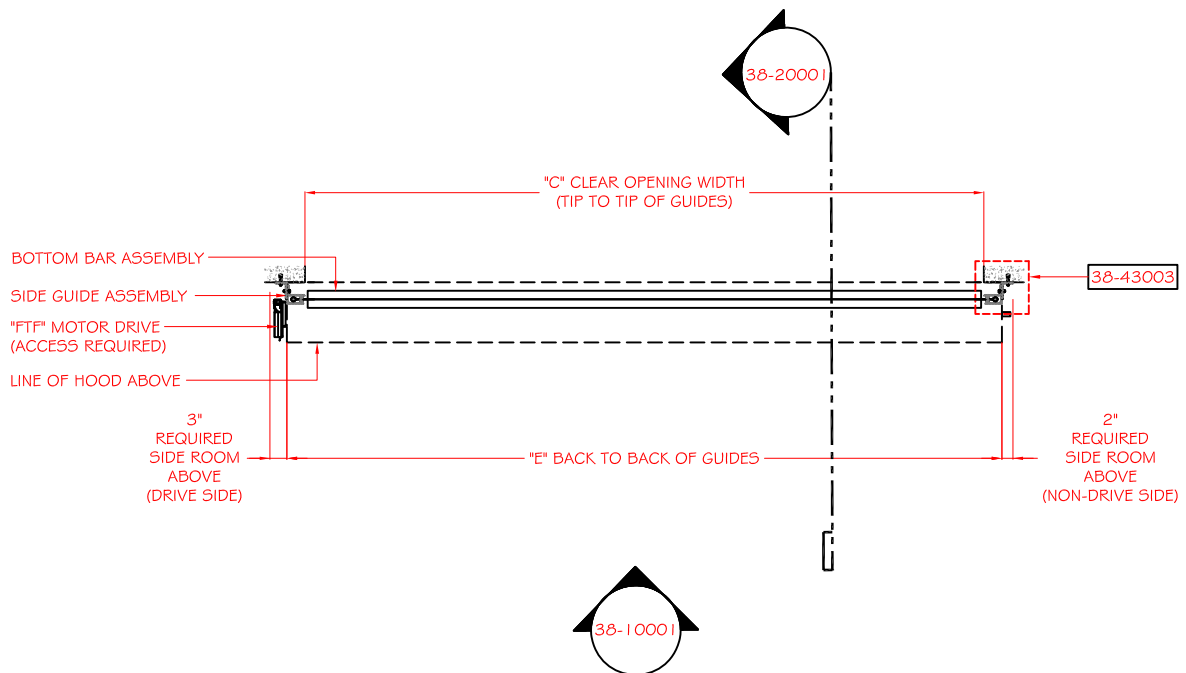
SECTION



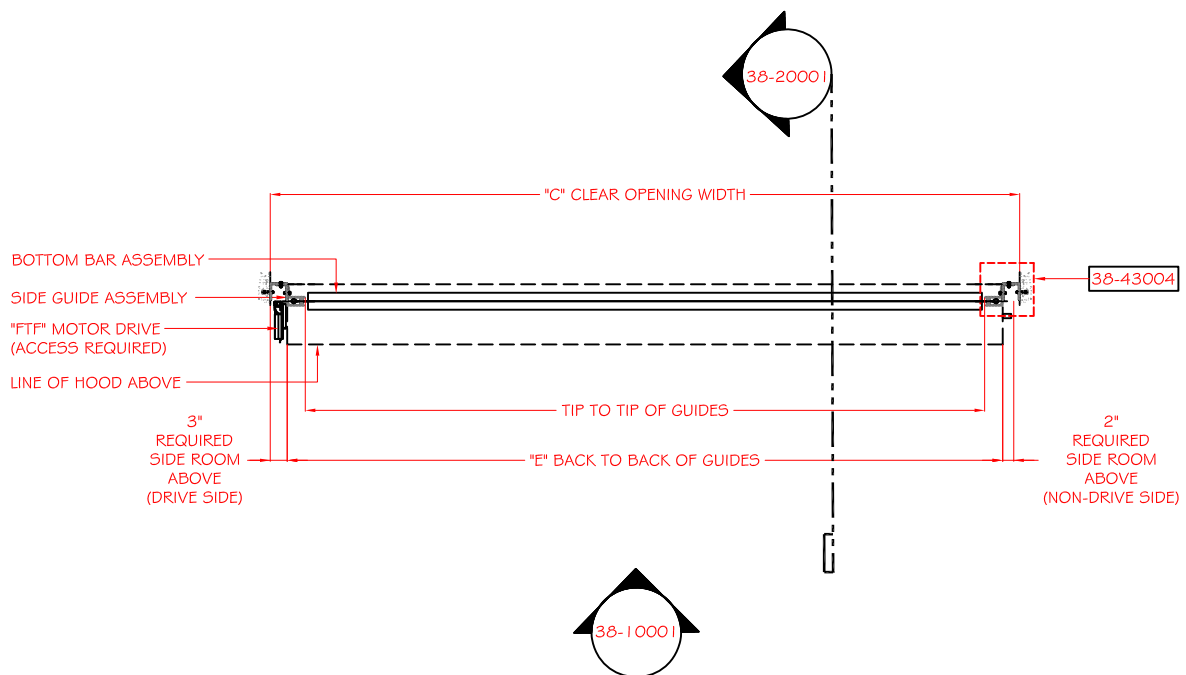
PLAN
(FACE OF WALL - DRYWALL APPLICATION)



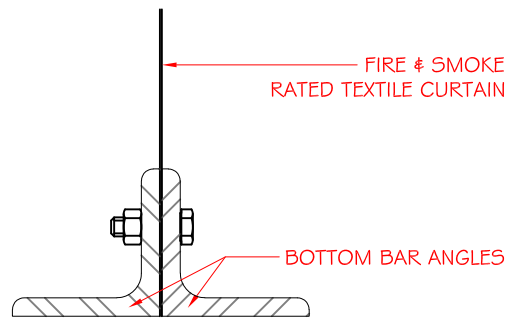
PLAN
(BETWEEN JAMB - DRYWALL APPLICATION)



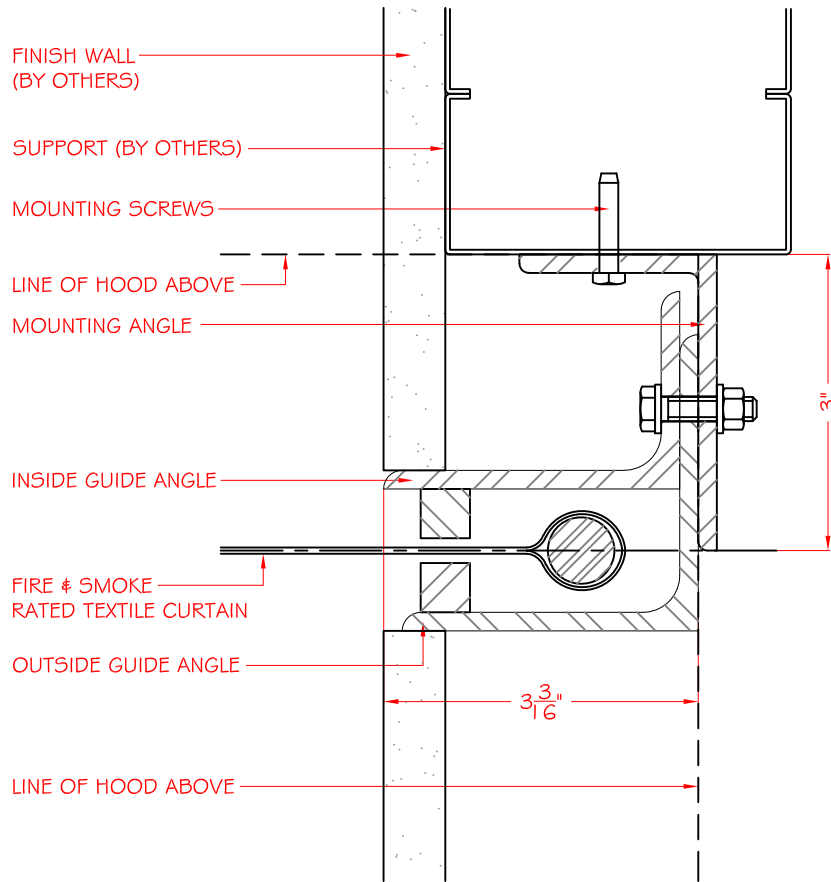
PLAN
(FACE OF WALL - MASONRY APPLICATION)



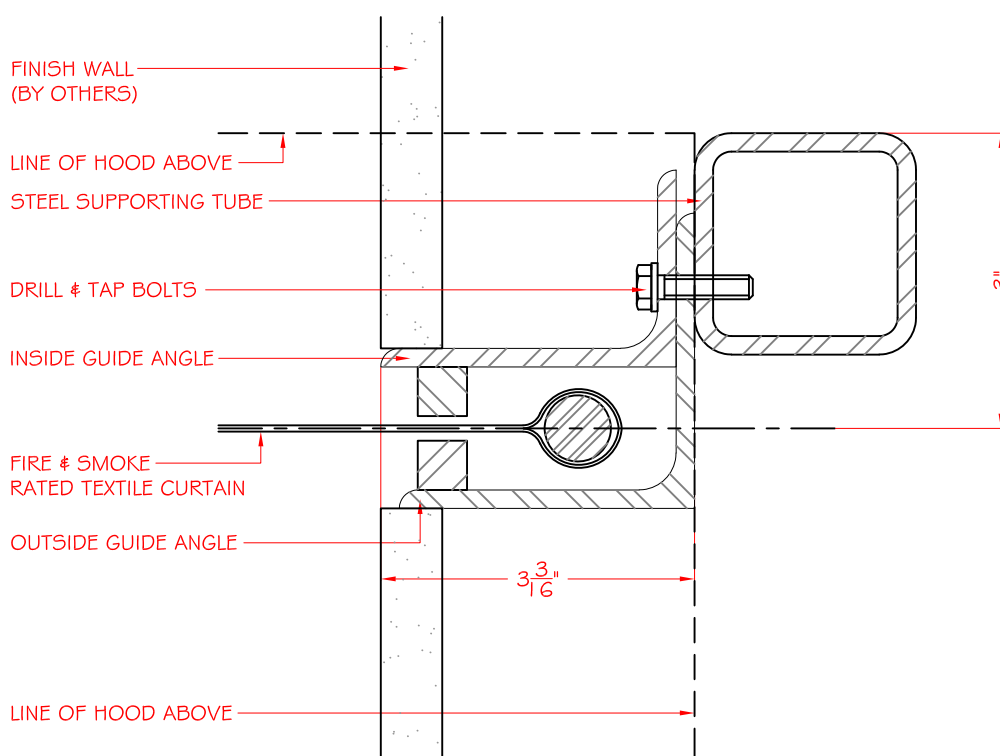
PLAN
(BETWEEN JAMB- MASONRY APPLICATION)



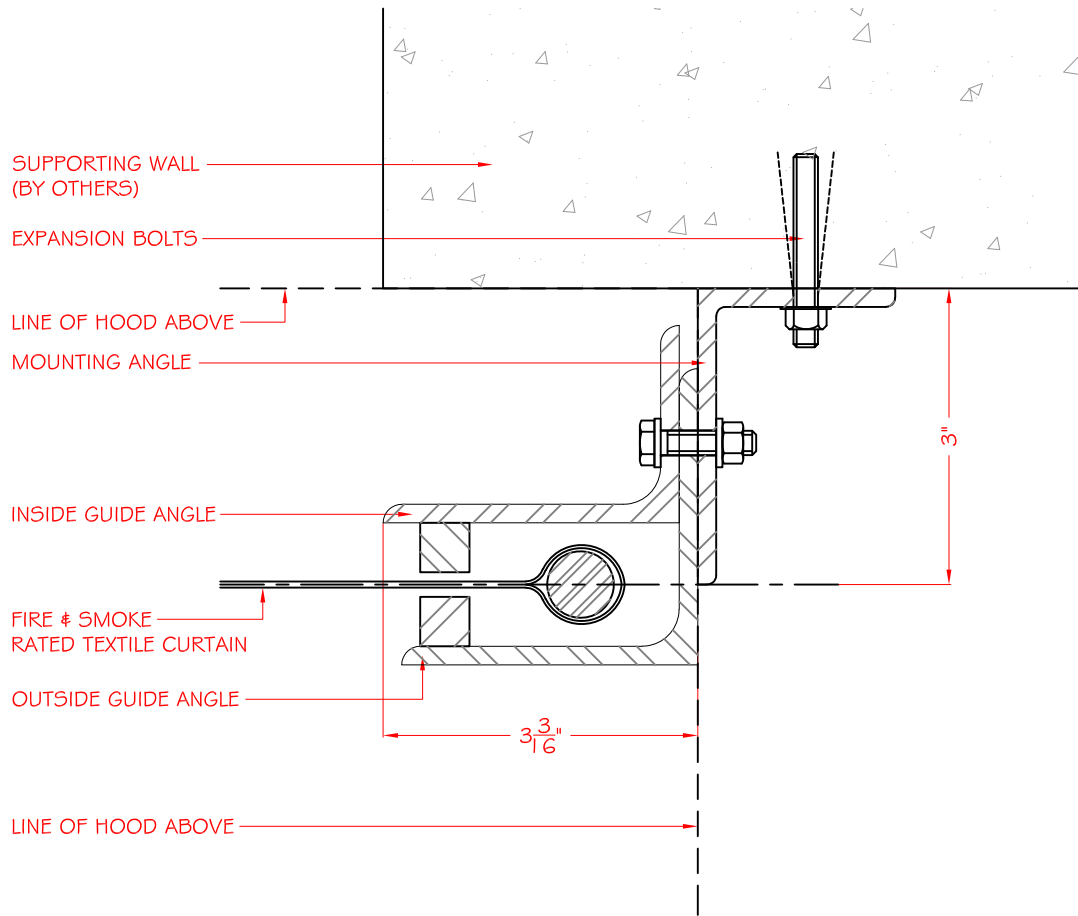
BOTTOM BAR ASSEMBLY DETAIL



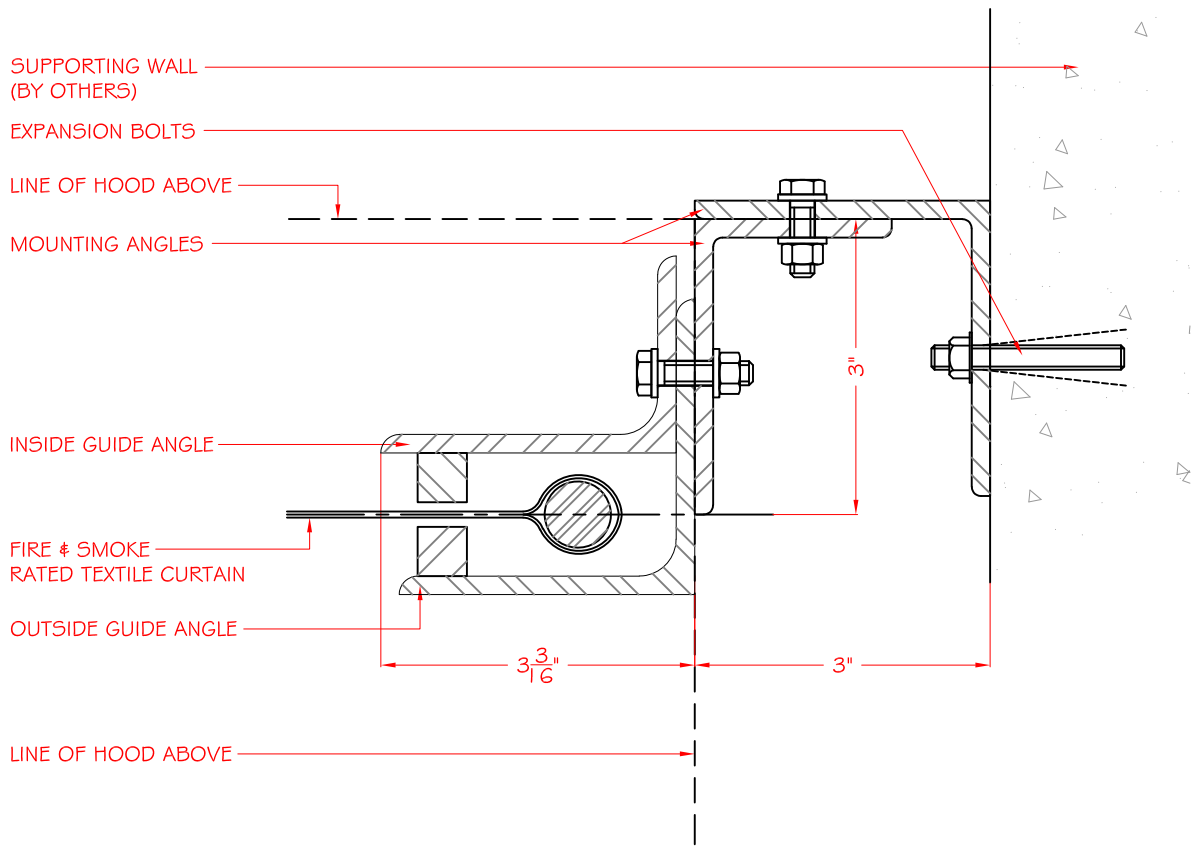
GUIDE ASSEMBLY - FACE MOUNTED
(DRYWALL APPLICATION)



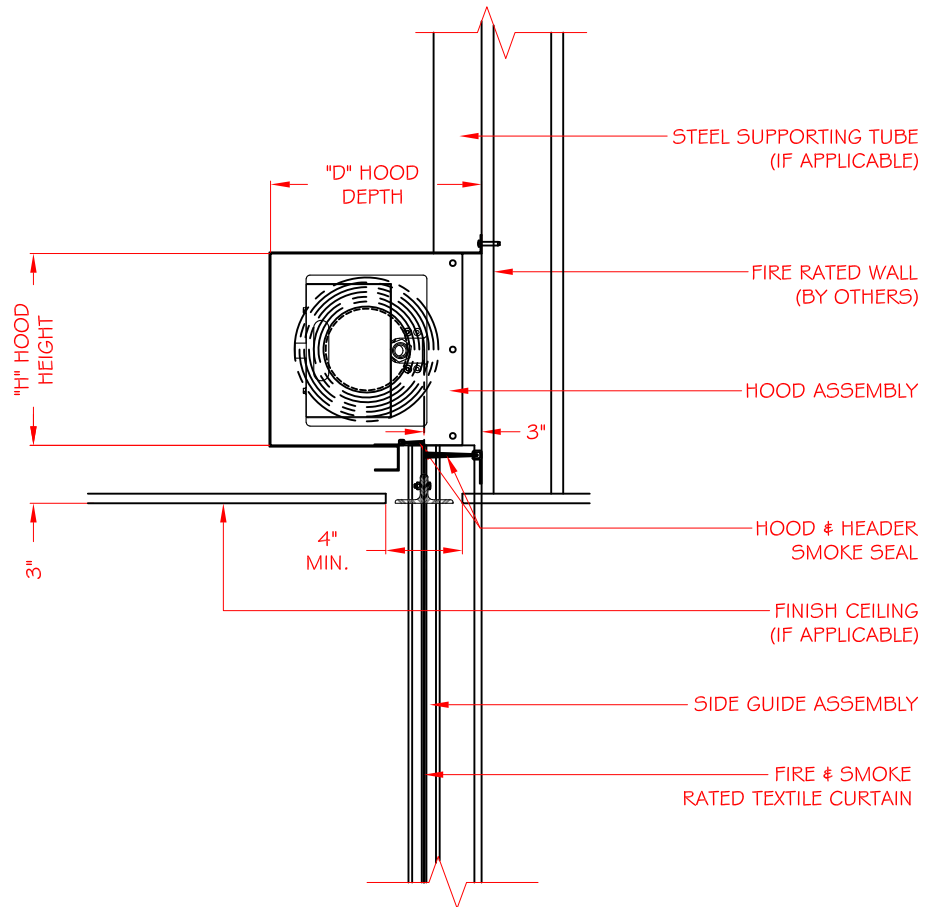
GUIDE ASSEMBLY - BETWEEN JAMB MOUNTED
(DRYWALL APPLICATION)



GUIDE ASSEMBLY - FACE MOUNTED
(MASONRY APPLICATION)

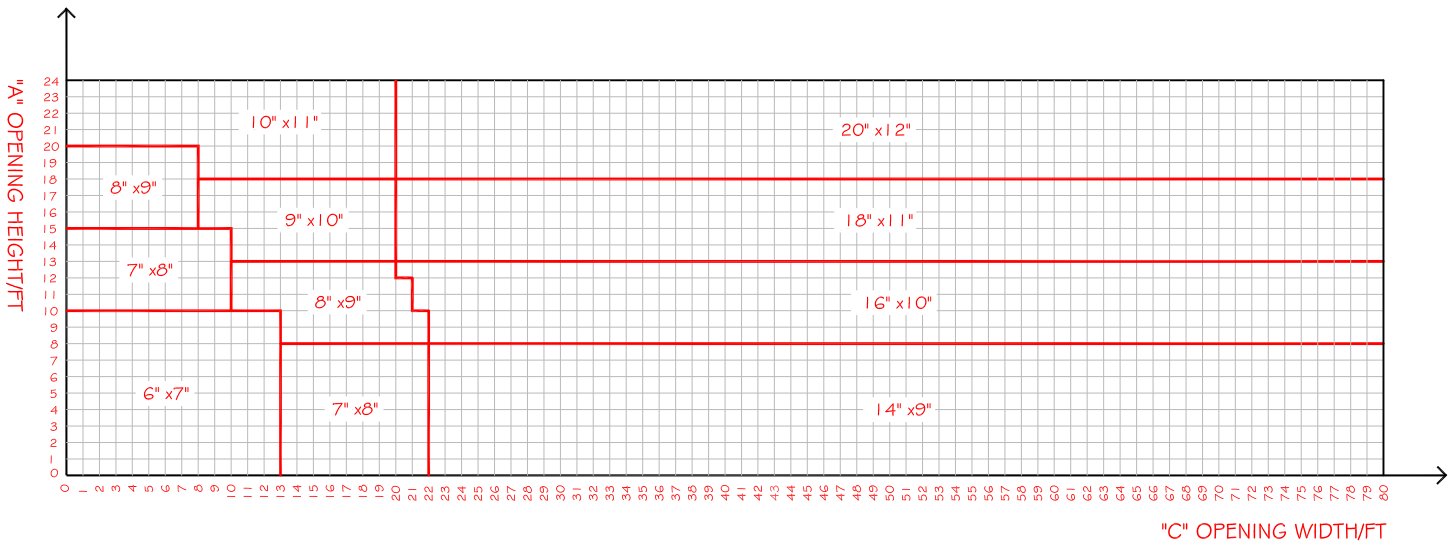


GUIDE ASSEMBLY - BETWEEN JAMB MOUNTED
(MASONRY APPLICATION)



HOOD ASSEMBLY

NOTE:
- REFER TO HOOD SELECTION CHART FOR APPLICABLE SIZE.



HOOD SELECTION CHART

NOTE:
- FOR DOORS GREATER THAN 80' IN WIDTH PLEASE CONSULT FACTORY.